



US00D855116S

(12) **United States Design Patent**
Desberg et al.

(10) **Patent No.:** **US D855,116 S**
(45) **Date of Patent:** **** Jul. 30, 2019**

(54) **PERSONAL MOBILITY VEHICLE**
(71) Applicant: **RAZOR USA LLC**, Cerritos, CA (US)
(72) Inventors: **Ian Desberg**, Cerritos, CA (US); **Nari Cho**, Cerritos, CA (US); **William Griggs**, Cerritos, CA (US)
(73) Assignee: **RAZOR USA LLC**, Cerritos, CA (US)
(**) Term: **15 Years**

D540,400 S * 4/2007 Starr D21/423
D553,198 S * 10/2007 Atri D21/435
7,549,655 B2 6/2009 Fan
7,681,895 B2 3/2010 Chen
D630,158 S * 1/2011 Jessie, Jr. D12/423
7,926,825 B2 4/2011 Chen
D654,542 S * 2/2012 Chiu D21/423
8,128,109 B2 3/2012 Chen
D710,950 S * 8/2014 Grout D21/424
8,807,581 B2 8/2014 Liao
(Continued)

(21) Appl. No.: **29/617,206**
(22) Filed: **Sep. 12, 2017**
(51) **LOC (11) Cl.** **21-01**
(52) **U.S. Cl.**
USPC **D21/424; D21/435**
(58) **Field of Classification Search**
USPC D12/14, 86, 87, 93, 159, 222; D21/424,
D21/435, 495, 548, 549, 550, 552, 559,
D21/561, 562
CPC A63H 30/04; A63H 17/26; A63H 17/262;
A63H 17/264; A63H 17/266; A63H
17/36; A63H 17/38; A63H 29/00; A63H
29/22; A63H 29/24; B62D 21/00; B62D
21/02; B62D 21/03; B62D 21/10; B62D
21/183; B62D 39/00; B60Q 1/0483;
B60K 7/0007
See application file for complete search history.

FOREIGN PATENT DOCUMENTS

FR 2 689 082 A1 10/1993
JP 2003-532571 11/2003
(Continued)

Primary Examiner — Robin V Webster
Assistant Examiner — Keith J Wilson
(74) *Attorney, Agent, or Firm* — Knobbe Martens Olson
& Bear, LLP

(57) **CLAIM**

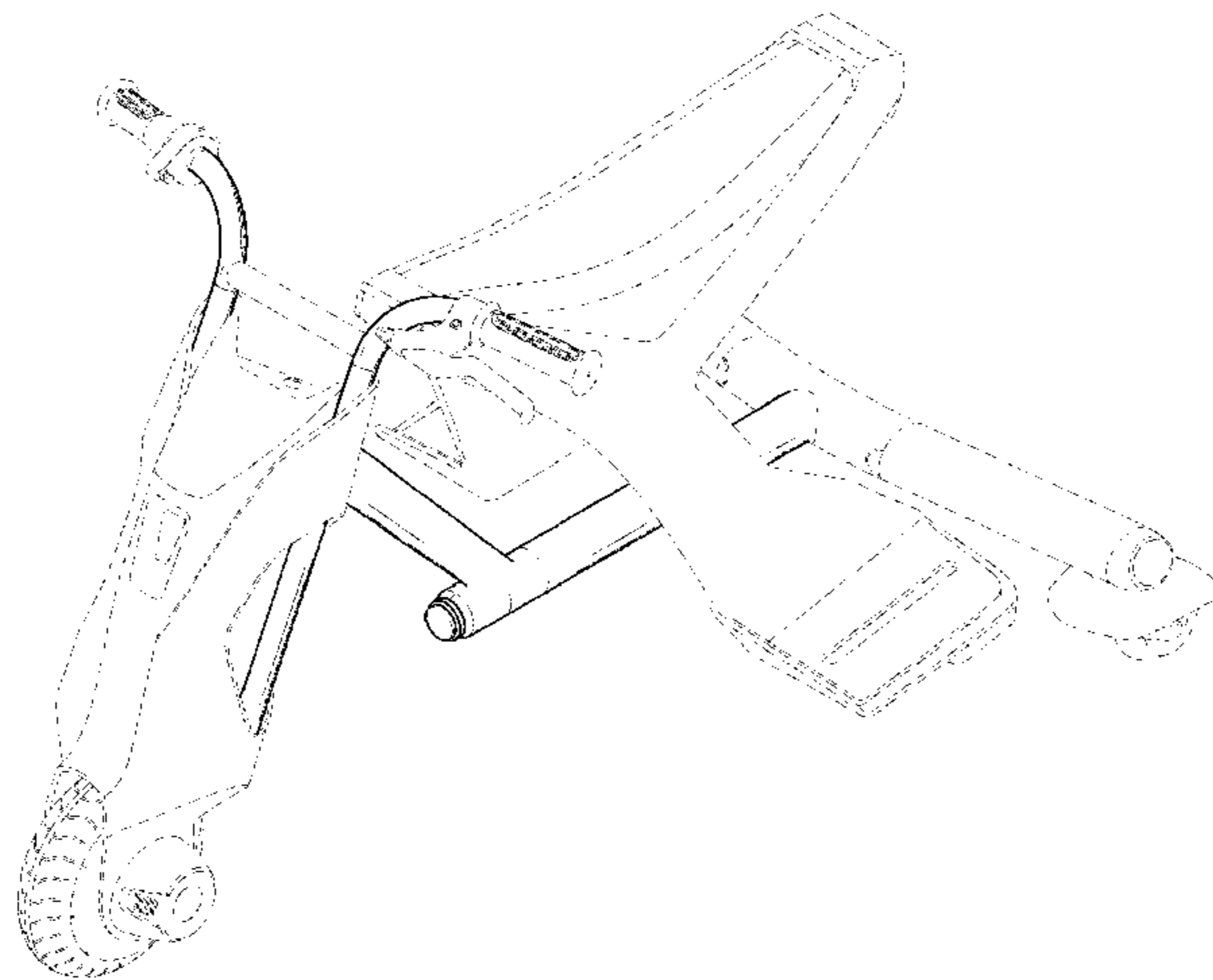
The ornamental design for a personal mobility vehicle, as shown and described.

DESCRIPTION

FIG. 1 is a front, top, and left side perspective view of a personal mobility vehicle of our design;
FIG. 2 is a rear, top, and right side perspective view thereof;
FIG. 3 is a front view thereof;
FIG. 4 is a rear view thereof;
FIG. 5 is a right side view thereof;
FIG. 6 is a left side view thereof;
FIG. 7 is a top view thereof; and,
FIG. 8 is a bottom view thereof.
All features illustrated in broken lines form no part of the claimed design.

(56) **References Cited**
U.S. PATENT DOCUMENTS
4,071,261 A 1/1978 Winchell
4,087,106 A 5/1978 Winchell
4,123,079 A 10/1978 Biskup
4,165,093 A 8/1979 Biskup
4,540,192 A 9/1985 Shelton
5,039,121 A 8/1991 Holter
5,551,717 A * 9/1996 De Courcey Milne
A63C 17/01
280/11.27
6,531,838 B2 3/2003 Parks
6,976,687 B2 12/2005 Beleski, Jr.

1 Claim, 8 Drawing Sheets



(56)

References Cited

U.S. PATENT DOCUMENTS

D745,608 S * 12/2015 Xu D21/423
D746,924 S * 1/2016 Delgatty D21/423
D787,378 S * 5/2017 Ostergaard D12/112
9,643,679 B2 5/2017 Desberg et al.
D828,233 S * 9/2018 Fitzwater D12/112
2002/0063406 A1 5/2002 Feng
2002/0063411 A1 5/2002 Feng
2003/0188906 A1 10/2003 Bank
2004/0094925 A1 5/2004 Chuang
2010/0234186 A1 9/2010 Fan
2011/0031709 A1 2/2011 Kim et al.
2011/0089656 A1 4/2011 Chiu et al.
2011/0298193 A1 12/2011 Fan
2012/0043733 A1 2/2012 Tsai
2014/0070508 A1 3/2014 Yamabe
2015/0266530 A1 9/2015 O'Connell
2017/0029060 A1 2/2017 Kim
2017/0313375 A1 11/2017 Lee
2017/0361892 A1 12/2017 O'Rourke
2018/0072366 A1 3/2018 Kama et al.
2018/0154969 A1 6/2018 Desberg et al.

FOREIGN PATENT DOCUMENTS

JP 3157958 3/2010
JP 2002-325878 11/2012
KR 200 438 635 2/2008
KR 2010 0007115 1/2010
WO WO 2009/041933 4/2009
WO WO 2016/130587 8/2016

* cited by examiner

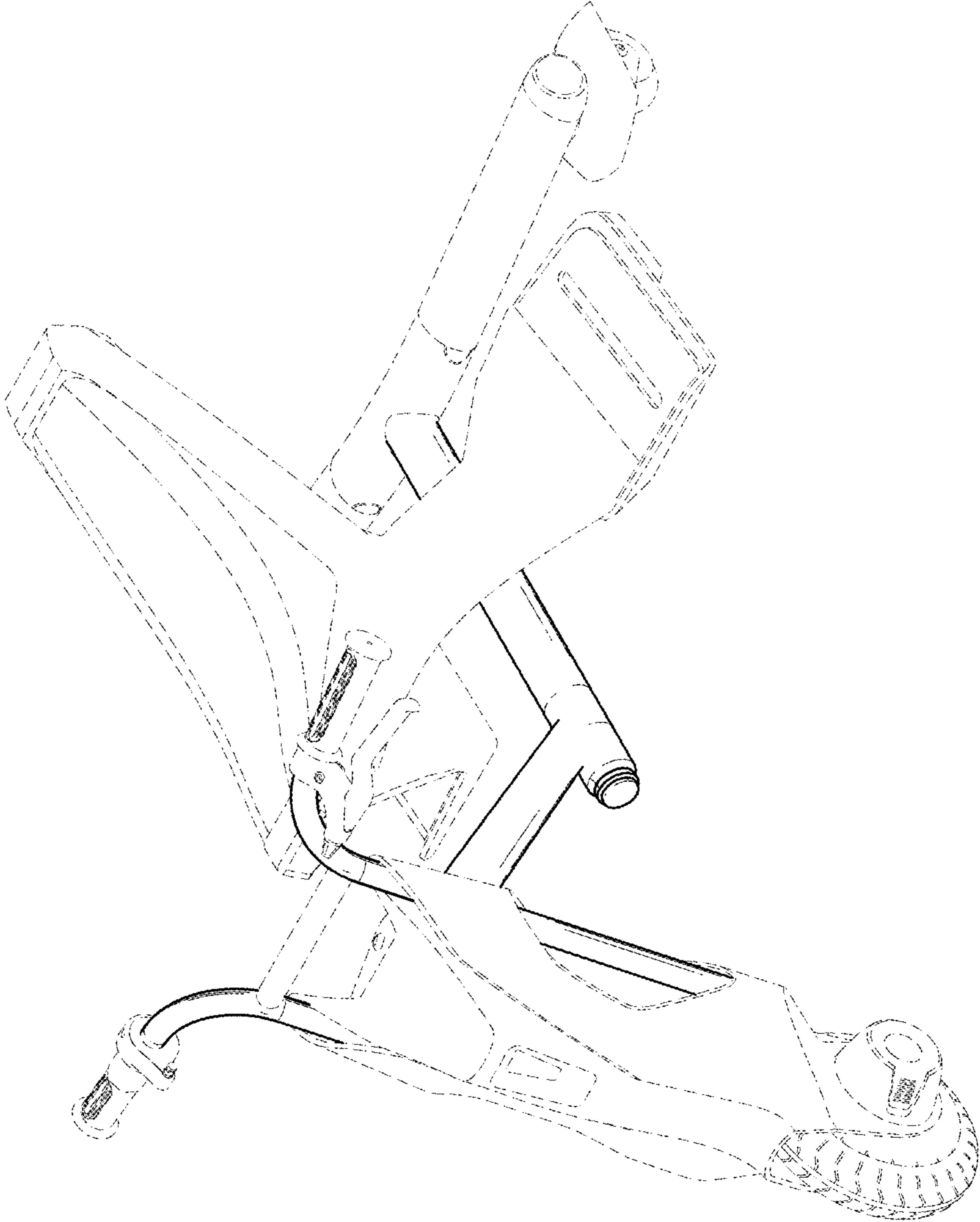


FIG. 1

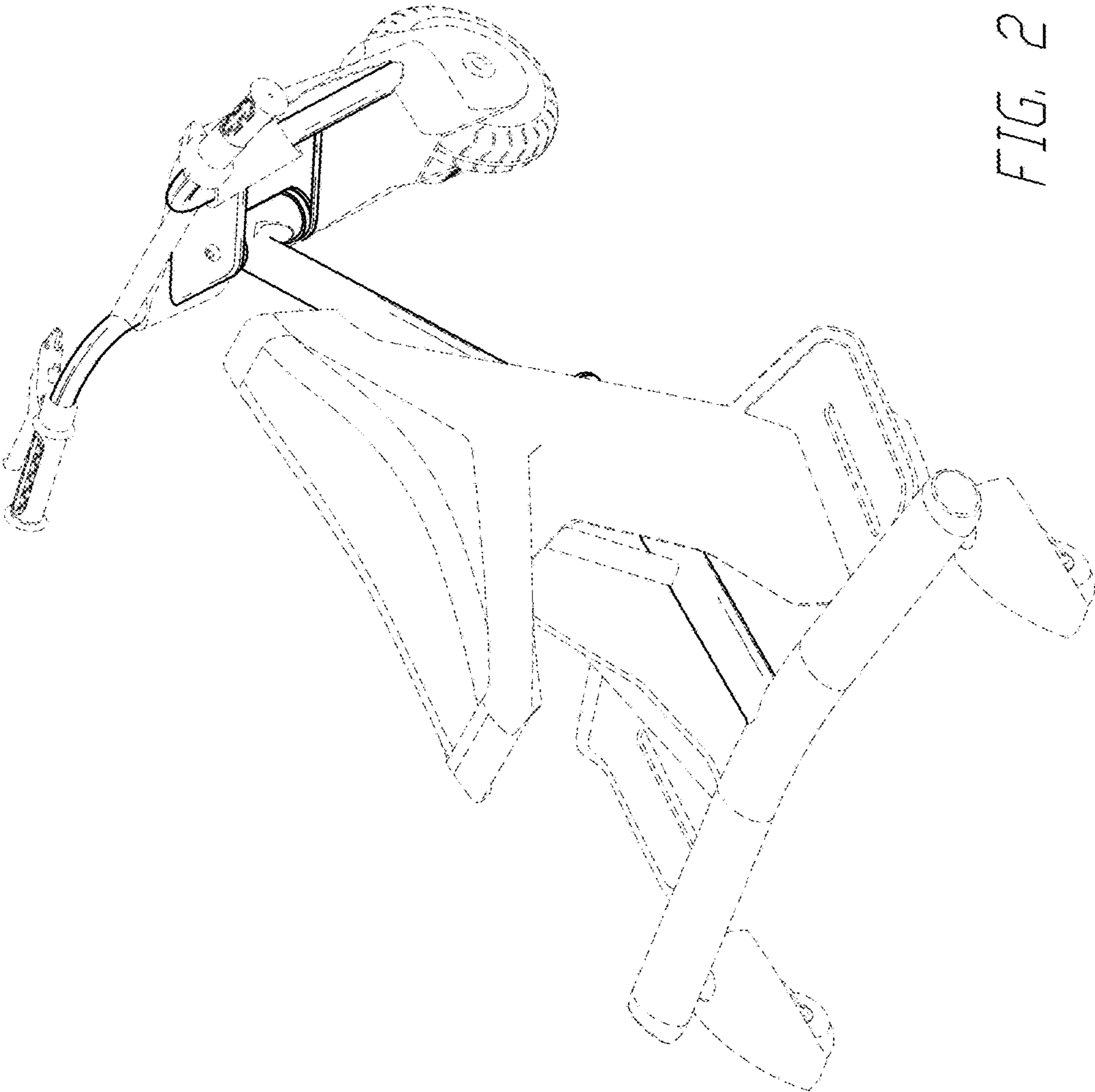


FIG. 2

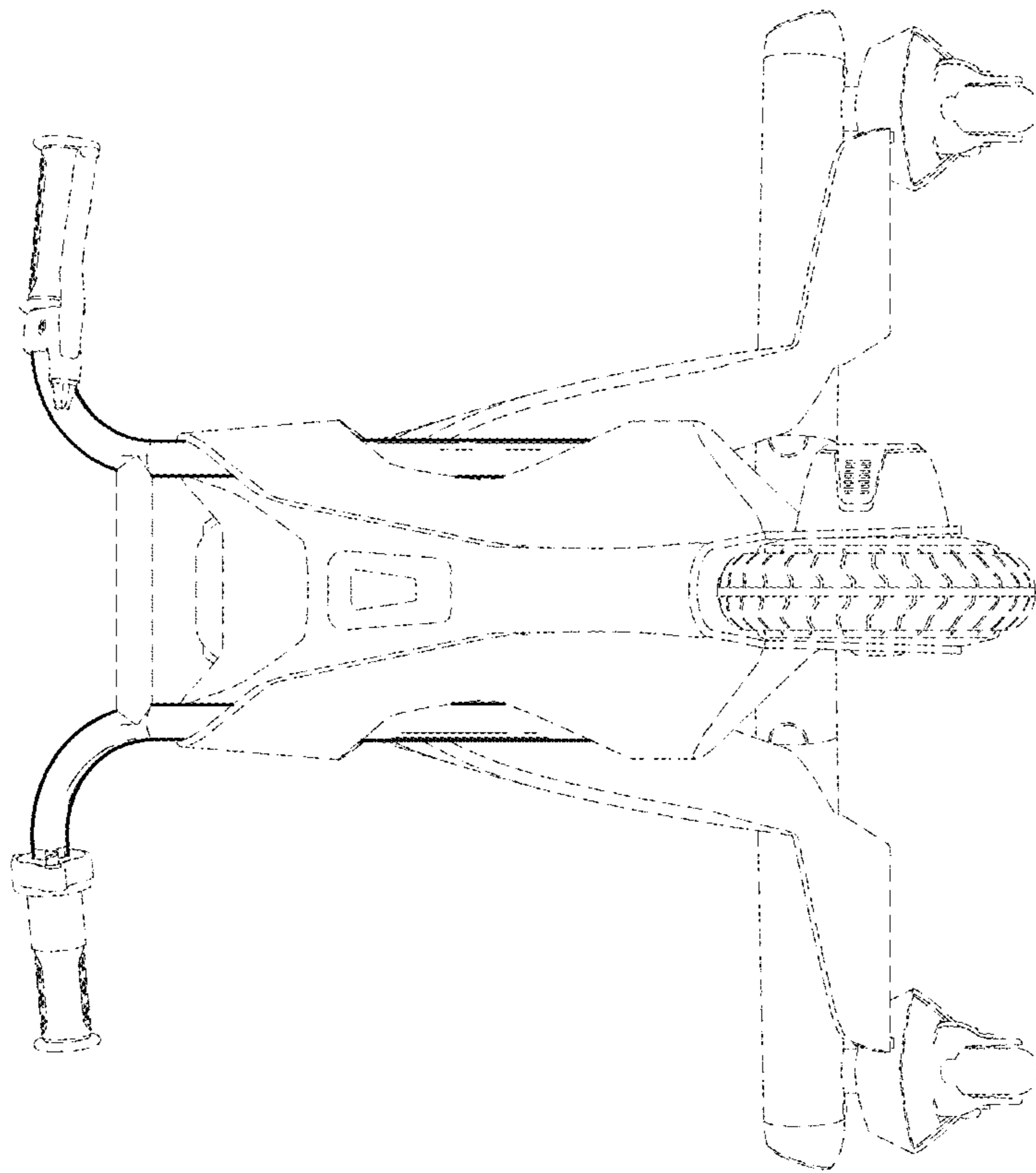


FIG. 3

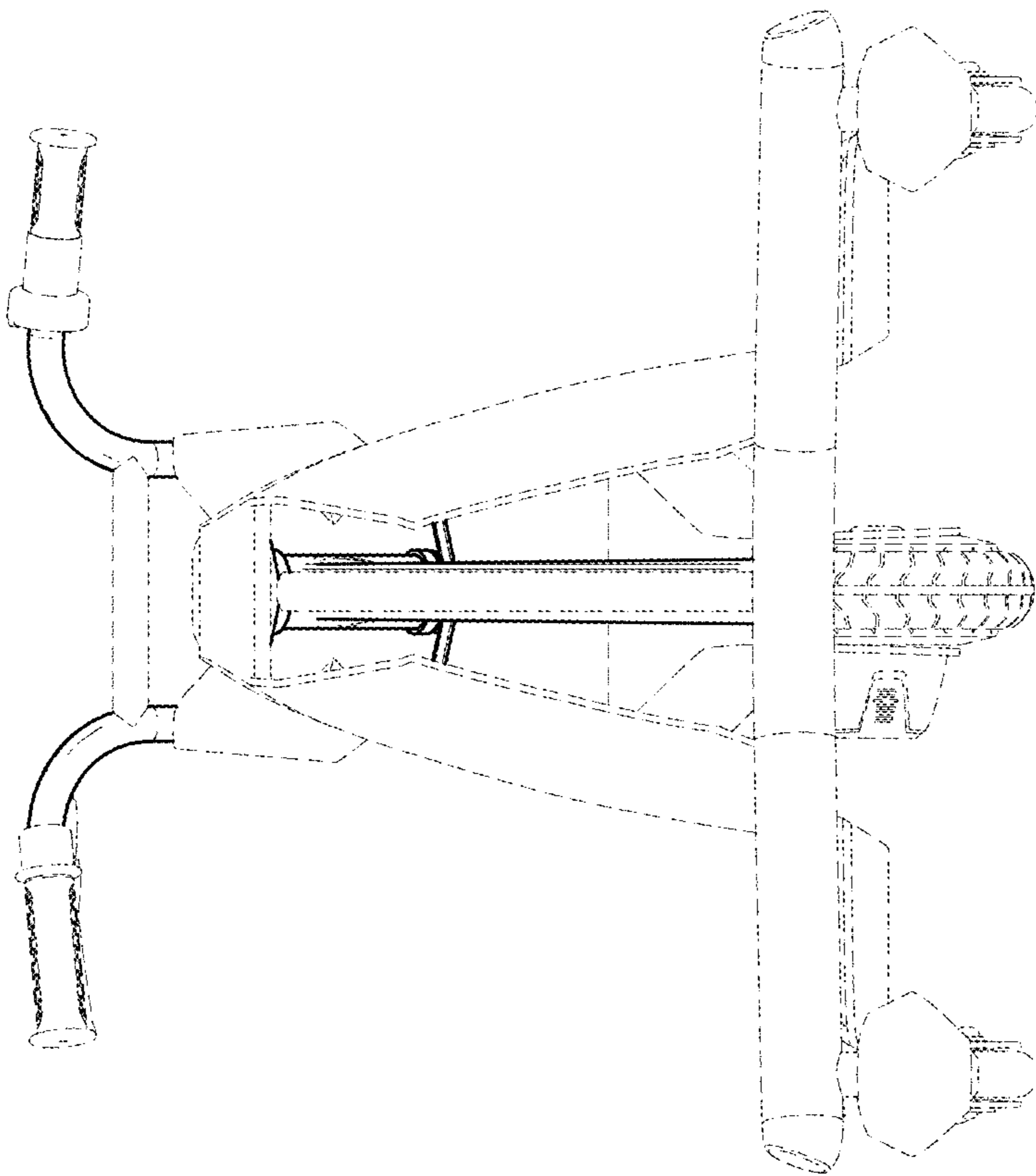


FIG. 4

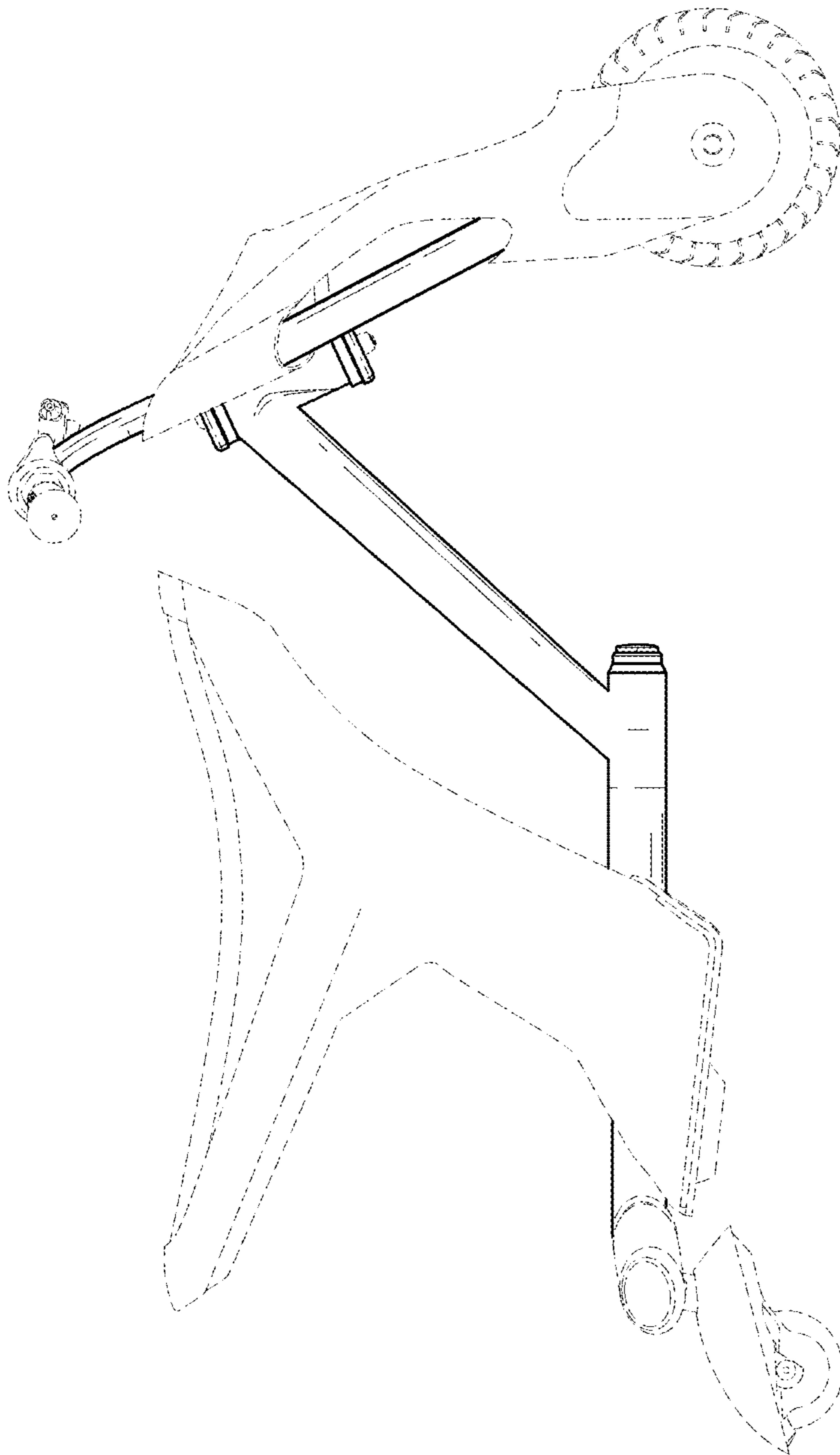


FIG. 5

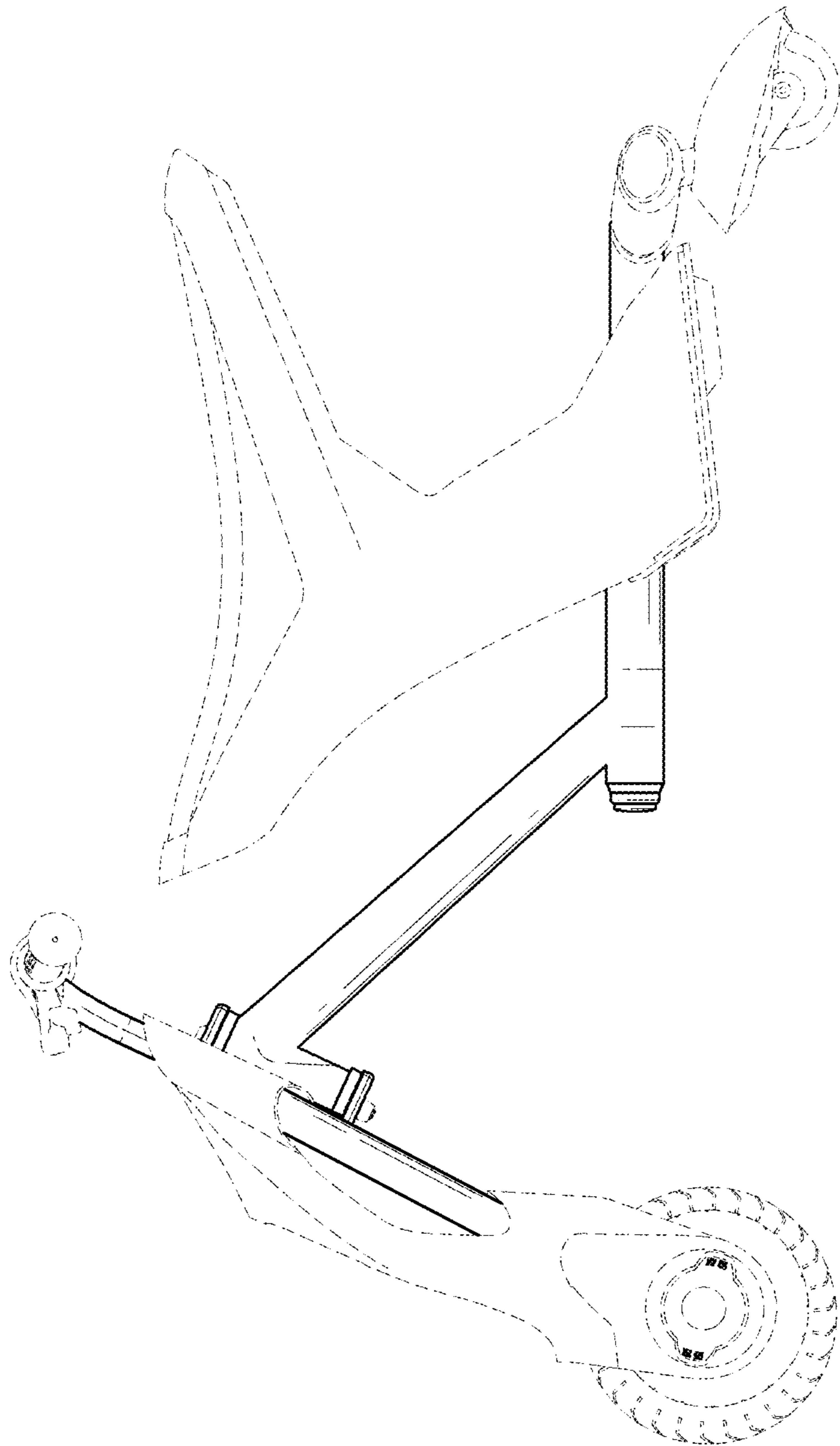


FIG. 6

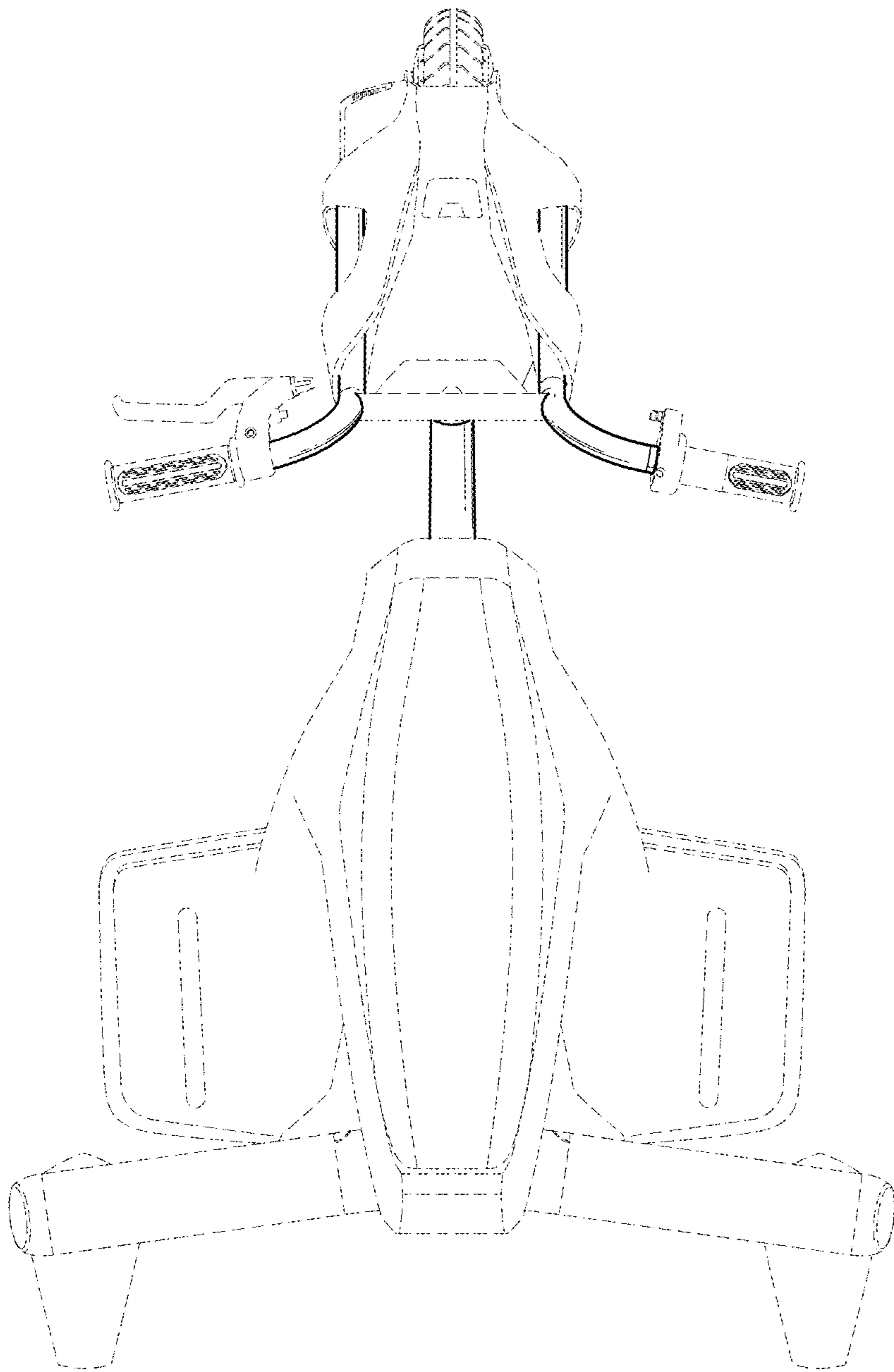


FIG. 7

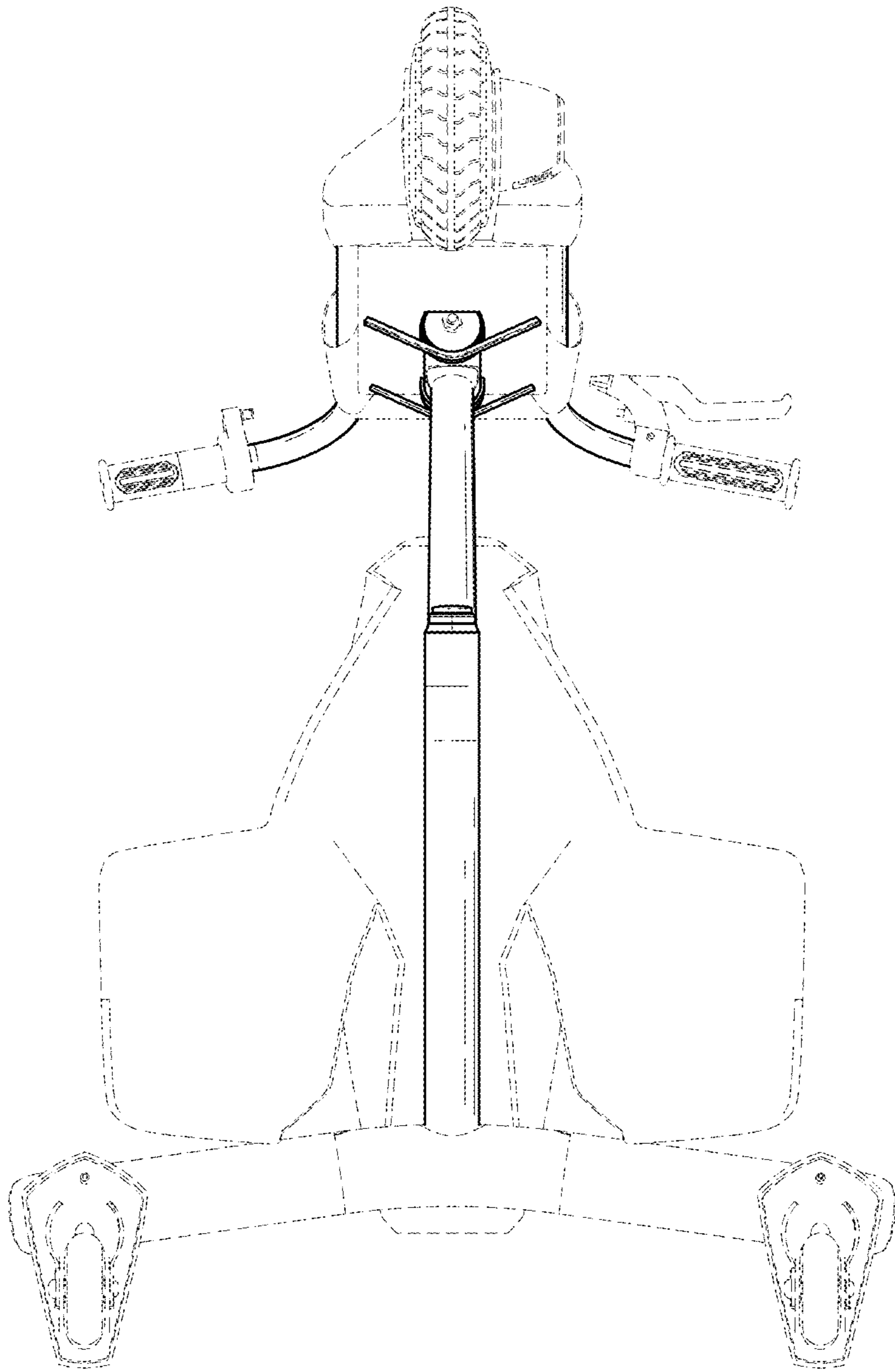


FIG. 8