



US00D855115S

(12) **United States Design Patent**  
**Yan**

(10) **Patent No.:** **US D855,115 S**

(45) **Date of Patent:** **\*\* Jul. 30, 2019**

(54) **KICK SCOOTER**

(71) Applicant: **Wen Yan**, Neimenggu (CN)

(72) Inventor: **Wen Yan**, Neimenggu (CN)

(\*\*) Term: **15 Years**

(21) Appl. No.: **29/606,398**

(22) Filed: **Jun. 5, 2017**

(51) **LOC (11) Cl.** ..... **21-01**

(52) **U.S. Cl.**  
USPC ..... **D21/423**

(58) **Field of Classification Search**  
USPC ..... D21/419, 421, 423, 760, 765, 771;  
D12/1, 8, 113, 114  
CPC ..... B62K 3/002; B62K 9/00; B62K 2202/00;  
B60Y 2200/126  
See application file for complete search history.

(56) **References Cited**

**U.S. PATENT DOCUMENTS**

- D438,911 S \* 3/2001 Chen ..... D21/423
- 7,156,405 B1 \* 1/2007 Ming ..... B62K 3/002  
280/278
- 7,584,974 B2 \* 9/2009 Jackman ..... B62K 3/002  
180/181
- D806,176 S \* 12/2017 Peng ..... D21/423

- 9,862,449 B2 \* 1/2018 Xu ..... B62K 3/002
- D827,036 S \* 8/2018 Sebban ..... D21/423
- D834,097 S \* 11/2018 Lin ..... D21/423
- D837,303 S \* 1/2019 Desberg ..... D21/423
- D839,358 S \* 1/2019 Cao ..... D21/423

\* cited by examiner

*Primary Examiner* — Cynthia M. Chin

(74) *Attorney, Agent, or Firm* — Justin Lampel

(57) **CLAIM**

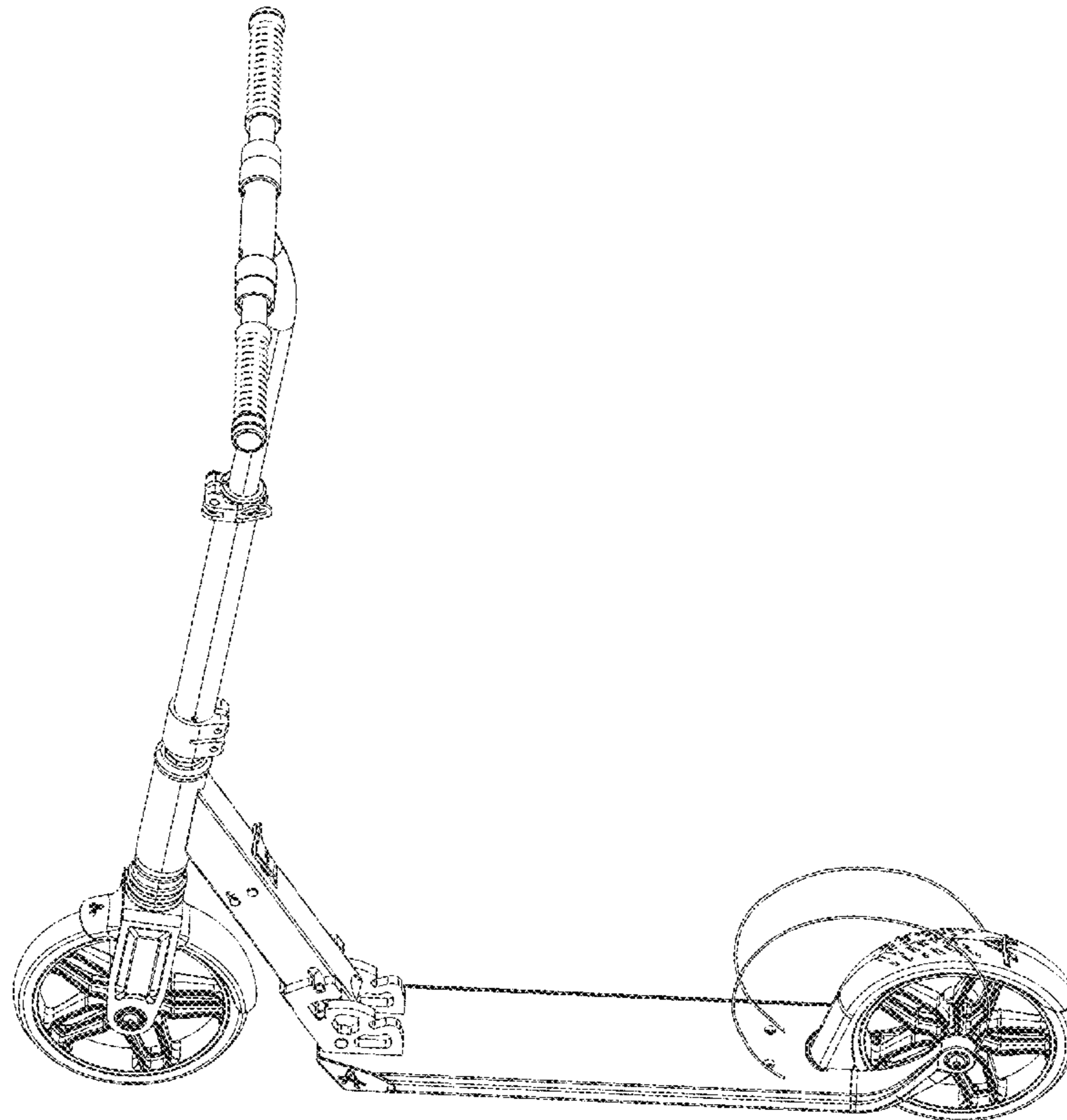
The ornamental design for a kick scooter, as shown and described.

**DESCRIPTION**

FIG. 1 is a perspective view of a kick scooter showing my new design;  
 FIG. 2 is a front elevational view thereof;  
 FIG. 3 is a rear elevational view thereof;  
 FIG. 4 is a right side view thereof;  
 FIG. 5 is a left side view thereof;  
 FIG. 6 is a bottom plan view thereof; and,  
 FIG. 7 is a top plan view thereof.

The broken lines are for the purpose of illustrating portions of the article that form no part of the claim.

**1 Claim, 7 Drawing Sheets**



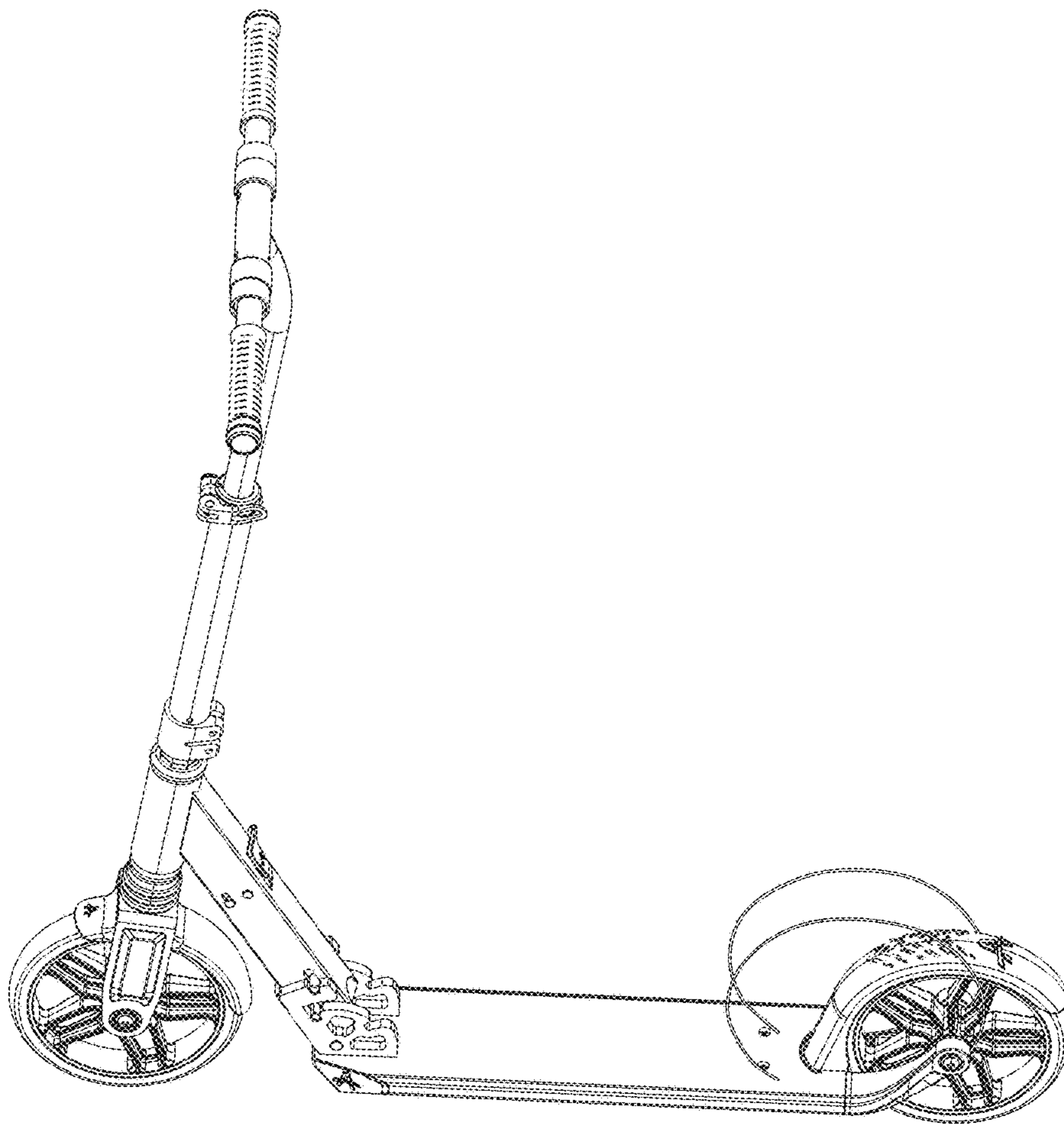


FIG. 1

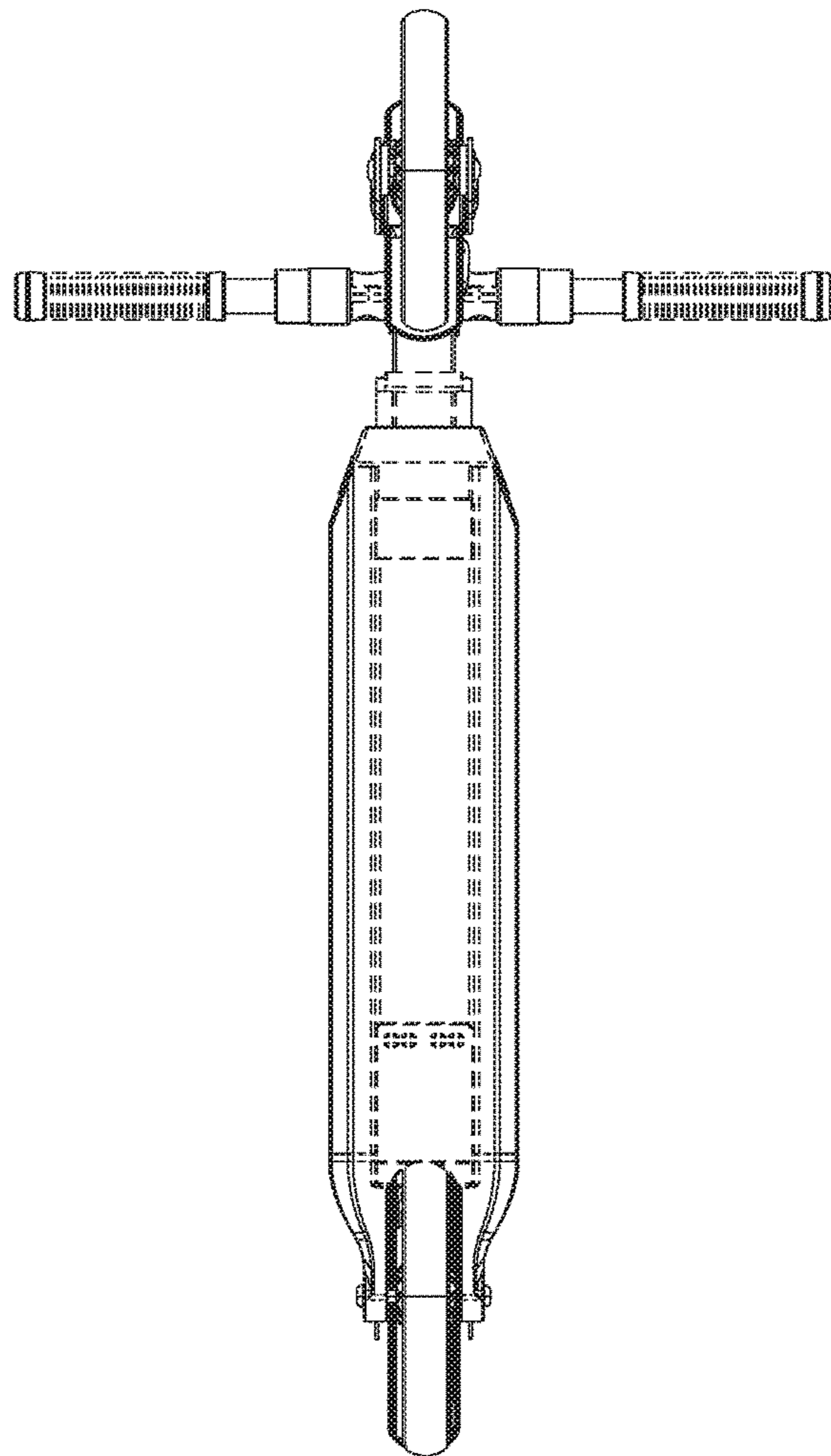


FIG. 2

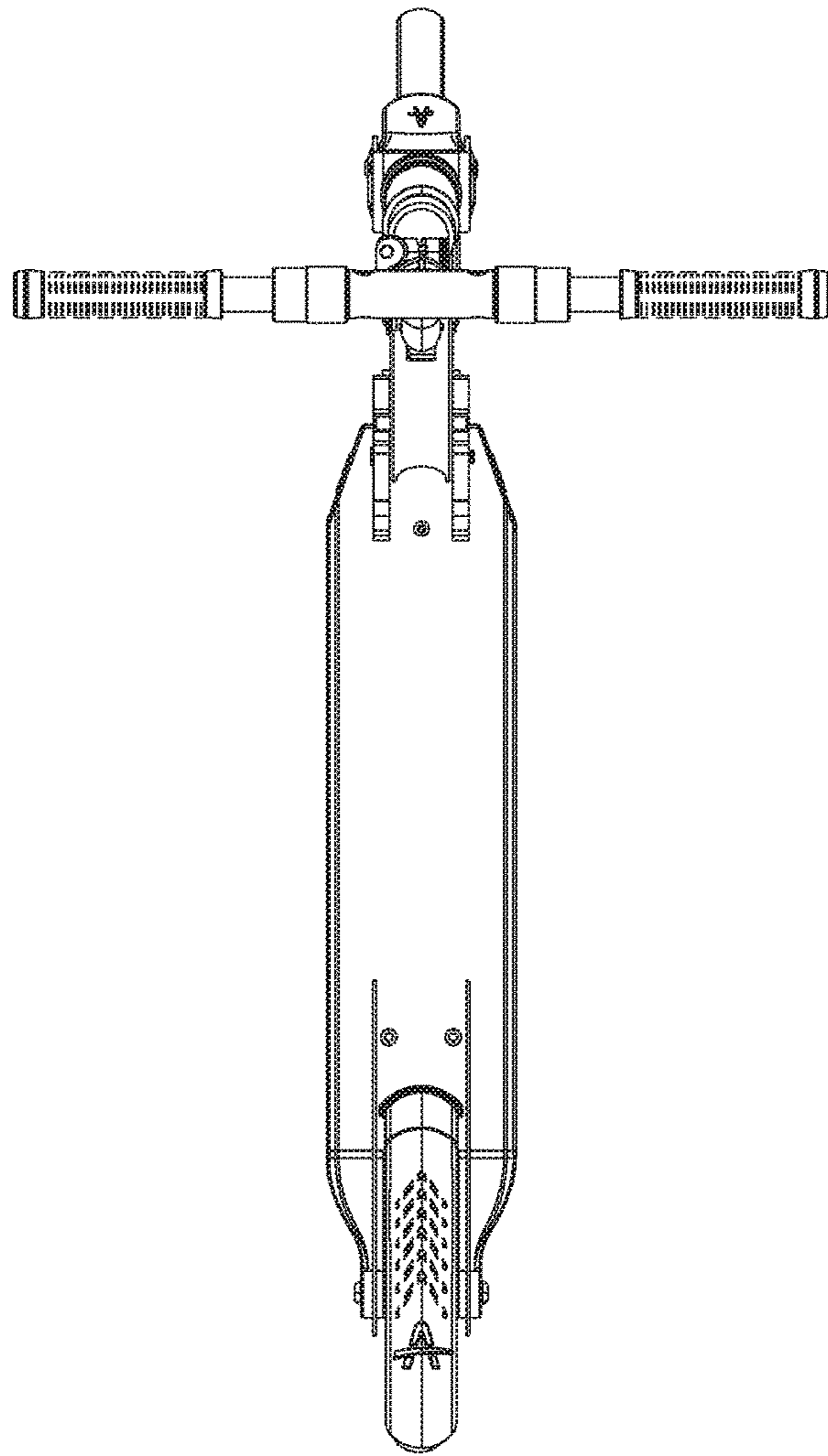


FIG. 3

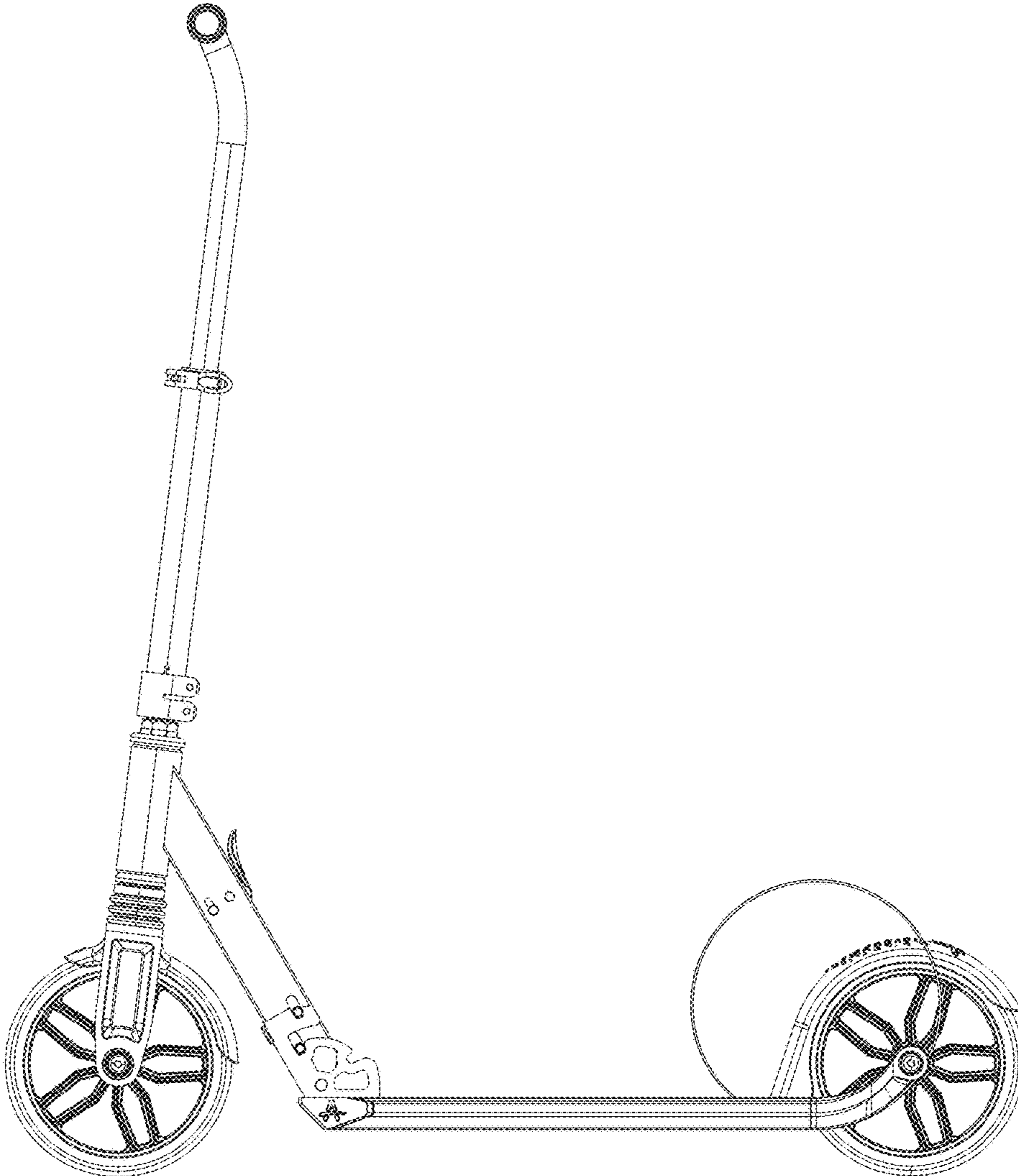


FIG. 4

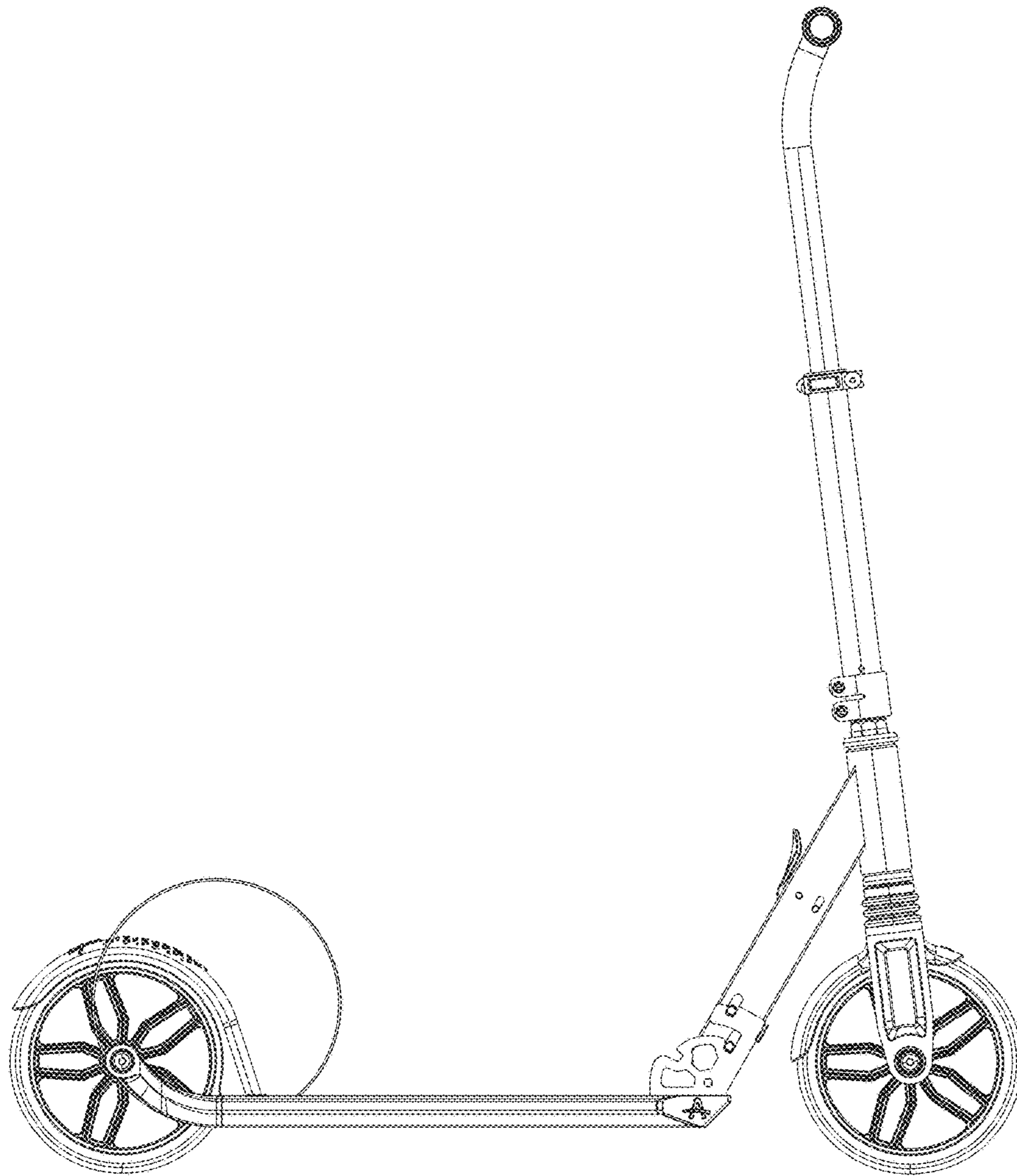


FIG. 5

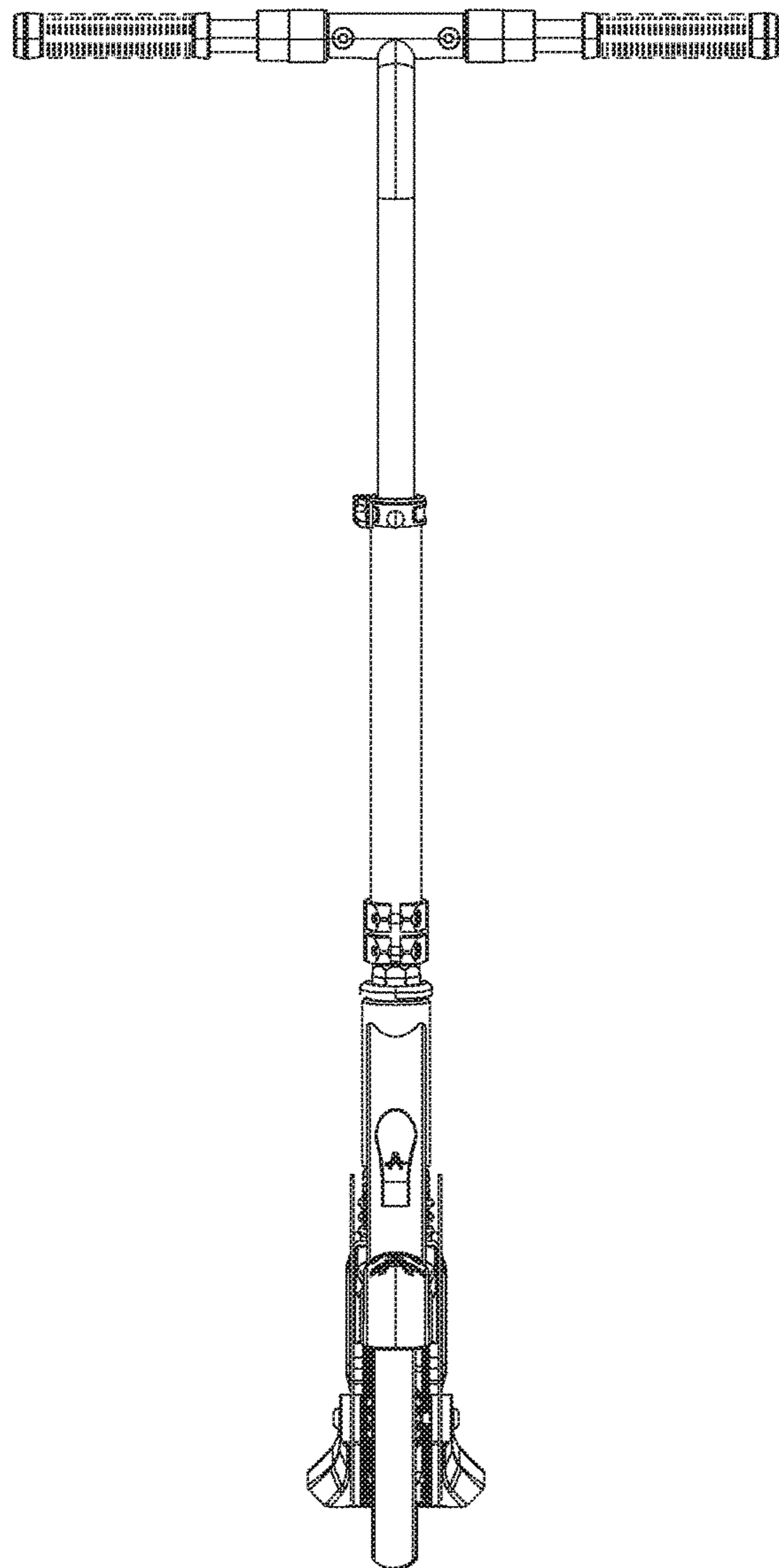


FIG. 6

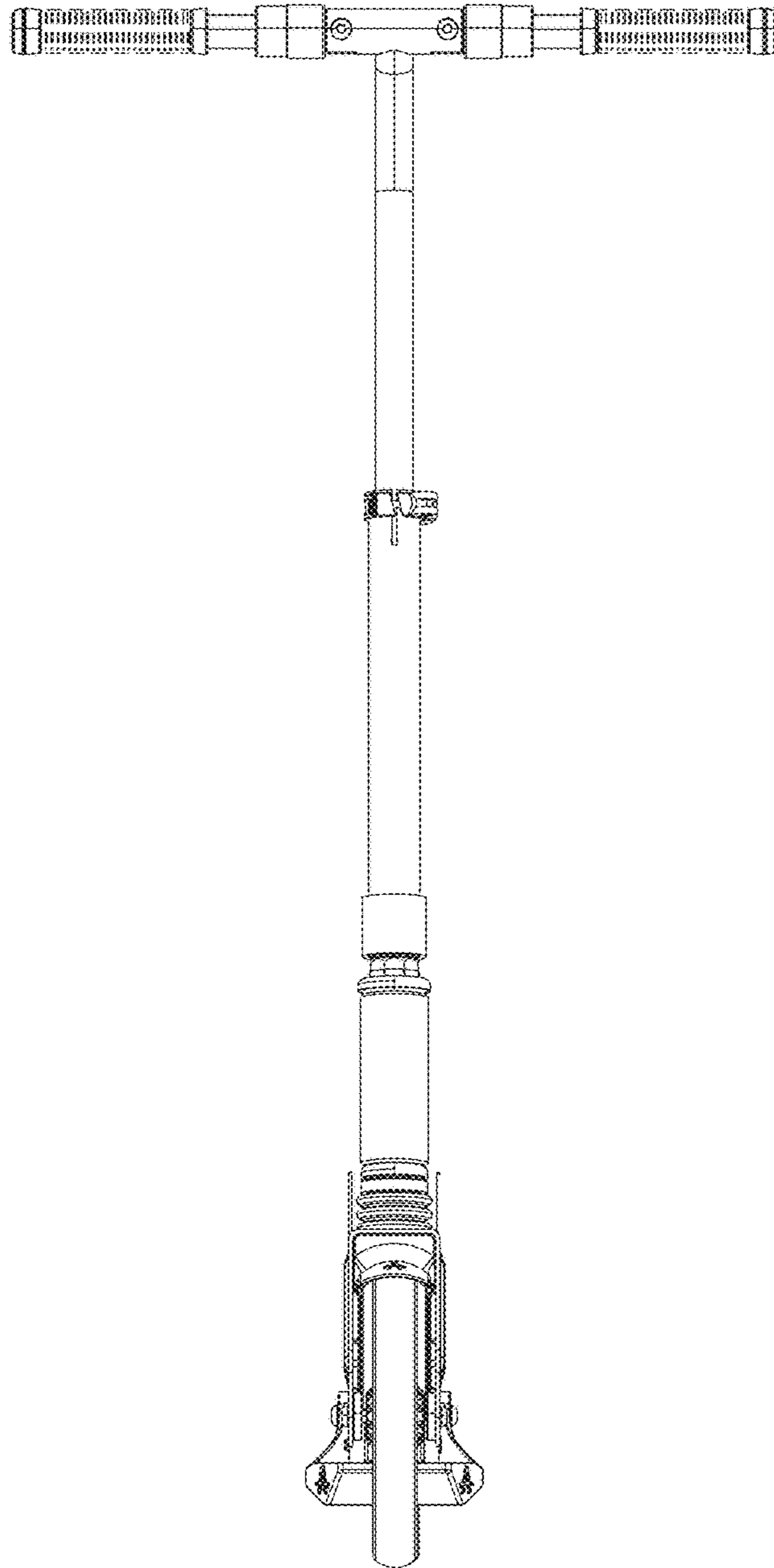


FIG. 7