



US00D855114S

(12) **United States Design Patent**
Glenn, II

(10) **Patent No.:** **US D855,114 S**

(45) **Date of Patent:** **** Jul. 30, 2019**

(54) **GAMING TERMINAL**

(71) Applicant: **BALLY GAMING, INC.**, Las Vegas, NV (US)

(72) Inventor: **Robert J. Glenn, II**, Chicago, IL (US)

(73) Assignee: **BALLY GAMING, INC.**, Las Vegas, NV (US)

(**) Term: **15 Years**

(21) Appl. No.: **29/599,313**

(22) Filed: **Mar. 31, 2017**

(51) **LOC (11) Cl.** **21-03**

(52) **U.S. Cl.**
USPC **D21/369**; D21/385

(58) **Field of Classification Search**
USPC D21/369, 370, 371, 385, 329, 325, 394;
D14/307, 172, 129, 325, 401, 371, 126,
D14/439, 432, 450, 128, 375, 248, 374,
D14/341, 138 G, 127; 463/28, 13, 11,
463/16, 20, 25, 31, 46, 23, 30, 17, 36, 29,
463/42, 34, 32, 35, 19, 21, 22; 273/292,
273/203, 138.2, 143 R, 142 R, 138.1;
D19/60; D16/226; D8/335, 331, 334;
D26/141; D7/641

CPC G07F 17/32; G07F 17/34; G07F 17/3211;
G07F 17/3244; G07F 17/3267

See application file for complete search history.

(56) **References Cited**

U.S. PATENT DOCUMENTS

D284,592 S	7/1986	Drews et al.
D351,869 S	10/1994	Rothschild et al.
D406,612 S	3/1999	Johnson
D406,865 S	3/1999	Heidel
D446,252 S	8/2001	Yamaguchi
D450,094 S	11/2001	Hedrick et al.

D450,096 S	11/2001	Legras et al.
D450,310 S	11/2001	Hedrick et al.
D450,353 S	11/2001	LeSourd et al.
D450,780 S	11/2001	Holtz et al.
D451,148 S	11/2001	Hedrick et al.
D451,153 S	11/2001	Hedrick et al.
D452,535 S	12/2001	Johnson et al.
D454,921 S	3/2002	Legras et al.
D456,046 S	4/2002	Hedrick et al.
D456,457 S	4/2002	Hedrick et al.
D456,855 S	5/2002	Hedrick et al.
D458,971 S	6/2002	Stephan
D459,402 S	6/2002	Wurz et al.
D459,759 S	7/2002	Shepherd et al.
D462,397 S	9/2002	Baker et al.
D463,503 S	9/2002	Stephan
D463,504 S	9/2002	Stephan

(Continued)

Primary Examiner — Ryan Harvey

(74) *Attorney, Agent, or Firm* — Banner & Witcoff, Ltd.

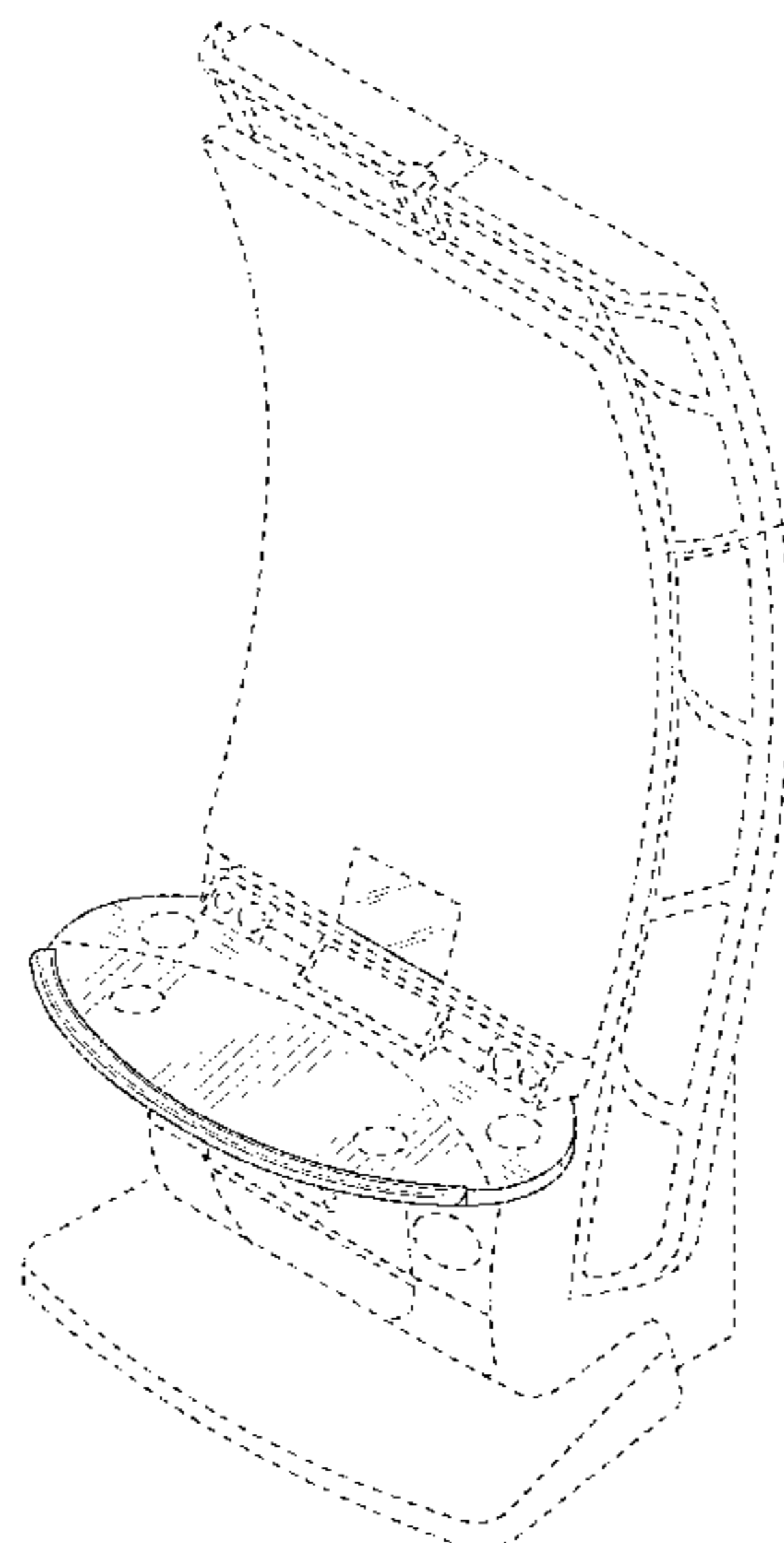
(57) **CLAIM**

The ornamental design for a gaming terminal, as shown and described.

DESCRIPTION

FIG. 1 is a front perspective view of a gaming terminal showing my new design;
FIG. 2 is a front view thereof;
FIG. 3 is a left side thereof;
FIG. 4 is a right side view thereof; and,
FIG. 5 is a top view thereof.
The broken line showing of the four unshaded circular regions and the unshaded shaded areas therein represent unclaimed subject matter and form no part of the claimed design. The broken lines immediately adjacent to the shaded area on the tray and the display represent boundaries of the design and form no part thereof. The broken line showing of the remainder of the gaming terminal represents unclaimed subject matter and forms no part of the claimed design.

1 Claim, 5 Drawing Sheets



(56)

References Cited

U.S. PATENT DOCUMENTS

D464,377 S	10/2002	Wurz et al.	D577,078 S	9/2008	Shimizu et al.
D465,813 S	11/2002	Randall	D579,500 S	10/2008	Luciano, Jr. et al.
D486,869 S	2/2004	Webb et al.	RE40,625 E	1/2009	Wurz et al.
D487,582 S	3/2004	McGahn et al.	RE40,671 E	3/2009	Wurz et al.
D490,478 S	5/2004	McGahn et al.	D595,783 S	7/2009	Anderson
D492,734 S	7/2004	Karstens	D595,784 S	7/2009	Wells et al.
D494,636 S	8/2004	Chudd et al.	D595,785 S	7/2009	Wells et al.
D494,637 S	8/2004	Chudd	D596,678 S *	7/2009	Myers D21/370
D494,638 S	8/2004	Chudd et al.	D597,144 S	7/2009	Myers
D495,754 S	9/2004	Wurz et al.	D599,858 S	9/2009	Lesley et al.
D495,755 S	9/2004	Wurz et al.	D599,859 S	9/2009	Lesley et al.
D496,407 S	9/2004	Gadda et al.	D599,860 S	9/2009	Lesley et al.
D496,968 S	10/2004	Baerlocher	D601,637 S	10/2009	Myers et al.
D497,188 S	10/2004	Mahaffey	D602,995 S	10/2009	Takeuchi
D498,268 S	11/2004	Kaminkow et al.	D602,996 S	10/2009	Takeuchi
D498,504 S	11/2004	Karstens	D603,459 S	11/2009	Tsuchida et al.
D498,796 S	11/2004	Karstens	D603,460 S	11/2009	Taniguchi
D498,797 S	11/2004	Karstens	D604,368 S	11/2009	Lesley et al.
D502,243 S	2/2005	King	D611,996 S	3/2010	Shimizu et al.
D503,450 S	3/2005	King	D613,802 S	4/2010	Meyers et al.
D503,751 S	4/2005	Kaminkow et al.	D616,042 S	5/2010	Shimizu et al.
D503,951 S	4/2005	Karstens	D617,388 S	6/2010	Wildner et al.
D504,161 S	4/2005	Chudd et al.	D617,389 S	6/2010	Wildner et al.
D504,473 S	4/2005	Baerlocher	D622,780 S	8/2010	Lesley et al.
D508,268 S	8/2005	Hanchar et al.	D622,781 S	8/2010	Lesley et al.
D508,270 S	8/2005	McGahn et al.	D622,782 S	8/2010	Chudek et al.
D509,254 S	9/2005	Rasmussen et al.	D624,604 S	9/2010	Wudtke
D510,752 S	10/2005	Baerlocher	D625,368 S	10/2010	Nelson et al.
D511,549 S	11/2005	Kaminkow et al.	D626,182 S *	10/2010	Cole D21/369
D512,105 S	11/2005	Chitrapongse et al.	D642,224 S	7/2011	Taniguchi
D512,464 S	12/2005	Karstens	D646,336 S	10/2011	Kelly et al.
D512,465 S	12/2005	Karstens	D646,337 S	10/2011	Kelly et al.
D514,168 S	1/2006	Kaminkow et al.	D673,622 S	1/2013	Wudtke
D514,170 S	1/2006	Kaminkow et al.	D678,955 S	3/2013	Lesley et al.
D519,571 S	4/2006	Myers	D678,956 S	3/2013	Lesley et al.
D519,572 S	4/2006	Myers	D678,957 S	3/2013	Cesaroni et al.
D519,573 S	4/2006	Myers	D678,958 S	3/2013	Cesaroni et al.
D519,574 S	4/2006	Myers	D681,130 S	4/2013	Lesley et al.
D519,575 S	4/2006	Myers	D682,948 S	5/2013	Cesaroni et al.
D519,576 S	4/2006	Wagg	D685,033 S	6/2013	Wudtke
D520,074 S	5/2006	Myers	D691,665 S	10/2013	Chudek
D520,075 S	5/2006	Wagg	D691,666 S	10/2013	Lesley et al.
D520,076 S	5/2006	McGahn et al.	D697,558 S	1/2014	Myers et al.
D521,077 S	5/2006	Myers	D704,273 S	5/2014	Chudek
D521,078 S	5/2006	McGahn et al.	D704,274 S	5/2014	Ono
D522,589 S	6/2006	Myers	D704,275 S	5/2014	Lesley et al.
D523,908 S	6/2006	Hedrick et al.	D705,363 S	5/2014	Inoue et al.
D525,316 S	7/2006	De Palma	D706,359 S	6/2014	Wudtke
D529,965 S	10/2006	Hedrick et al.	D706,741 S	6/2014	Myers
D532,831 S	11/2006	Baerlocher et al.	D707,301 S	6/2014	Inoue et al.
D537,127 S	2/2007	Kaminkow et al.	D707,302 S	6/2014	Inoue et al.
D537,885 S	3/2007	Gadda et al.	D712,975 S	9/2014	Lesley et al.
D539,854 S *	4/2007	Luciano D21/369	D714,392 S	9/2014	Arabian
D540,398 S	4/2007	Gadda et al.	D714,875 S	10/2014	Wudtke et al.
D540,399 S	4/2007	Gadda et al.	D715,364 S	10/2014	Wudtke et al.
D548,288 S	8/2007	Baerlocher et al.	D719,615 S	12/2014	Inoue et al.
D548,800 S	8/2007	Kaminkow et al.	D719,616 S	12/2014	Inoue et al.
D549,785 S	8/2007	Luciano, Jr. et al.	D719,617 S	12/2014	Inoue
D550,301 S	9/2007	Luciano, Jr. et al.	D721,766 S *	1/2015	Ferrazoli D21/370
D560,255 S	1/2008	Luciano, Jr. et al.	D723,626 S	3/2015	Vasquez et al.
D560,724 S	1/2008	Johnson	D729,321 S	5/2015	Arabian
D560,725 S	1/2008	Johnson	D740,888 S	10/2015	DePalma et al.
D562,912 S	2/2008	Myers	D742,974 S	11/2015	Lesley et al.
D564,600 S	3/2008	Greenberg et al.	D742,975 S	11/2015	Myers et al.
D564,601 S	3/2008	Strahinic et al.	D763,361 S	8/2016	Rosander et al.
D566,197 S	4/2008	Greenberg et al.	RE46,169 E	10/2016	Kelly et al.
D572,314 S	7/2008	Vallejo et al.	D812,149 S *	3/2018	Castro D21/369
D577,077 S	9/2008	Mitchell et al.	2018/0342129 A1 *	11/2018	Wudtke G07F 17/3211
			2019/0012874 A1 *	1/2019	Goldstein G07F 17/3211

* cited by examiner

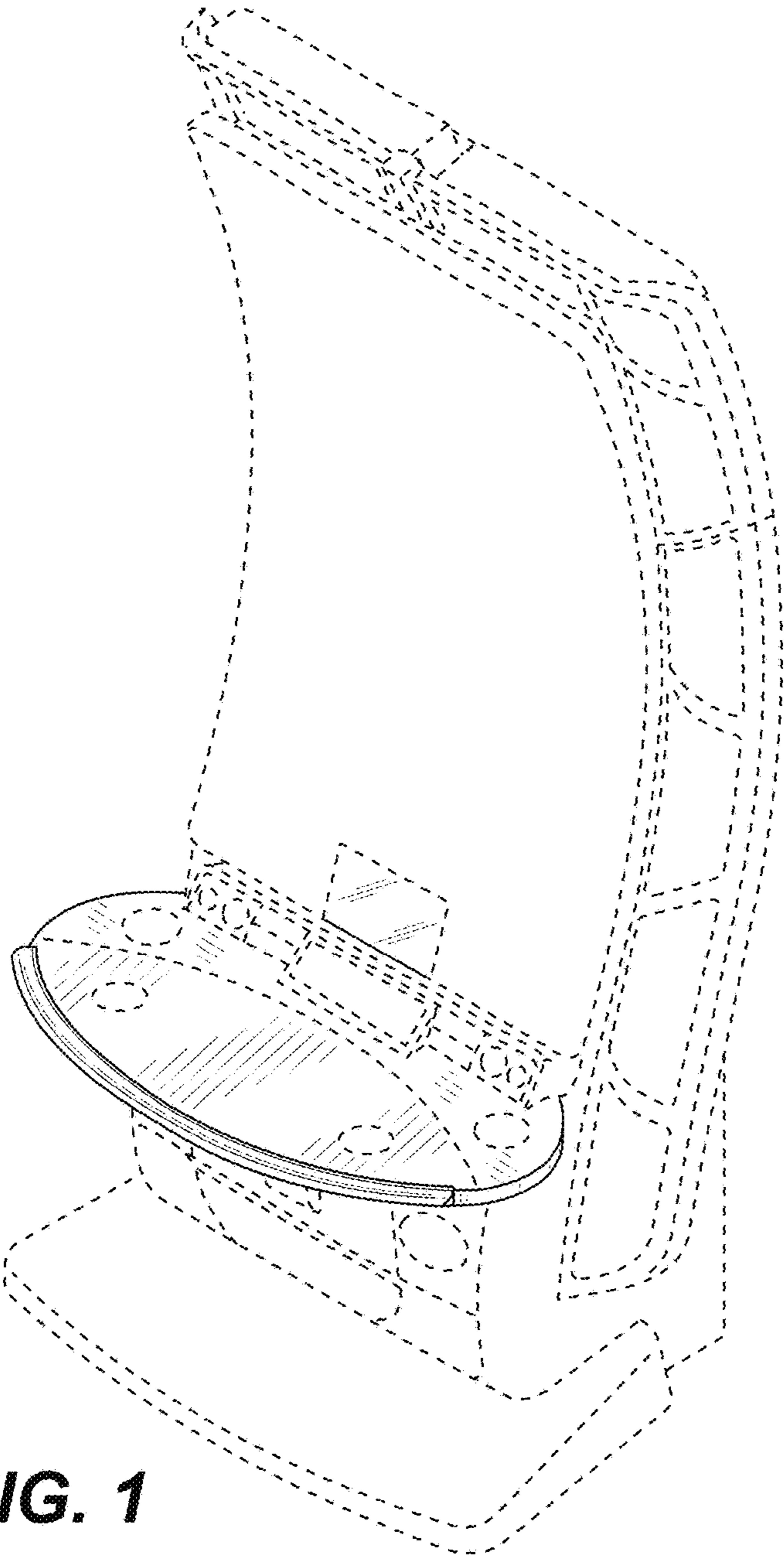


FIG. 1

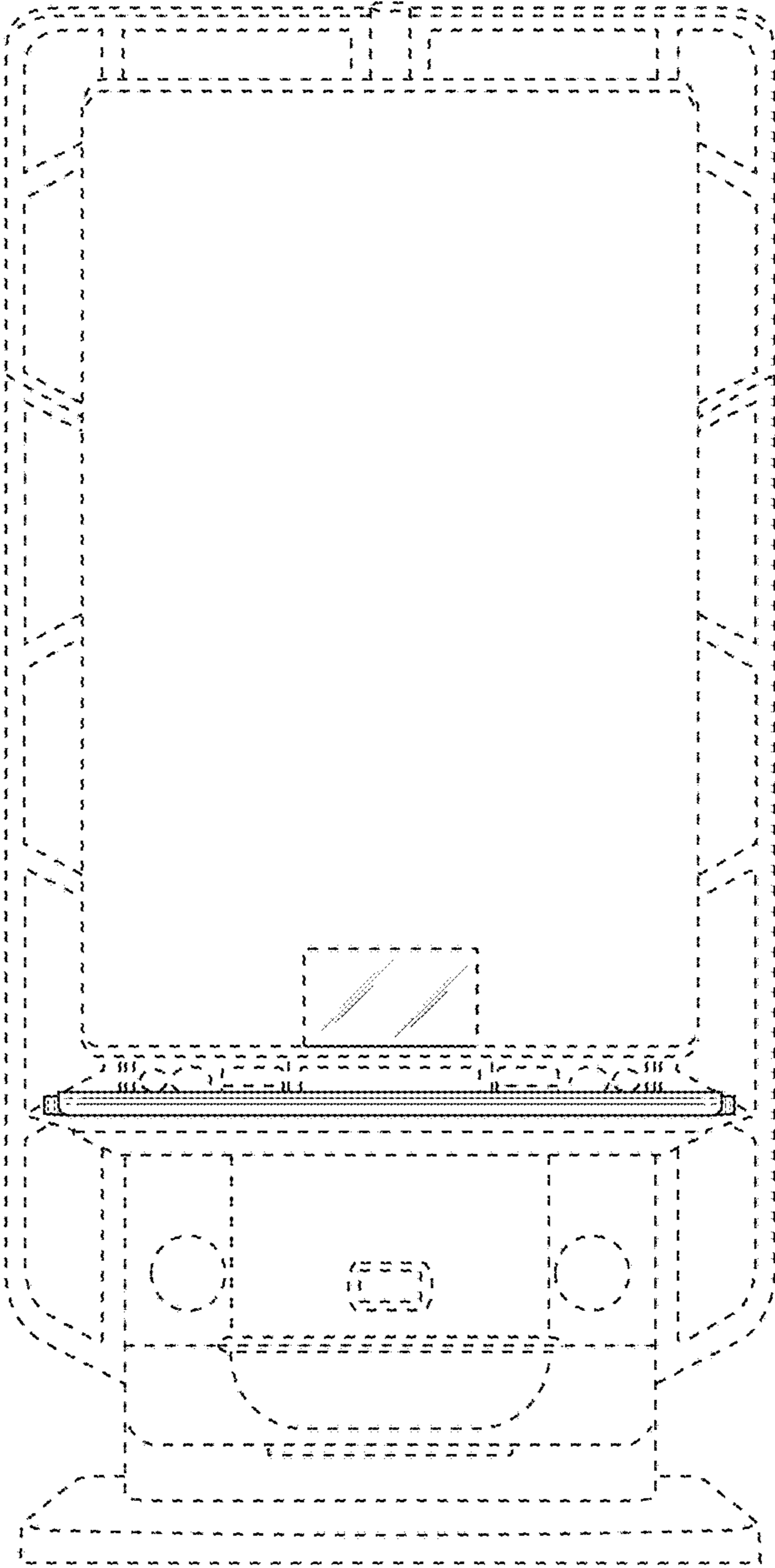


FIG. 2

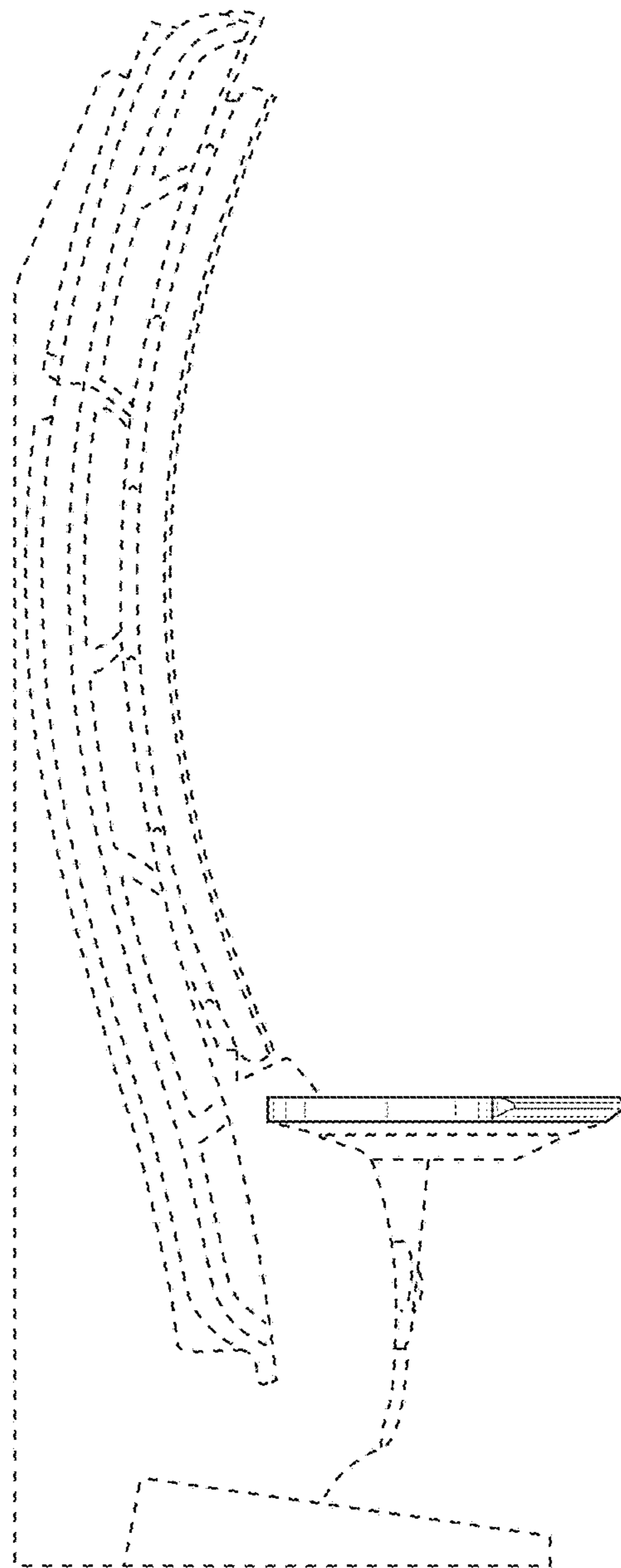


FIG. 3

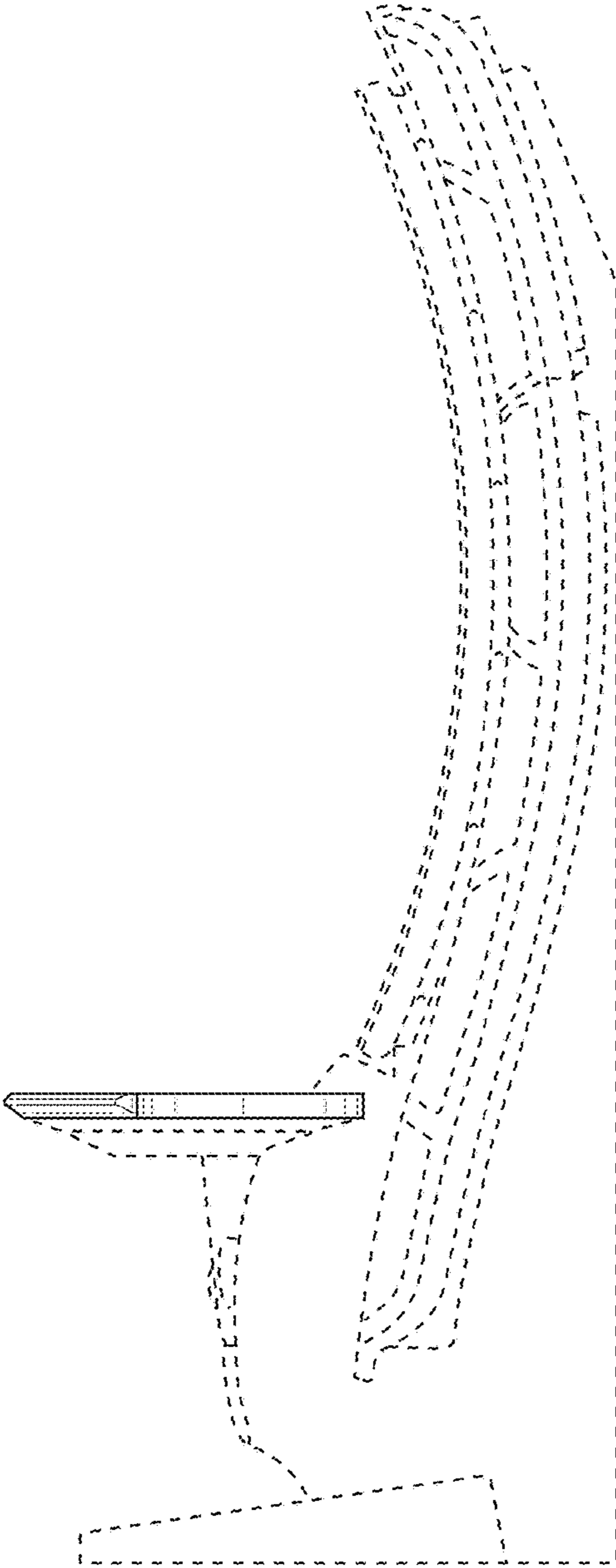


FIG. 4

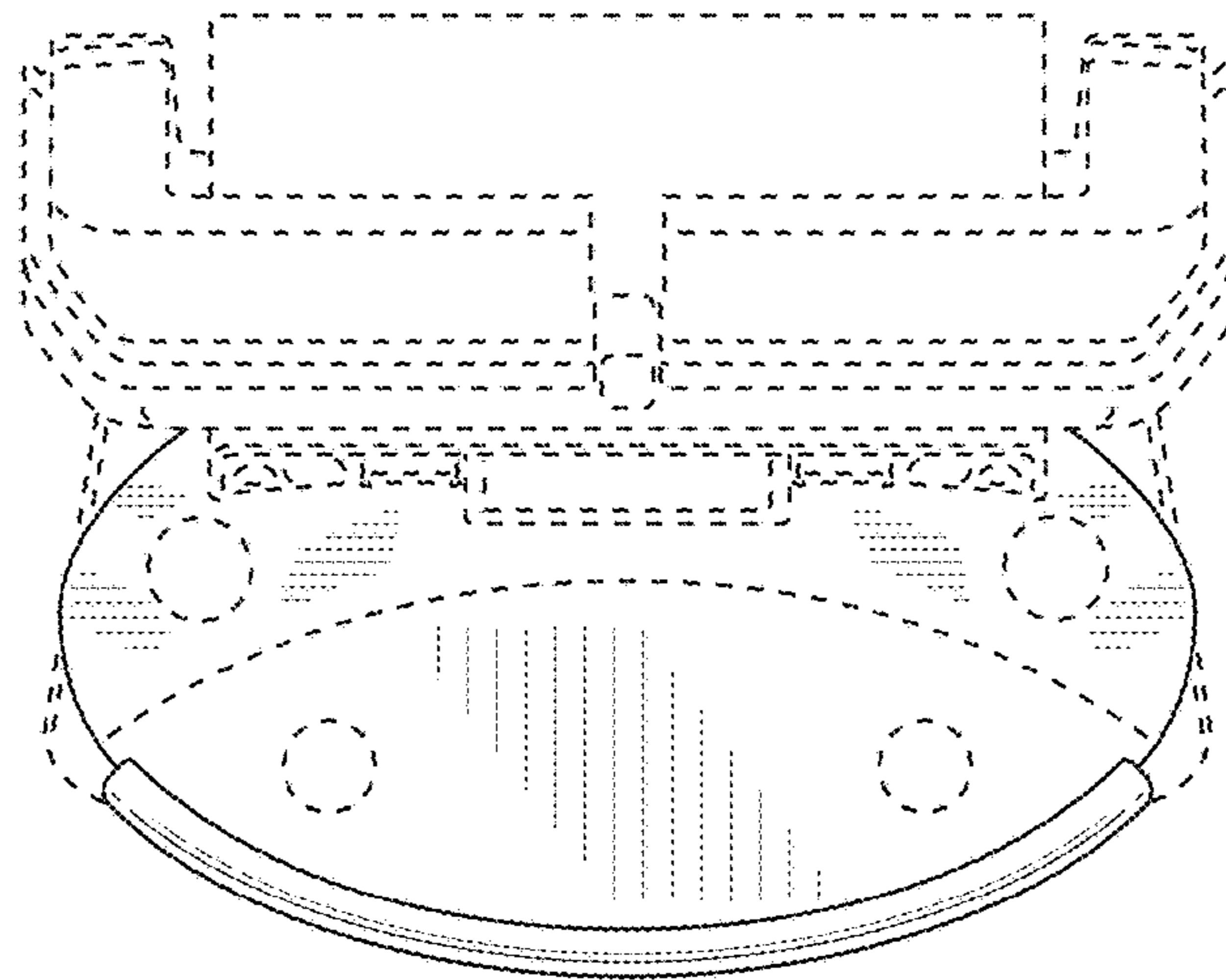


FIG. 5