



US00D855109S

(12) **United States Design Patent** (10) **Patent No.:** **US D855,109 S**
Cao (45) **Date of Patent:** **** Jul. 30, 2019**

(54) **GAME BOX**

(71) Applicant: **Hao T. Cao**, East Hartford, CT (US)

(72) Inventor: **Hao T. Cao**, East Hartford, CT (US)

(**) Term: **15 Years**

(21) Appl. No.: **29/593,222**

(22) Filed: **Feb. 7, 2017**

(51) **LOC (11) Cl.** **21-01**

(52) **U.S. Cl.**
USPC **D21/303; D21/300; D21/337; D21/342;**
D21/475

(58) **Field of Classification Search**

USPC D21/303, 336, 337, 499, 338, 341, 342,
D21/310, 311, 300, 362, 385, 386, 388,
D21/389, 393, 398, 399, 401, 404, 405,
D21/455, 456, 468, 470, 471, 473, 474,
D21/475, 476, 478, 479, 483-488, 506,
D21/507, 510, 589, 789, 790, 796, 811,
D21/812, 821, 826, 830, 360, 349, 301,
D21/302, 469; 273/336, 337, 376, 398,
273/401, 407, 110, 112, 113, 118 R,
273/123 R, 236, 241, 248, 249, 280, 289,
273/290, 153 R-156, 153 P, 153 S, 447,
273/449, 450, 459, 142 HA, 271, 242,
273/282.1-282.3, 283-288, 264, 344,
273/276, 272, 281, 267, 261, 309, 260,
273/239, 244, 161, 429, 157 R, 146, 273,
273/277, 145 C, 440; 446/69, 71, 75, 76,
446/81, 85, 87, 117, 118, 124, 125, 127,
446/236, 248, 249, 251, 252, 265, 396,
446/476, 486, 487, 489, 491, 901, 1, 5, 8,
446/10, 13, 91, 227, 310; 434/208, 259,
434/433, 258, 334, 81, 128, 236, 345,
434/347, 365, 367, 368, 393, 402, 403,
434/429, 430; D7/610, 558; 108/94,
108/101, 92, 42; 211/188; 463/10, 9, 48,
463/49; D6/678.1, 675.1; 84/470 R, 476;

(Continued)

(56) **References Cited**

U.S. PATENT DOCUMENTS

3,225,460 A * 12/1965 Randell A63F 9/24
273/460
3,341,205 A * 9/1967 Dykes A63F 3/00176
273/261

(Continued)

Primary Examiner — Susan Moon Lee

(74) *Attorney, Agent, or Firm* — McCormick, Paulding & Huber LLP

(57) **CLAIM**

The ornamental design for a game box, substantially as shown and described.

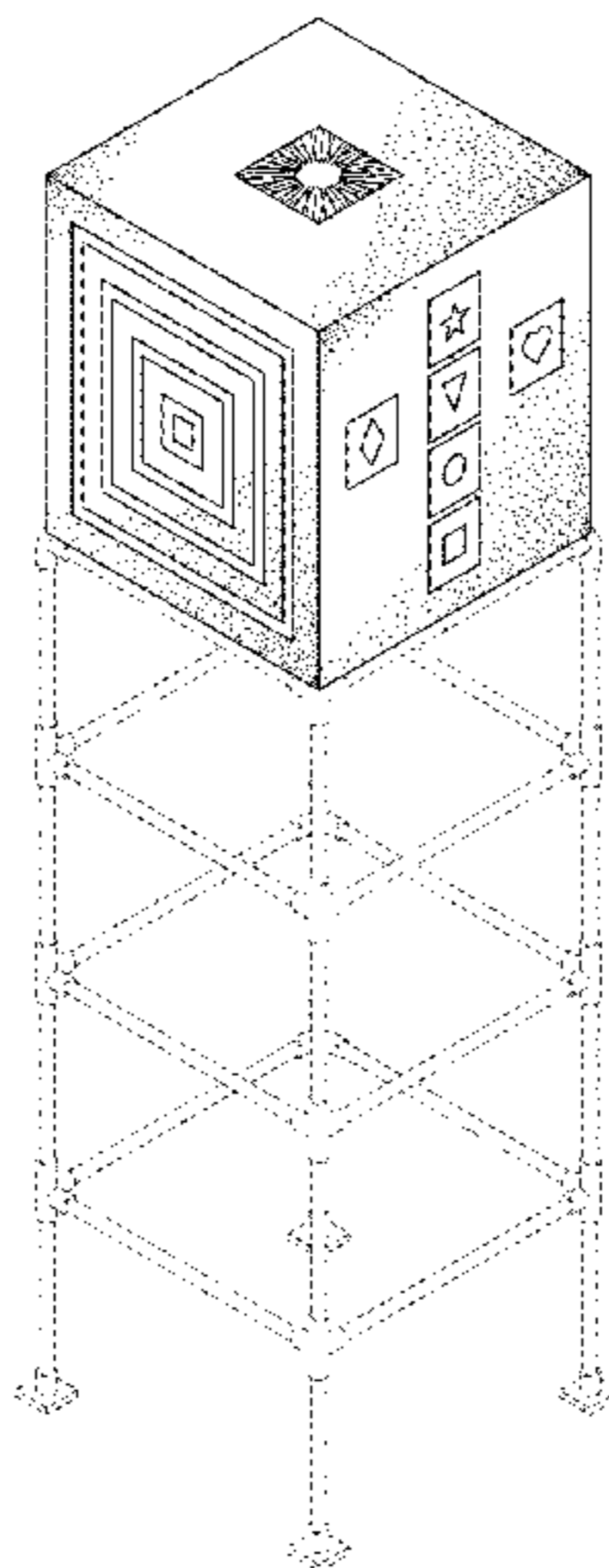
DESCRIPTION

FIG. 1 is an environmental perspective view of a game box according to the new design;
FIG. 2 is a front view thereof;
FIG. 3 is a right side view thereof;
FIG. 4 is a left side view of the game box in which the hatching indicates that the appliques would be of differing colors;
FIG. 5 is a rear view thereof;
FIG. 6 is a top view of the game box, depicting an opening with a bristled lining; and,
FIG. 7 is a bottom view of the game box depicting two openings.

The surface ornamentation on the front, right, left, and rear panels of the game box are appliques.

The environmental broken line showing of a support stand in FIG. 1 depicts an exemplary component that might be used in conjunction with the game box that forms no part of the design claim but is shown for purposes of illustration.

1 Claim, 4 Drawing Sheets



US D855,109 S

(58) **Field of Classification Search**
 USPC ... D9/414, 418, 432, 668; 206/315.9, 315.1,
 206/780, 782; D19/60, 59, 64, 63
 CPC A63F 3/00003; A63F 3/00082; A63F
 3/00088; A63F 3/00173; A63F 3/00214;
 A63F 3/00261; A63F 3/00529; A63F
 3/00533; A63F 3/00574; A63F 3/00634;
 A63F 2003/00217; A63F 2003/0022;
 A63F 2003/00223; A63F 2003/00; A63F
 2003/00268; A63F 2003/00277; A63F
 2003/0028; A63F 2003/0035; A63F
 2003/004; A63F 2003/00403; A63F
 2003/00406; A63F 2003/00514; A63F
 2003/00599; A63F 2003/00637; A63F
 7/0023; A63F 7/0076; A63F 7/02; A63F
 7/36; A63F 7/3622; A63F 2007/3655;
 A63F 2007/3659; A63F 2007/366; A63F
 9/001; A63F 9/0073; A63F 9/0613; A63F
 9/08; A63F 9/0803; A63F 9/0811; A63F
 2009/0846; A63F 2009/0884; A63F
 2009/1212; A63F 2009/1216; A63F
 2009/1224; A63F 2009/1228; A63F
 2009/1236; A63F 2009/1248; A63F
 2009/1292; A63F 2009/1296; A63F
 2009/0012; A63F 2009/002; A63F
 2009/0033; A63F 2009/0035; A63F
 2009/0049; A63F 2009/007; A63F
 2009/0073; A63F 2009/0075; A63F
 2009/0815; A63F 3/02; A63F 3/0023;
 A63F 3/0423; A63F 3/00094; A63F
 2003/00359; A63F 2003/00287; A63F
 2003/00227; A63F 2003/00943; A63F
 2003/00962; A63F 2011/0032; A63F
 9/0204; A63F 9/06; A63F 9/0604; A63F
 9/30; A63F 11/00; A63F 3/00895; A63H
 15/06; A63H 33/04; A63H 33/046; A63H
 33/06; A63H 33/065; A63H 33/00; A63B
 43/00; A63B 67/002; A63B 67/066; A63B
 67/06; A63B 71/00; A63B 71/0036; A63B
 2067/061; A63B 63/00; A63B 63/003;
 A63B 63/08; A63B 9/00; A63B 9/001;
 A63B 9/0073; A63B 9/0096; A63B
 2063/001; A63B 2063/002; A63B
 2009/0007; A63B 2009/0012; A63B
 2009/0033; A63B 2009/0035; A63B
 2009/0049; A63B 2009/0056; A63B
 69/00; G09B 19/22; G09B 1/02; G09B
 1/36; G09B 1/40; G09B 1/04; G09B
 1/06; G09B 1/10; G09B 1/30; G09B
 21/003; A47B 25/00

See application file for complete search history.

(56) **References Cited**
 U.S. PATENT DOCUMENTS

3,430,962 A * 3/1969 Davenport A63F 3/00895
 273/239
 3,604,709 A * 9/1971 Svetz A63F 3/00214
 273/241
 3,608,903 A * 9/1971 Cooper A63F 9/0079
 273/236

4,136,878 A * 1/1979 Caldwell A63F 3/00643
 273/142 B
 4,149,717 A * 4/1979 Seijiro A63F 9/12
 273/157 R
 D251,993 S * 5/1979 Birdsall D21/405
 D252,232 S * 6/1979 Satten D21/589
 4,232,864 A * 11/1980 Yaworsky A63F 3/00214
 273/241
 4,552,362 A * 11/1985 Oake A63F 3/00895
 108/50.02
 D296,451 S * 6/1988 Ming D21/470
 4,852,878 A * 8/1989 Merrill A63F 9/1204
 273/156
 4,984,797 A * 1/1991 Norsworthy A63F 9/0406
 273/145 C
 5,011,160 A * 4/1991 Lacza A63F 3/00006
 273/268
 5,249,808 A * 10/1993 Batte A63F 3/00006
 273/146
 5,292,276 A * 3/1994 Manalo G09B 19/00
 434/258
 5,417,603 A * 5/1995 De Chazal A63F 9/001
 108/62
 5,433,448 A * 7/1995 Raphael A63F 3/00094
 273/241
 5,451,178 A * 9/1995 Yorozu A63H 5/00
 434/311
 D380,240 S * 6/1997 Johnson, Jr. D21/470
 D391,517 S * 3/1998 Gusky D11/81
 D391,999 S * 3/1998 Chininis D21/475
 5,785,320 A * 7/1998 Borg A63F 3/00214
 273/241
 D408,060 S * 4/1999 Borg D21/337
 6,036,010 A * 3/2000 Seyffert B65D 5/4204
 206/315.9
 6,161,832 A * 12/2000 Holahan A63F 9/0073
 273/153 S
 D450,576 S * 11/2001 Taut D21/301
 D480,437 S * 10/2003 Stoneberg D21/499
 D518,858 S * 4/2006 Partlic D21/337
 7,238,026 B2 * 7/2007 Brown G09B 1/36
 434/258
 D587,323 S * 2/2009 McKinney D11/159
 7,677,946 B2 * 3/2010 Mayer A63H 33/006
 273/156
 D622,015 S * 8/2010 Pickford D30/199
 D754,263 S * 4/2016 Wolff D21/499
 D759,759 S * 6/2016 Woodward D21/302
 D761,230 S * 7/2016 Si D14/214
 D795,969 S * 8/2017 Wallace D21/499
 D827,727 S * 9/2018 McLachlan D21/468
 D829,828 S * 10/2018 McLachlan D21/468
 2002/0061701 A1 * 5/2002 Chan A63H 30/00
 446/175
 2002/0175472 A1 * 11/2002 Boeru A63F 3/00094
 273/441
 2003/0148700 A1 * 8/2003 Arlinsky A63H 33/04
 446/91
 2005/0164758 A1 * 7/2005 Boeru A63F 3/00094
 463/9
 2007/0235934 A1 * 10/2007 Krejcik A63F 3/00214
 273/271
 2007/0252328 A1 * 11/2007 Mendoza A45C 9/00
 273/148 R
 2009/0261528 A1 * 10/2009 Oliver A63F 3/00214
 273/239
 2012/0122059 A1 * 5/2012 Schweikardt A63H 33/04
 434/118
 2016/0030854 A1 * 2/2016 Shaanti A63H 33/042
 446/85
 2016/0328996 A1 * 11/2016 Hamner A63F 3/00006

* cited by examiner

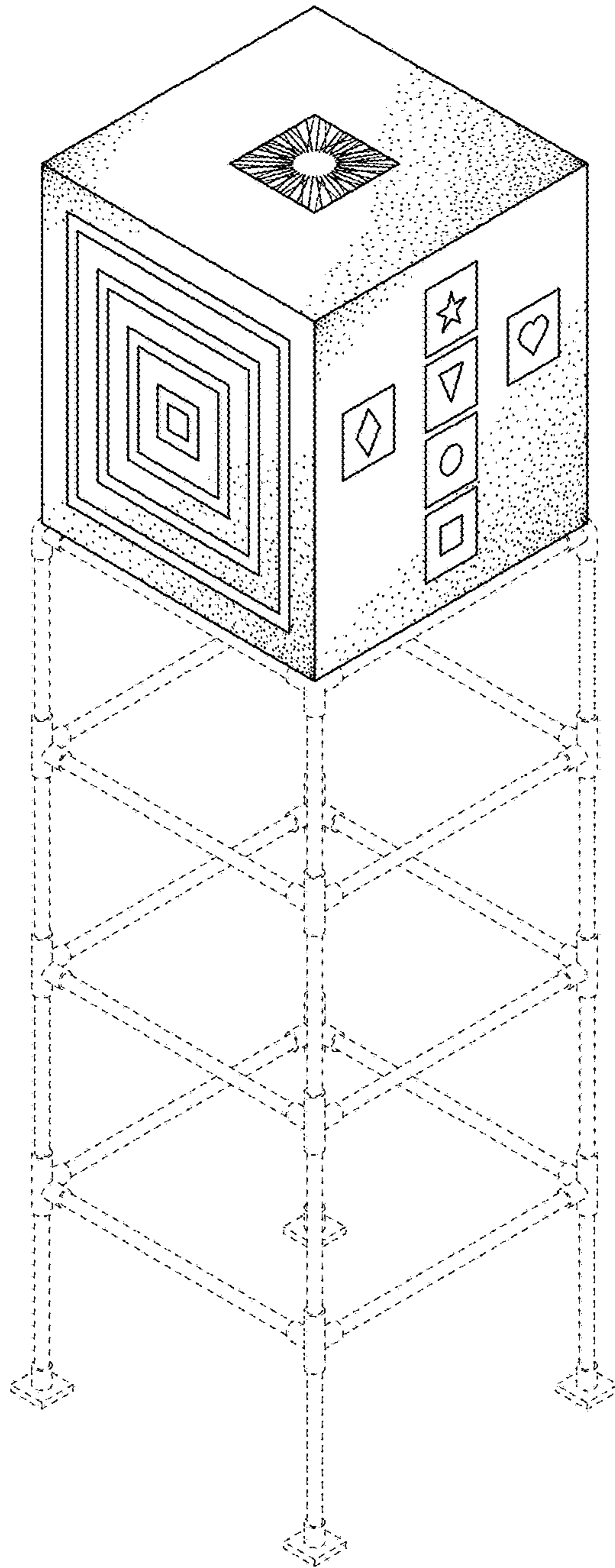


FIG. 1

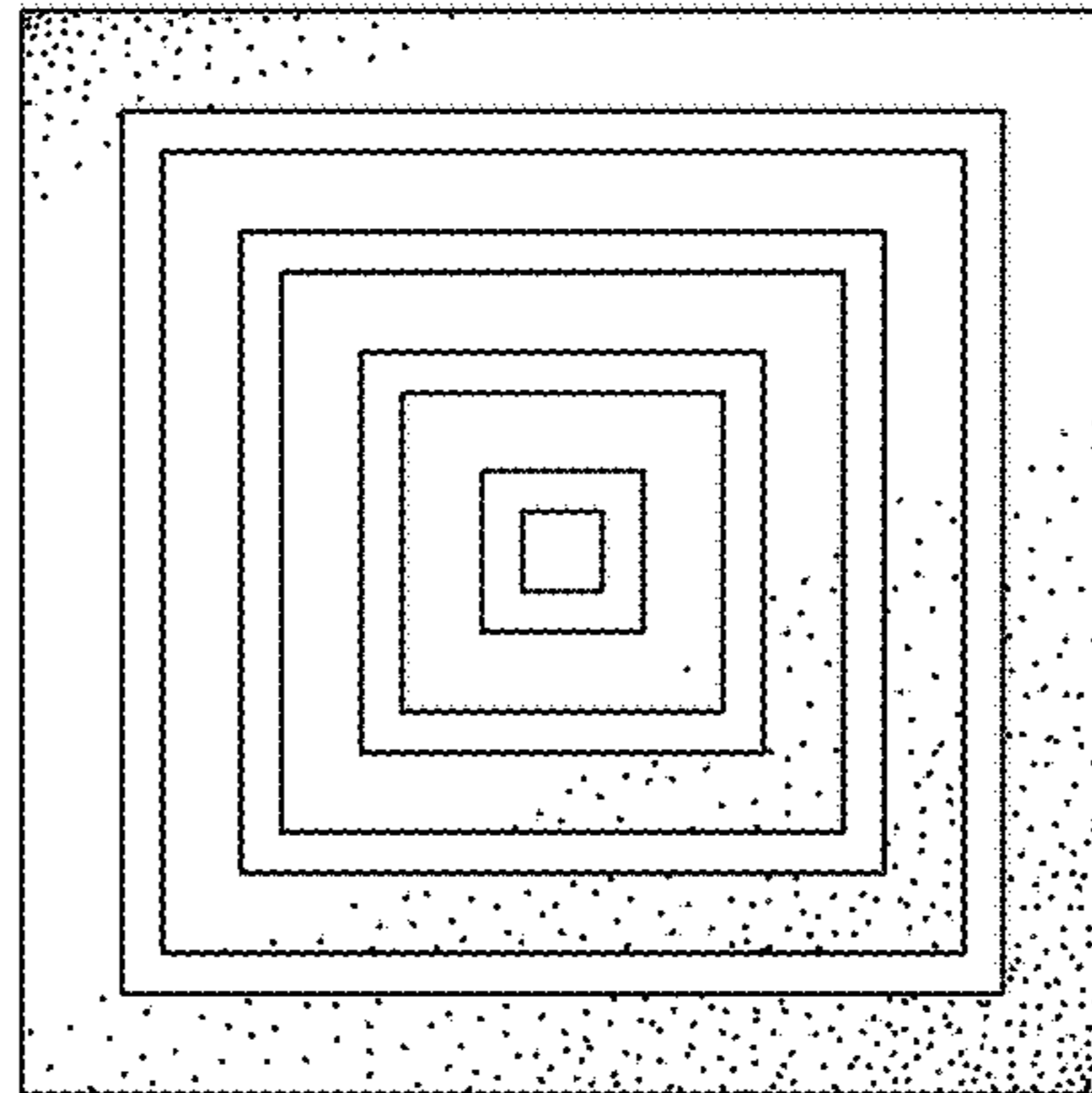


FIG. 2

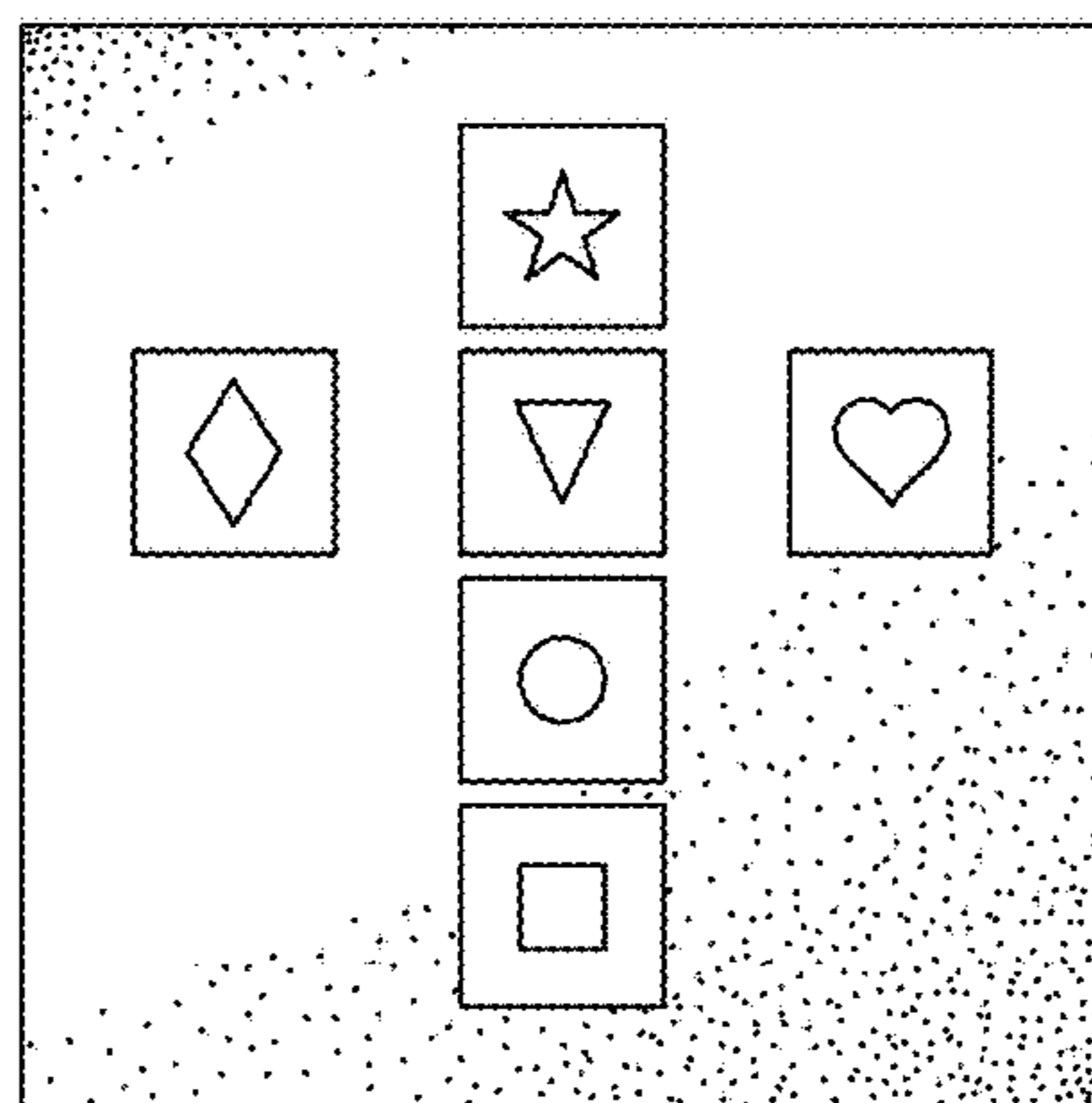


FIG. 3

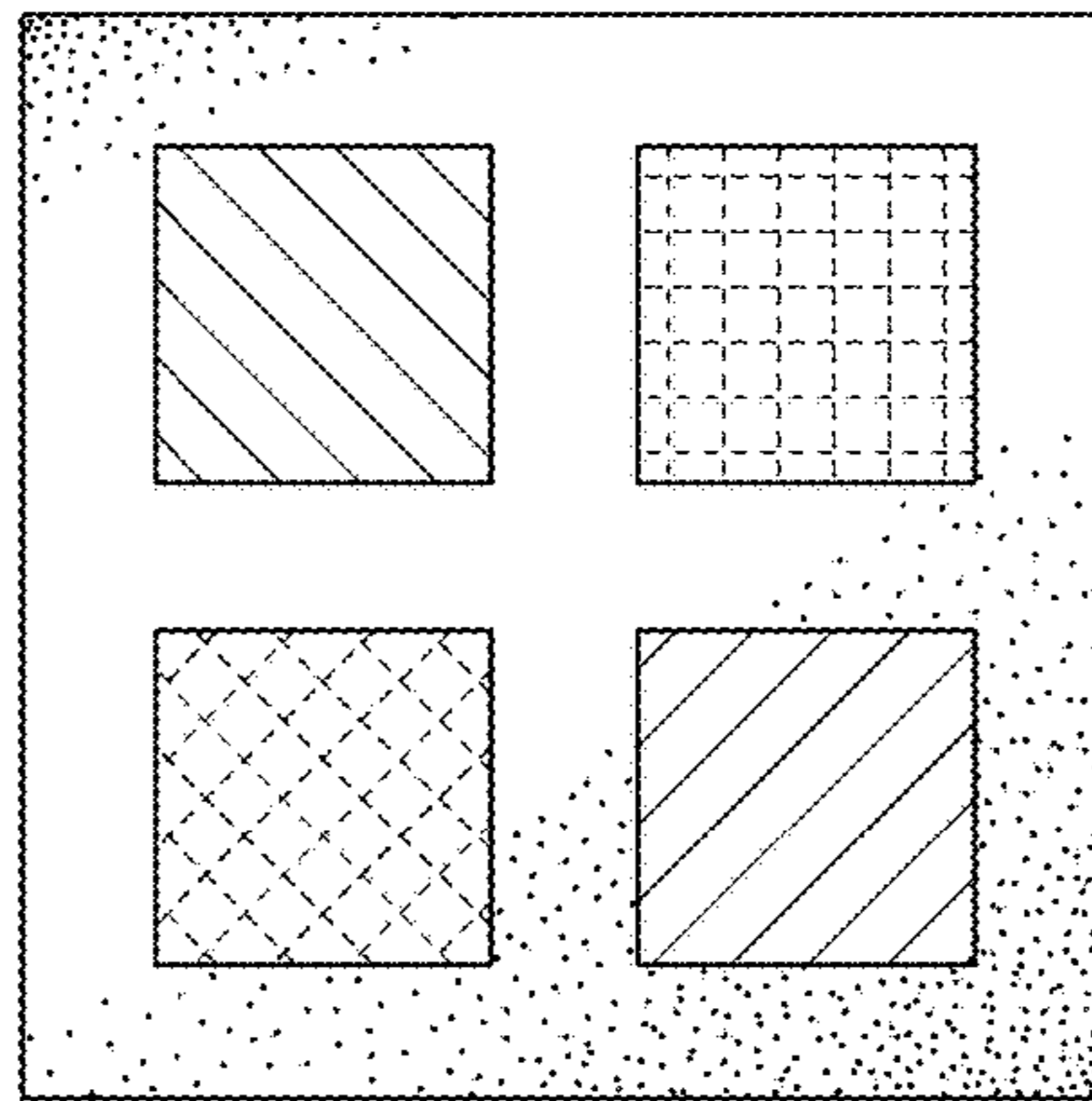


FIG. 4

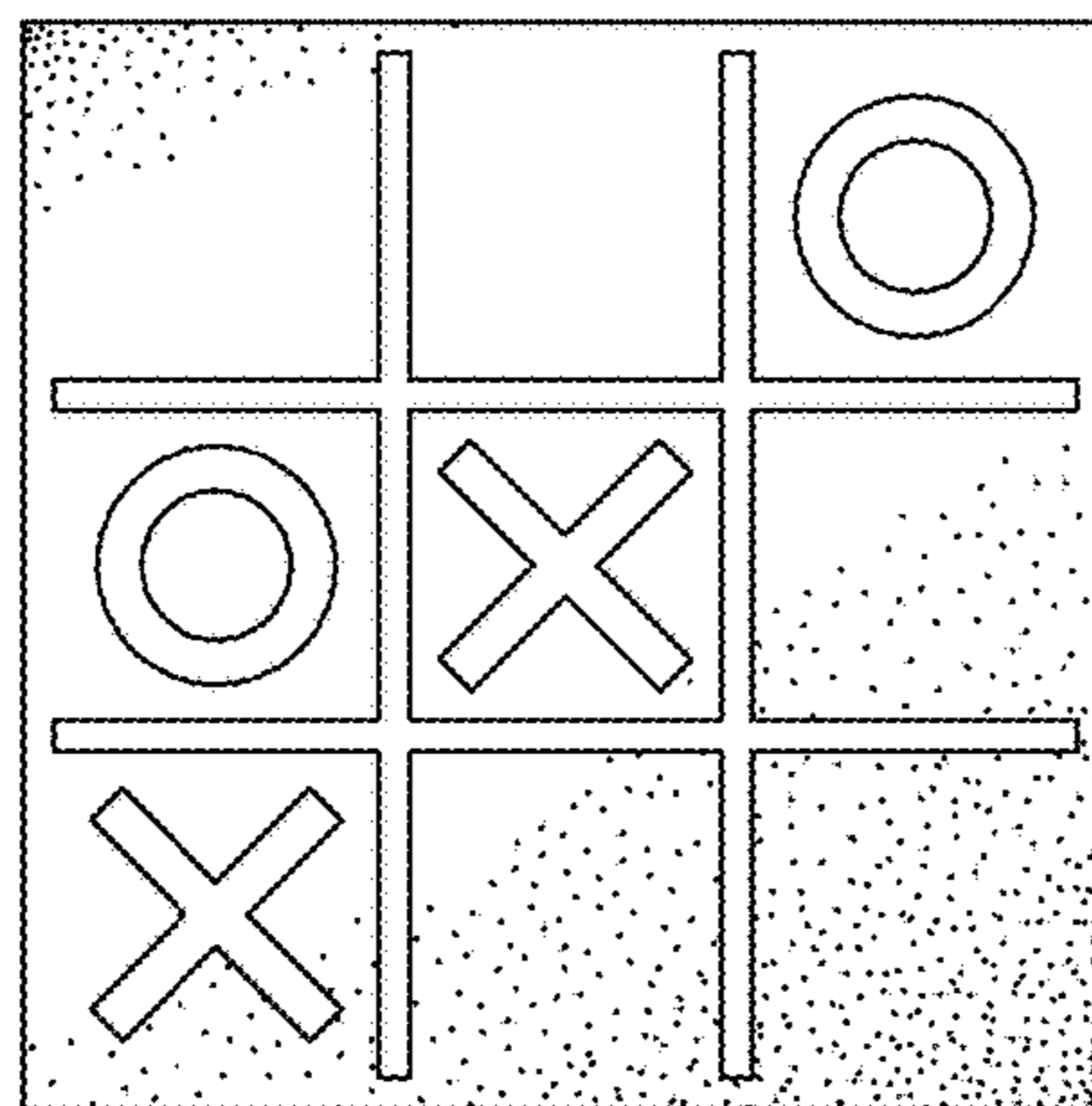


FIG. 5

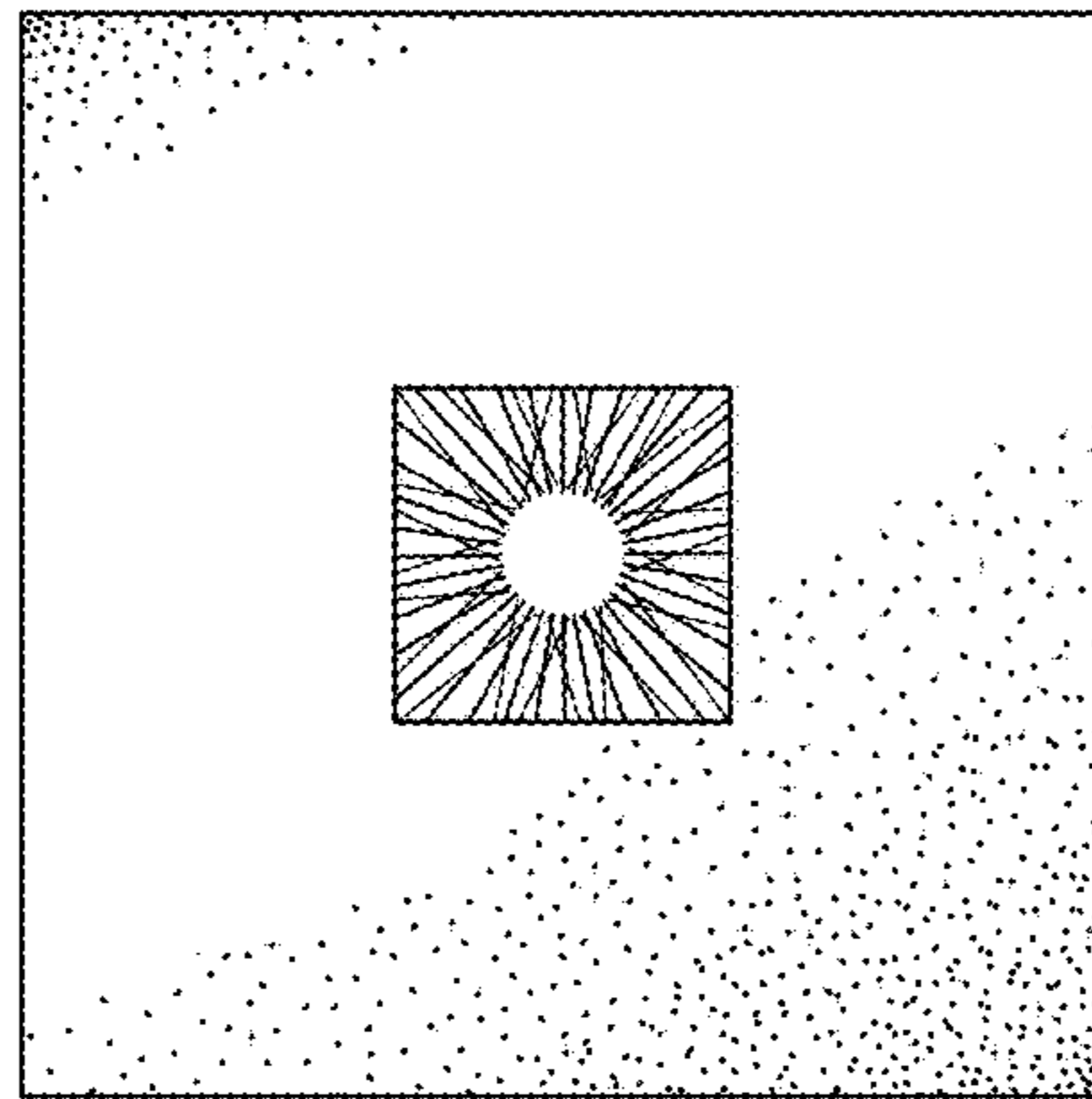


FIG. 6

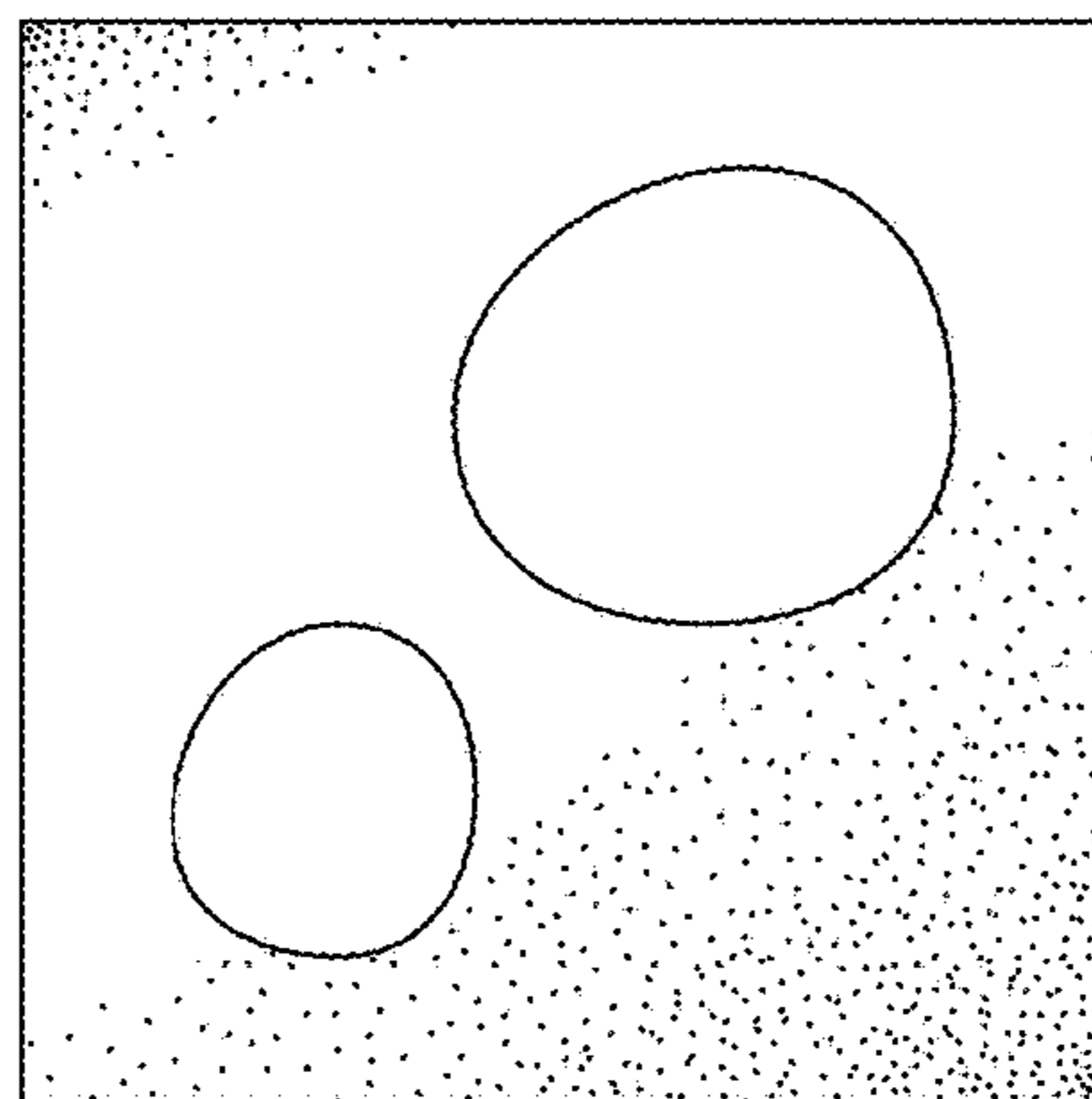


FIG. 7