



US00D855106S

(12) **United States Design Patent**
Morita

(10) **Patent No.:** **US D855,106 S**

(45) **Date of Patent:** **** Jul. 30, 2019**

- (54) **BOARD STAND**
- (71) Applicant: **Okamura Corporation**, Yokohama-shi, Kanagawa (JP)
- (72) Inventor: **Sayaka Morita**, Yokohama (JP)
- (73) Assignee: **Okamura Corporation**, Yokohama-shi, Kanagawa (JP)
- (**) Term: **15 Years**
- (21) Appl. No.: **29/641,889**
- (22) Filed: **Mar. 26, 2018**
- (30) **Foreign Application Priority Data**
 - Sep. 28, 2017 (JP) 2017-021370
- (51) **LOC (11) Cl.** **19-06**
- (52) **U.S. Cl.**
 - USPC **D19/113**
- (58) **Field of Classification Search**
 - USPC D6/300-314; D19/113, 114; D20/27, D20/29, 42, 43
 - CPC A47G 1/06; A47G 1/0616; A47G 1/0638; A47G 2001/0694; B43L 1/00; B43L 1/06; B43L 5/00; G09F 15/00; G09F 15/02; G09F 15/0012

See application file for complete search history.

- 2,677,347 A * 5/1954 Bump G09D 1/00 116/308
 - 2,950,015 A * 8/1960 Pataky A47B 43/04 211/182
 - 3,165,847 A * 1/1965 Gunderson E01F 9/688 16/374
 - D204,998 S * 6/1966 Klein 108/46
 - 3,960,273 A * 6/1976 Weston A47F 7/0246 211/4
 - 4,171,584 A * 10/1979 Kaiser G09F 7/10 40/109
 - 4,367,604 A * 1/1983 Porter, II G09F 7/10 40/564
 - D271,218 S * 11/1983 Farmer D20/10
 - 4,521,984 A * 6/1985 Murray G09F 7/10 40/490
 - 4,603,883 A * 8/1986 Barbieri B43L 3/00 211/45
 - D316,346 S * 4/1991 Jackson D6/300
- (Continued)

Primary Examiner — Elizabeth A. Albert
(74) *Attorney, Agent, or Firm* — Sughrue Mion, PLLC

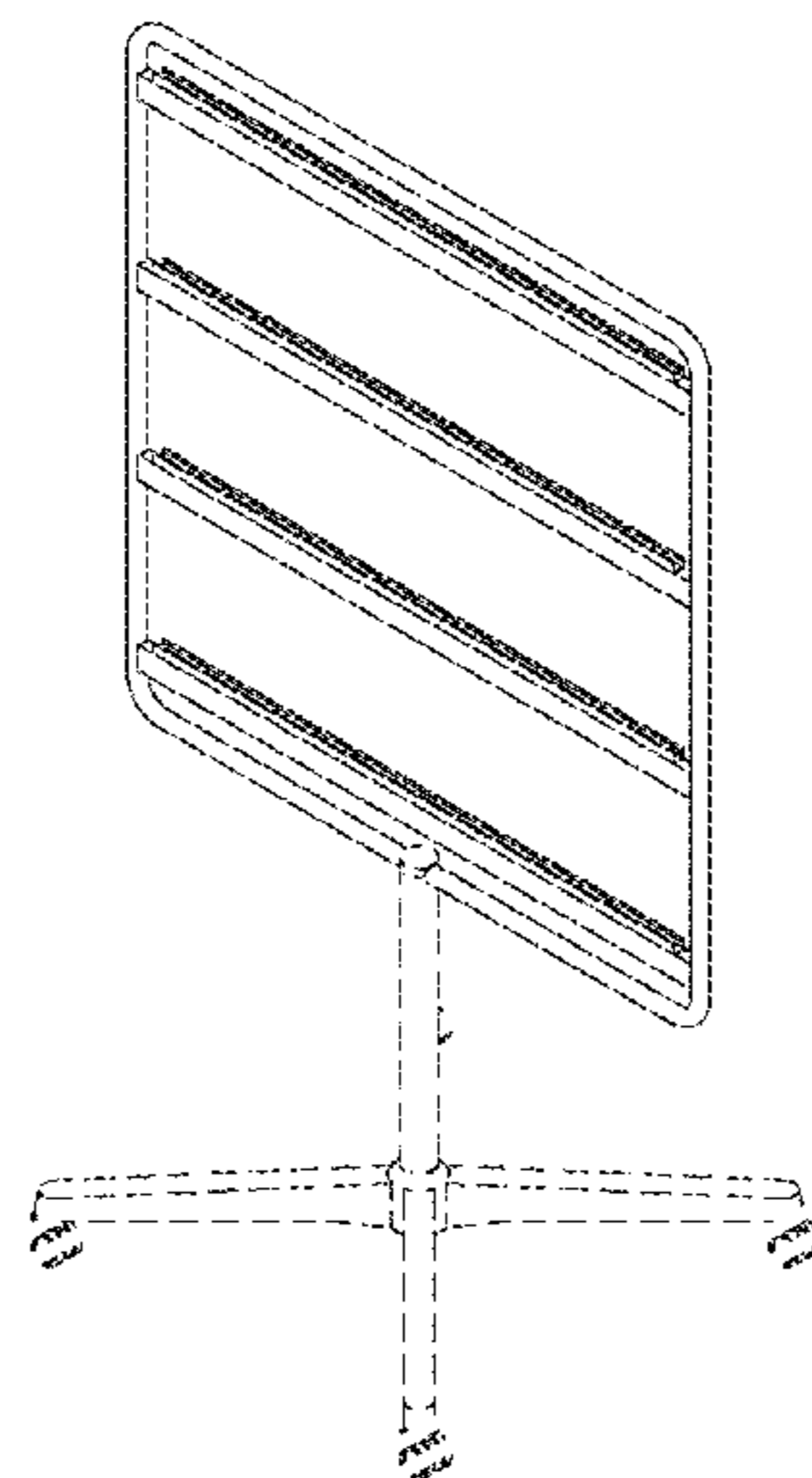
(57) **CLAIM**

The ornamental design for a board stand, as shown and described.

DESCRIPTION

FIG. 1 is a front perspective view of a board stand.
FIG. 2 is a front elevation view thereof.
FIG. 3 is a right side elevation view thereof. The left side elevation view is a mirror image of the right side elevation view.
FIG. 4 is a top plan view thereof.
FIG. 5 is a bottom plan view thereof.
FIG. 6 is an enlarged cross-sectional view taken along the line 6-6 in the FIG. 2; and,
FIG. 7 is another front elevation view thereof in use.
The broken lines shown in the drawings illustrate portions of the board stand that form no part of the claimed design.

1 Claim, 7 Drawing Sheets



(56)

References Cited

U.S. PATENT DOCUMENTS

D329,061 S * 9/1992 Szablak D19/86
5,259,517 A * 11/1993 Pancoe A47F 5/0846
211/163
5,284,256 A * 2/1994 Correll-Antoun A47B 63/00
211/198
5,636,463 A * 6/1997 Sharon G09F 7/10
40/568
5,743,414 A * 4/1998 Baudino B43K 23/001
211/69.1
5,931,301 A * 8/1999 Hadden A47F 7/163
206/449
6,665,970 B1 * 12/2003 Yun G09F 1/10
40/661
9,104,699 B2 * 8/2015 Kaprosy G06F 16/50
9,526,330 B2 * 12/2016 Weijian A47F 5/105
9,999,297 B1 * 6/2018 Arceta A47B 23/06

* cited by examiner

FIG. 1

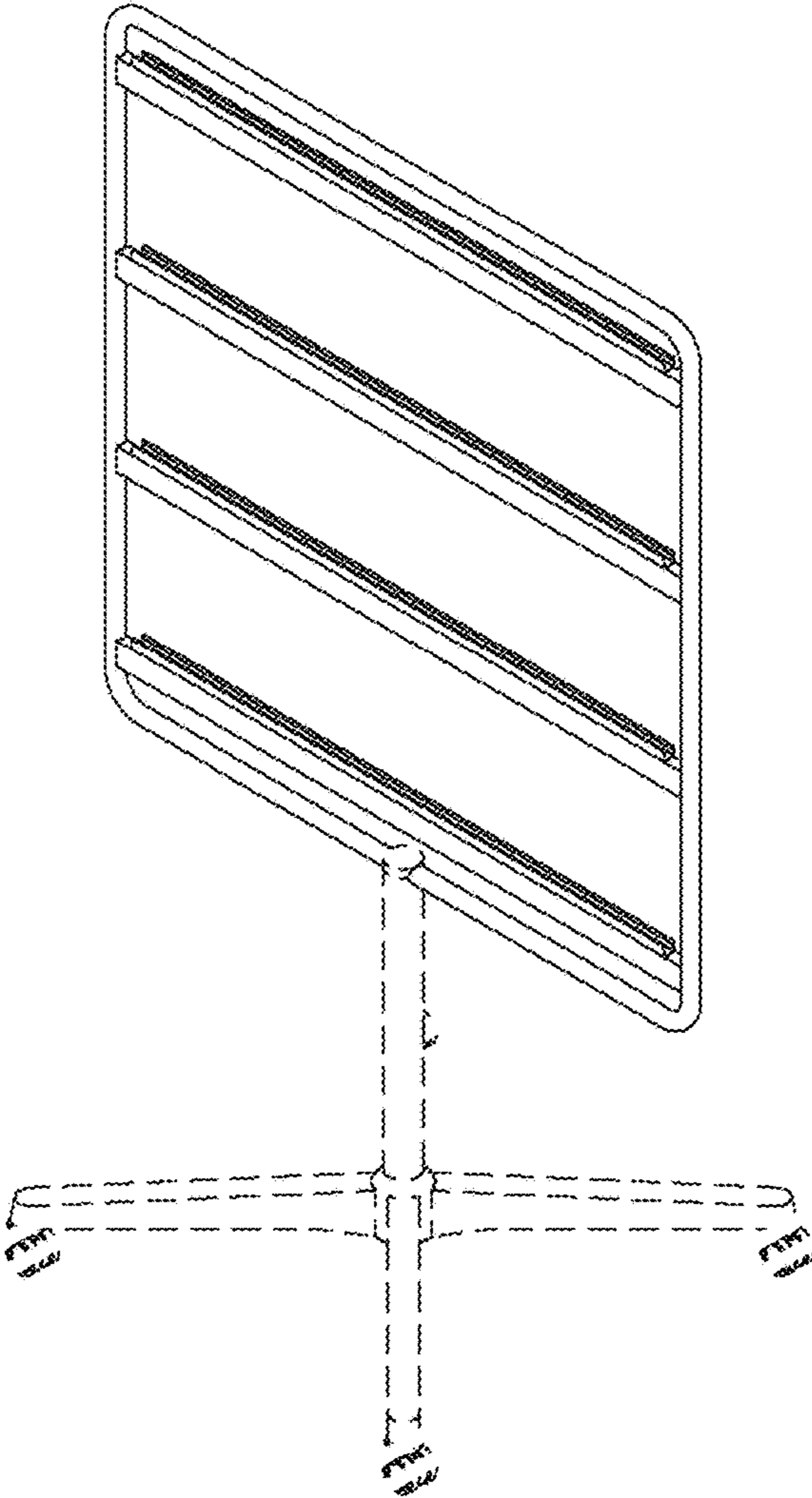


FIG. 2

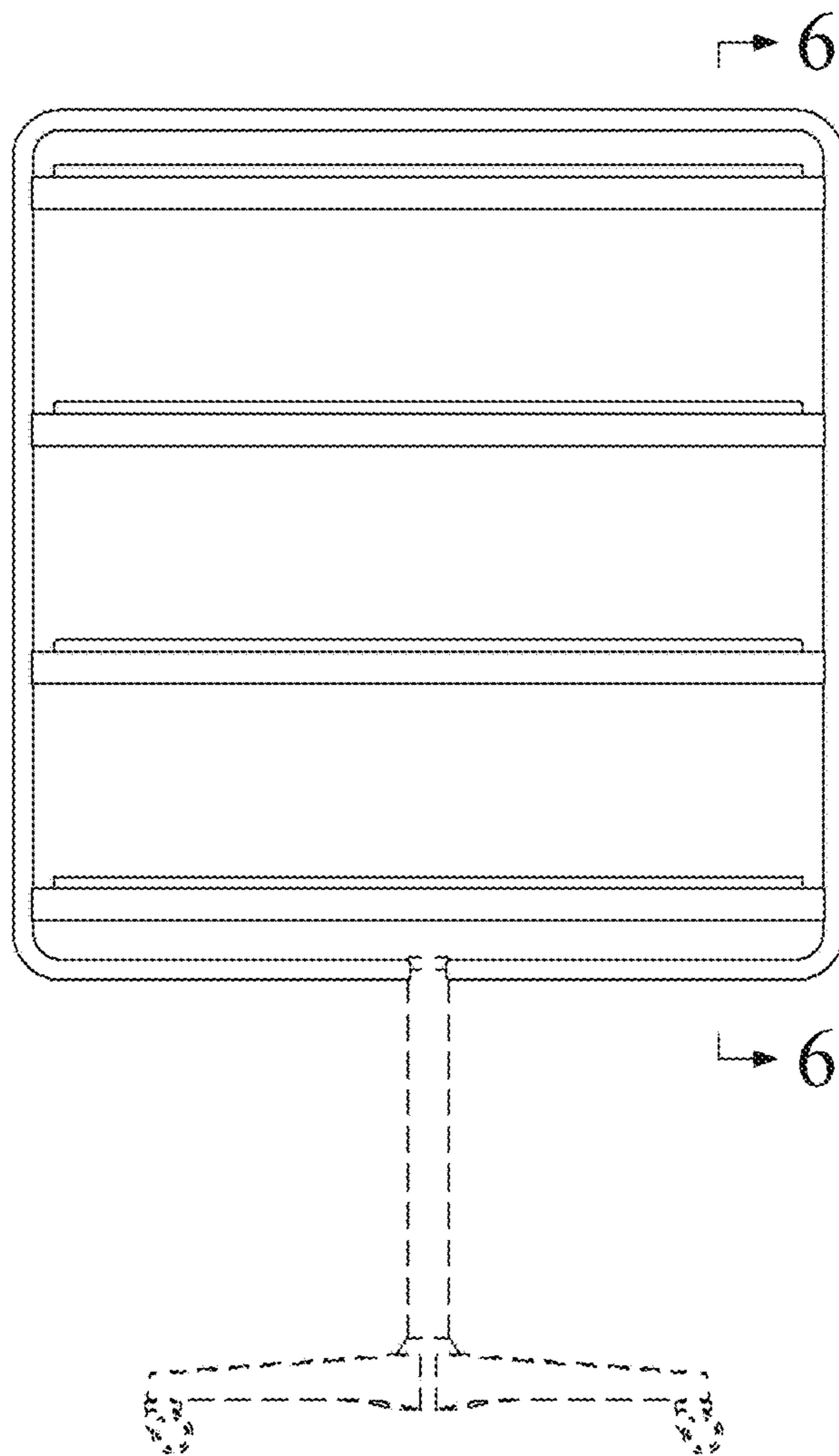


FIG. 3

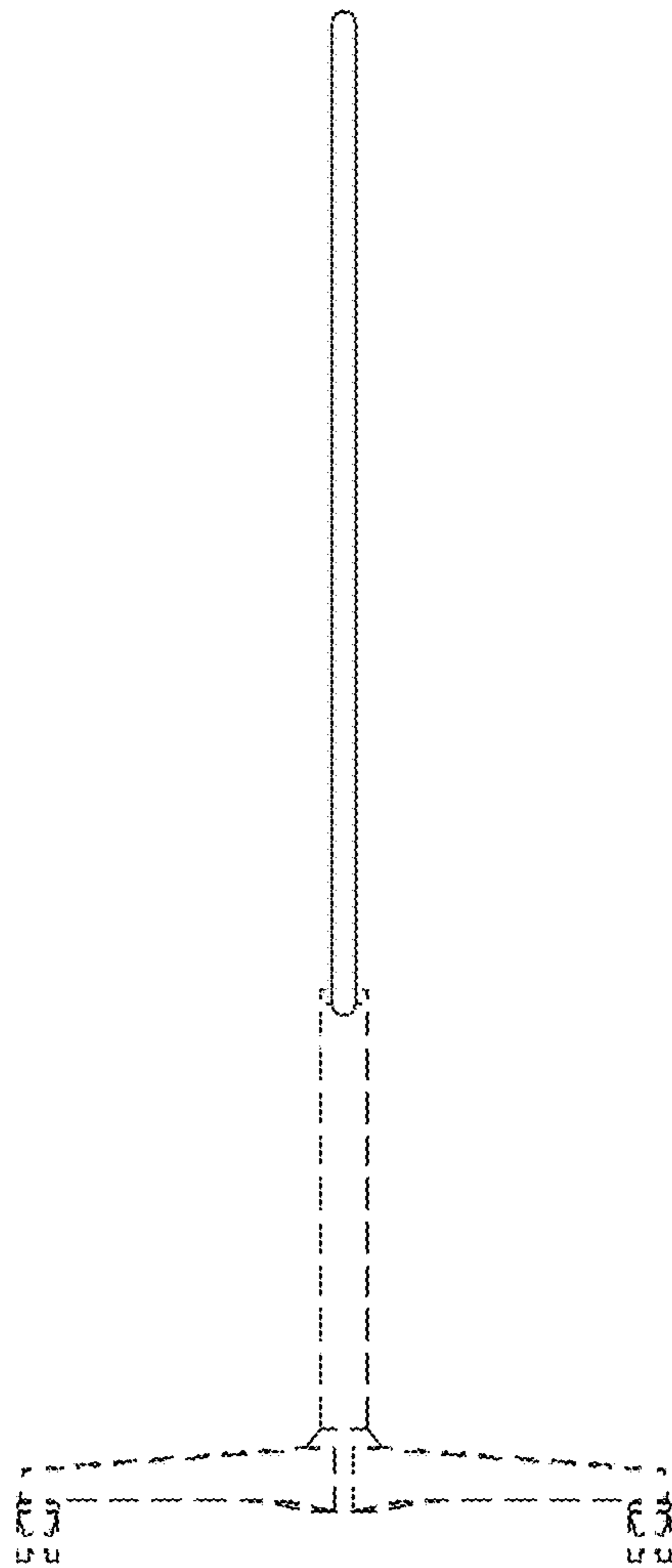


FIG. 4

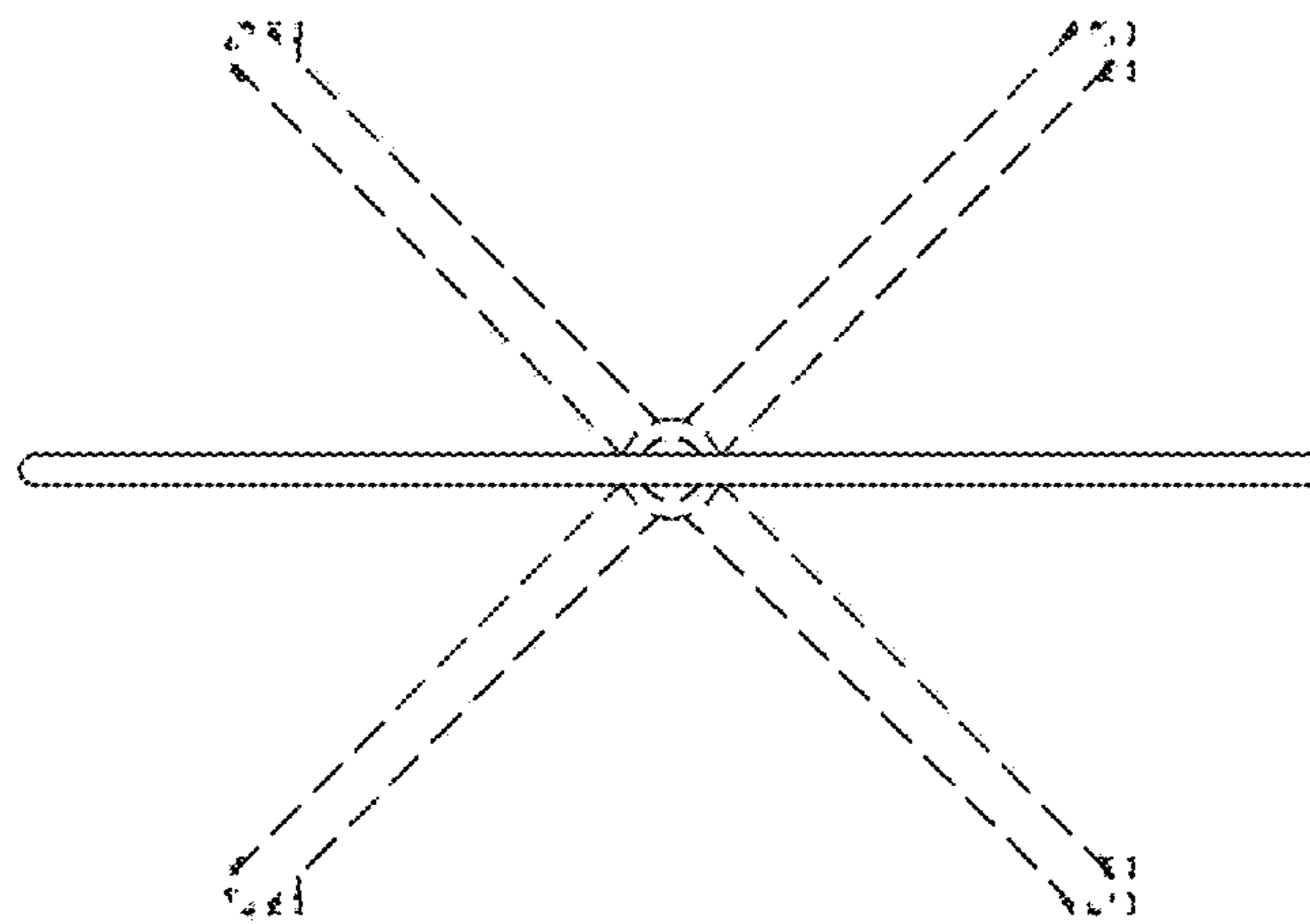


FIG. 5

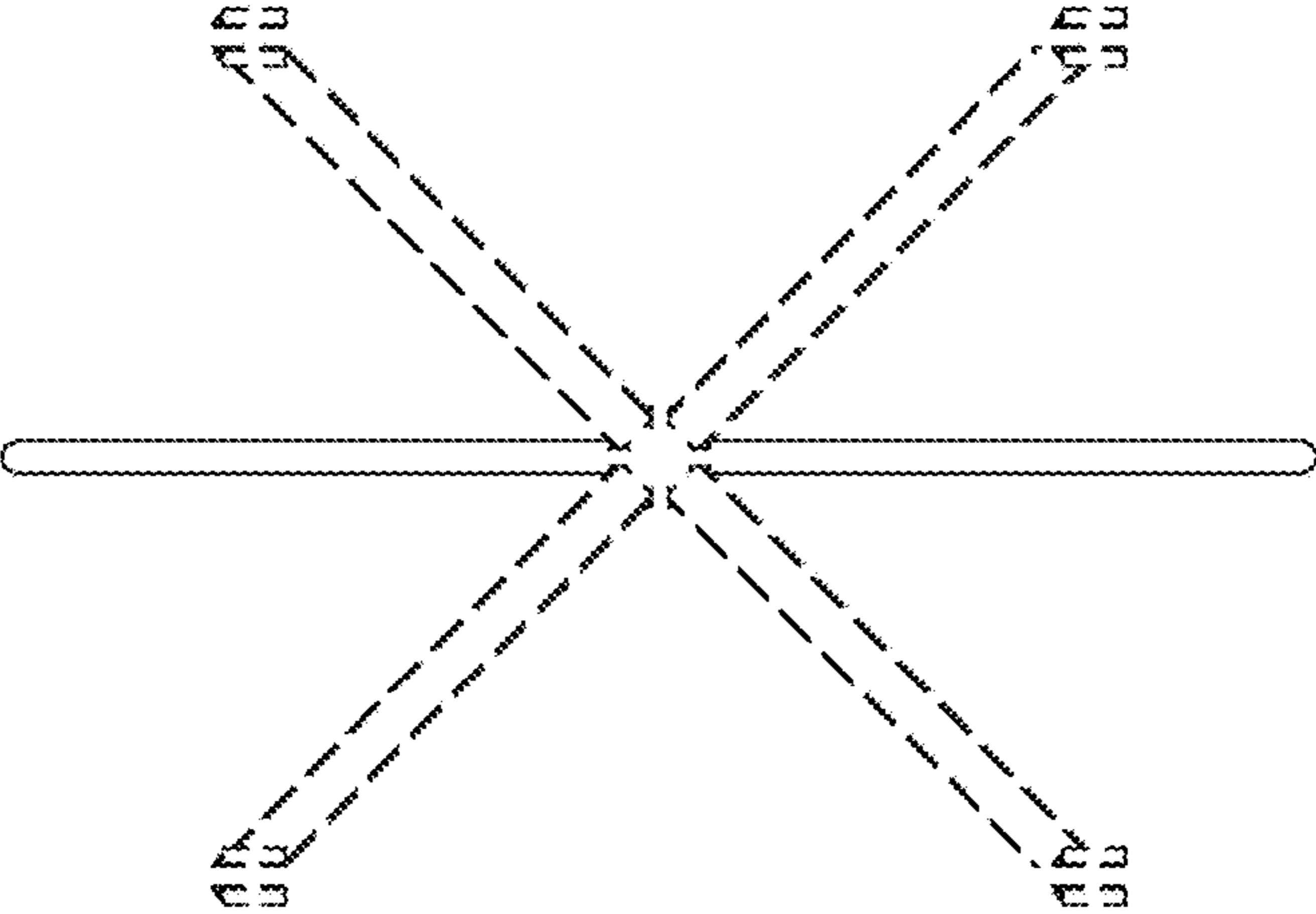


FIG. 6

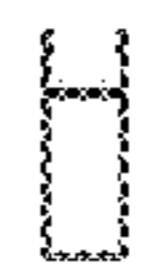


FIG. 7

