



US00D855104S

(12) **United States Design Patent**  
**Austermeier**

(10) **Patent No.:** **US D855,104 S**  
(45) **Date of Patent:** **\*\* Jul. 30, 2019**

(54) **COMPONENT FOR A LABELER MACHINE**

(71) Applicant: **Multivac Marking & Inspection GmbH & Co. KG, Enger (DE)**

(72) Inventor: **Georg Austermeier, Hövelhof (DE)**

(73) Assignee: **MULTIVAC MARKING & INSPECTION GMBH & CO. KG, Enger (DE)**

(\*\*) Term: **15 Years**

(21) Appl. No.: **29/543,171**

(22) Filed: **Oct. 21, 2015**

(30) **Foreign Application Priority Data**

Apr. 27, 2015 (EM) ..... 002690321

(51) **LOC (11) Cl.** ..... **18-99**

(52) **U.S. Cl.**  
USPC ..... **D18/19; D18/56**

(58) **Field of Classification Search**  
USPC ..... D8/343, 330, 331, 336, 349; 142/83, 58; 144/81; 147/82  
CPC ..... B65C 11/0242; B65C 2210/0018; B65C 2210/0081; B65C 2210/0064; Y10T 156/18; Y10T 156/1795  
See application file for complete search history.

(56) **References Cited**

**U.S. PATENT DOCUMENTS**

D118,594 S \* 1/1940 Heddon ..... D21/757  
4,149,460 A \* 4/1979 Sato ..... B41K 3/06  
101/110  
4,213,389 A \* 7/1980 Sato ..... B41K 5/003  
101/288  
4,479,843 A \* 10/1984 Neuhard ..... B65C 11/0242  
101/288  
4,488,671 A \* 12/1984 Hamisch, Jr. .... B65C 11/0247  
156/384

4,490,206 A \* 12/1984 Makley ..... B65C 11/0242  
101/288  
4,498,947 A \* 2/1985 Hamisch, Jr. .... B41J 2/32  
101/288  
4,511,422 A \* 4/1985 Hamisch, Jr. .... B41J 2/32  
101/288  
4,544,434 A \* 10/1985 Mistyurik ..... B41J 2/32  
101/288  
4,561,926 A \* 12/1985 Hamisch, Jr. .... B65C 11/0242  
101/288  
4,584,048 A \* 4/1986 Hamisch, Jr. .... B65C 11/0242  
101/288  
4,804,733 A \* 2/1989 Bataille ..... B29C 61/0608  
428/34.9

(Continued)

*Primary Examiner* — Mark A Goodwin

(74) *Attorney, Agent, or Firm* — Husch Blackwell LLP

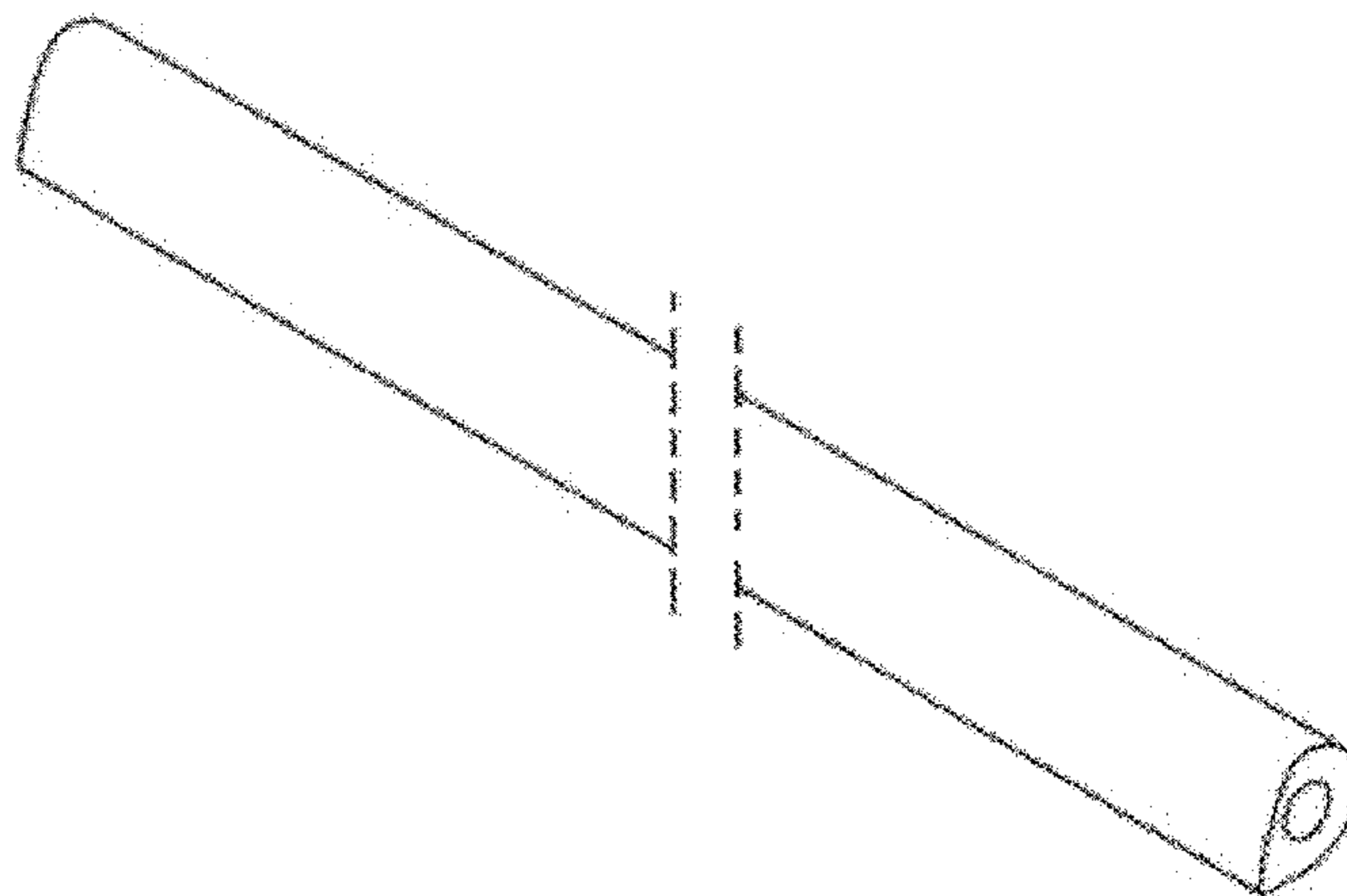
(57) **CLAIM**

The ornamental design for a component for a labeler machine, as shown and described.

**DESCRIPTION**

FIG. 1 is a perspective view of the design of a component for a labeler machine;  
FIG. 2 is a front side view of the component for a labeler machine shown in FIG. 1;  
FIG. 3 is a left side view of the component for a labeler machine shown in FIG. 1;  
FIG. 4 is a right side view of the component for a labeler machine shown in FIG. 1; and  
FIG. 5 is a rear side view of the component for a labeler machine shown in FIG. 1.  
FIG. 6 is a top side view of the component for a labeler machine shown in FIG. 1; and  
FIG. 7 is a bottom side view of the component for a labeler machine shown in FIG. 1.  
All broken lines indicate boundaries and form no part of the claimed design.

**1 Claim, 2 Drawing Sheets**



(56)

**References Cited**

U.S. PATENT DOCUMENTS

5,251,896 A \* 10/1993 Gerlach ..... A63B 53/10  
473/317  
5,873,793 A \* 2/1999 Swinford ..... A63B 53/10  
473/317  
D469,135 S \* 1/2003 Bell ..... D21/662  
6,863,618 B2 \* 3/2005 Perry ..... A63B 53/007  
473/242  
D556,281 S \* 11/2007 Bamber ..... D21/757  
D569,940 S \* 5/2008 Lemire ..... D21/757  
D641,443 S \* 7/2011 Watson ..... D21/756  
D650,028 S \* 12/2011 Duhamel ..... D21/757  
D661,961 S \* 6/2012 Bystedt ..... D8/70  
D695,372 S \* 12/2013 Button ..... D21/756  
D806,620 S \* 1/2018 Burch, V ..... D12/179  
2015/0142157 A1 \* 5/2015 Daugherty ..... B21D 7/04  
700/114

\* cited by examiner

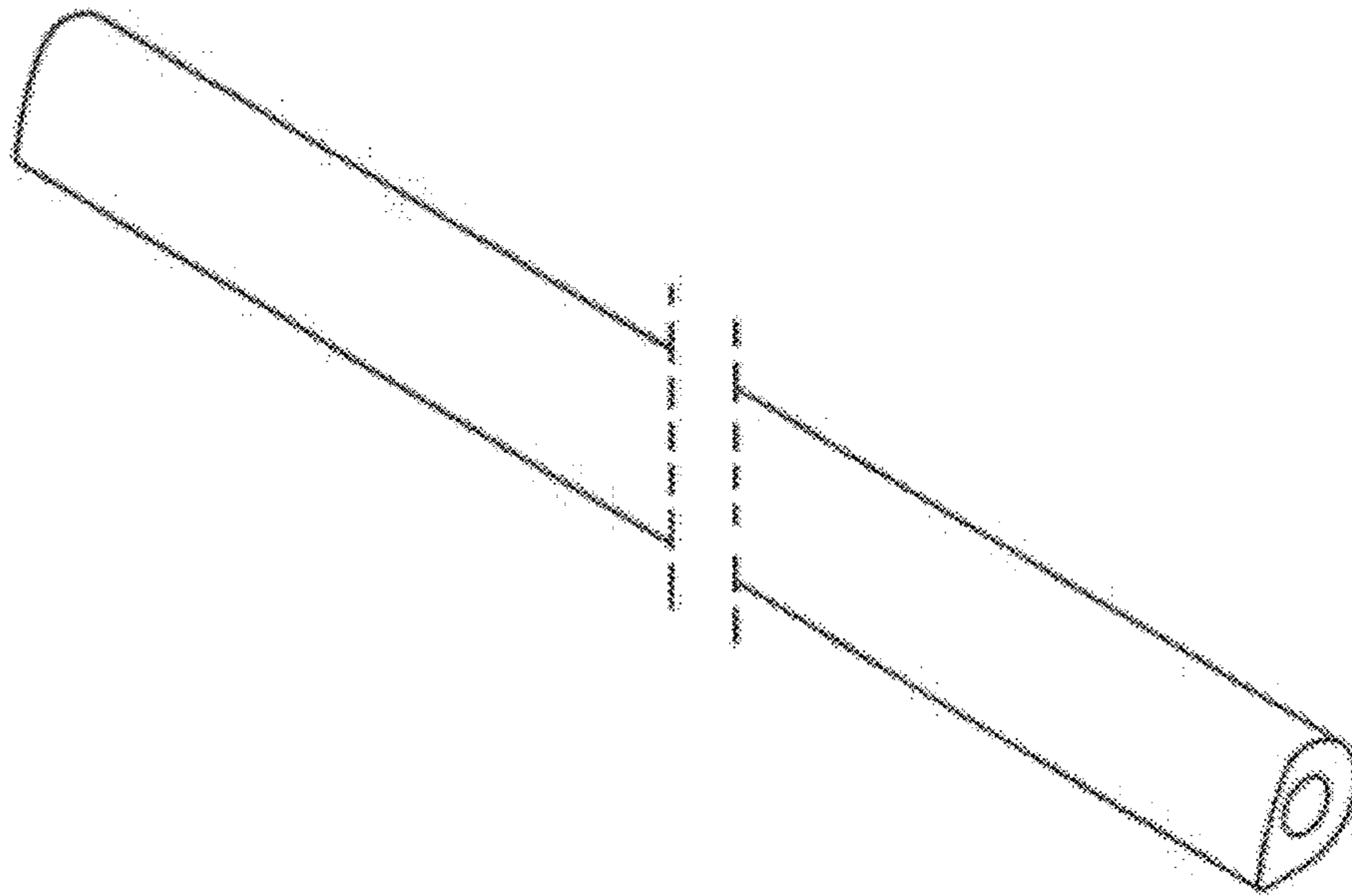


FIG. 1

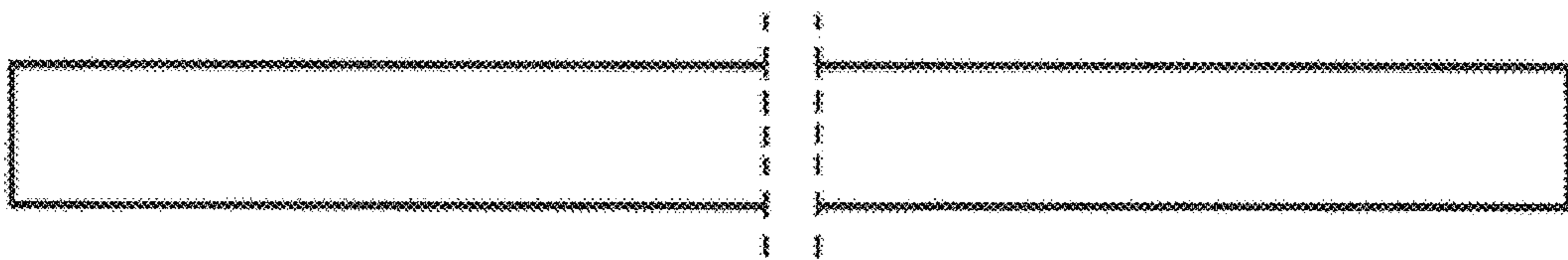


FIG. 2

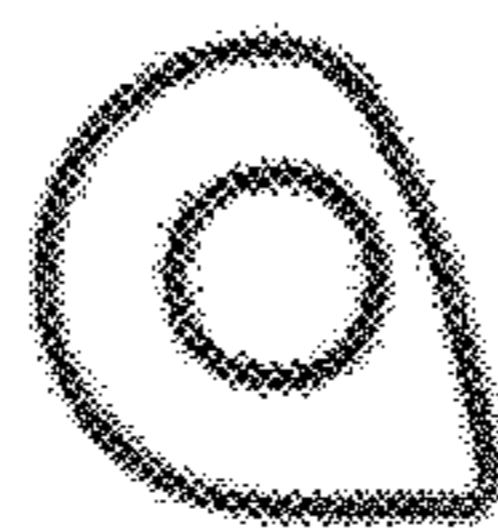


FIG. 3



FIG. 4

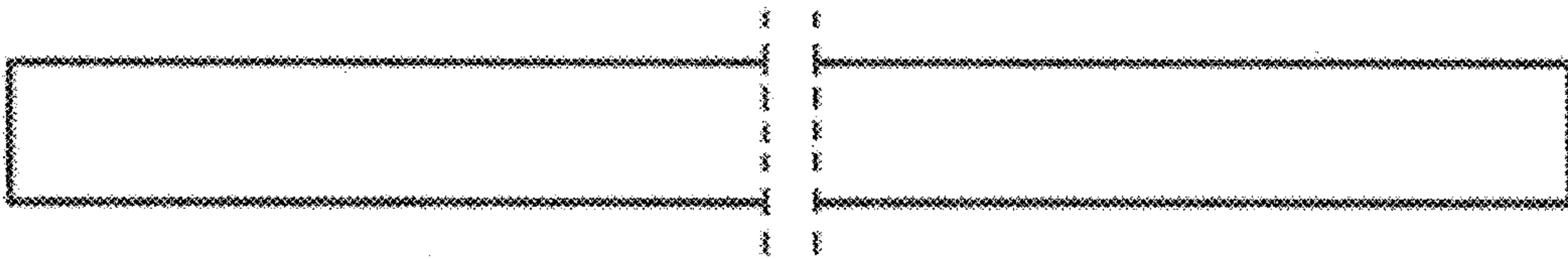


FIG. 5

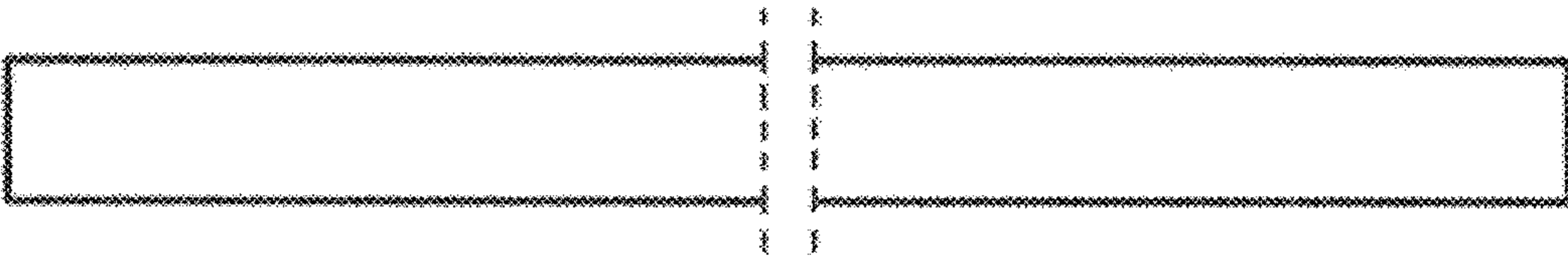


FIG. 6

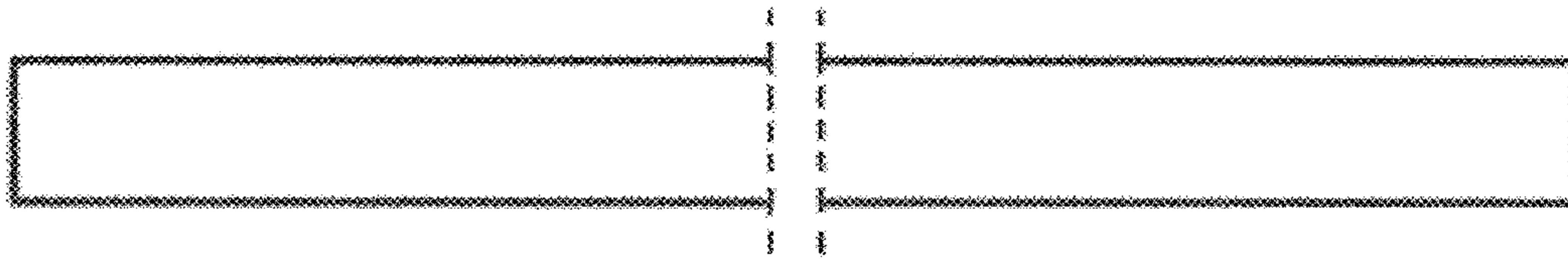


FIG. 7