



US00D855100S

(12) **United States Design Patent** (10) **Patent No.:** **US D855,100 S**
Southwood (45) **Date of Patent:** **** Jul. 30, 2019**

(54) **MOUNTABLE TRAIL CAMERA VISOR**
(71) Applicant: **Bradford Southwood**, Monticello, KY (US)
(72) Inventor: **Bradford Southwood**, Monticello, KY (US)
(73) Assignee: **Southwood's Outdoors, LLC**, Monticello, KY (US)

D558,250 S * 12/2007 Hsia D16/203
D624,950 S * 10/2010 Hall, Jr. D16/237
D691,187 S * 10/2013 Seo D16/203
D708,656 S * 7/2014 Shapir D16/238
D710,926 S * 8/2014 Li D16/237
D751,239 S * 3/2016 Chen D26/118
2011/0194184 A1* 8/2011 Barton G03B 11/04
359/601
2016/0088752 A1* 3/2016 Zaccaria A45C 7/0036
348/376
2016/0234952 A1* 8/2016 Lozano, IV H04N 5/2251
2017/0049321 A1* 2/2017 Nguyen A61B 3/12
2017/0255081 A1* 9/2017 Cook A44B 11/25

(**) Term: **15 Years**

* cited by examiner

(21) Appl. No.: **29/594,484**

Primary Examiner — Barbara Fox

(22) Filed: **Feb. 17, 2017**

Assistant Examiner — Mary C Ramirez

(51) **LOC (11) Cl.** **16-04**

(74) *Attorney, Agent, or Firm* — Francis Law Firm

(52) **U.S. Cl.**

PLLC; James M. Francis

USPC **D16/250**

(58) **Field of Classification Search**

(57) **CLAIM**

USPC D16/200–220, 131, 237, 242, 239, 250,
D16/235, 130, 134, 136; D26/118,
D26/138–140; D30/110, 119, 124
CPC H04M 2250/52; H04N 5/2251; H04N
5/2252; H04N 5/2253; H01H 2231/046;
G02B 13/00; G02B 13/19621; G03B
11/048; G03B 11/04; G03B 11/041;
G03B 11/043; G03B 11/045
See application file for complete search history.

I claim the ornamental design for a mountable trail camera visor, as shown and described.

DESCRIPTION

(56) **References Cited**

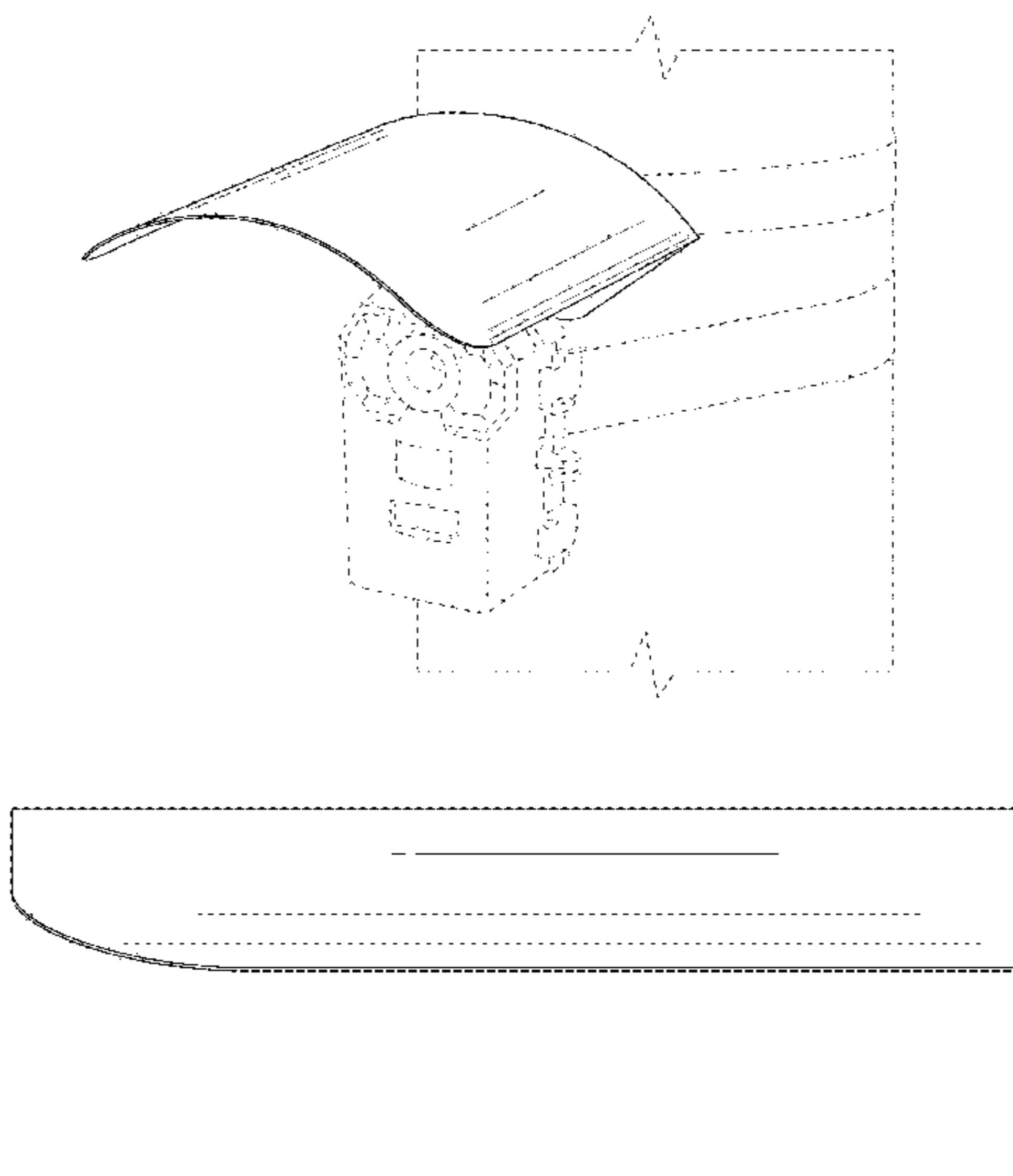
U.S. PATENT DOCUMENTS

3,049,093 A * 8/1962 Oliver A01K 39/014
119/430
D265,939 S * 8/1982 Kilham 119/57.8
D383,243 S * 9/1997 Fry D26/118
D410,242 S * 5/1999 Fleck D16/136
D432,708 S * 10/2000 Wachter D26/118
D492,799 S * 7/2004 Friedman D26/26
D554,169 S * 10/2007 Peng D16/203

FIG. 1 is a front, top, right side view of a mountable trail camera visor showing my new design;
FIG. 2 is a front view thereof;
FIG. 3 is a rear view thereof;
FIG. 4 is a right side view thereof;
FIG. 5 is a left side view thereof;
FIG. 6 is a top view thereof; and,
FIG. 7 is a bottom view thereof.

The broken lines shown in FIG. 1 depict environmental subject matter and form no part of the claimed design. The broken lines shown in FIGS. 2 and 3 depict portions of the mountable trail camera visor that form no part of the claimed design.

1 Claim, 6 Drawing Sheets



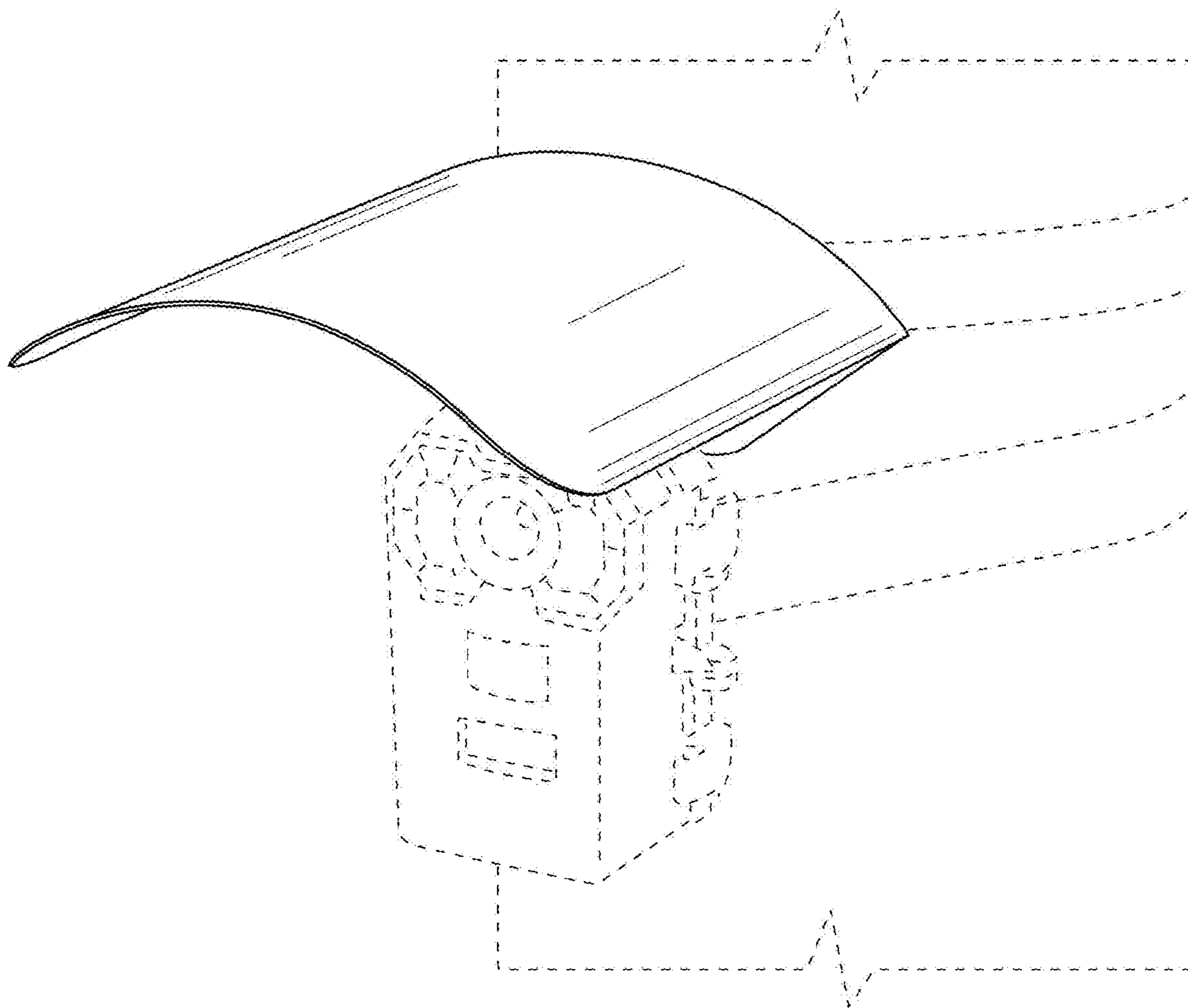


FIG. 1

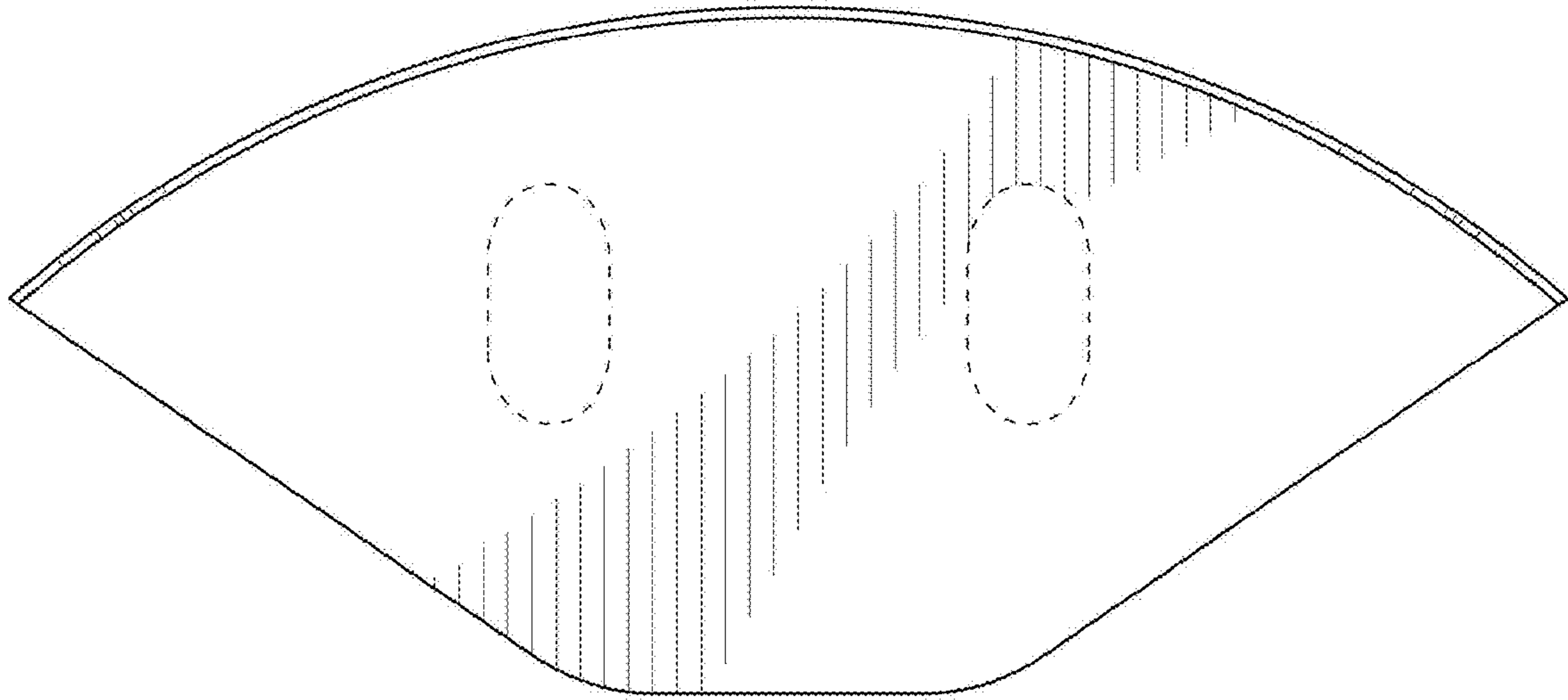


FIG. 2

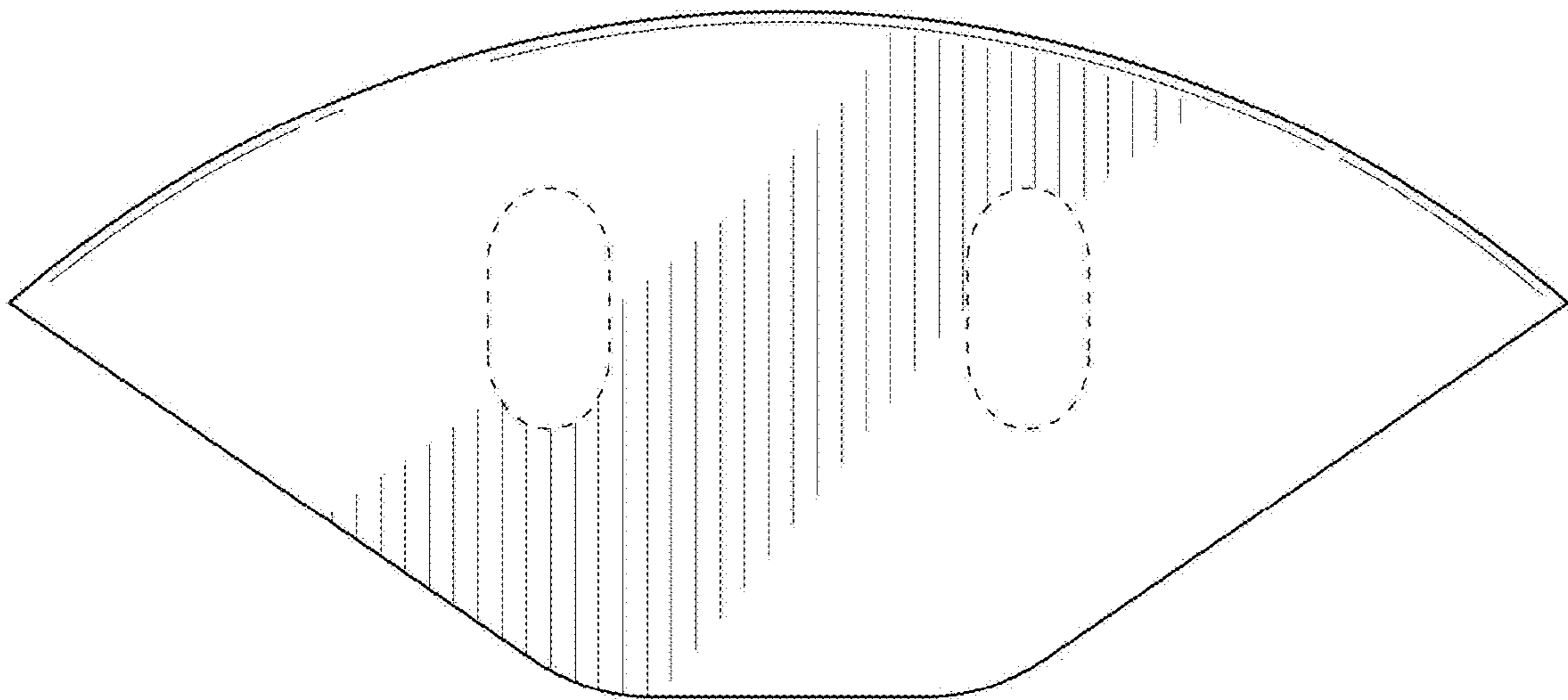


FIG. 3

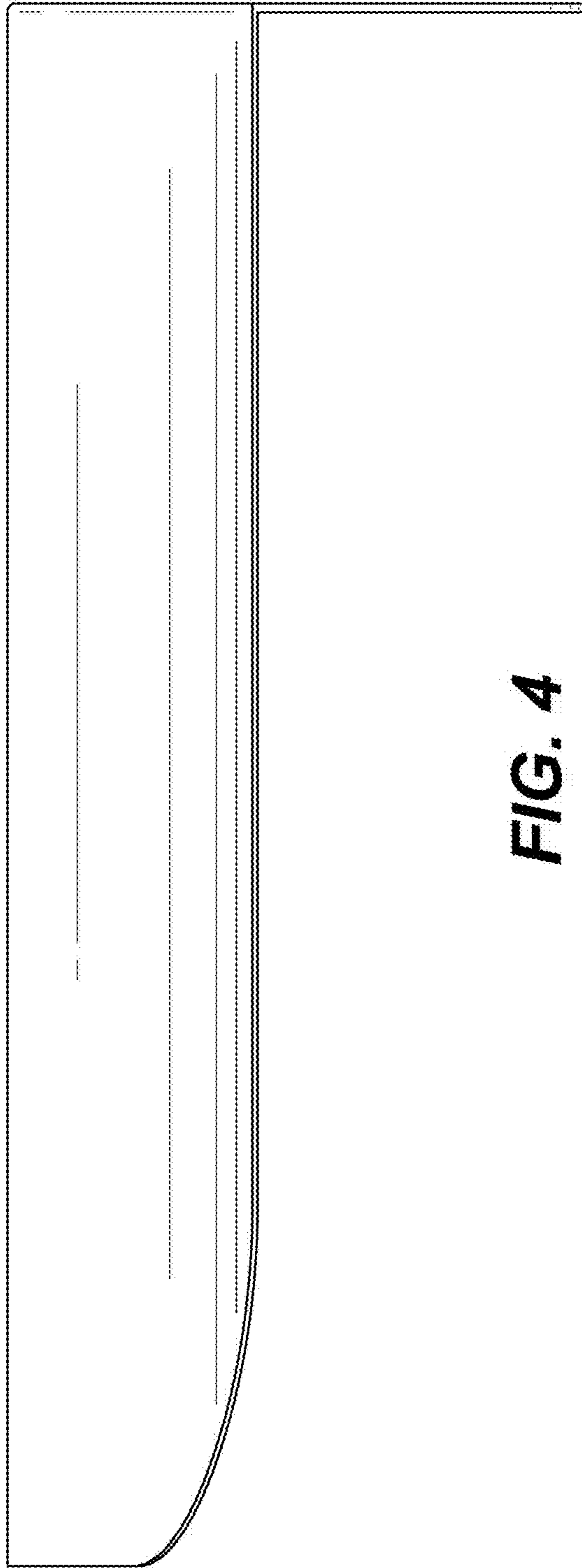


FIG. 4

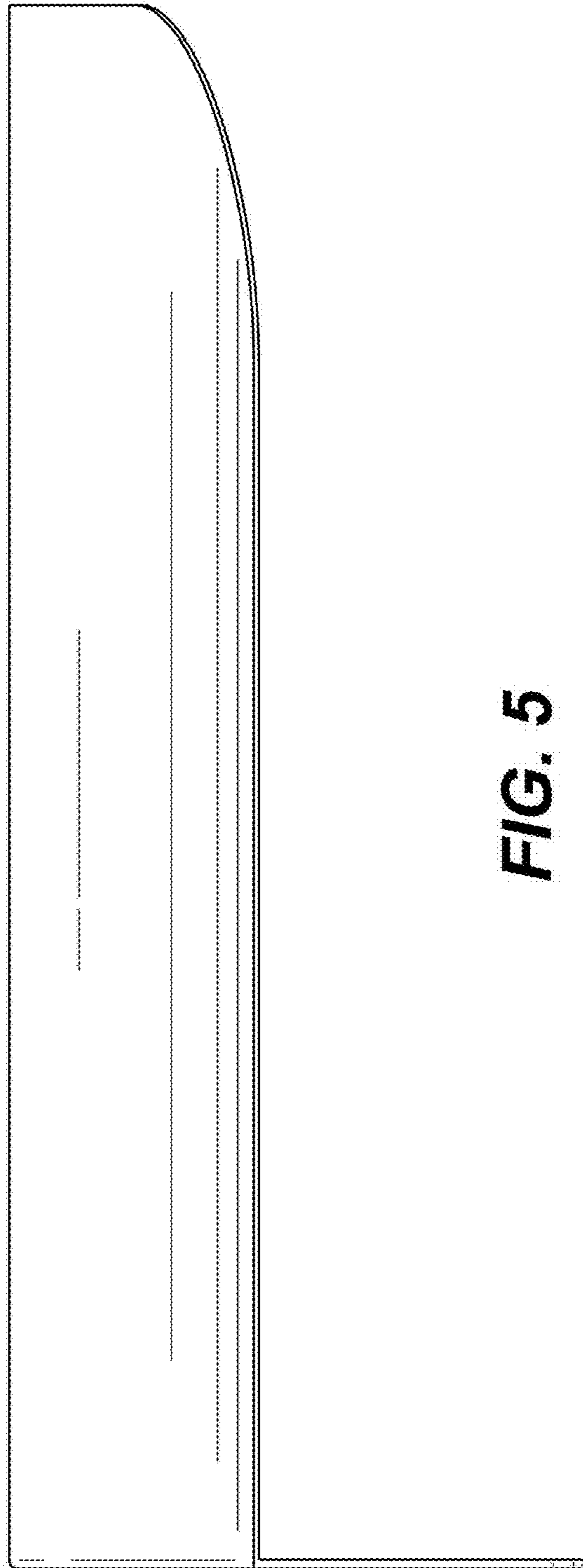


FIG. 5

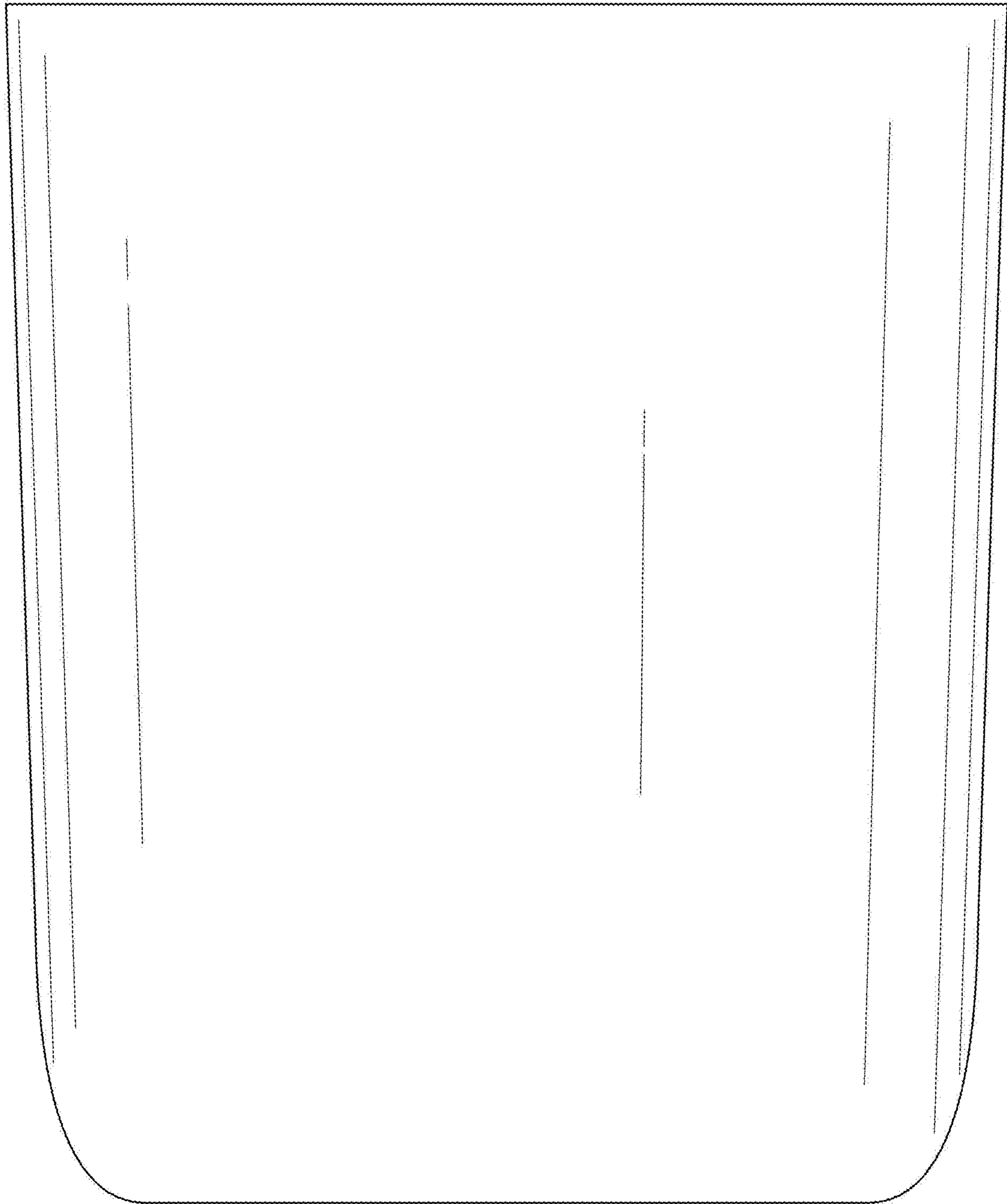


FIG. 6

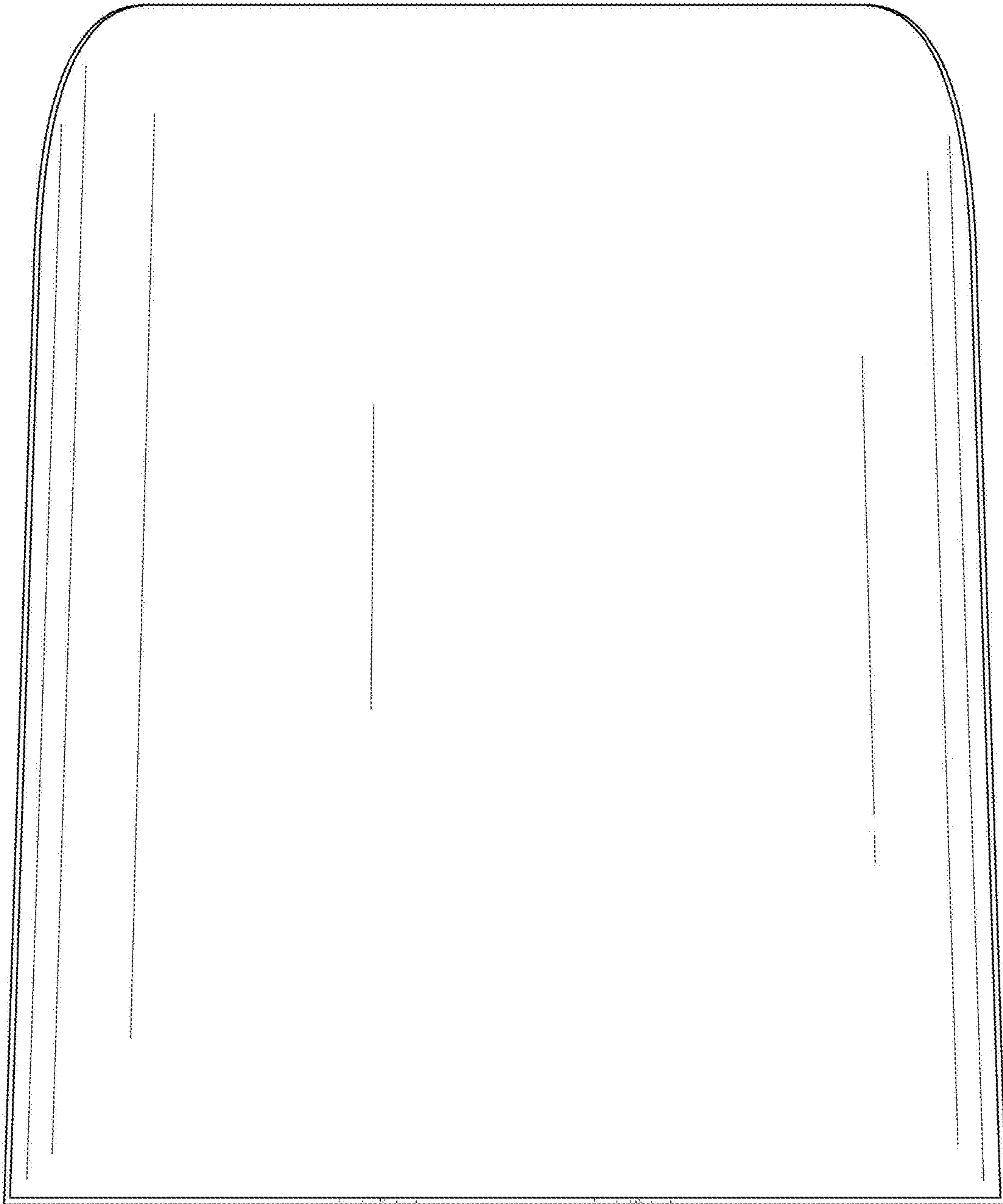


FIG. 7