



US00D855099S

(12) **United States Design Patent**
Imai

(10) **Patent No.:** **US D855,099 S**
(45) **Date of Patent:** **** Jul. 30, 2019**

(54) **DIGITAL CAMERA**

(71) Applicant: **FUJIFILM Corporation**, Tokyo (JP)

(72) Inventor: **Masazumi Imai**, Saitama (JP)

(73) Assignee: **FUJIFILM Corporation**, Tokyo (JP)

(**) Term: **15 Years**

(21) Appl. No.: **29/595,191**

(22) Filed: **Feb. 27, 2017**

(30) **Foreign Application Priority Data**

Aug. 31, 2016 (JP) 2016-018658

(51) **LOC (11) Cl.** **16-05**

(52) **U.S. Cl.**
USPC **D16/219**

(58) **Field of Classification Search**
USPC D16/200–220, 131, 250, 163; D8/16,
D8/373

CPC ... G02B 7/02; G02B 7/04; G02B 7/14; G02B
3/14; G03B 17/00; G03B 17/02; G03B
17/56; G03B 17/04; G03B 17/14; G03B
15/03; G03B 9/08; H04N 5/2251; H04N
5/2252; H04N 5/2253; H04N 5/2254;
H04N 7/00; H04N 2101/00; F16M 13/00
See application file for complete search history.

(56) **References Cited**

U.S. PATENT DOCUMENTS

D92,830 S * 7/1934 Teague D16/217
D175,571 S * 9/1955 Teague et al. D16/211
D192,849 S * 5/1962 McEvoy et al. D8/373
D204,480 S * 4/1966 Skarsten 15/236.08
D207,211 S * 3/1967 Geib D24/174
D230,132 S * 1/1974 Pastva, Jr. D8/302
D235,619 S * 7/1975 Ziaylek, Jr. D34/6
D270,424 S * 9/1983 Weinerman D8/21
D271,305 S * 11/1983 Kostiner D16/250
D285,439 S * 9/1986 Nagele D13/110

D288,171 S * 2/1987 Dey D8/366
D305,861 S * 2/1990 Kautt D8/330
D308,881 S * 6/1990 Steed D16/208
D337,158 S * 7/1993 Summers D24/136
D361,583 S * 8/1995 Mori D16/202

(Continued)

FOREIGN PATENT DOCUMENTS

CN 304206117 * 7/2017

OTHER PUBLICATIONS

Workshop for new Fujifilm GFX 50S Medium Format Mirrorless Camera, published Oct. 6, 2017 [online], [retrieved Feb. 27, 2018], Available from Internet, URL: <https://micaphoto.com/2017/10/06/workshop-for-new-fujifilm-gfx-50s-medium-format-mirrorless-camera/>.*

(Continued)

Primary Examiner — Barbara Fox

Assistant Examiner — Mary C Ramirez

(74) *Attorney, Agent, or Firm* — Sughrue Mion, PLLC

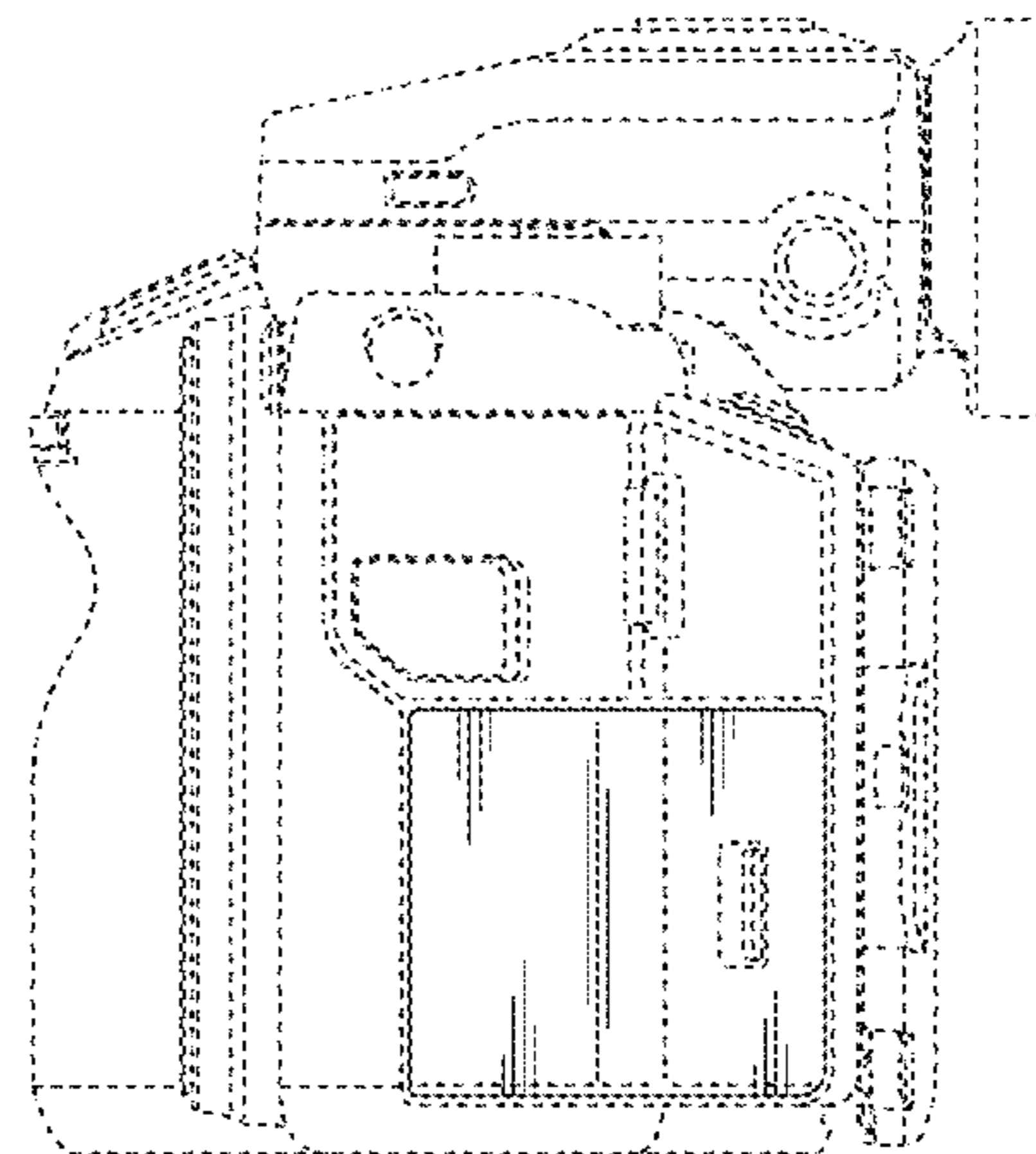
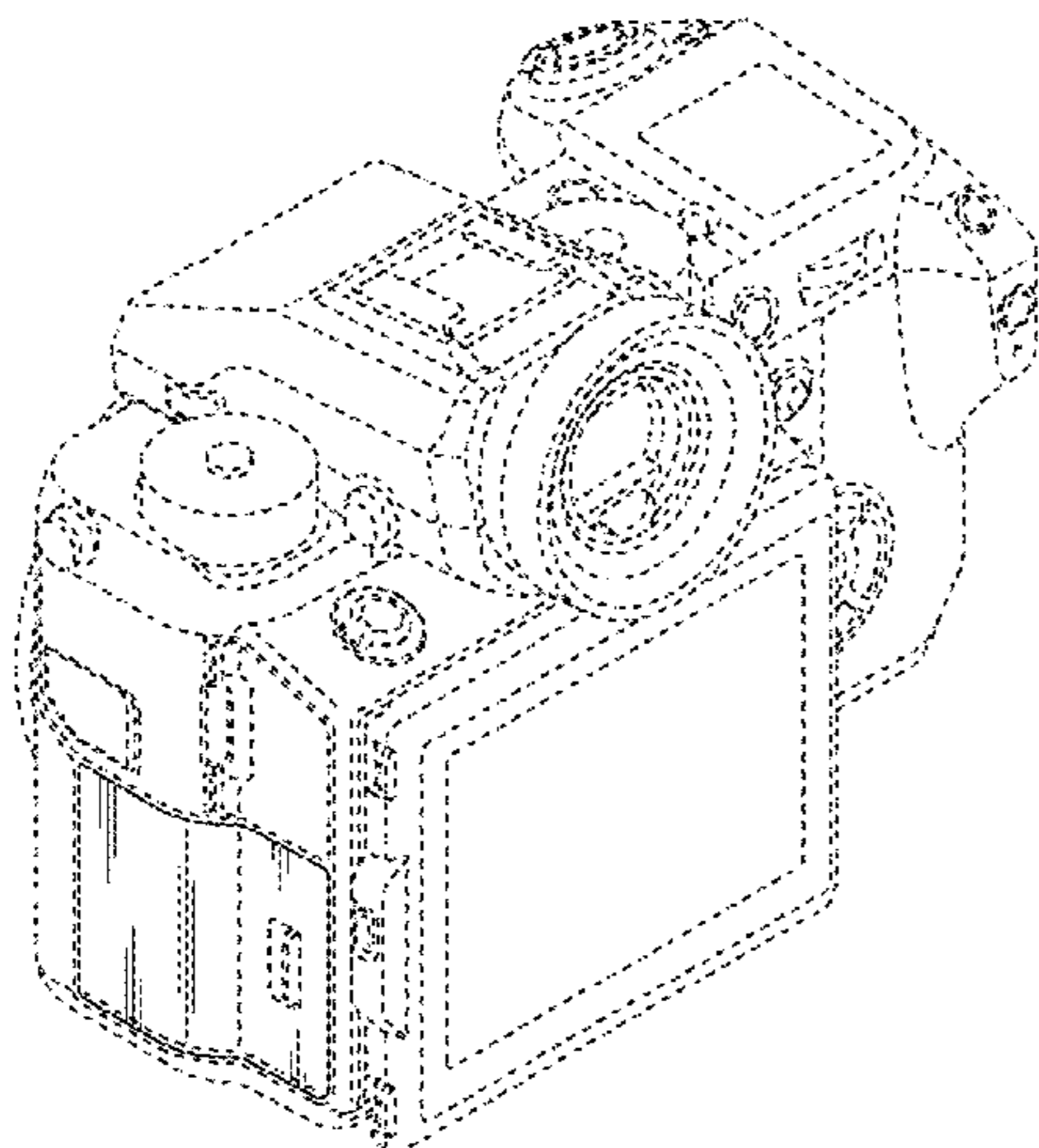
(57) **CLAIM**

The ornamental design for a digital camera, as shown and described.

DESCRIPTION

FIG. 1 is a top, front, right perspective view of a digital camera showing the new design;
FIG. 2 is a top, rear, right perspective view thereof;
FIG. 3 is a front view thereof;
FIG. 4 is a rear view thereof;
FIG. 5 is a plan view thereof;
FIG. 6 is a bottom view thereof;
FIG. 7 is a right side view thereof; and,
FIG. 8 is a left side view thereof.
The broken lines shown in the drawings depict portions of the digital camera that form no part of the claimed design.

1 Claim, 8 Drawing Sheets



(56)

References Cited

U.S. PATENT DOCUMENTS

D362,250 S * 9/1995 Harding D14/138 R
 D388,094 S * 12/1997 Tokiyama D14/204
 D391,915 S * 3/1998 Miller D12/223
 D394,075 S * 5/1998 Ninomiya D16/202
 D394,443 S * 5/1998 Hayashi D16/202
 D436,841 S * 1/2001 Carpenter D8/373
 D444,161 S * 6/2001 Nakamura D16/202
 D448,786 S * 10/2001 Kawai D16/209
 D486,789 S * 2/2004 Santiago D13/103
 D489,356 S * 5/2004 Cho D14/188
 D491,191 S * 6/2004 Wen D14/496
 D522,351 S * 6/2006 Taylor D24/110
 D557,680 S * 12/2007 Corsini D14/168
 D570,208 S * 6/2008 Senn D8/400
 D576,608 S * 9/2008 Yu D14/205
 D580,455 S * 11/2008 Elsener D14/496
 D602,147 S * 10/2009 Lucero D23/386
 D627,829 S * 11/2010 Williamson D14/496
 D643,661 S * 8/2011 Ferrer D6/556
 D643,830 S * 8/2011 Fish D14/205
 D645,150 S * 9/2011 Roggenkamp D24/184
 D659,513 S * 5/2012 Lin D8/349
 D668,341 S * 10/2012 Romanek D24/174
 D683,310 S * 5/2013 McSweyn D13/108
 D690,676 S * 10/2013 Daniel D14/138 AD
 D697,491 S * 1/2014 Daniel D14/138 G
 D698,223 S * 1/2014 Moreau D8/330
 D701,257 S * 3/2014 Ogawa D16/202
 D718,238 S * 11/2014 Culbertson D13/118
 D730,314 S * 5/2015 Chapman D14/204
 D751,136 S * 3/2016 Musec D16/208
 D754,232 S * 4/2016 Edwards D16/208

D755,183 S * 5/2016 Patel D14/433
 D755,790 S * 5/2016 Salvatori D14/433
 D762,440 S * 8/2016 Shenton D8/330
 D762,613 S * 8/2016 Garneau D14/172
 D768,749 S * 10/2016 Koppetz D16/202
 D782,483 S * 3/2017 Patel D14/433
 D783,013 S * 4/2017 Chun D14/253
 D787,634 S * 5/2017 Eads D23/223
 D800,533 S * 10/2017 Hill D8/330
 D809,366 S * 2/2018 Gokcebay D8/331
 D824,326 S * 7/2018 Yu D13/103
 2010/0040254 A1 * 2/2010 Wright H04R 1/02
 381/395

OTHER PUBLICATIONS

Development of Professional-use Mirrorless Camera System GFX_032, published Sep. 19, 2016 [online], [retrieved Feb. 27, 2018], Available from Internet, URL: <<https://www.youtube.com/watch?v=Ggikv6m8FNs>> at approximately 0:32.*
 Cabinet Hanging Brackets (pair), publication date not available [online], [retrieved Feb. 27, 2018], Available from Internet, URL: <<https://www.shopfitdirect.co.uk/cabinet-hanging-brackets-pair-p-203.html>>.*
 Creative Plastics ZC1001, publication date not available [online], [retrieved Feb. 27, 2018], Available from Internet, URL: <<http://creativeplasticsllc.com/archives.cfm/category/z-channel>>.*
 Display Innovations Z-clips, publication date not available [online], [retrieved Feb. 27, 2018], Available from Internet, URL: <https://www.displayinnovations.com/product/Z-CLIP_P2-20/Z-clips-2quot-long-aluminum-clips-with-two-mounting-holes-per-clip--20-per-bag/>.*

* cited by examiner

FIG. 1

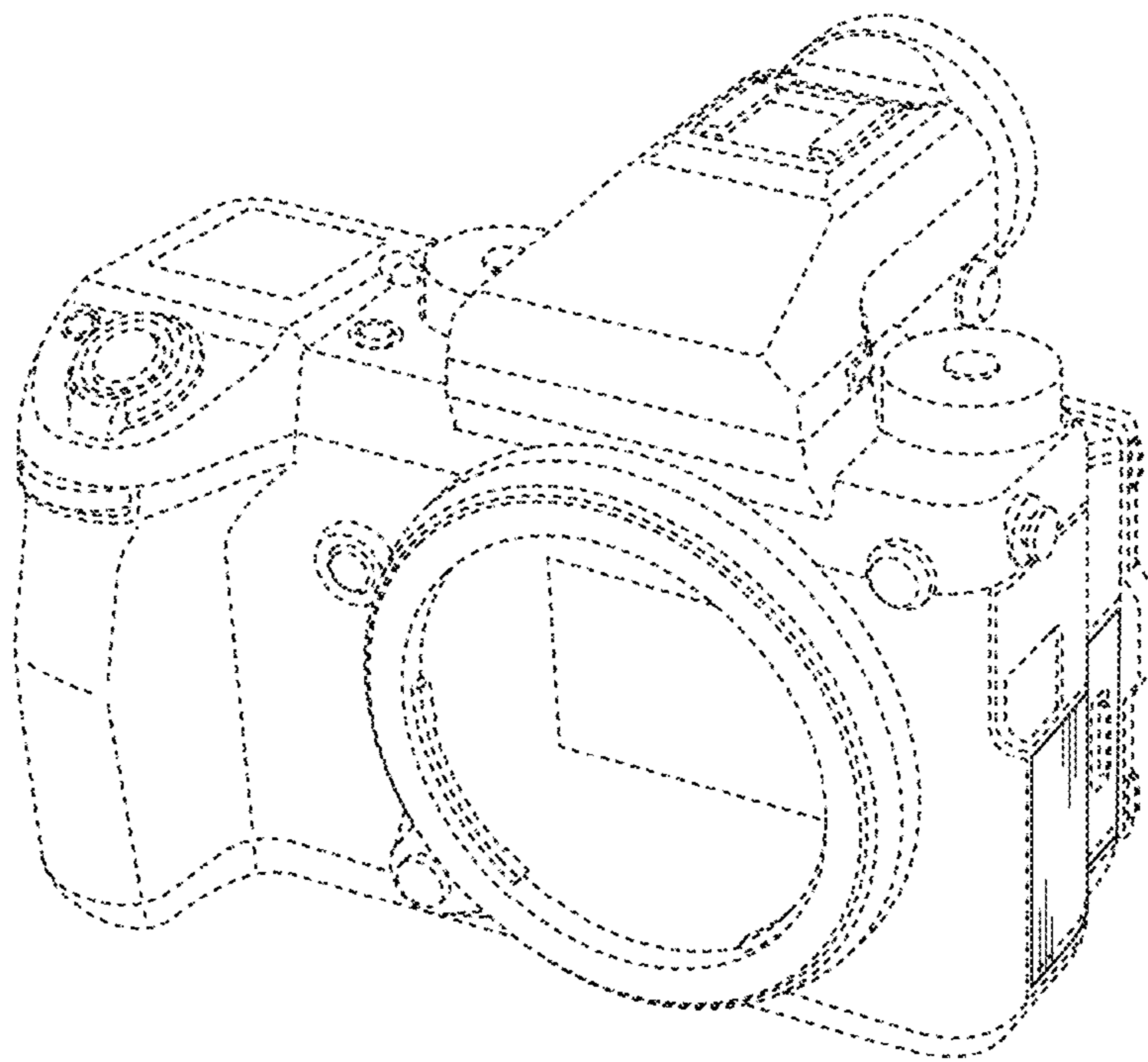


FIG. 2

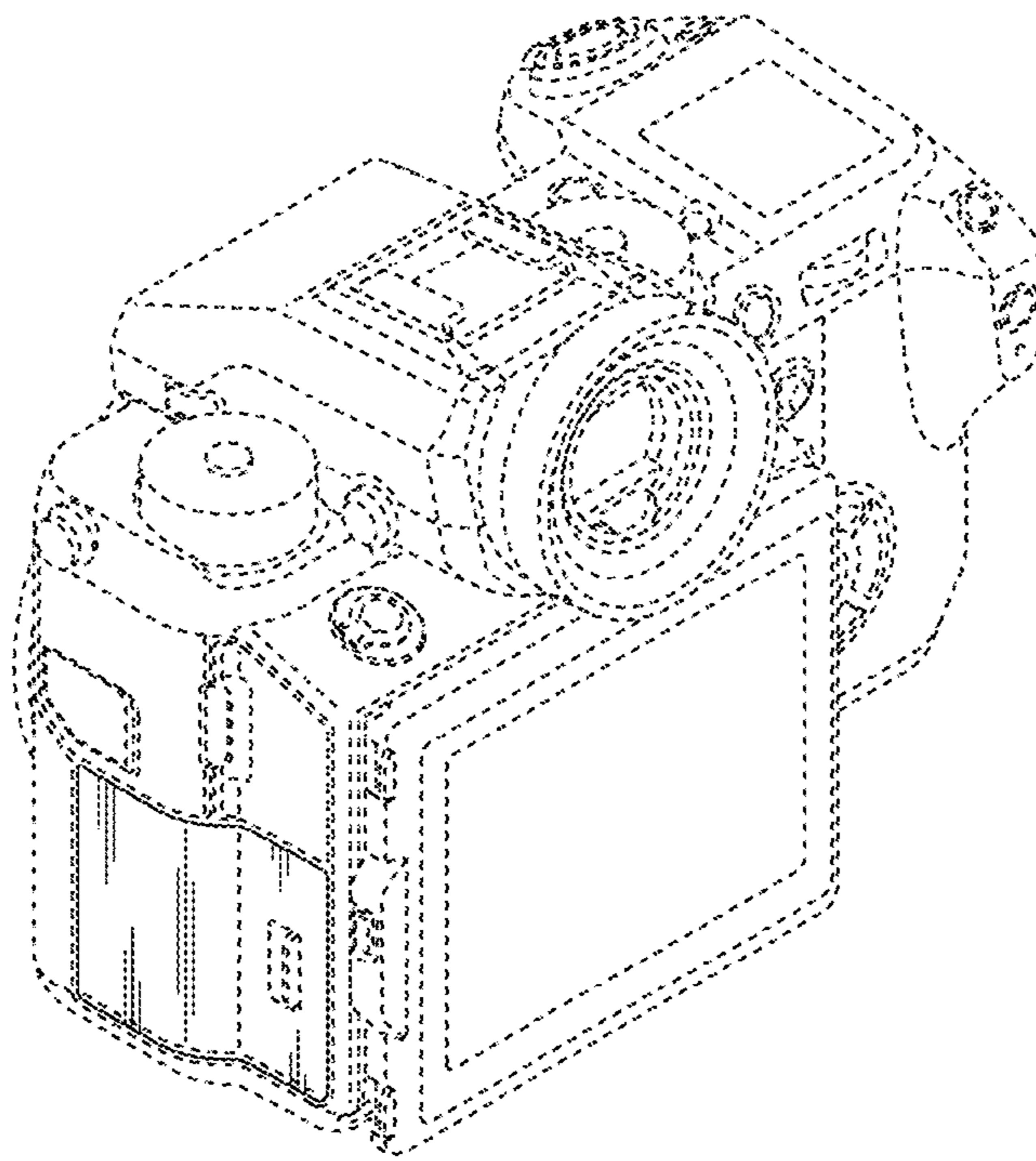


FIG. 3

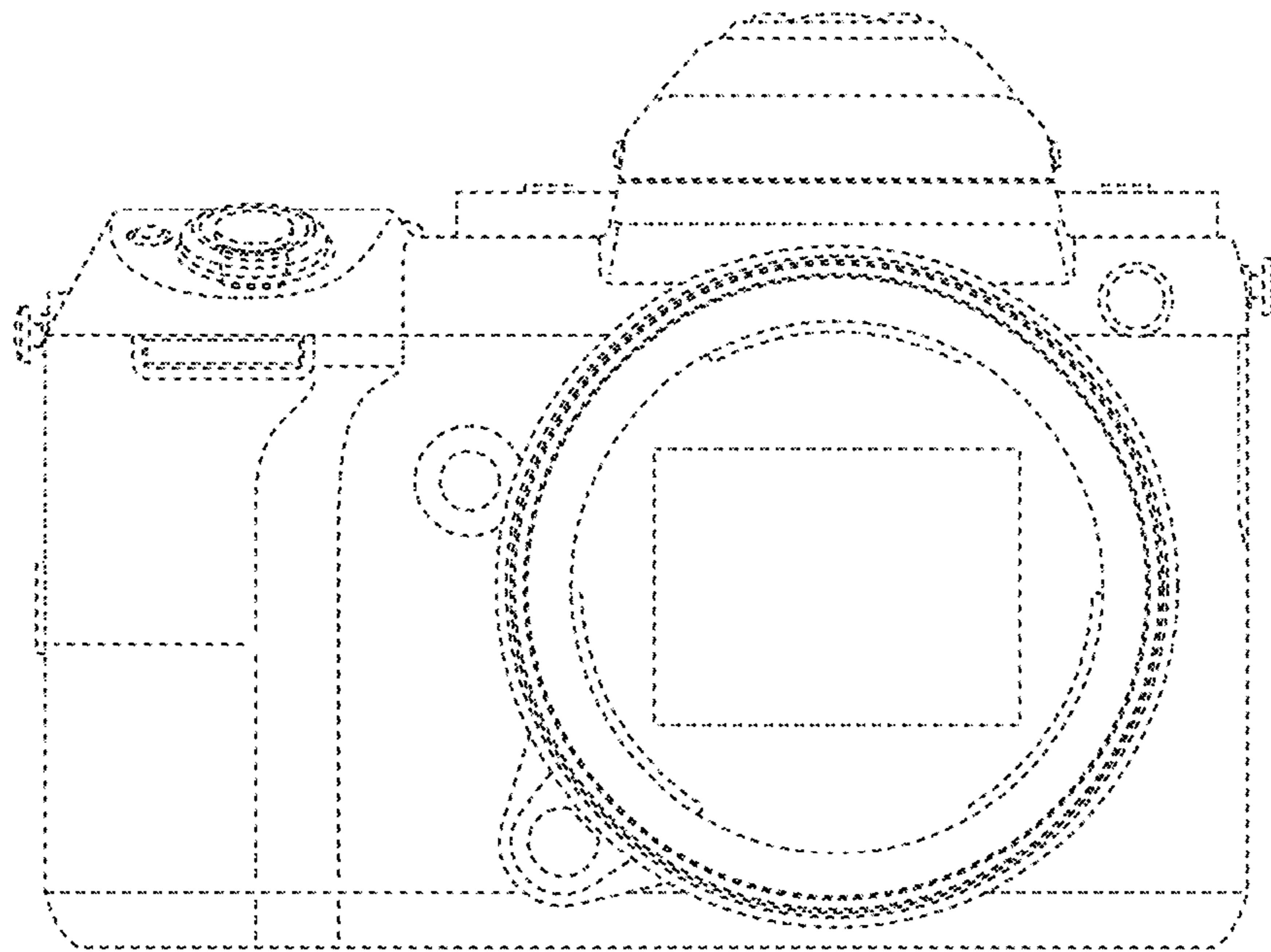


FIG. 4

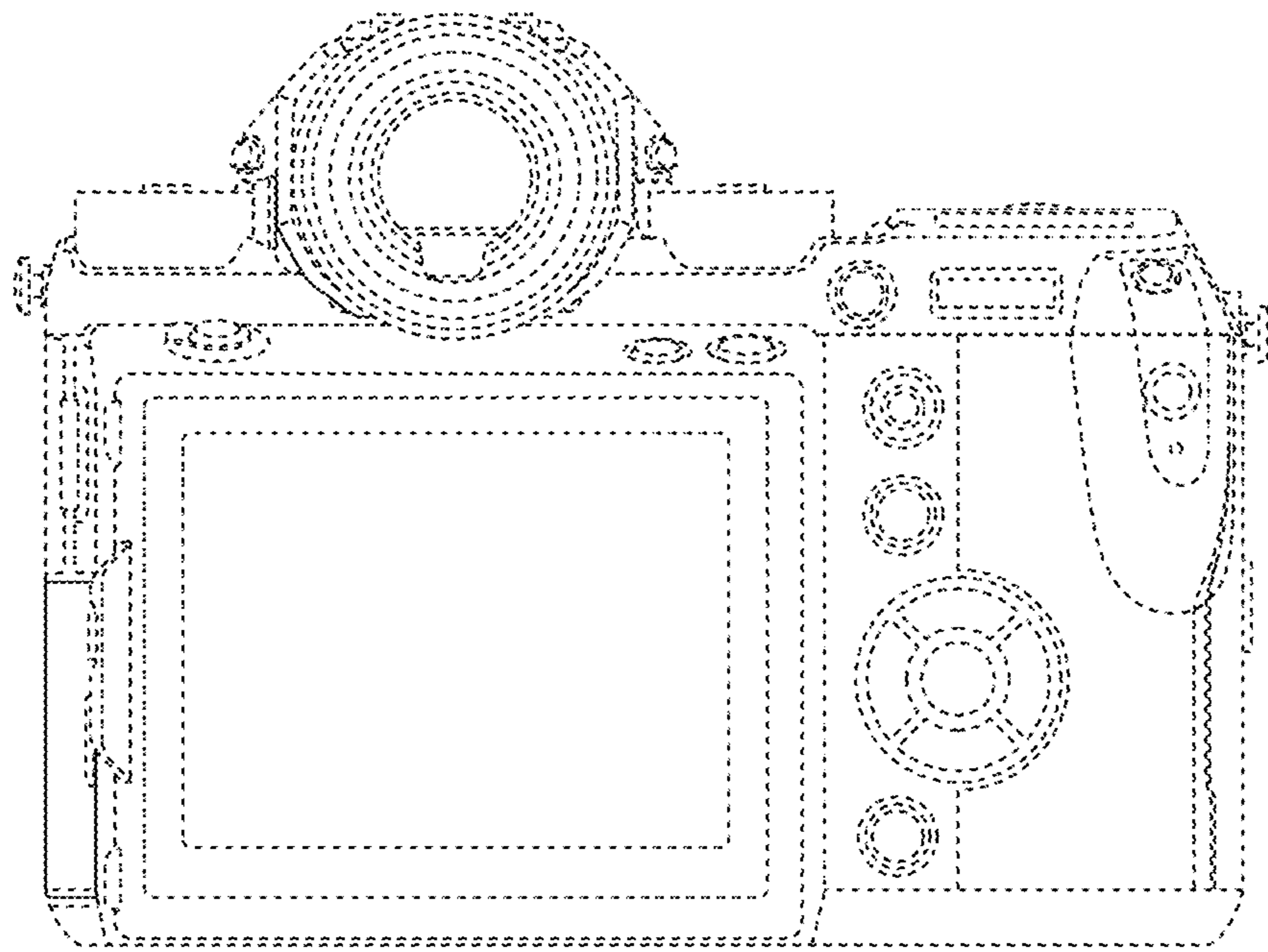


FIG. 5

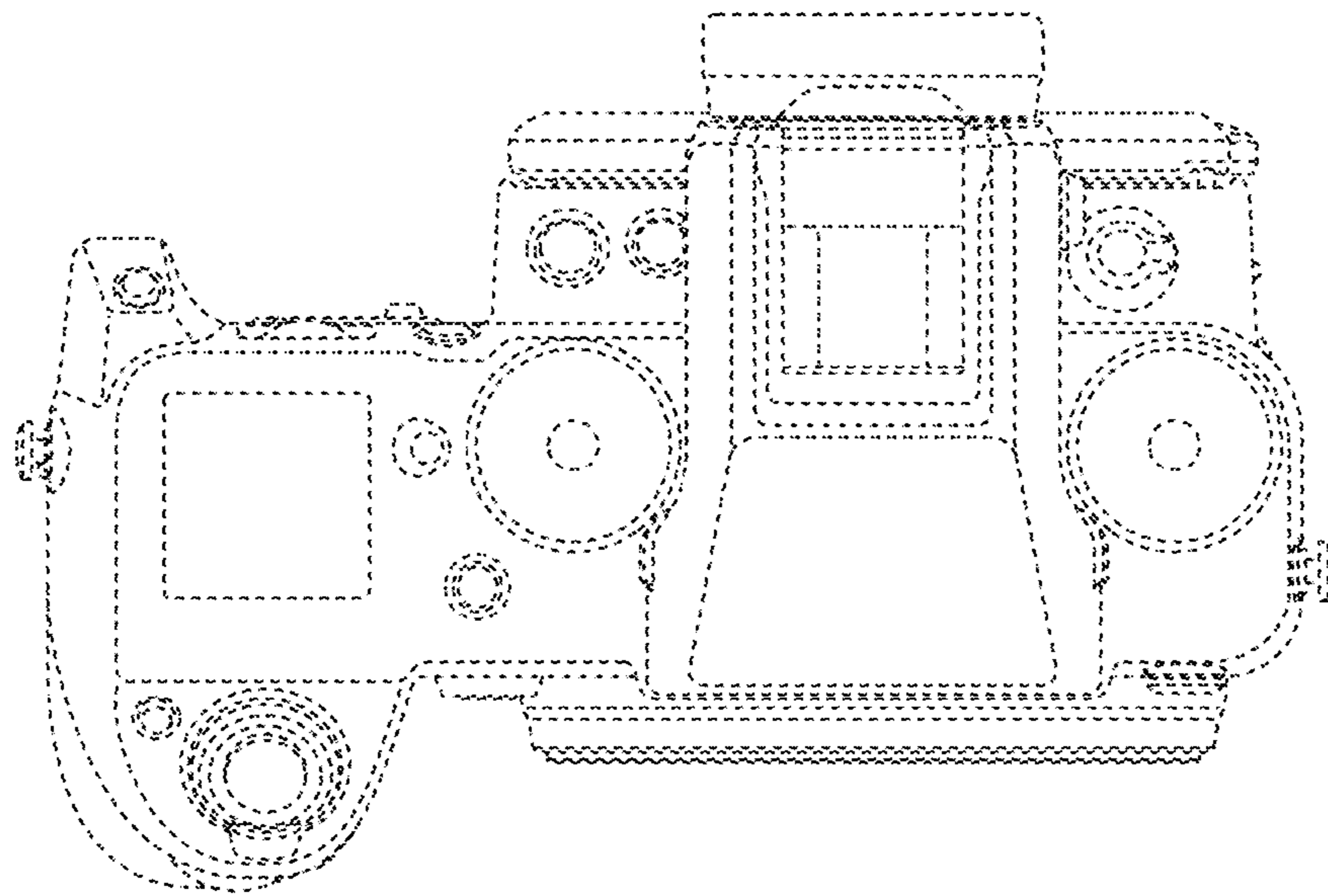


FIG. 6

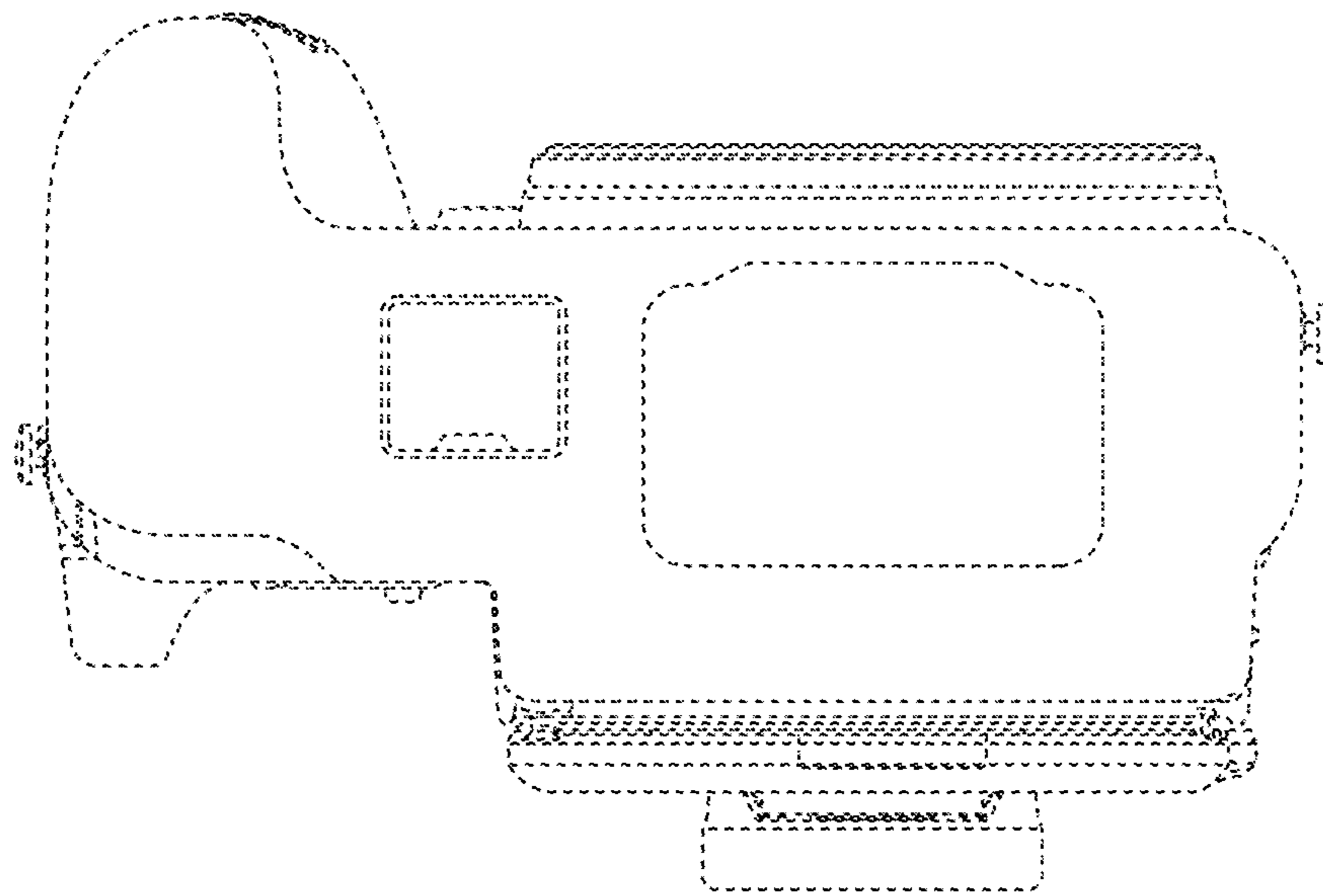


FIG. 7

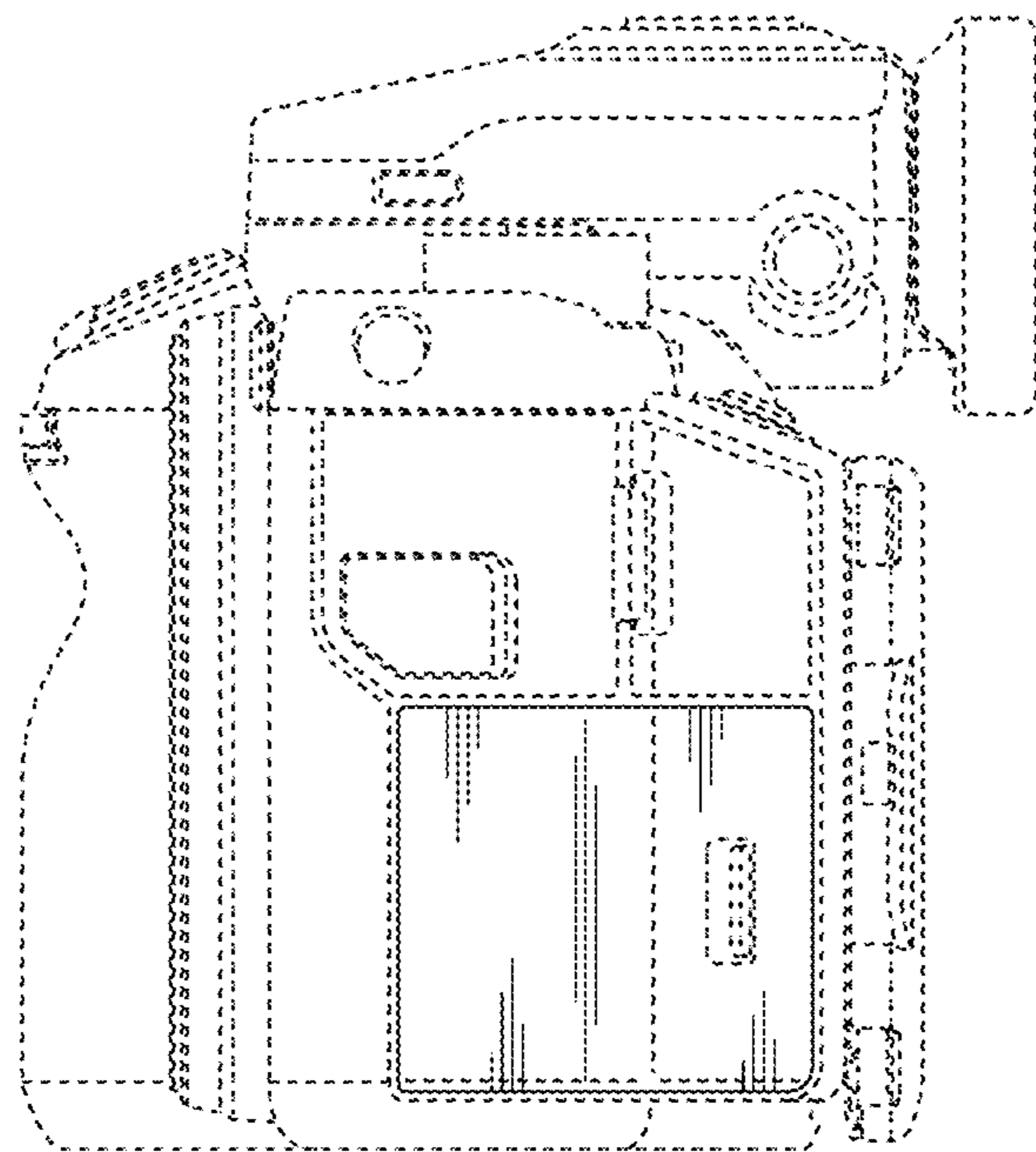


FIG. 8

