



US00D855098S

(12) **United States Design Patent**
Stinis

(10) **Patent No.:** **US D855,098 S**

(45) **Date of Patent:** **** Jul. 30, 2019**

(54) **PROTECTIVE CASE FOR CAMERA ON CONTAINER SPREADER**

(71) Applicant: **Stinis Beheer B.V.**, Krimpen aan de Lek (NL)

(72) Inventor: **Cornelis Stinis**, Krimpen aan de Lek (NL)

(73) Assignee: **Stinis Beheer B.V.**, AG Krimpen aan de Lek (NL)

(**) Term: **15 Years**

(21) Appl. No.: **29/635,005**

(22) Filed: **Jan. 26, 2018**

(30) **Foreign Application Priority Data**

Jul. 27, 2017 (EM) 004122406-0002

(51) **LOC (11) Cl.** **16-01**

(52) **U.S. Cl.**
USPC **D16/200; D16/202**

(58) **Field of Classification Search**
USPC D16/200, 202–203, 208, 218, 219, 242;
248/187.1; 348/14.01–14.6, 143, 148,
348/151, 373–376; 396/419, 427, 428,
396/535, 539–541
CPC G03B 17/02; G03B 19/04; G03B 17/56;
G03B 17/04; G03B 15/03; H04N
2101/00; H04N 2007/145; H04N 7/141;
H04N 7/142; H04N 7/147; H04N 7/148;
H04N 7/15; H04N 7/152
See application file for complete search history.

(56) **References Cited**

U.S. PATENT DOCUMENTS

D217,153 S * 4/1970 Adkins D16/203
D273,012 S * 3/1984 Kozloski D16/203

D447,503 S * 9/2001 Horikiri D16/211
D457,904 S * 5/2002 Toste D16/203
D516,108 S * 2/2006 Cheng D16/203
D556,233 S * 11/2007 Webb D16/202
D579,474 S * 10/2008 Yoo D16/203
D582,460 S * 12/2008 Yoo D16/203
D606,105 S * 12/2009 Hinkel D16/203
D819,113 S * 5/2018 Li D16/218
D834,085 S * 11/2018 Lu D16/203
D837,274 S * 1/2019 Ainetoft D16/203

* cited by examiner

Primary Examiner — Ramzi S Almatrahi

(74) *Attorney, Agent, or Firm* — Abelman, Frayne & Schwab

(57) **CLAIM**

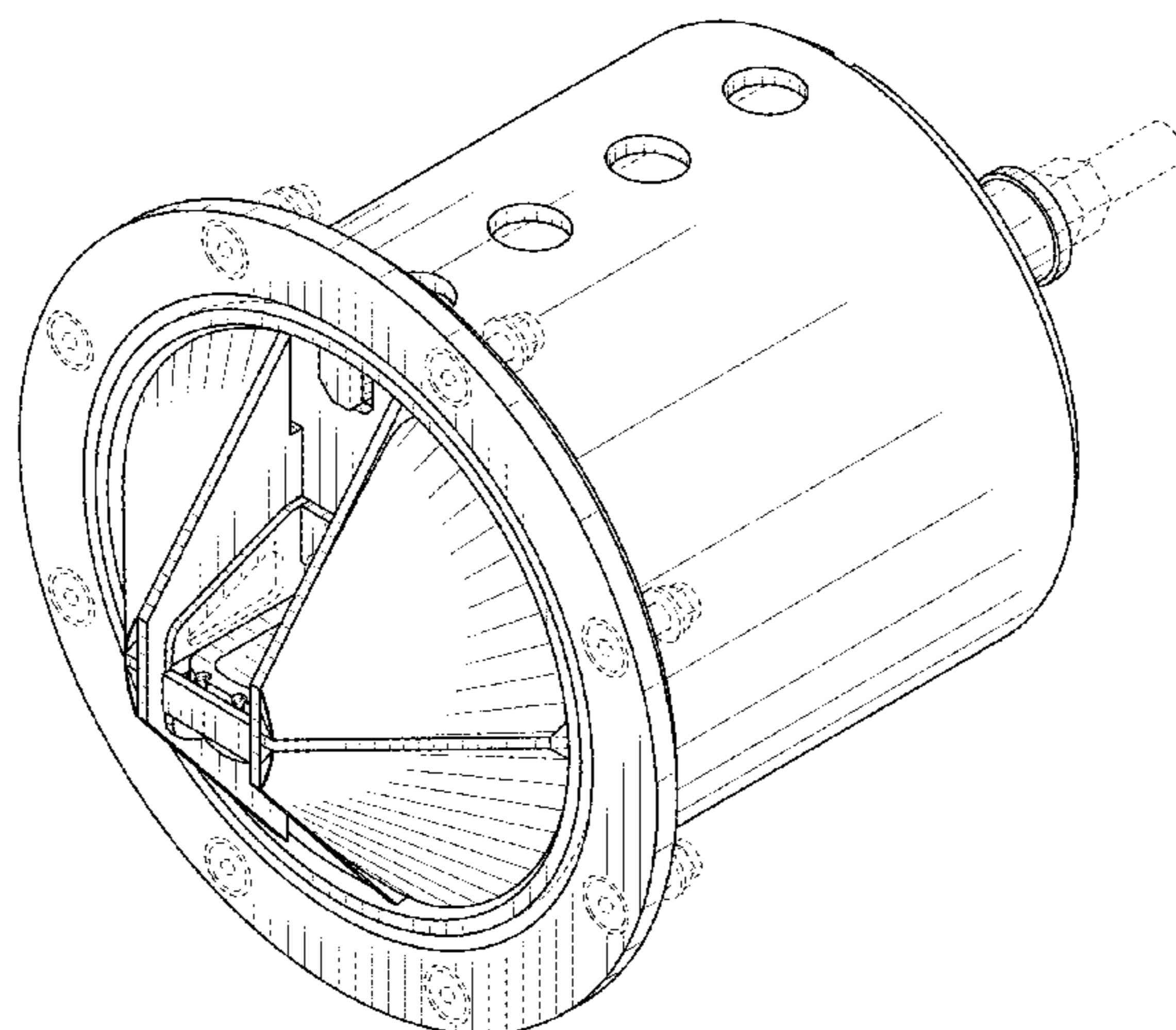
The ornamental design for a protective case for camera on container spreader, as shown and described.

DESCRIPTION

FIG. 1 is a top, front, and right side perspective view of a protective case for camera on container spreader, according to the present invention;
FIG. 2 is a front view thereof;
FIG. 3 is a rear view thereof;
FIG. 4 is a left side view thereof;
FIG. 5 is a right side view thereof;
FIG. 6 is a top view thereof; and,
FIG. 7 is a bottom view thereof.

The broken lines depict portions of the protective case for camera on container spreader in which the design is embodied that form no part of the claimed design.

1 Claim, 5 Drawing Sheets



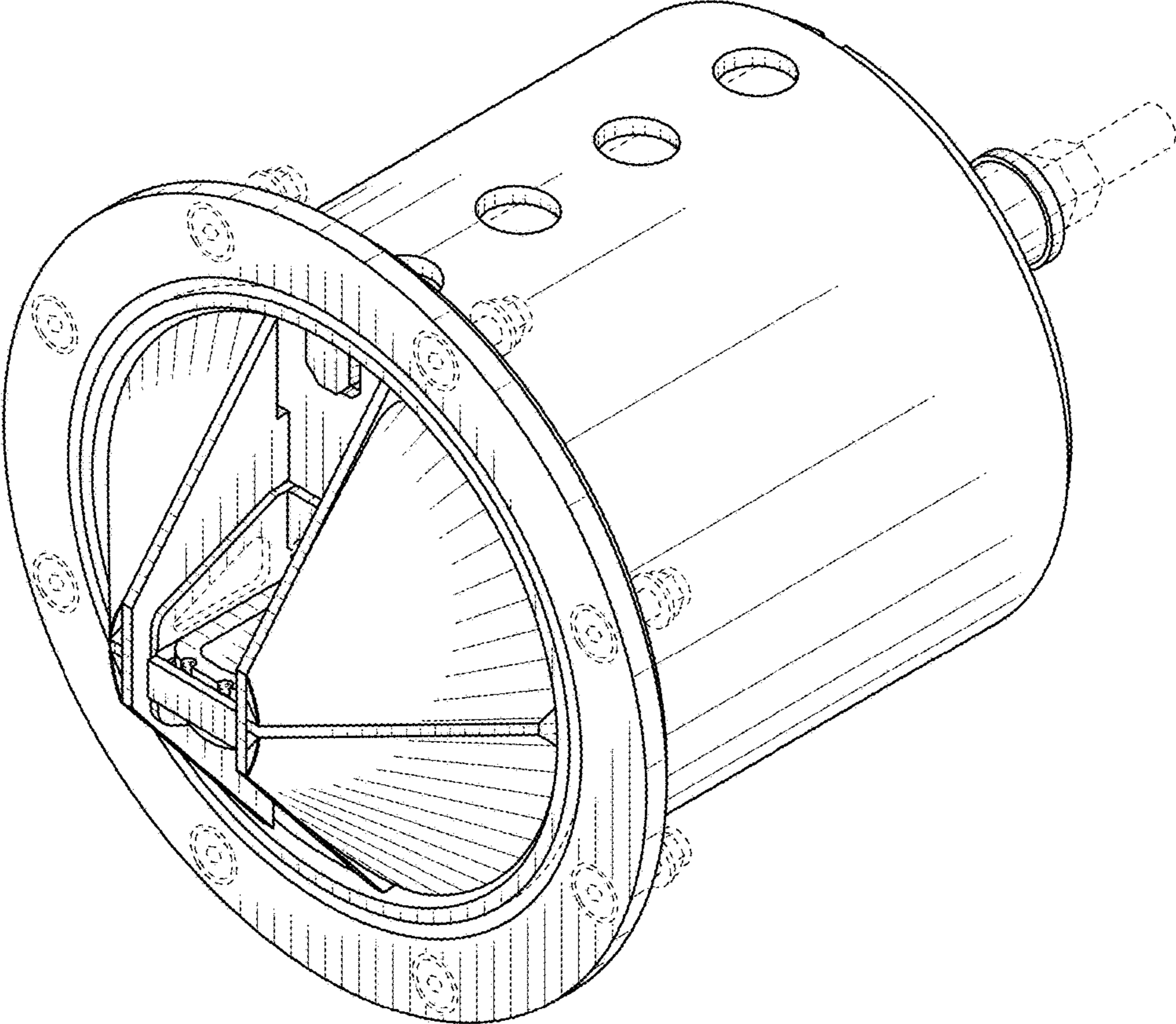


FIG. 1

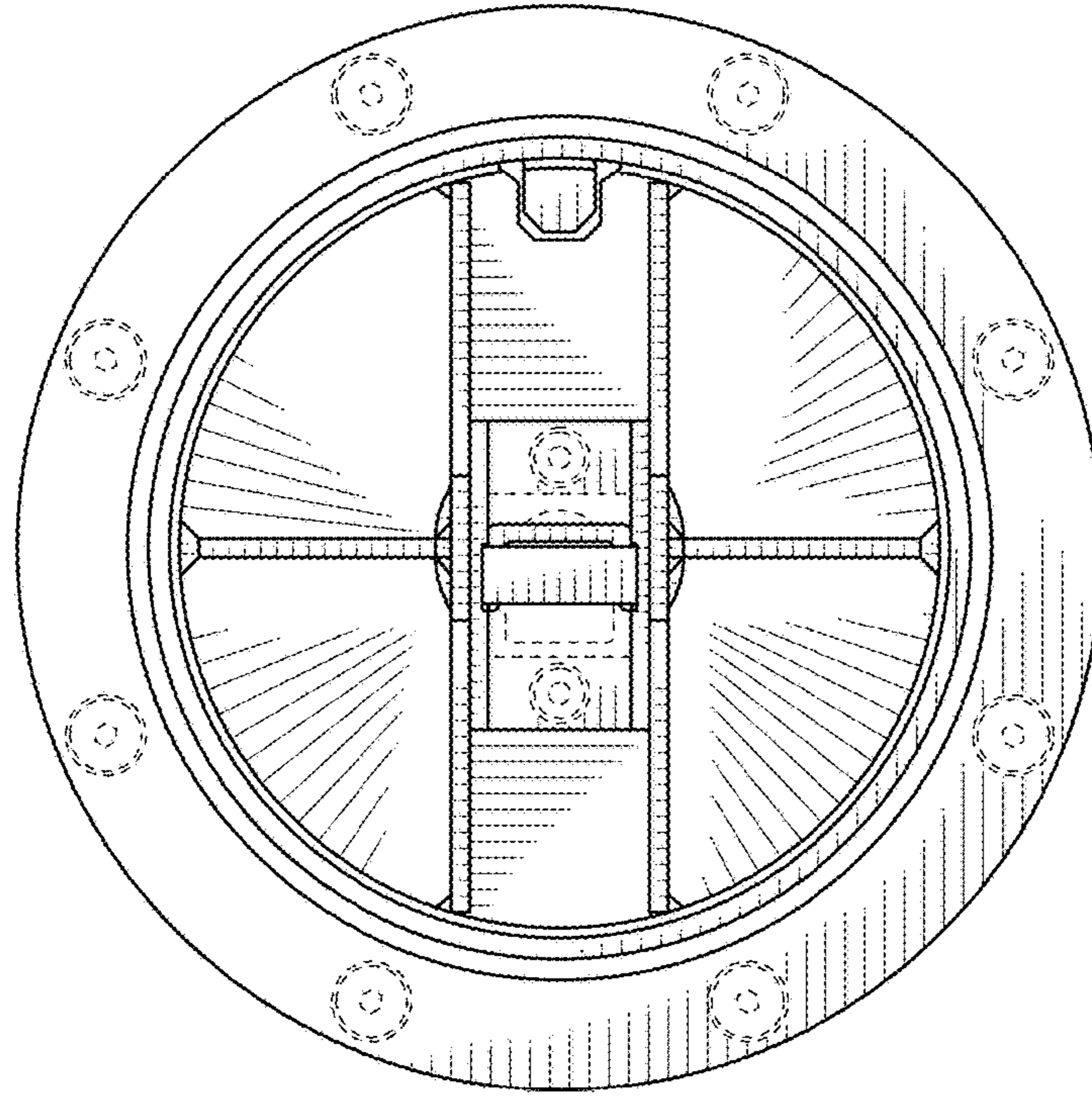


FIG. 2

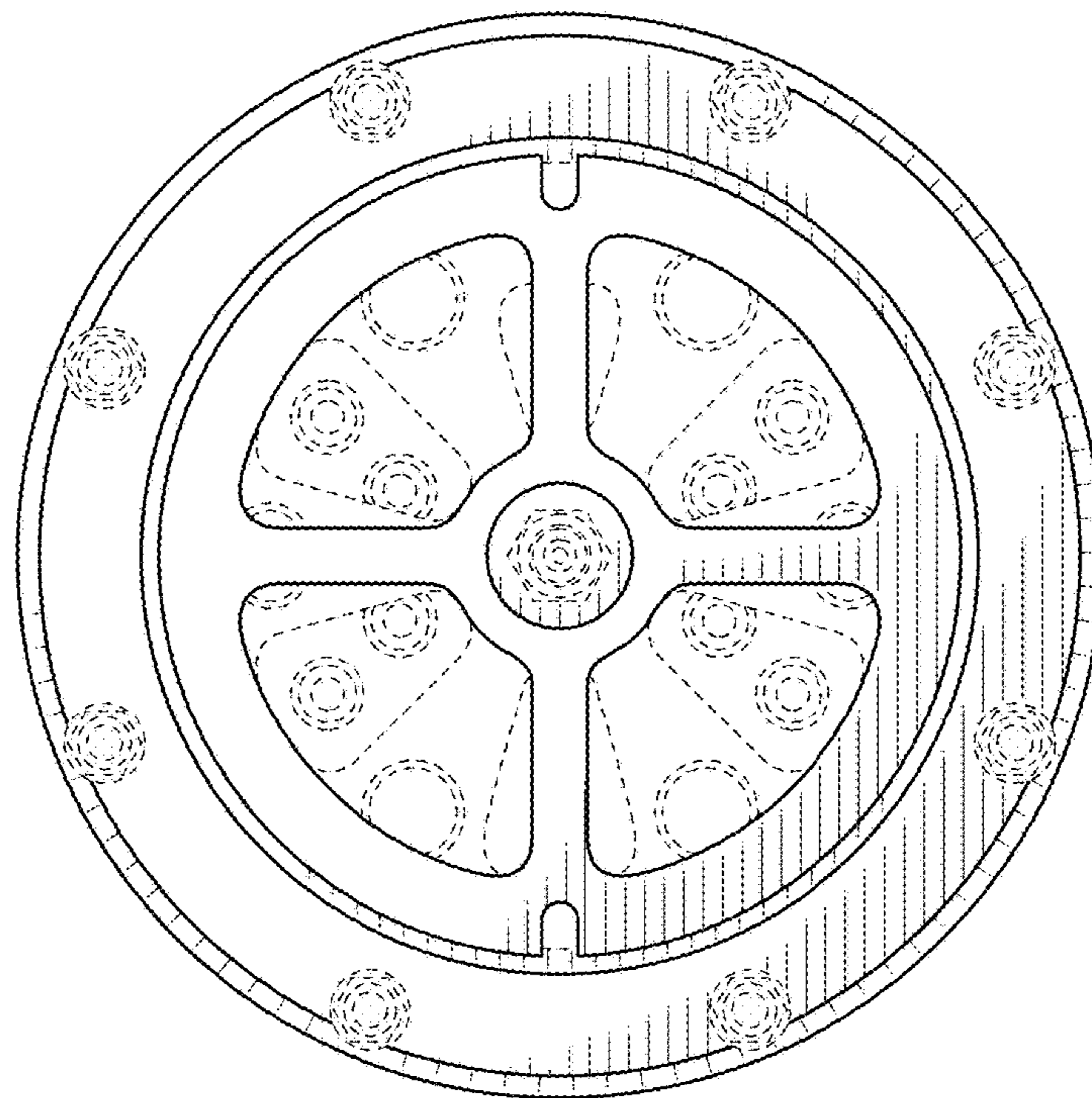


FIG. 3

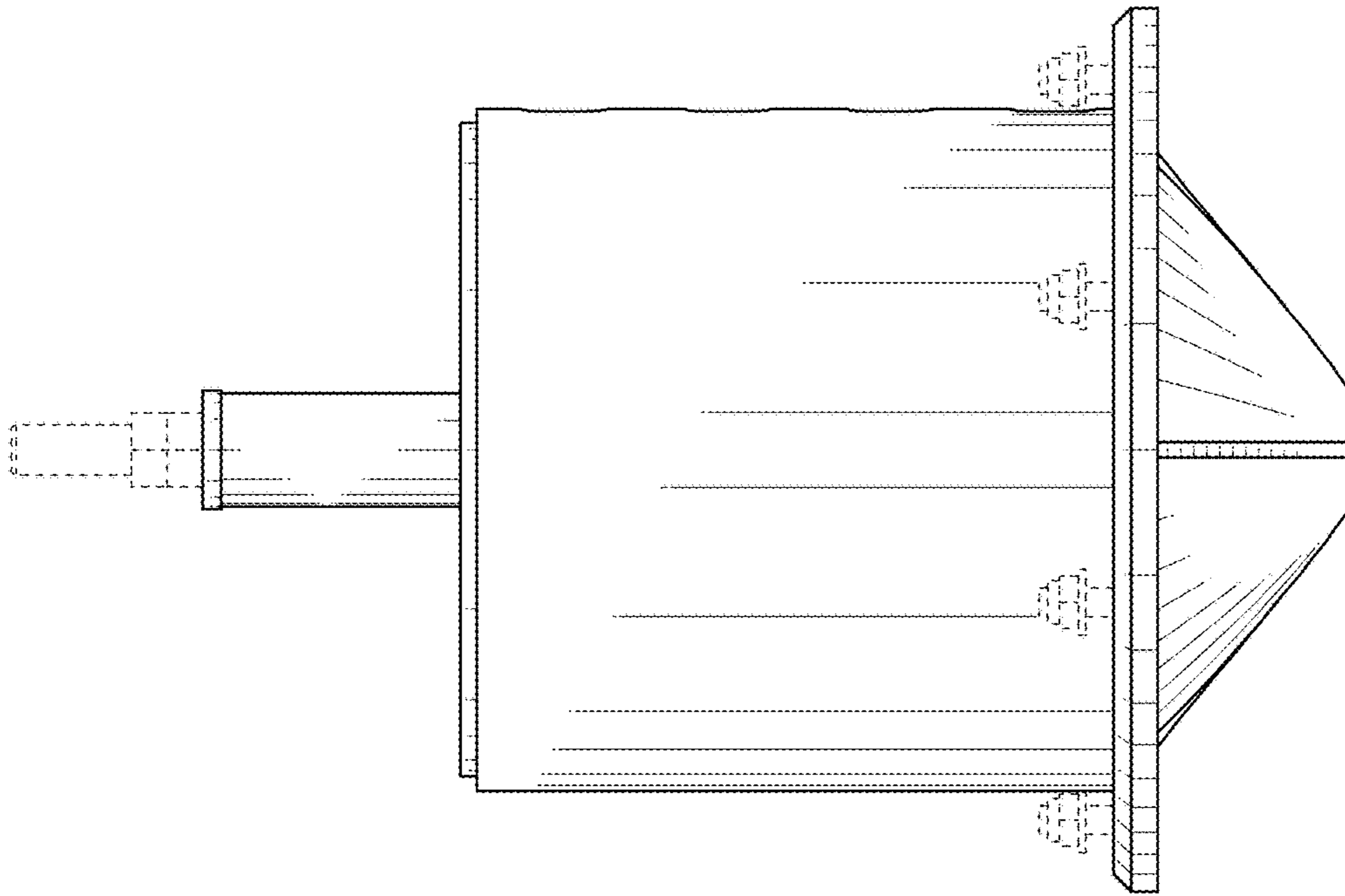


FIG. 4

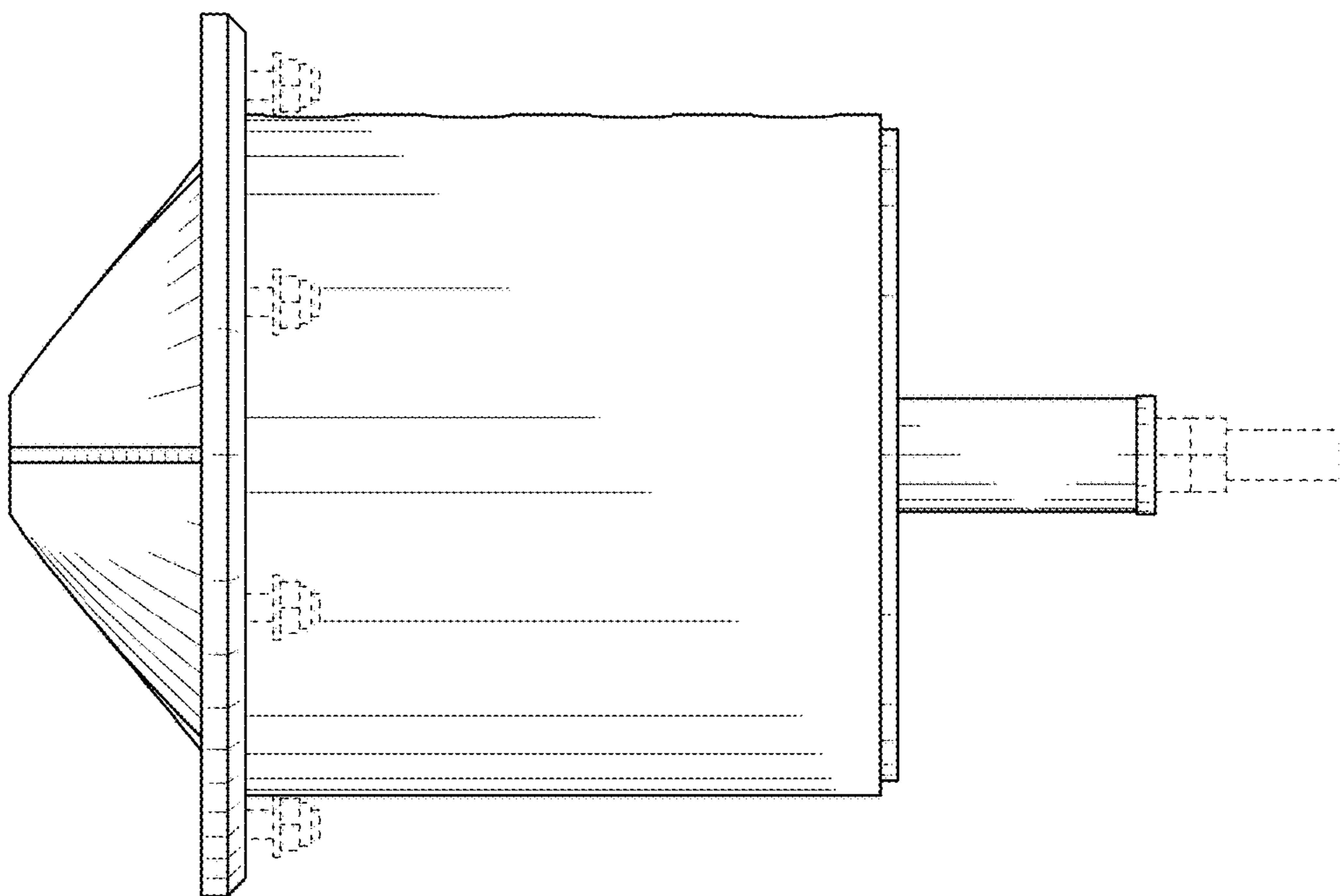


FIG. 5

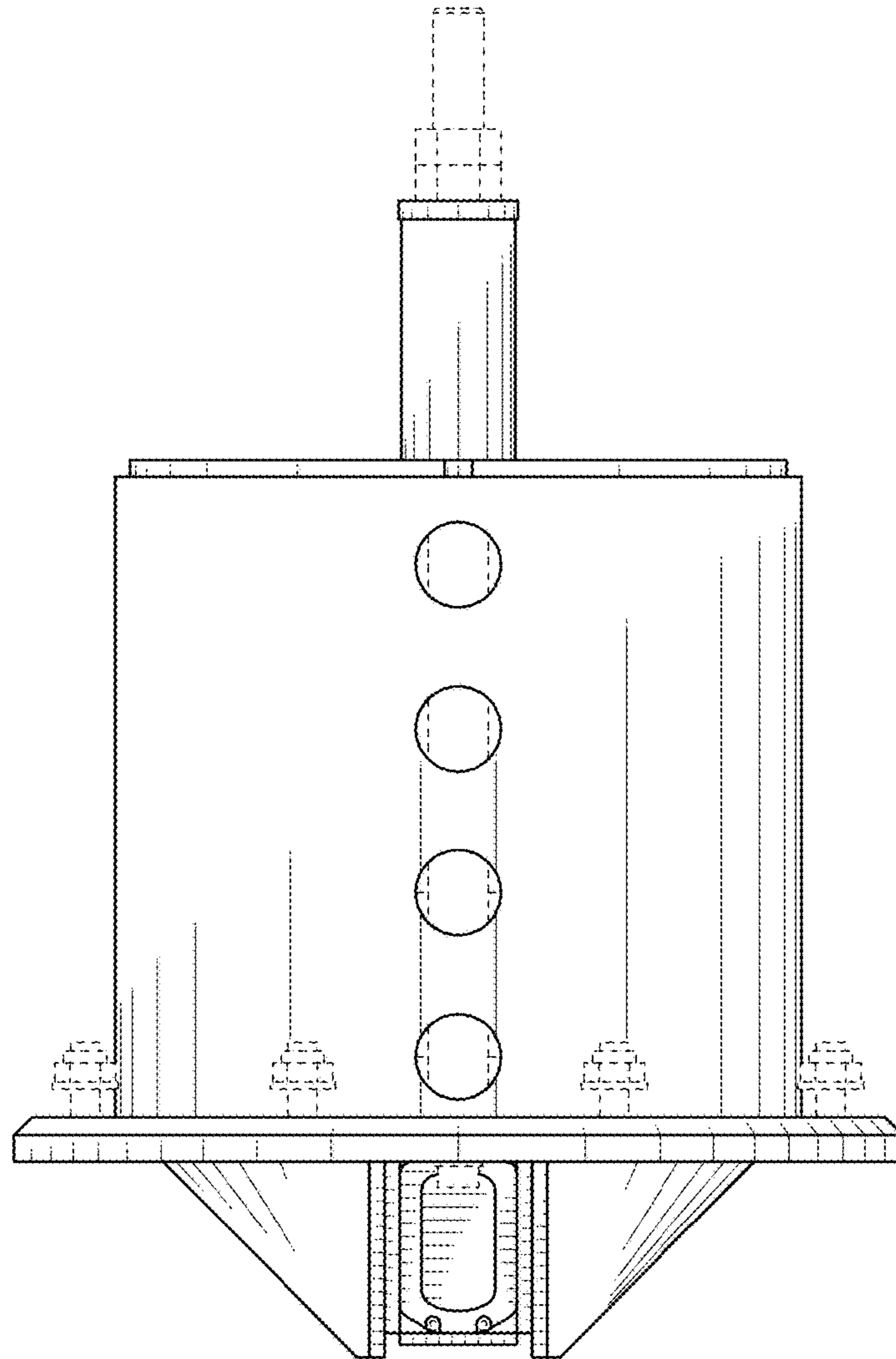


FIG. 6

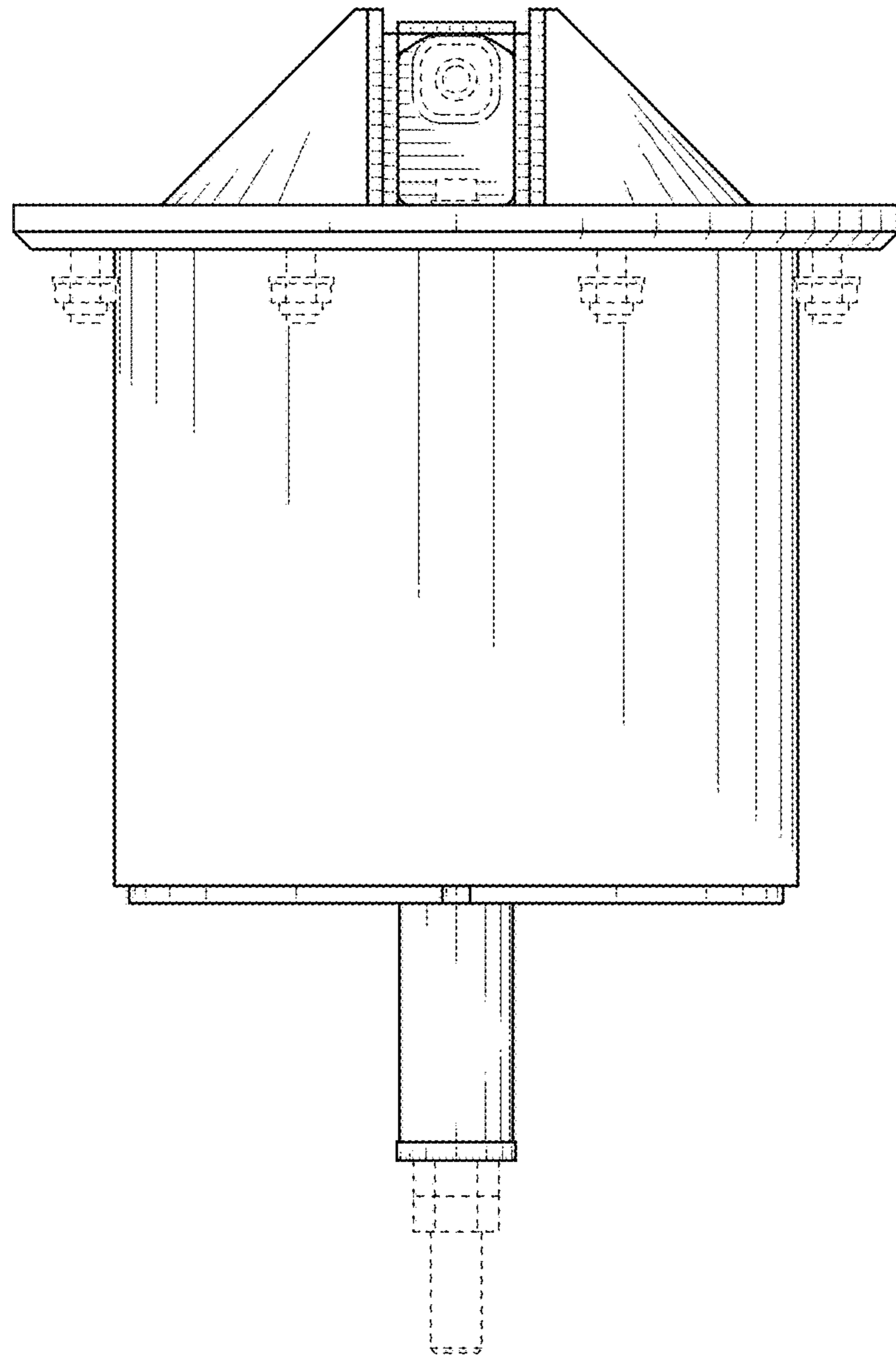


FIG. 7