



US00D855097S

(12) **United States Design Patent**
Bourrie

(10) **Patent No.:** **US D855,097 S**

(45) **Date of Patent:** **** Jul. 30, 2019**

(54) **BATTERY CAP RETENTION ASSEMBLY**

D791,215 S * 7/2017 Schmidt D16/202
D807,937 S * 1/2018 Warr D16/135
D815,239 S * 4/2018 Cheng D22/109

(71) Applicant: **Raytheon Canada Ltd.**, Ottawa (CA)

* cited by examiner

(72) Inventor: **Timothy J. Bourrie**, Midland (CA)

Primary Examiner — Mark A Goodwin

(73) Assignee: **Raytheon Canada Ltd.**, Ottawa (CA)

Assistant Examiner — Benjamin M Weeks

(**) Term: **15 Years**

(57) **CLAIM**

(21) Appl. No.: **29/614,408**

The ornamental design for a battery cap retention assembly, as shown and described.

(22) Filed: **Aug. 18, 2017**

DESCRIPTION

(51) **LOC (11) Cl.** **16-99**

(52) **U.S. Cl.**
USPC **D16/130**

(58) **Field of Classification Search**
USPC D16/130, 131, 132, 133, 134, 135, 202,
D16/310, 140; D14/137; D22/109
CPC ... G02B 21/0004; G02B 21/22; G02B 21/24;
G02B 21/06
See application file for complete search history.

FIG. 1 is a front perspective view of a battery cap retention assembly according to this disclosure;
FIG. 2 is a back perspective view of the battery cap retention assembly according to this disclosure;
FIG. 3 is an exploded view of the battery cap retention assembly according to this disclosure;
FIG. 4 is a front view of a portion of the battery cap retention assembly according to this disclosure;
FIG. 5 is an enlarged view of a portion of FIG. 4 according to this disclosure;
FIG. 6 is a front view of a device with the battery cap retention assembly according to this disclosure;
FIG. 7 is a perspective view of the device with the battery cap retention assembly in a closed state according to this disclosure; and,
FIG. 8 is a perspective view of the device with the battery cap retention assembly in an opened state according to this disclosure.

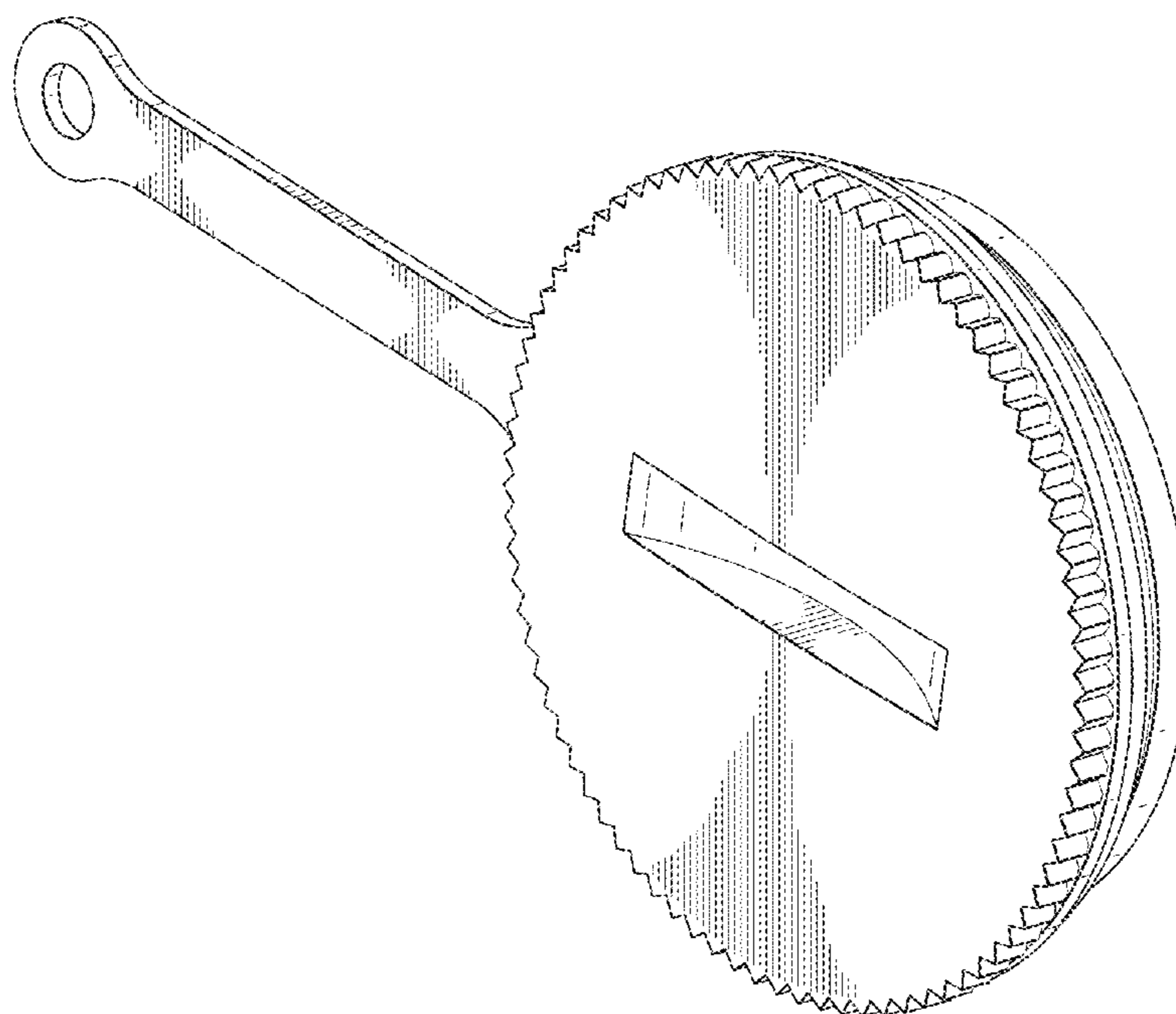
Broken lines in the drawings show environmental structures or boundaries that form no part of the design to be patented.

(56) **References Cited**

U.S. PATENT DOCUMENTS

5,943,174 A 8/1999 Bryant et al.
7,049,027 B2 5/2006 Buchanan, Jr. et al.
D636,513 S * 4/2011 Furtsch D16/135
D688,289 S * 8/2013 Hodgson D16/135
8,707,886 B2 4/2014 Taylor et al.
D704,239 S * 5/2014 Faul G02B 5/3083
D16/130
D786,875 S * 5/2017 Kaminaga D14/433
D788,820 S * 6/2017 Beck D14/203.6

1 Claim, 7 Drawing Sheets



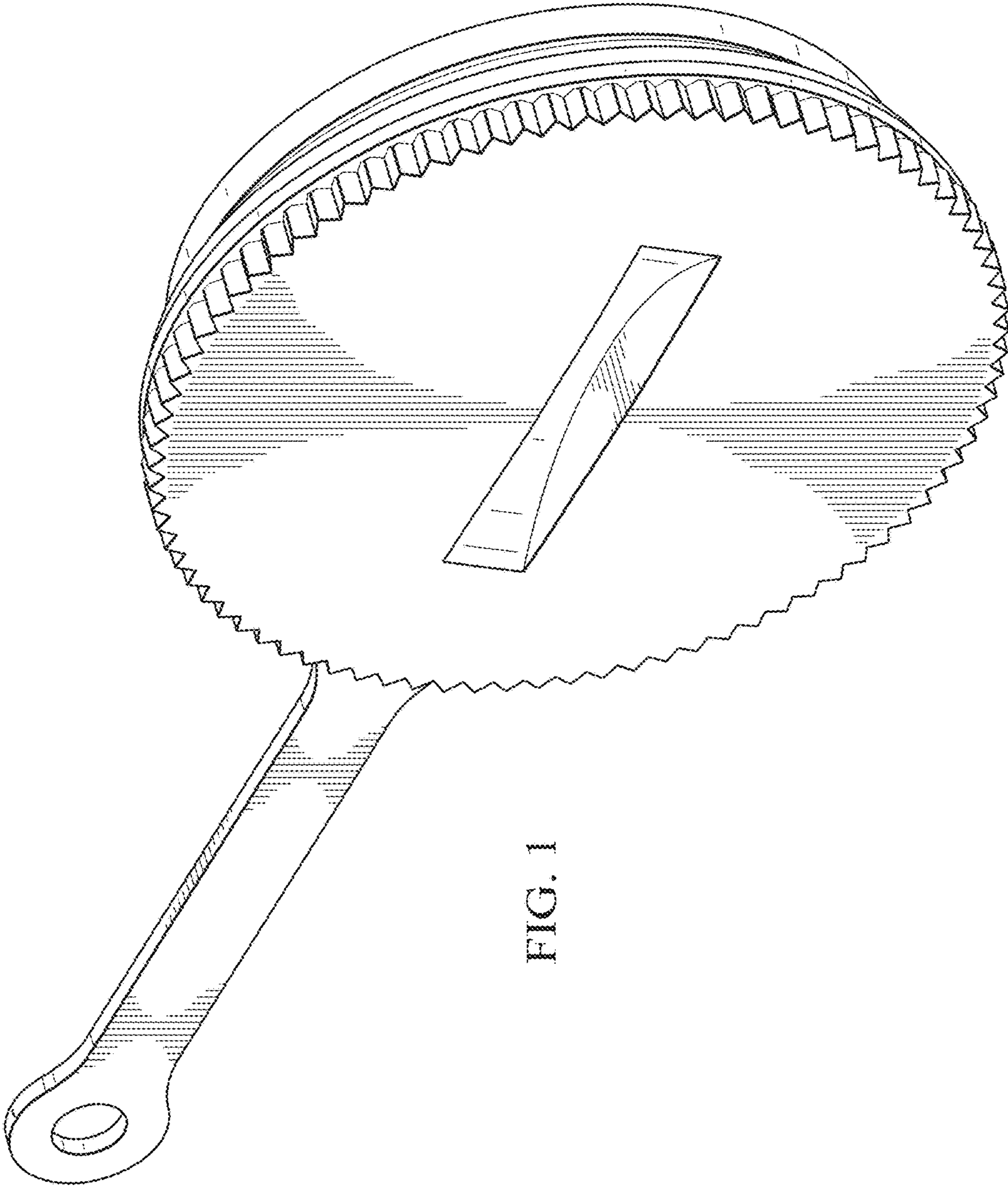


FIG. 1

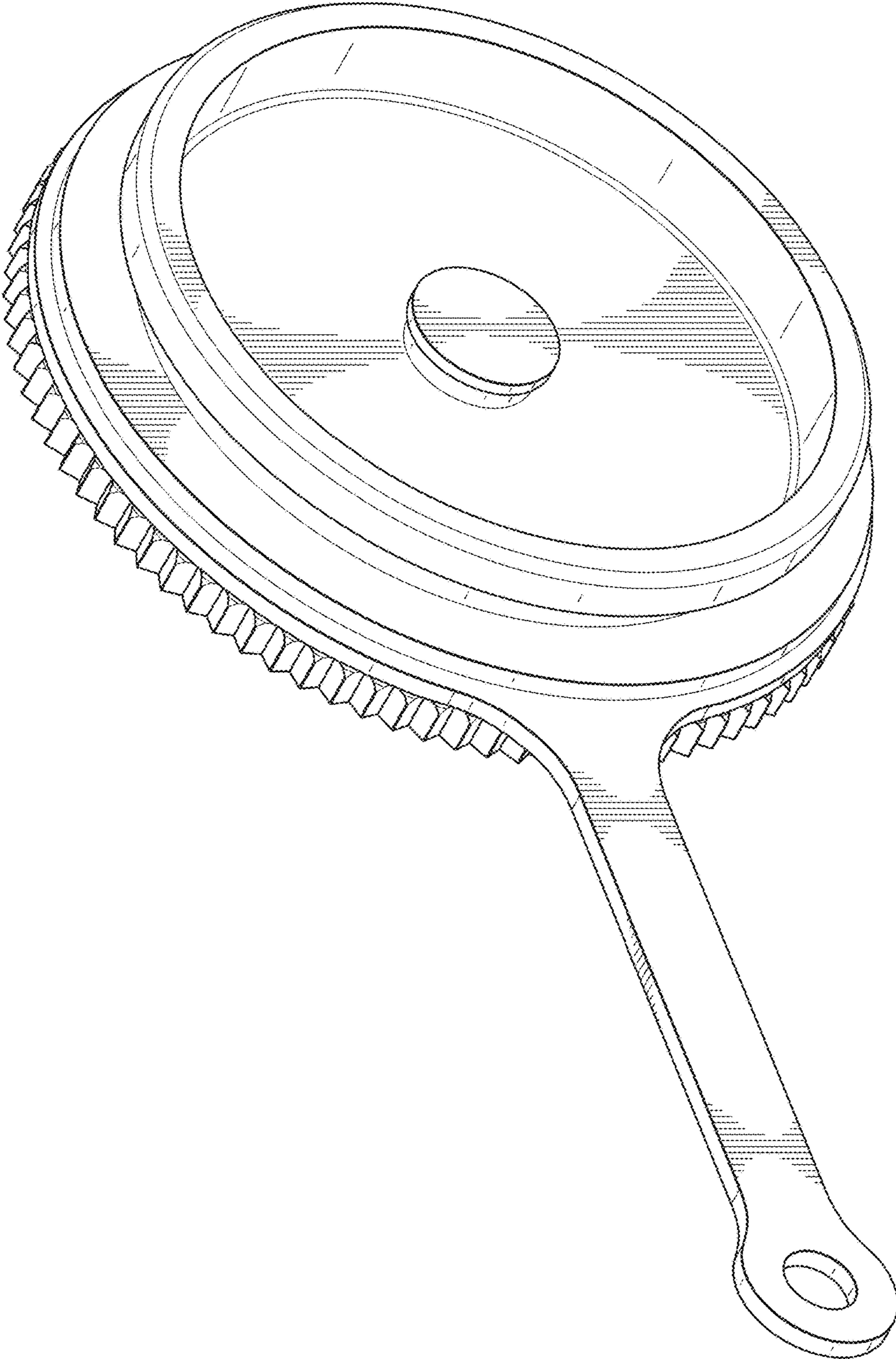


FIG. 2

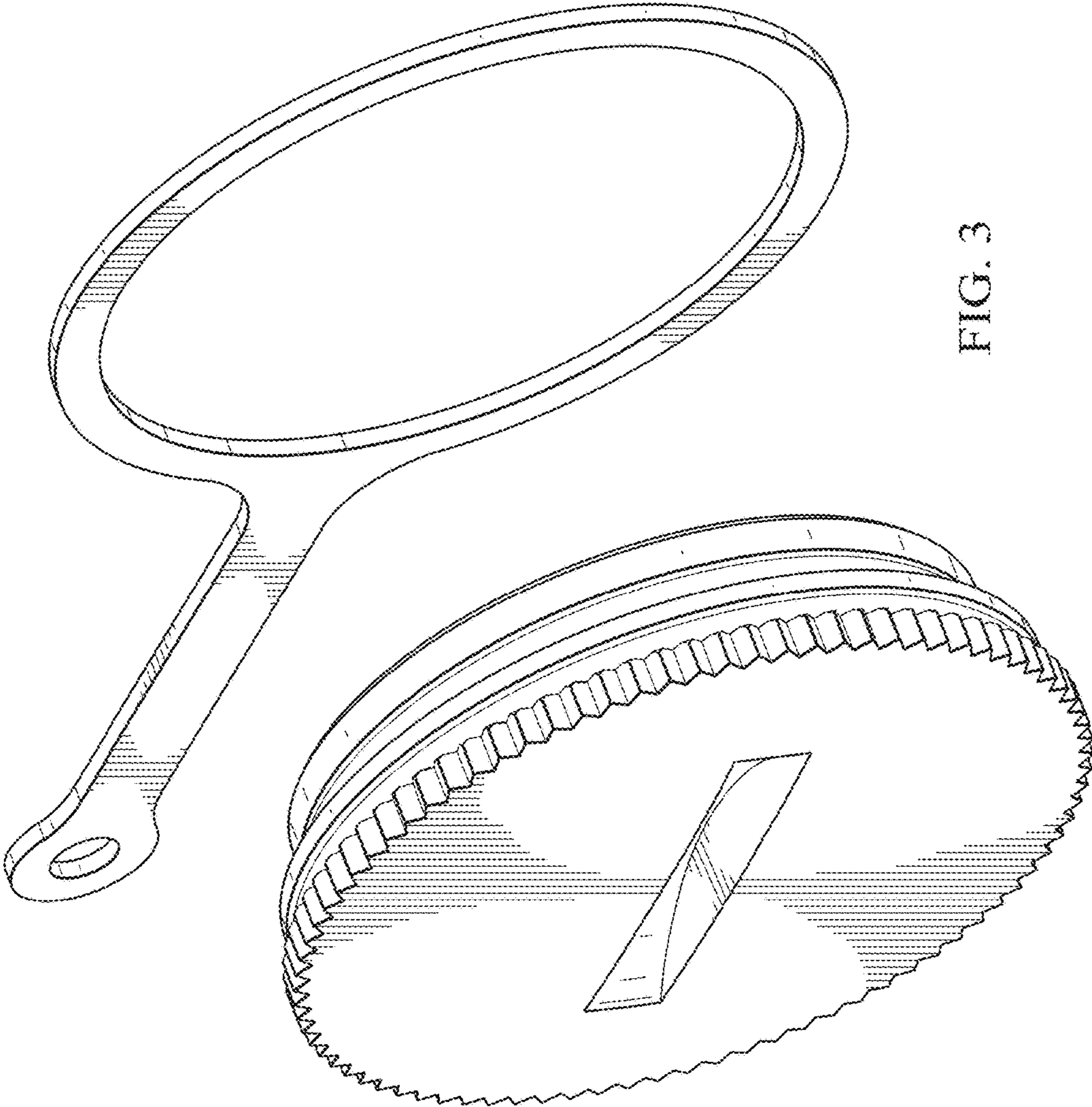


FIG. 3

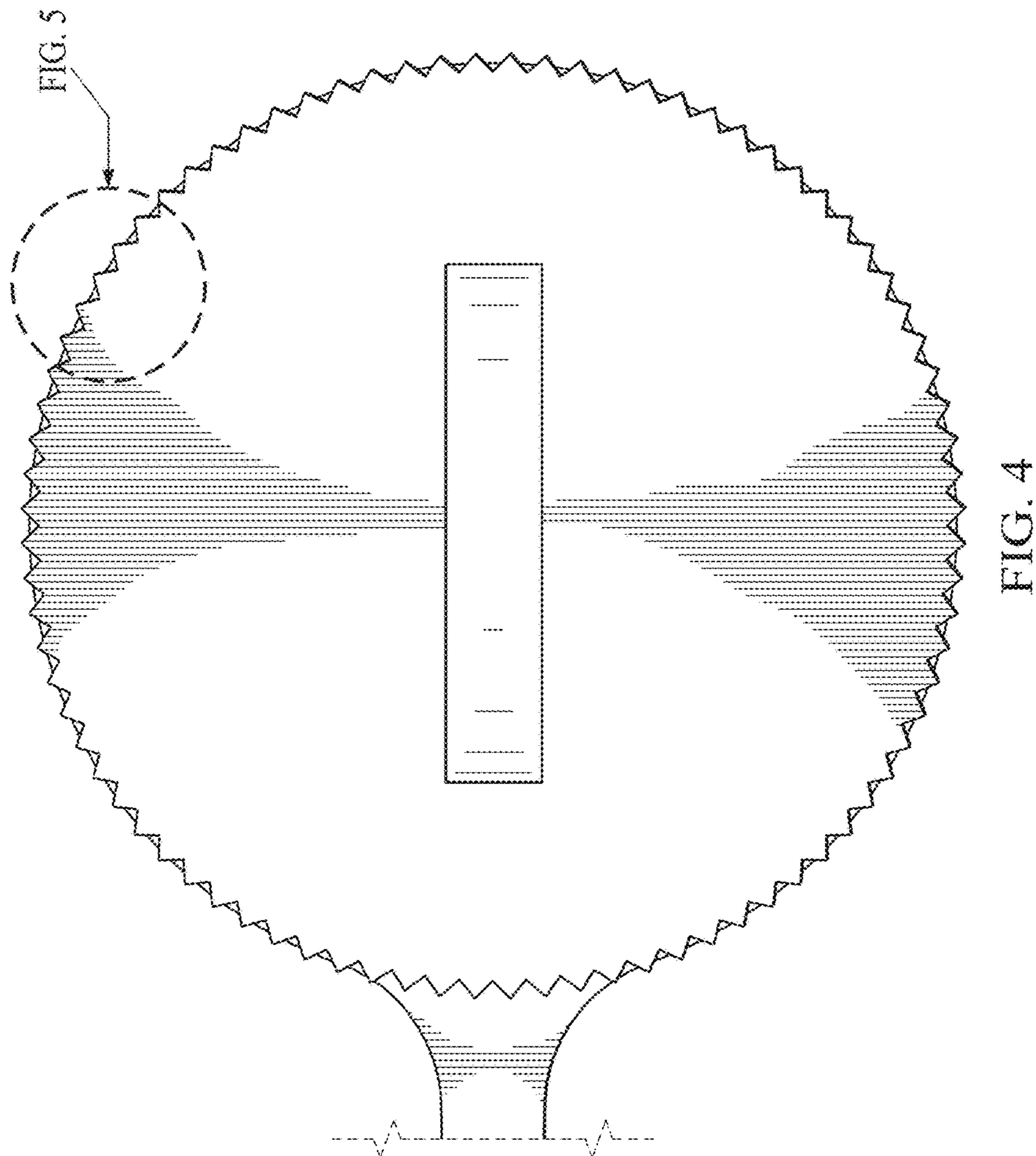


FIG. 5

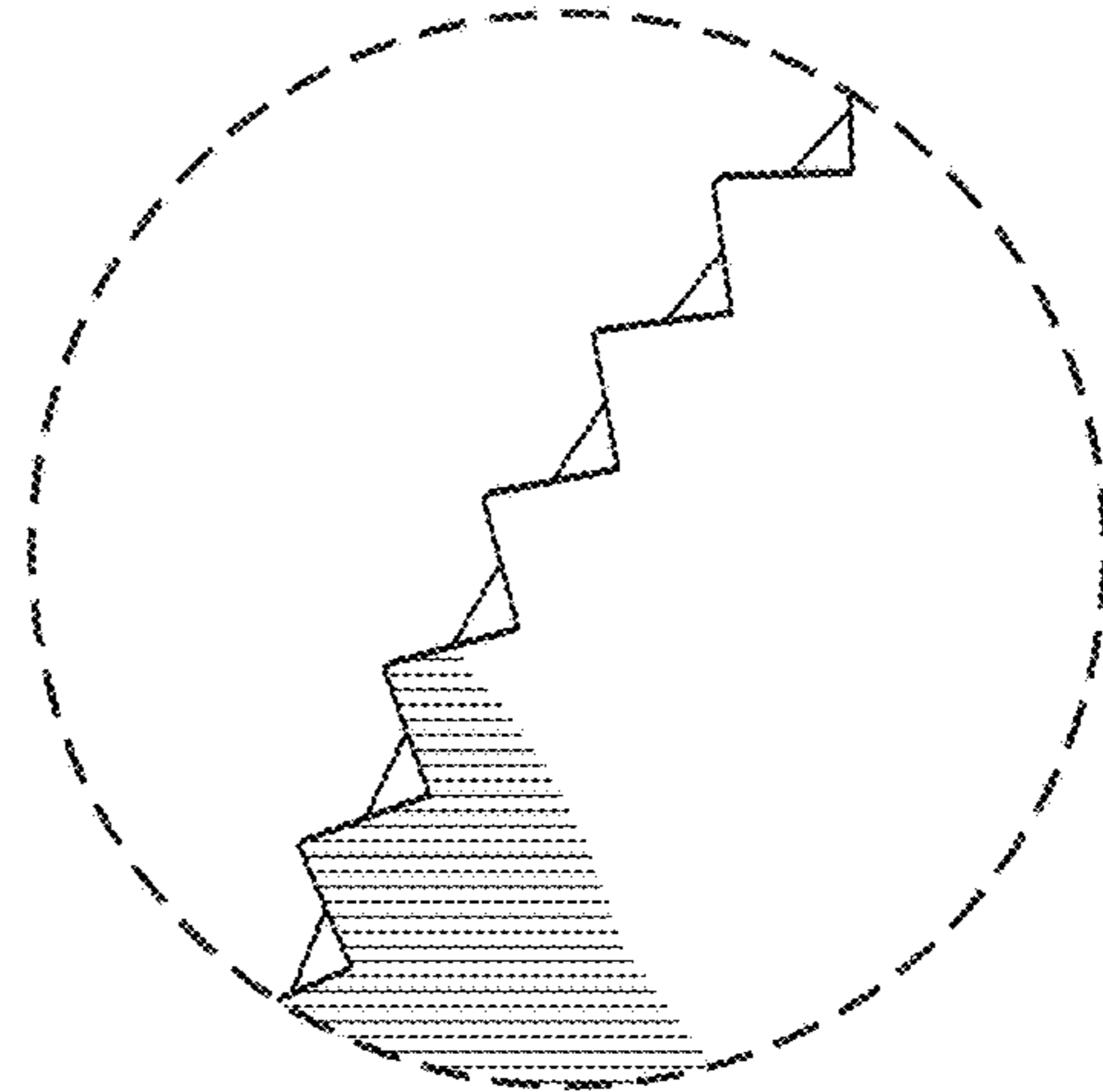


FIG. 4

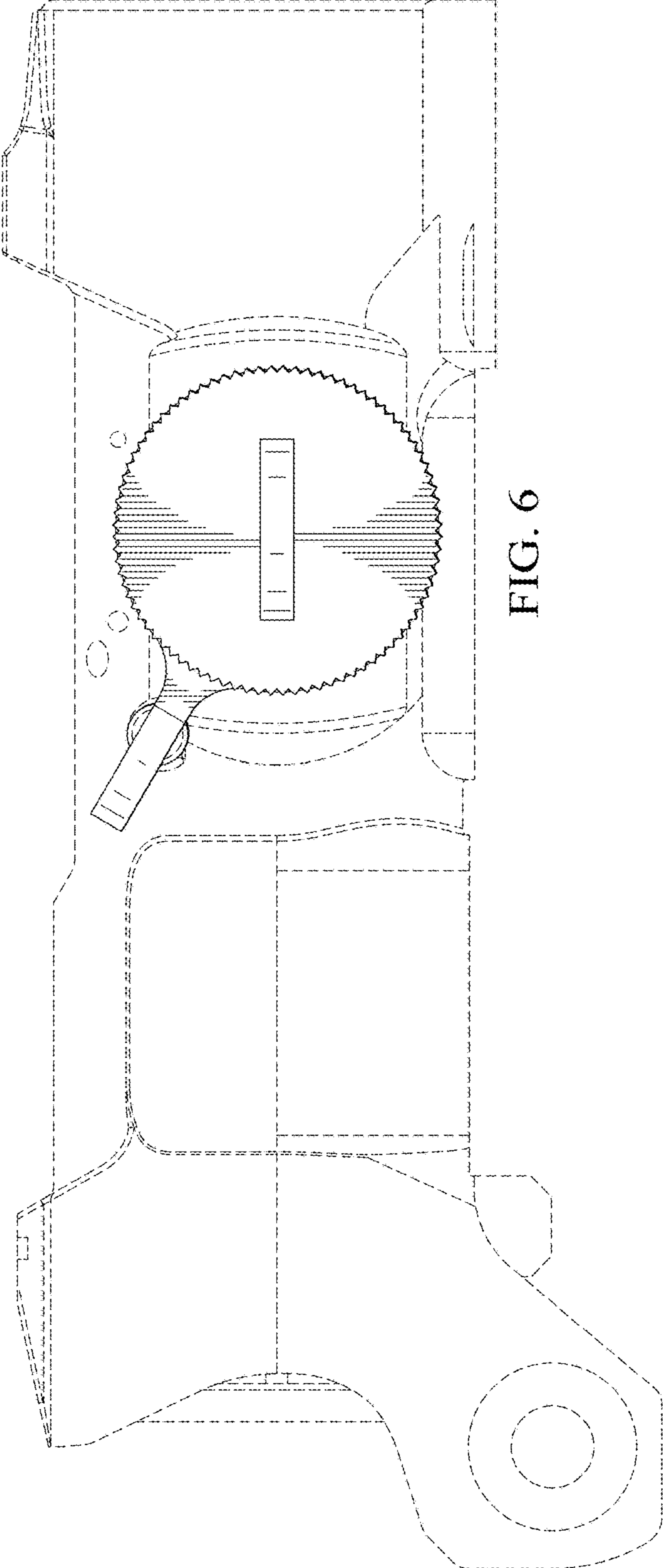


FIG. 6

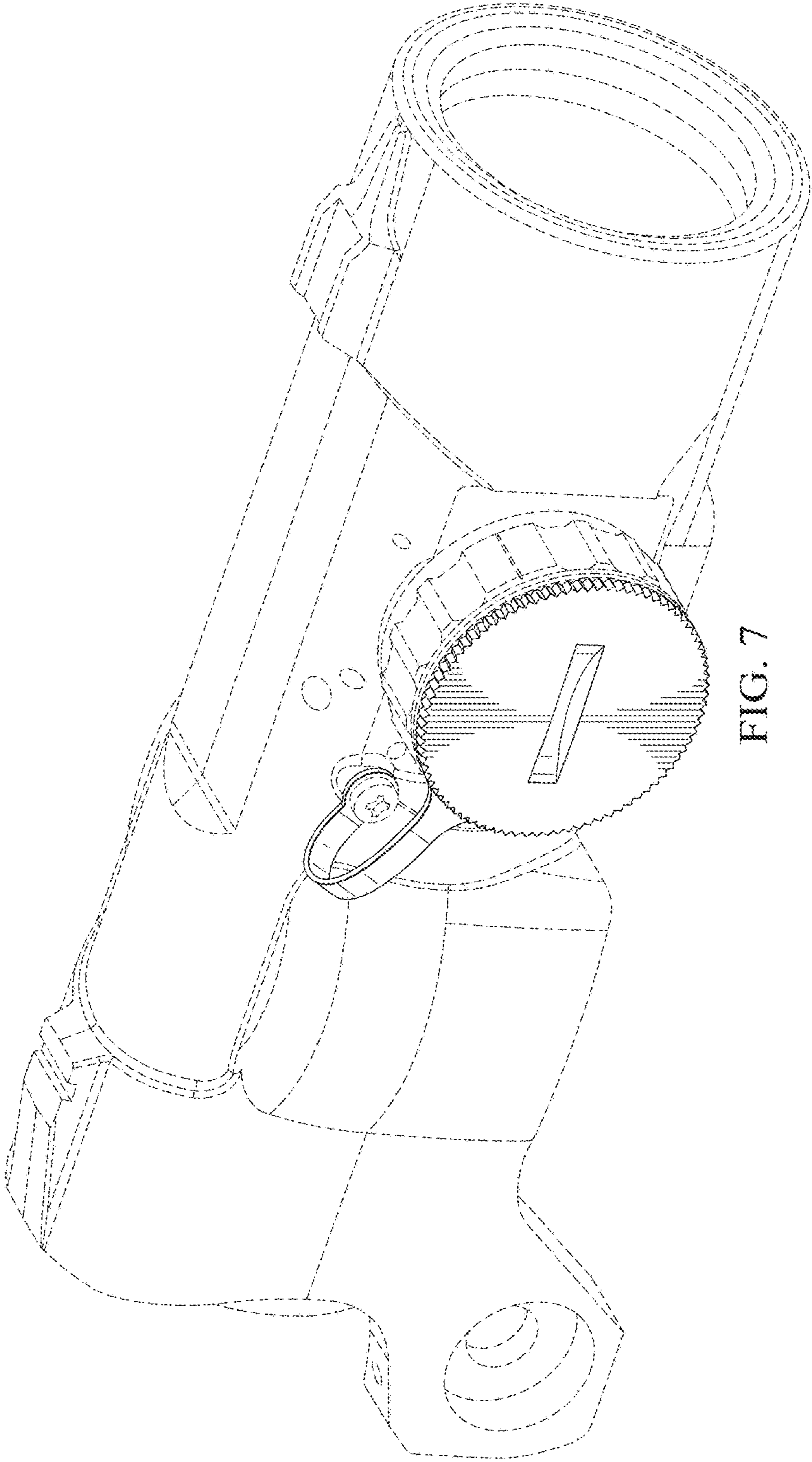


FIG. 7

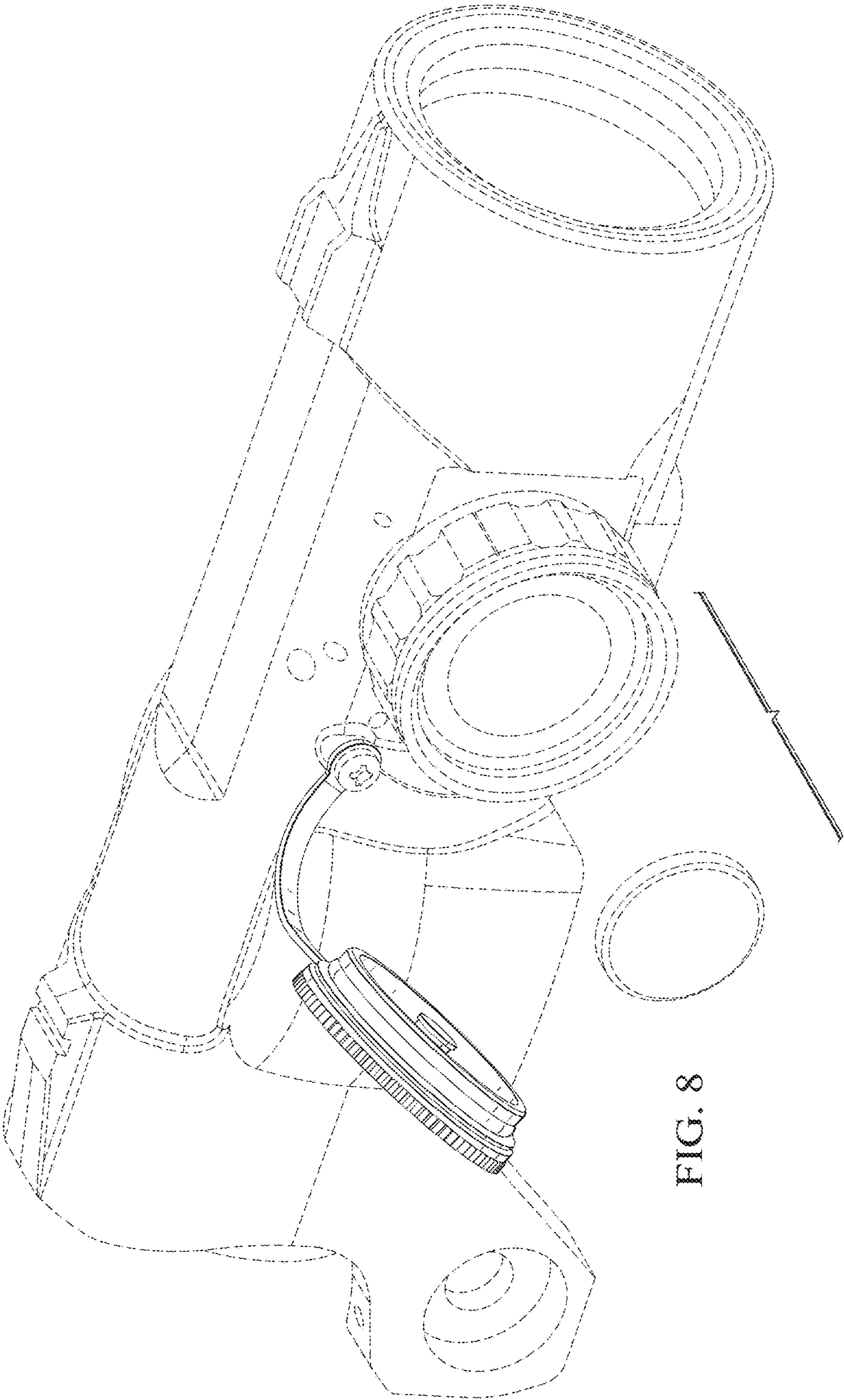


FIG. 8