



US00D855095S

(12) **United States Design Patent**
Wang et al.

(10) **Patent No.:** **US D855,095 S**
(45) **Date of Patent:** **** Jul. 30, 2019**

(54) **ROBOT**

(71) Applicant: **ABB Schweiz AG**, Baden (CH)

(72) Inventors: **Kangjian Wang**, Shanghai (CN);
Gongyao Ma, Shanghai (CN); **Qianhu Zhang**, Xi'an (CN); **Xinguo Fu**, Shanghai (CN); **Qihang Li**, Shanghai (CN); **Shimin Zhang**, Shanghai (CN); **Shifu Cheng**, Shanghai (CN)

(73) Assignee: **ABB Schweiz AG**, Baden (CH)

(**) Term: **15 Years**

(21) Appl. No.: **29/634,425**

(22) Filed: **Jan. 22, 2018**

(30) **Foreign Application Priority Data**

Oct. 23, 2017 (CN) 2017 3 0506929

(51) **LOC (11) Cl.** **15-99**

(52) **U.S. Cl.**
USPC **D15/199**

(58) **Field of Classification Search**
USPC D15/199; D21/578-583, 621, 622
CPC B25J 5/007; B60B 19/006; B62D 57/024;
H01F 7/0221; Y10S 901/01
See application file for complete search history.

(56) **References Cited**

U.S. PATENT DOCUMENTS

D440,241 S * 4/2001 Kawahara D15/199
D443,287 S * 6/2001 Kawahara D15/199
D613,781 S * 4/2010 Liu D15/199
D616,477 S * 5/2010 Long D15/199
D624,104 S * 9/2010 Miyake 15/99
D636,803 S * 4/2011 Nakagiri D15/199
D638,043 S * 5/2011 Tsuchiya D15/199
D638,044 S * 5/2011 Ikoma D15/199
D650,820 S * 12/2011 Long D15/199

D670,319 S * 11/2012 Liu D15/199
8,386,077 B2 * 2/2013 Birkenbach G05B 19/402
700/245
D677,294 S * 3/2013 Long D15/199
(Continued)

FOREIGN PATENT DOCUMENTS

JP D1410745 4/2011
JP D1410976 4/2011

OTHER PUBLICATIONS

Japan Patent Office, Notification dated Feb. 18, 2019 in corresponding Japanese application No. 2018-000347, 3 pp.

Primary Examiner — Patricia A Palasik

(74) *Attorney, Agent, or Firm* — Taft Stettinius & Hollister LLP; J. Bruce Schelkopf

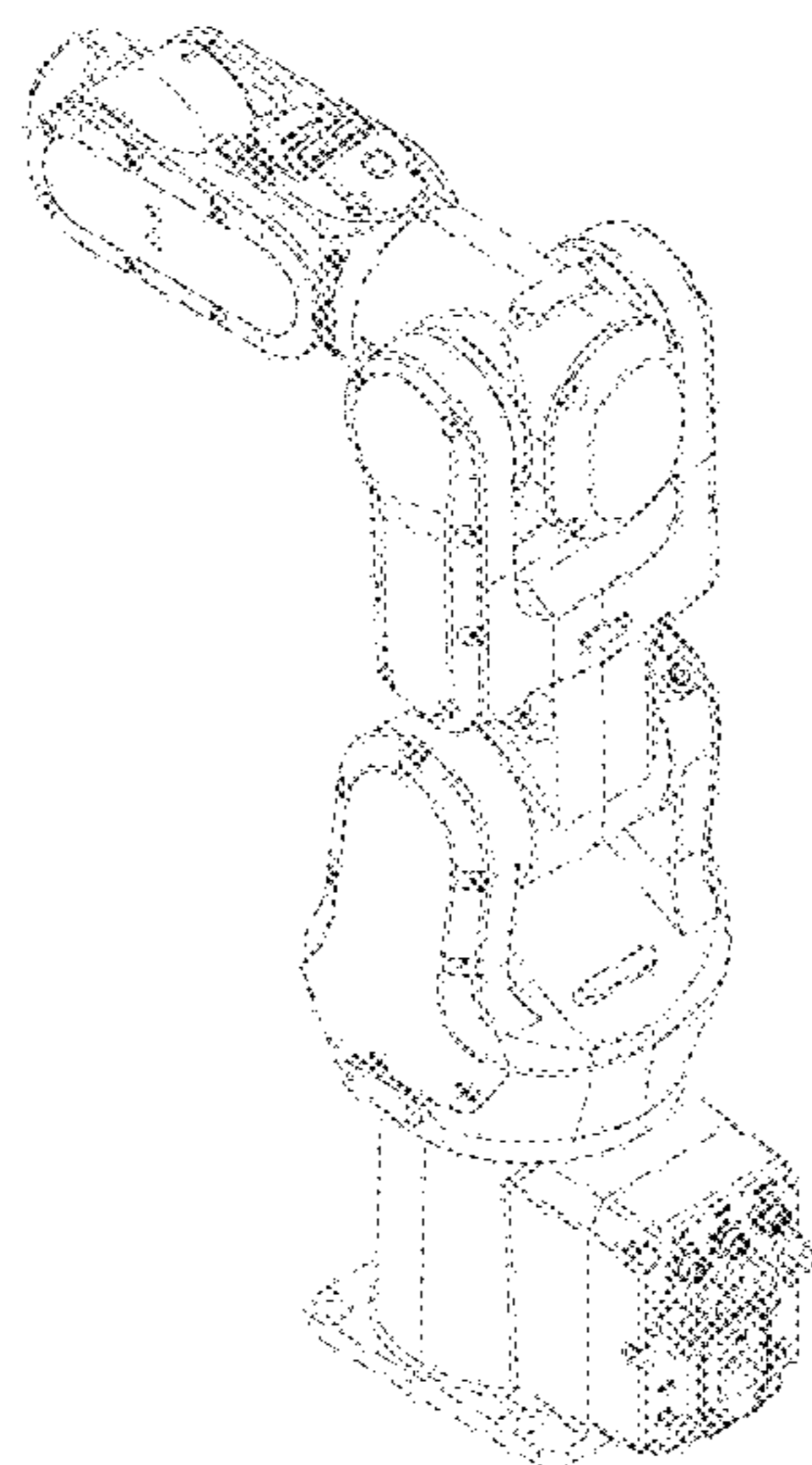
(57) **CLAIM**

The ornamental design for a robot, as shown and described.

DESCRIPTION

FIG. 1 illustrates a front view of a robot.
FIG. 2 illustrates a rear side view of the robot shown in FIG. 1.
FIG. 3 illustrates a left side view of the robot shown in FIG. 1.
FIG. 4 illustrates a right side view of the robot shown in FIG. 1.
FIG. 5 illustrates a top side view of the robot shown in FIG. 1.
FIG. 6 illustrates a bottom side view of the robot shown in FIG. 1.
FIG. 7 illustrates a bottom right perspective view of the robot shown in FIG. 1.
FIG. 8 illustrates a bottom left side perspective view of the robot shown in FIG. 1; and,
FIG. 9 illustrates a top right perspective view of the robot shown in FIG. 1.

1 Claim, 7 Drawing Sheets



(56)

References Cited

U.S. PATENT DOCUMENTS

D678,378 S * 3/2013 Selic D15/199
D681,708 S * 5/2013 Miyake D15/199
D690,753 S * 10/2013 Liu D15/199
D707,277 S * 6/2014 Olsson D15/199
D713,436 S * 9/2014 Liu D15/199
8,914,152 B2 * 12/2014 Scheurer B25J 9/1666
700/250
9,095,982 B2 * 8/2015 Oka B25J 17/0283
9,102,065 B2 * 8/2015 Krumbacher B25J 17/02
9,120,229 B2 * 9/2015 Roth B25J 9/0018
D776,735 S 1/2017 Zhu et al.
D827,005 S * 8/2018 Huang D15/199
D827,006 S * 8/2018 Lin D15/199

* cited by examiner

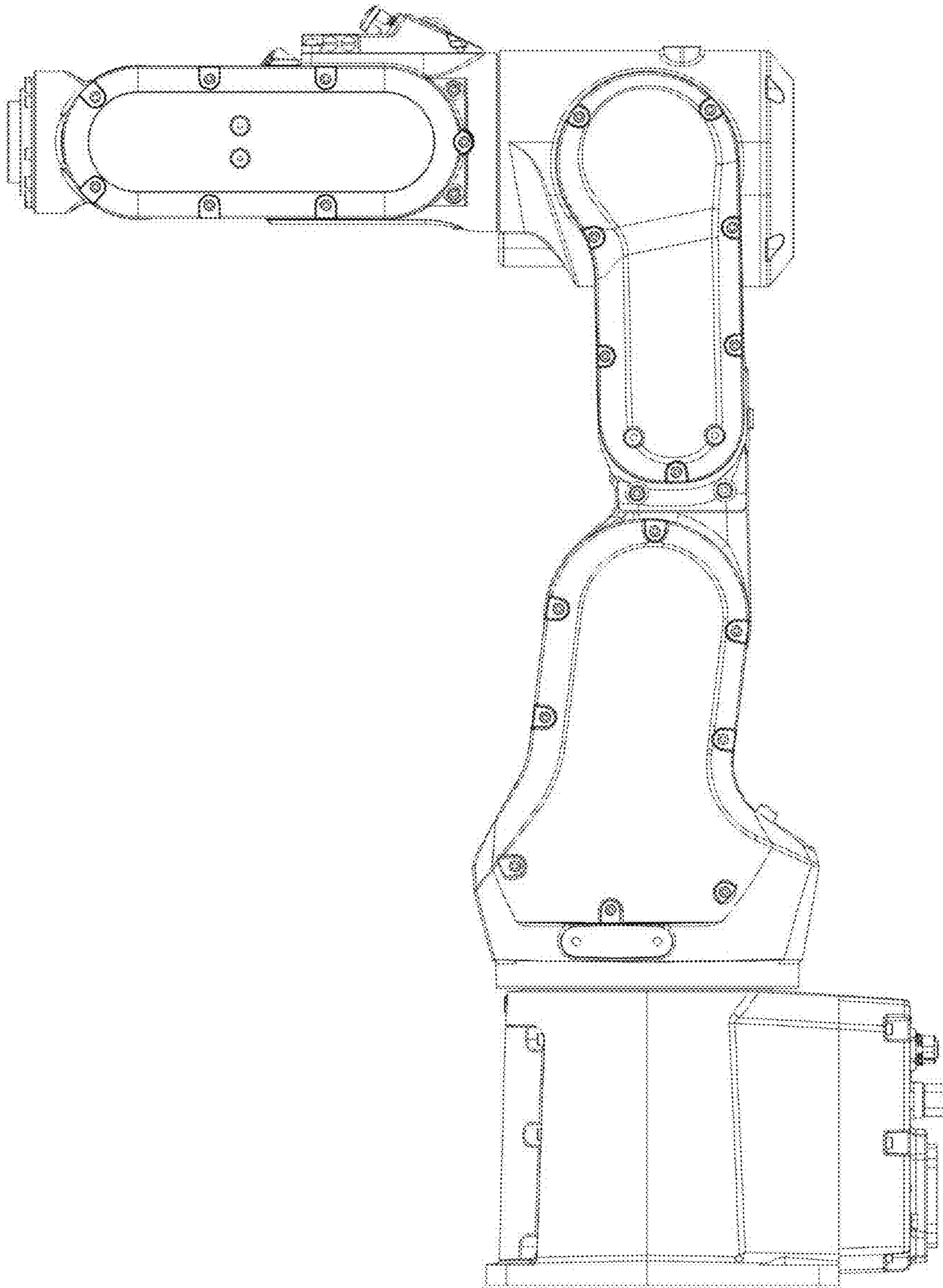


FIGURE 1

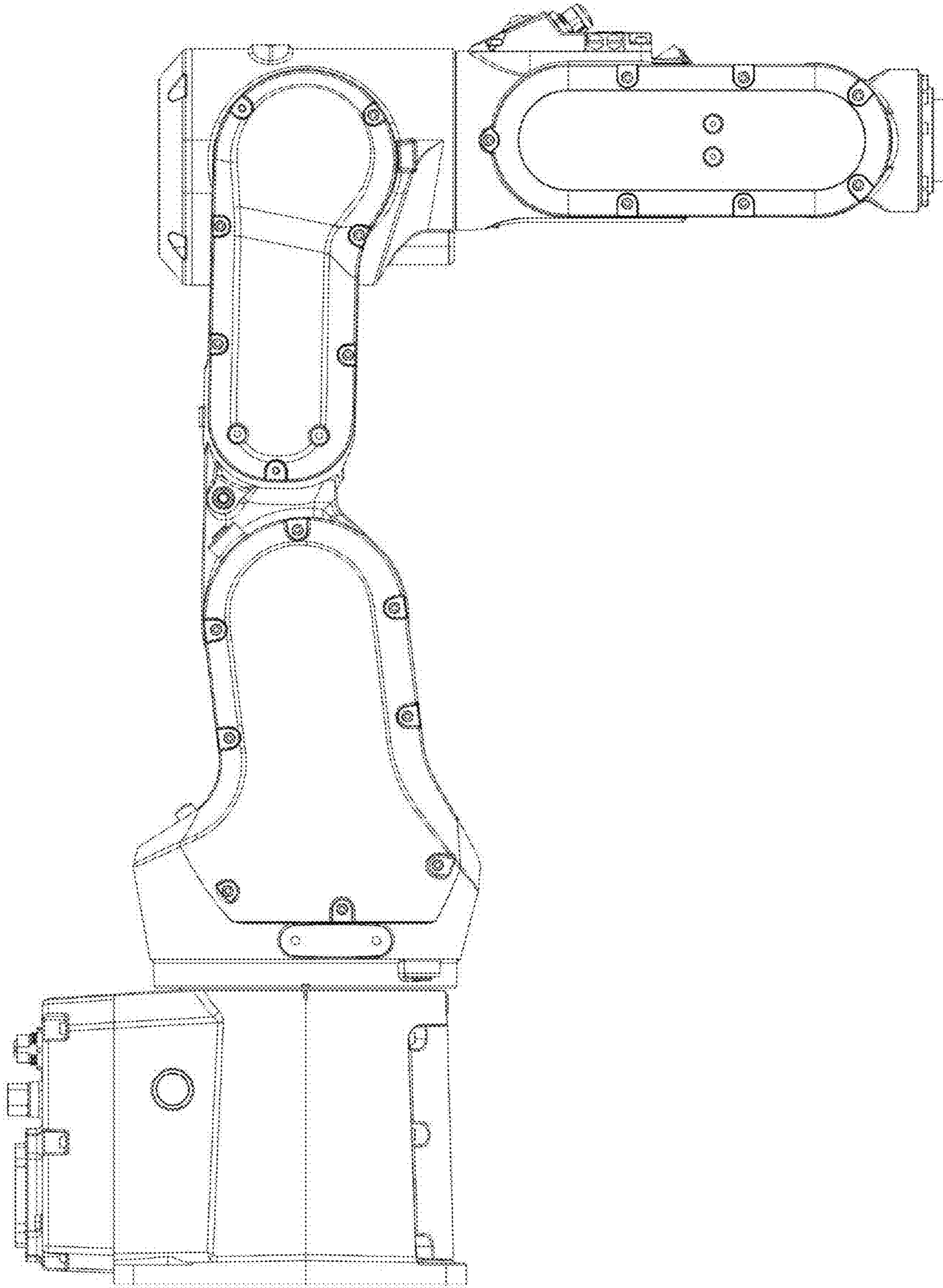


FIGURE 2

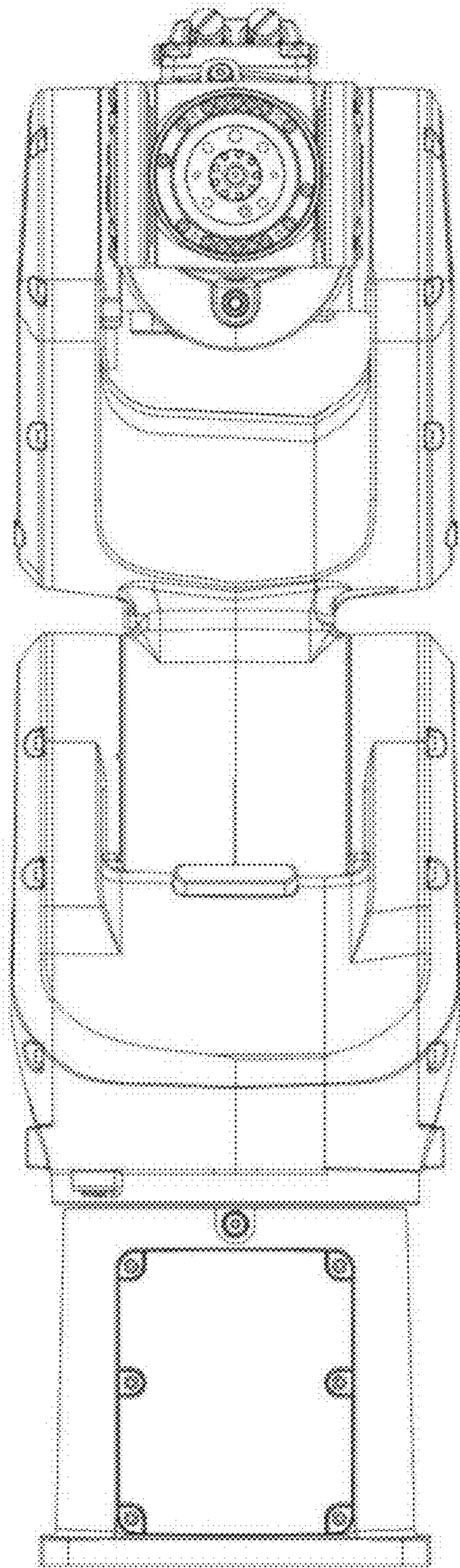


FIGURE 3

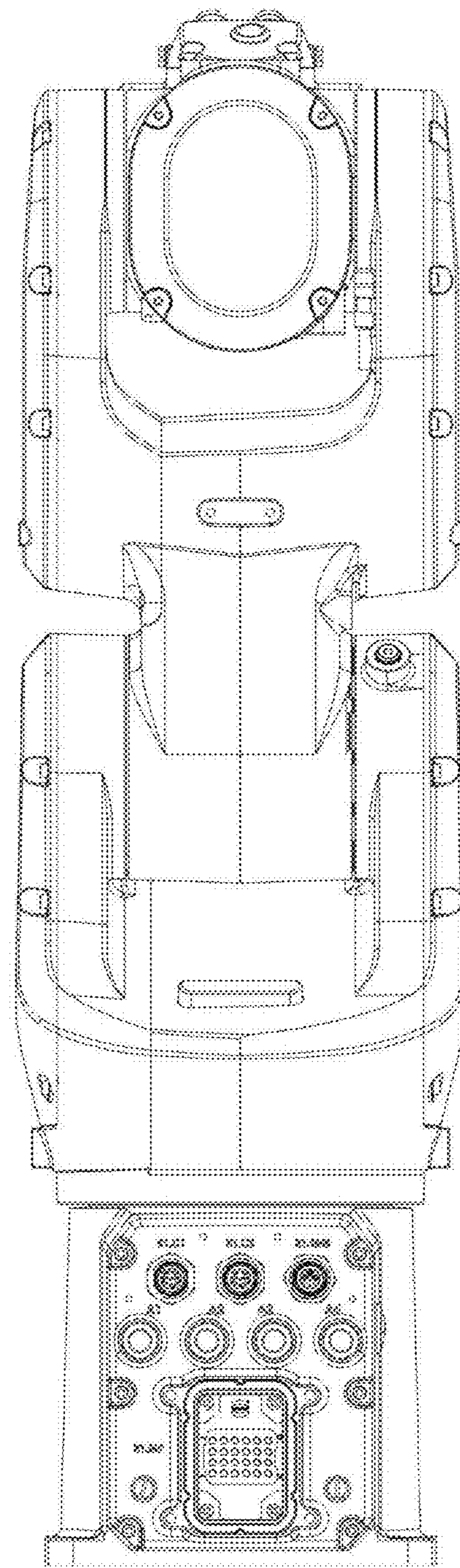


FIGURE 4

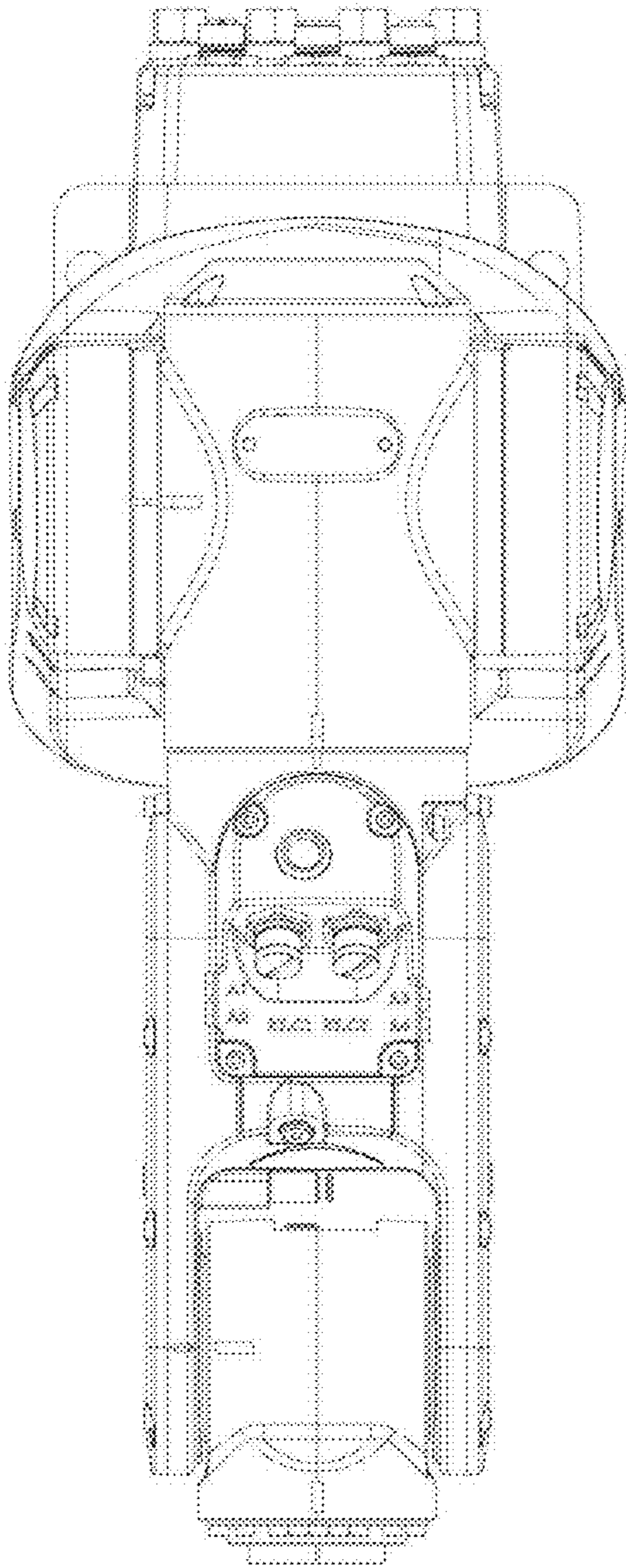


FIGURE 5

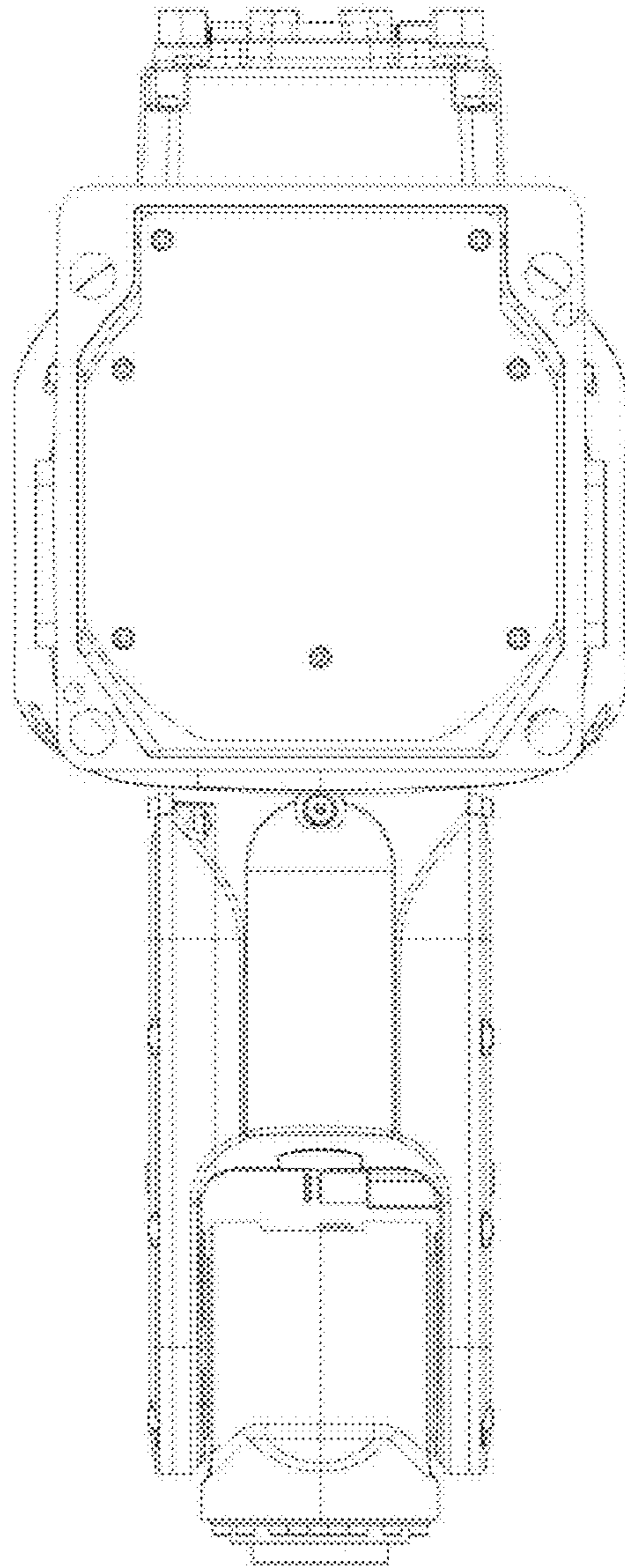


FIGURE 6

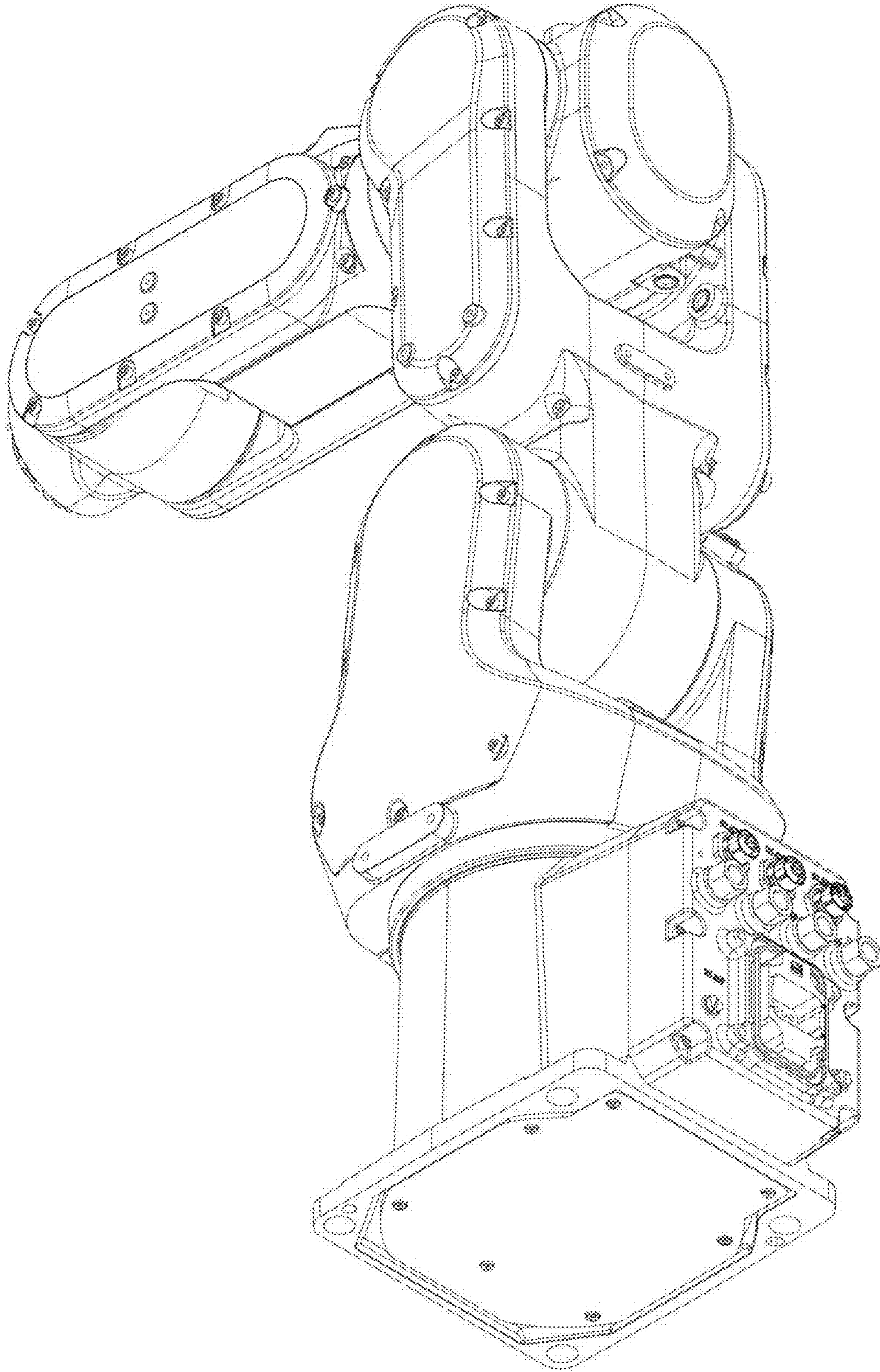


FIGURE 7

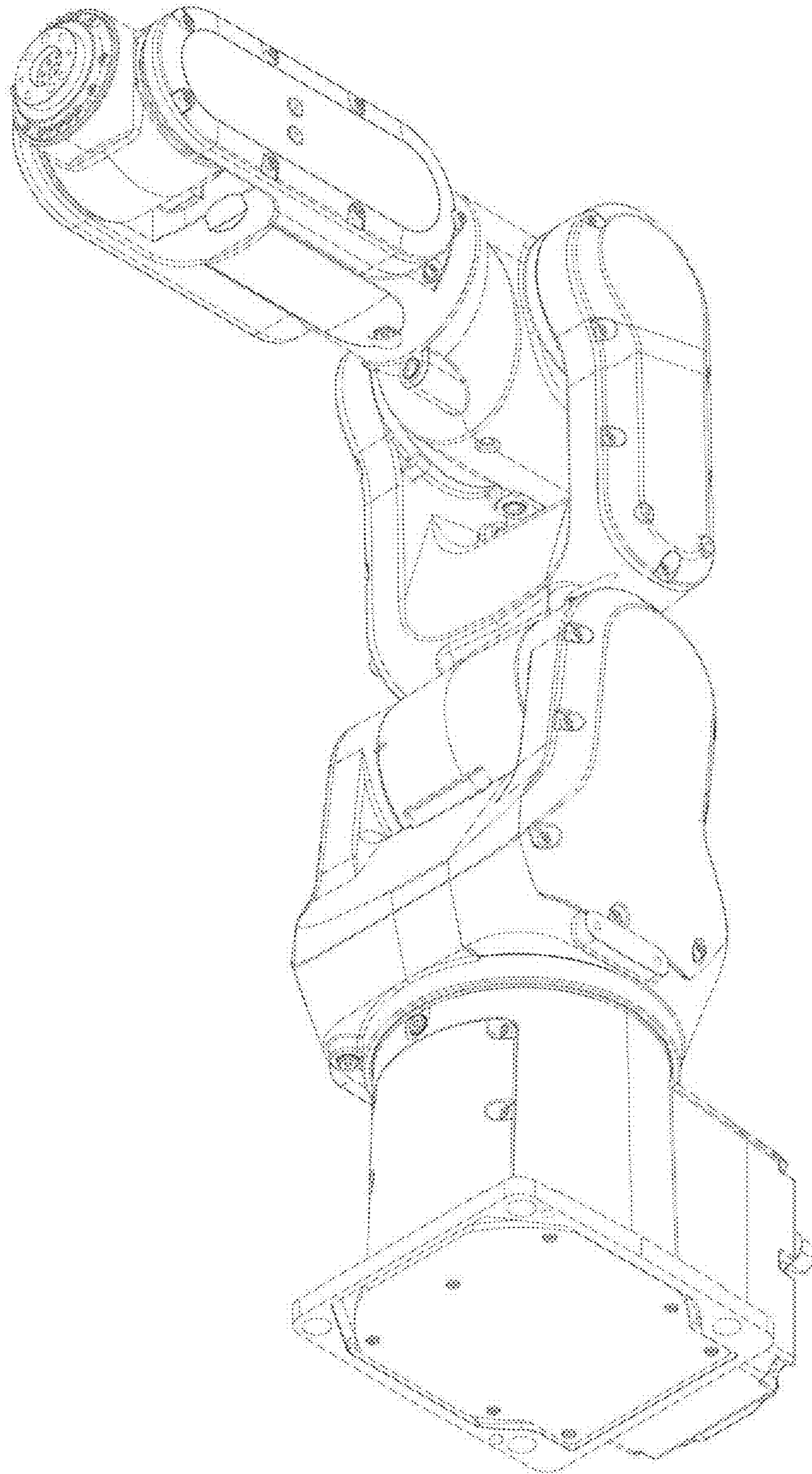


FIGURE 8

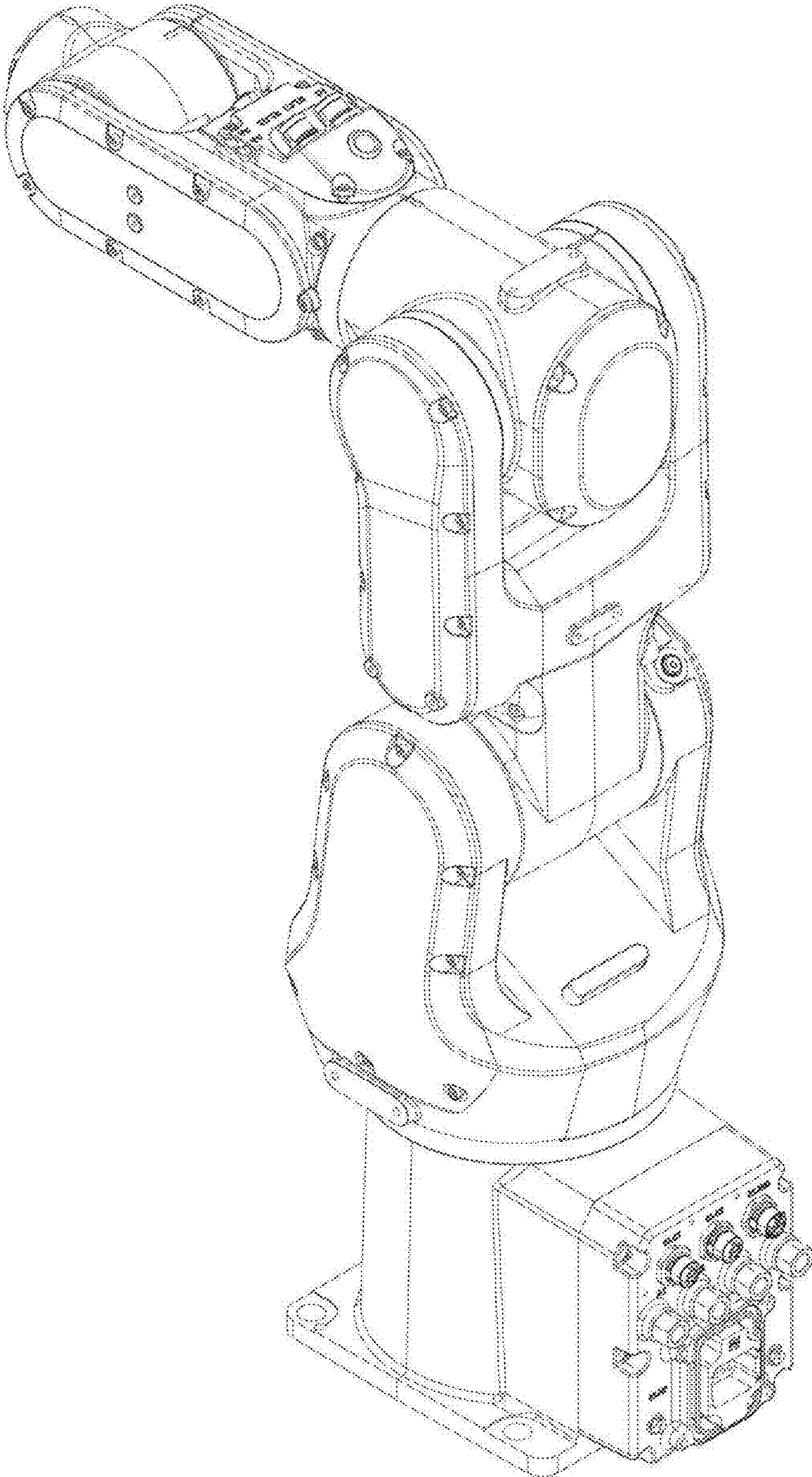


FIGURE 9