

US00D855093S

(12) **United States Design Patent**  
**Michel**

(10) **Patent No.:** **US D855,093 S**

(45) **Date of Patent:** **\*\* Jul. 30, 2019**

(54) **STORAGE TANK**

(71) Applicant: **Des-Case Corporation**, Goodlettsville,  
TN (US)

(72) Inventor: **Matthew L. Michel**, Goodlettsville, TN  
(US)

(73) Assignee: **Des-Case Corporation**, Goodlettsville,  
TN (US)

(\*\*) Term: **15 Years**

(21) Appl. No.: **29/622,210**

(22) Filed: **Oct. 16, 2017**

(51) **LOC (11) Cl.** ..... **15-09**

(52) **U.S. Cl.**  
USPC ..... **D15/150**

(58) **Field of Classification Search**  
USPC ..... D15/150, 151, 152; D23/206;  
D29/101.2  
CPC ..... B60P 1/16; B60P 1/36; B60P 1/42; B60P  
1/286; B60P 3/30  
See application file for complete search history.

(56) **References Cited**

**U.S. PATENT DOCUMENTS**

D211,723 S *	7/1968	Vroman et al. ....	D23/202
D251,674 S *	4/1979	Sayward .....	D23/202
D259,437 S *	6/1981	Koga .....	D23/202
D282,921 S *	3/1986	Eureka .....	D12/218
D310,170 S *	8/1990	Bartz .....	D15/152
D329,331 S *	9/1992	Hobson .....	D3/294
D344,571 S *	2/1994	Peasley .....	D23/202
D356,851 S *	3/1995	Holmstadt .....	D23/202
D356,891 S *	4/1995	Hobson .....	D3/201
D360,778 S *	8/1995	Apt, III .....	D6/663
D372,641 S *	8/1996	Betend-Bon .....	D7/629
D376,259 S *	12/1996	Dickinson .....	D3/273
D381,512 S *	7/1997	Green .....	D3/273
D427,062 S *	6/2000	Alvarez .....	D23/211.1

D551,153 S *	9/2007	Oury .....	D12/218
D557,178 S *	12/2007	Petzitillo, Jr. ....	D12/95
D593,324 S *	6/2009	Simas .....	D3/302
D603,932 S *	11/2009	Natgrass .....	D23/202
D609,776 S *	2/2010	Nirenberg .....	D23/211.1
D623,720 S *	9/2010	Brown .....	D23/211.1
D625,774 S *	10/2010	Nirenberg .....	D23/211.1
D636,056 S *	4/2011	Pritchard .....	D23/211.1
D654,556 S *	2/2012	McIntosh .....	D23/202
D664,854 S *	8/2012	Farris .....	D9/527
D710,968 S *	8/2014	Colbert .....	D23/202

(Continued)

*Primary Examiner* — Patricia A Palasik

(74) *Attorney, Agent, or Firm* — Patterson Intellectual  
Property Law, P.C.; Ryan D. Levy

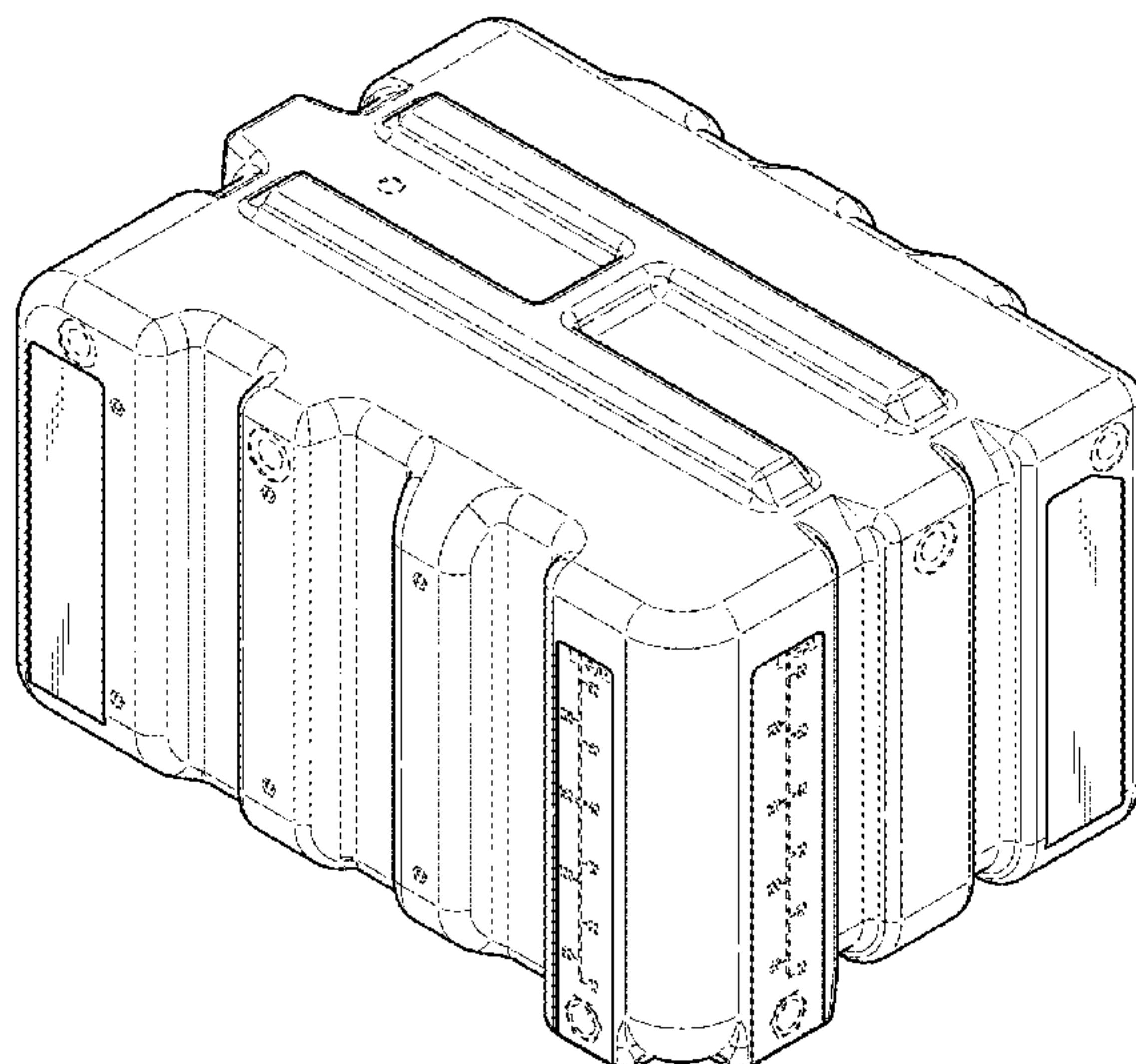
(57) **CLAIM**

What is claimed is the ornamental design for a storage tank,  
as shown and described.

**DESCRIPTION**

FIG. 1 is a top perspective view of the first embodiment showing the storage tank.  
 FIG. 2 is a bottom perspective view thereof.  
 FIG. 3 is a left side elevational view thereof.  
 FIG. 4 is a right side elevational view thereof.  
 FIG. 5 is a front elevational view thereof.  
 FIG. 6 is a back elevational view thereof.  
 FIG. 7 is a top plan view thereof.  
 FIG. 8 is a bottom plan view thereof.  
 FIG. 9 is a top perspective view thereof.  
 FIG. 10 is a bottom perspective view of the second embodiment of the storage tank.  
 FIG. 11 is a left side elevational view thereof.  
 FIG. 12 is a right side elevational view thereof.  
 FIG. 13 is a front elevational view thereof.  
 FIG. 14 is a back elevational view thereof.  
 FIG. 15 is a top plan view thereof; and,  
 FIG. 16 is a bottom plan view thereof.

**1 Claim, 10 Drawing Sheets**



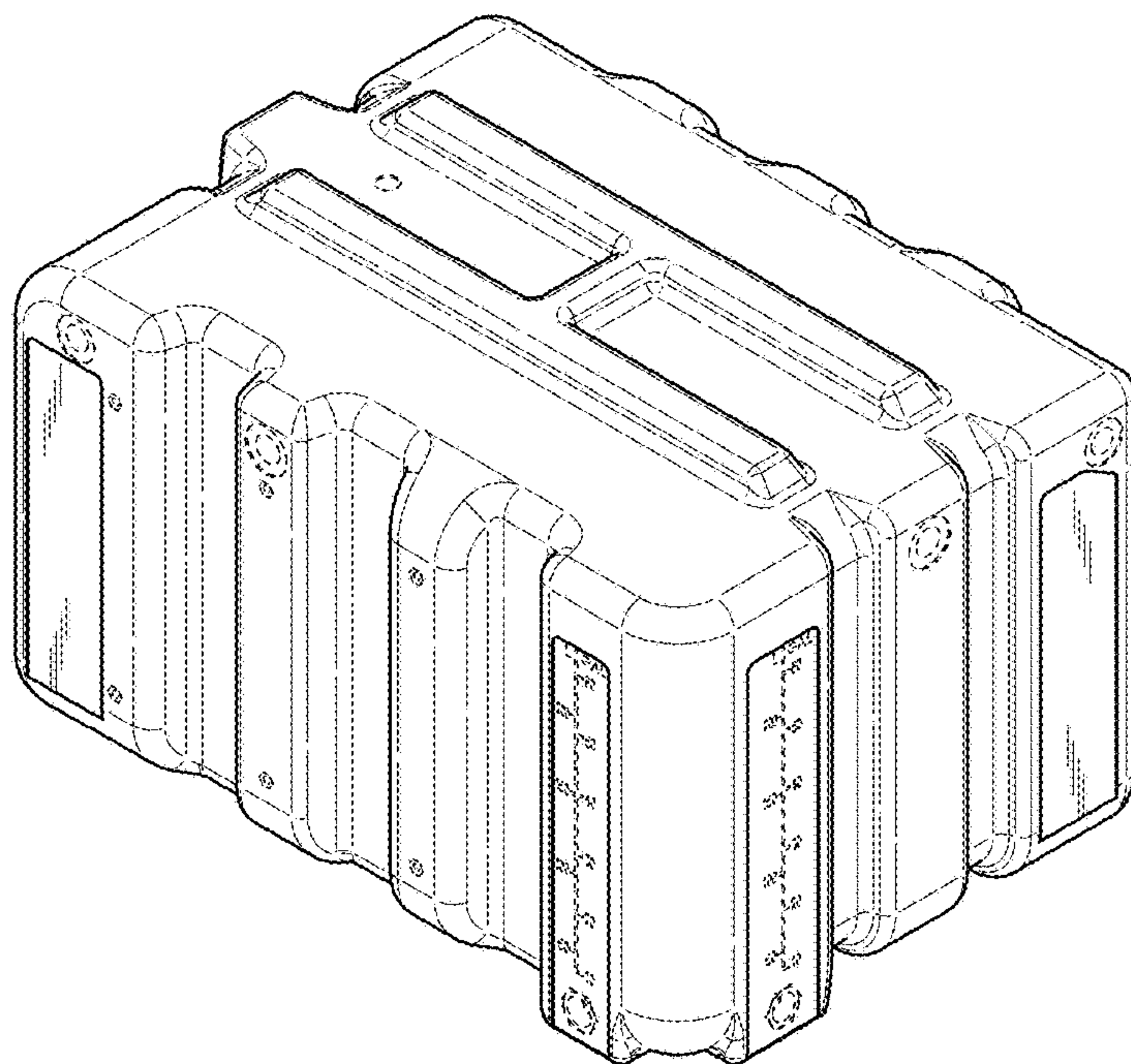
(56)

**References Cited**

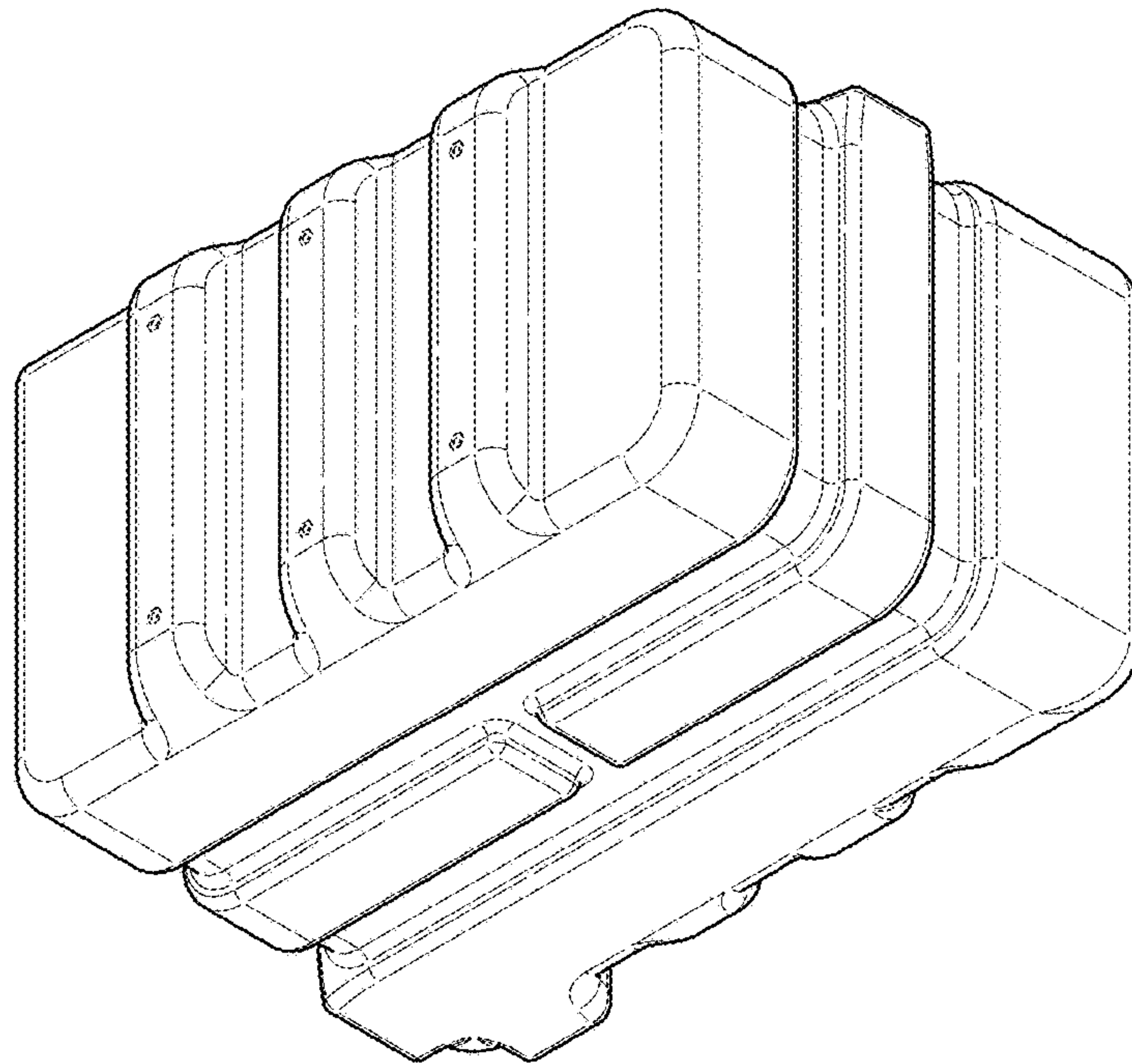
U.S. PATENT DOCUMENTS

D714,418 S \* 9/2014 Skeele, III ..... D23/202  
D721,160 S \* 1/2015 O’Rielly ..... D23/202  
D724,177 S \* 3/2015 Lee ..... D23/202  
D740,390 S \* 10/2015 Soble ..... D23/202  
D761,110 S \* 7/2016 Hart ..... D9/524  
D766,397 S \* 9/2016 Ginn ..... E03B 3/03  
D23/202  
D773,958 S \* 12/2016 Rike ..... D12/15  
D794,745 S \* 8/2017 Tahkio ..... D23/202  
D798,992 S \* 10/2017 Rowsey ..... D23/202  
10,160,595 B1 \* 12/2018 Ziegs ..... B65D 90/023  
D840,267 S \* 2/2019 Rike ..... D12/15  
2009/0218354 A1 \* 9/2009 Yoo ..... F17C 3/00  
220/560.11  
2014/0196969 A1 \* 7/2014 Jaffarullah ..... B08B 1/00  
180/200  
2017/0122574 A1 \* 5/2017 Ferron ..... F24D 17/0068

\* cited by examiner

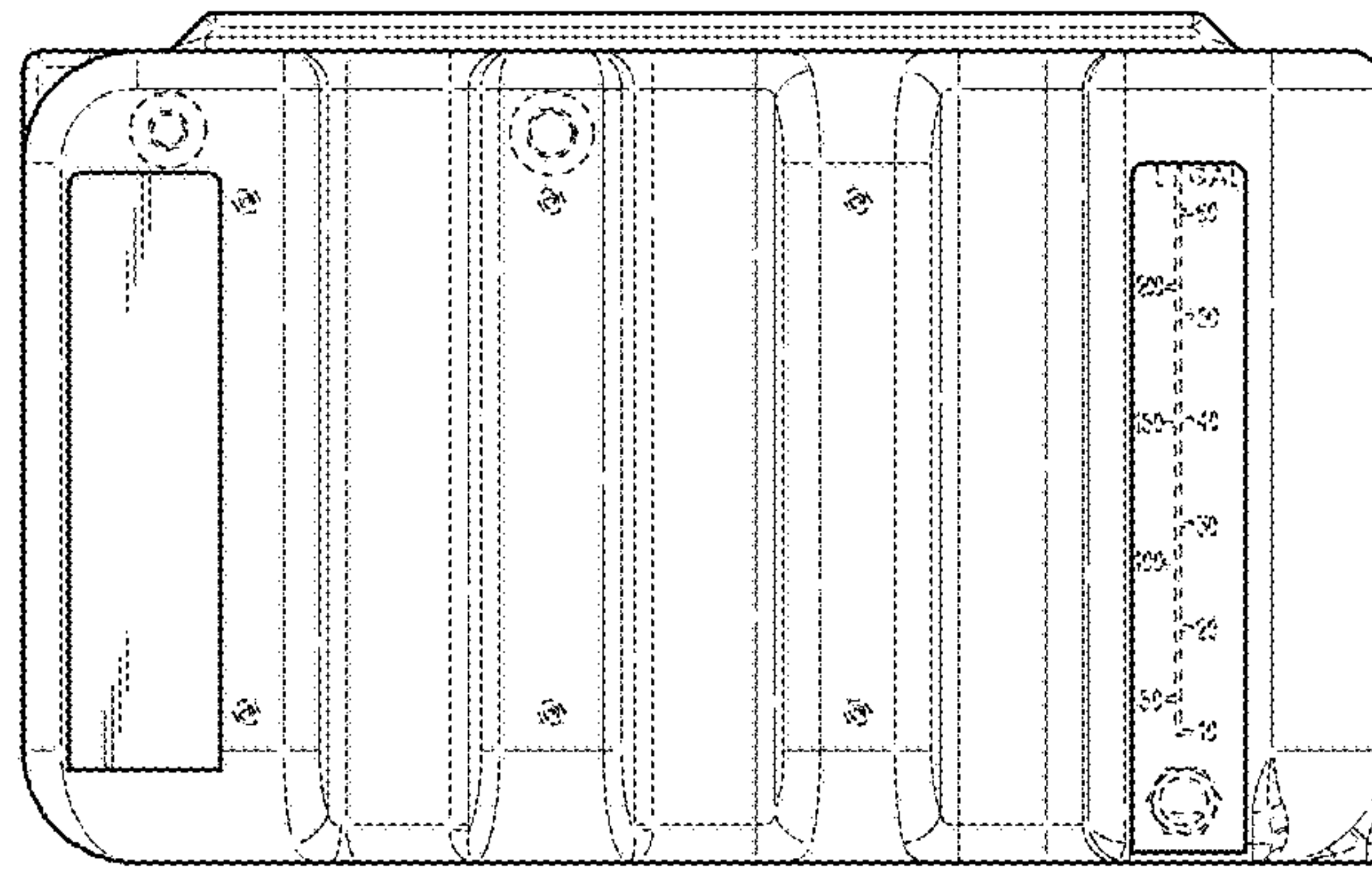


*FIG. 1*

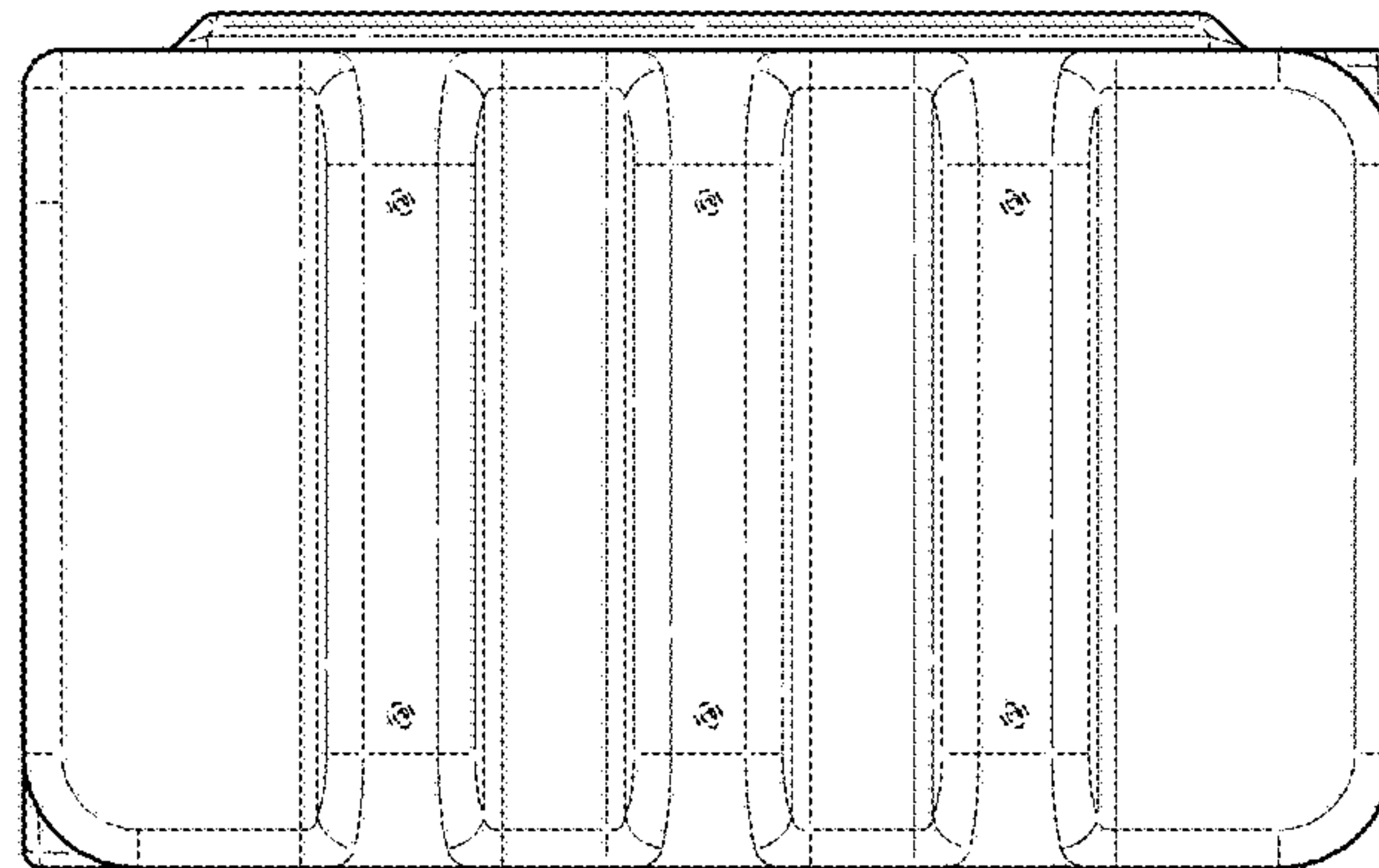


*FIG. 2*

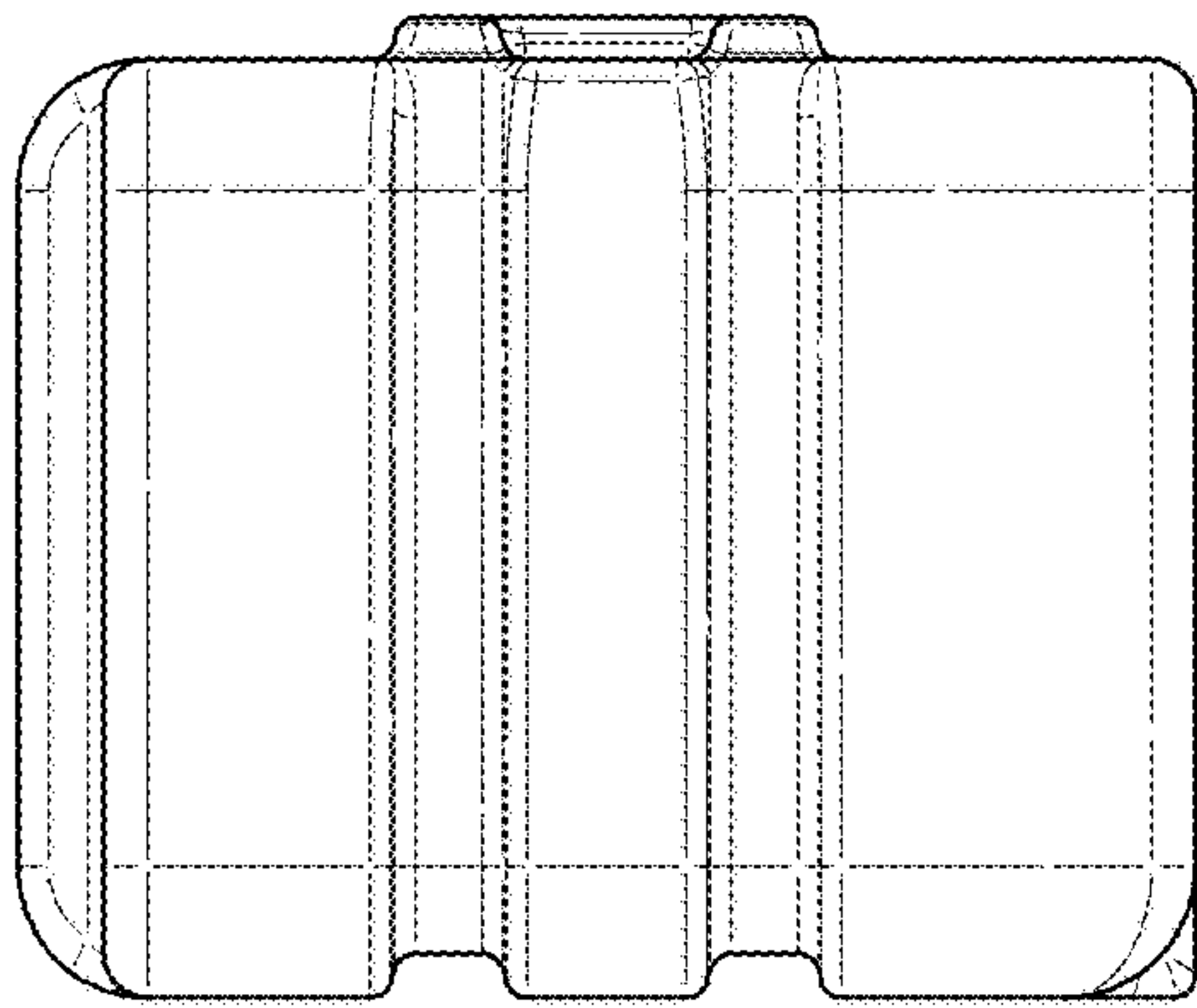




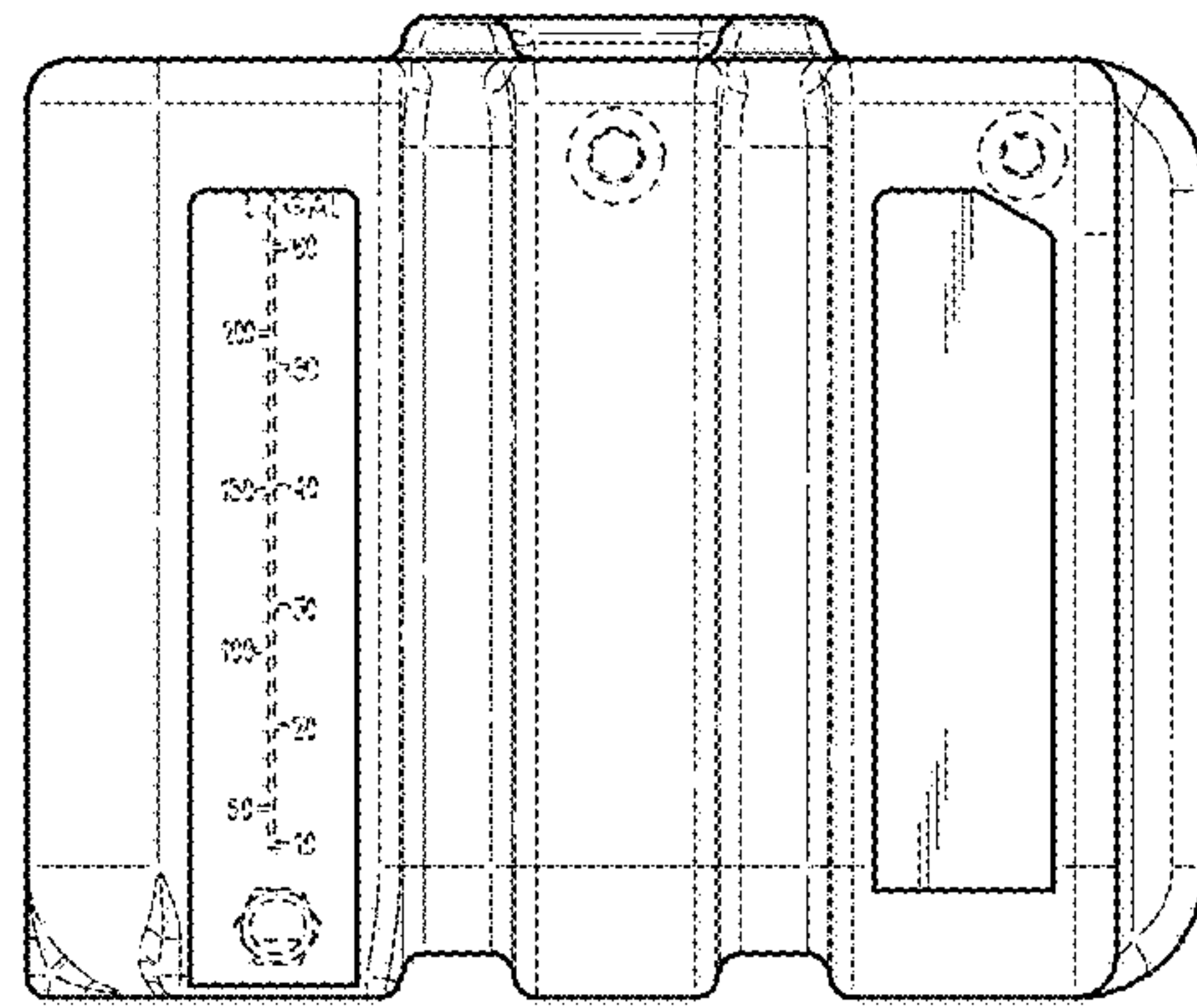
*FIG. 3*



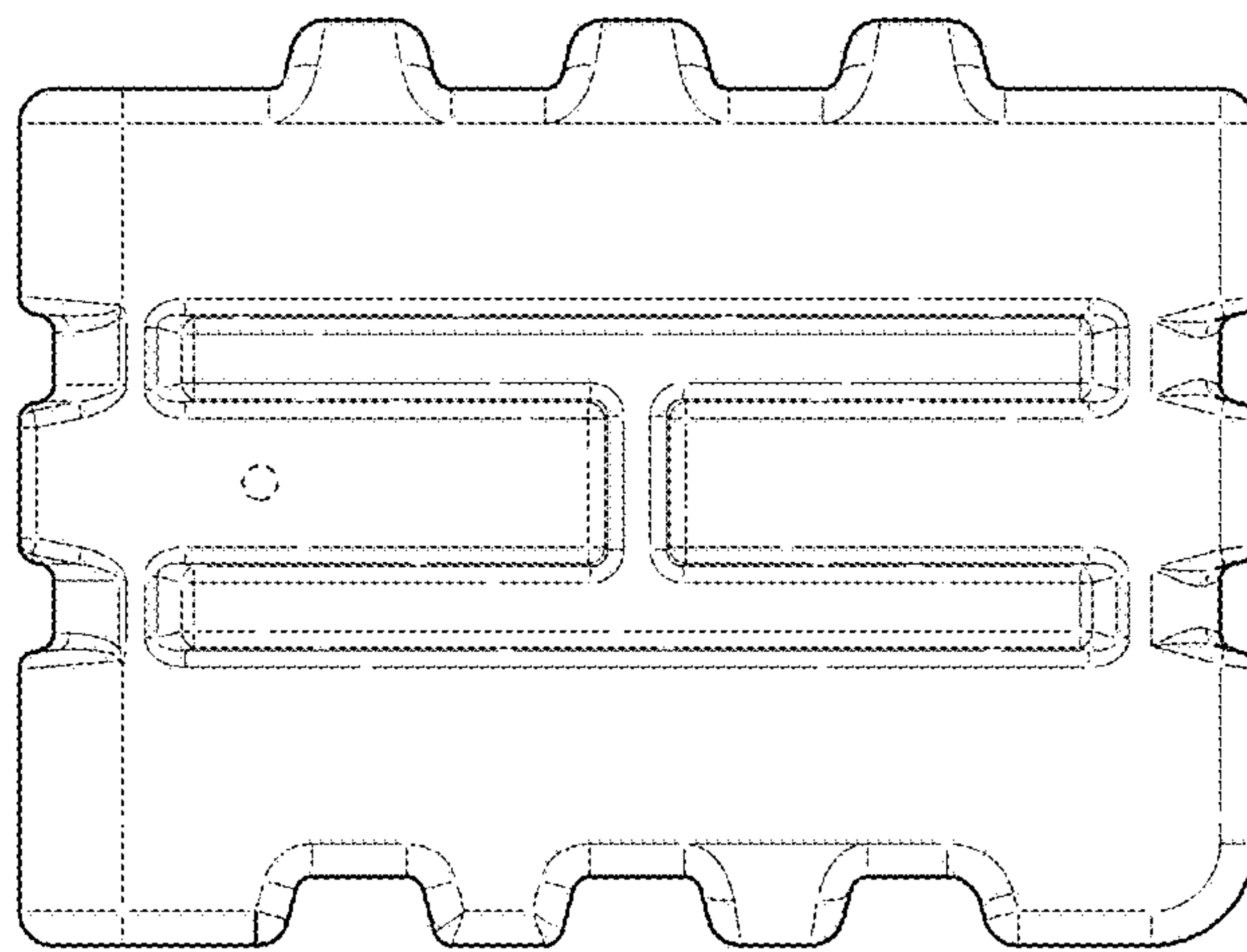
*FIG. 4*



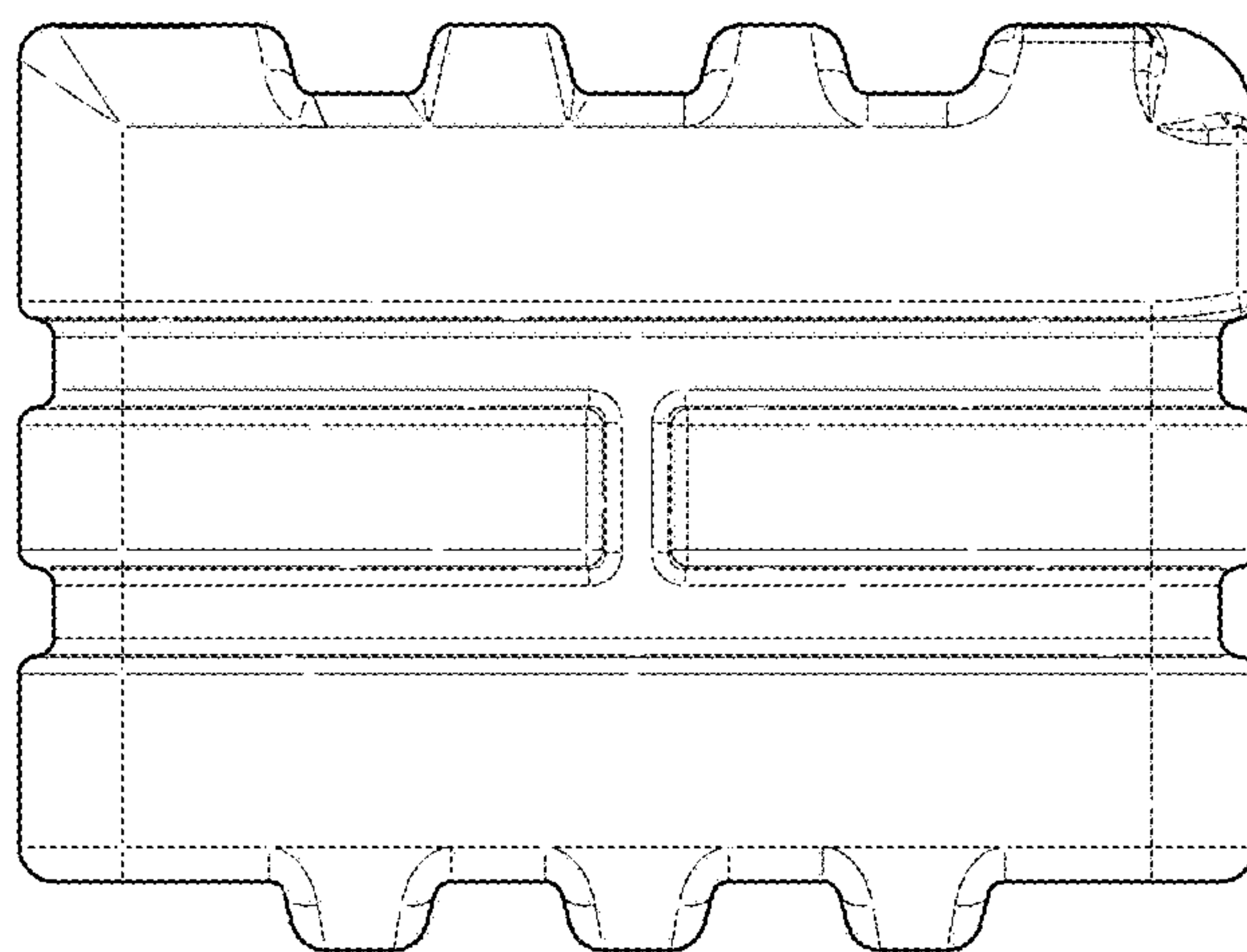
*FIG. 5*



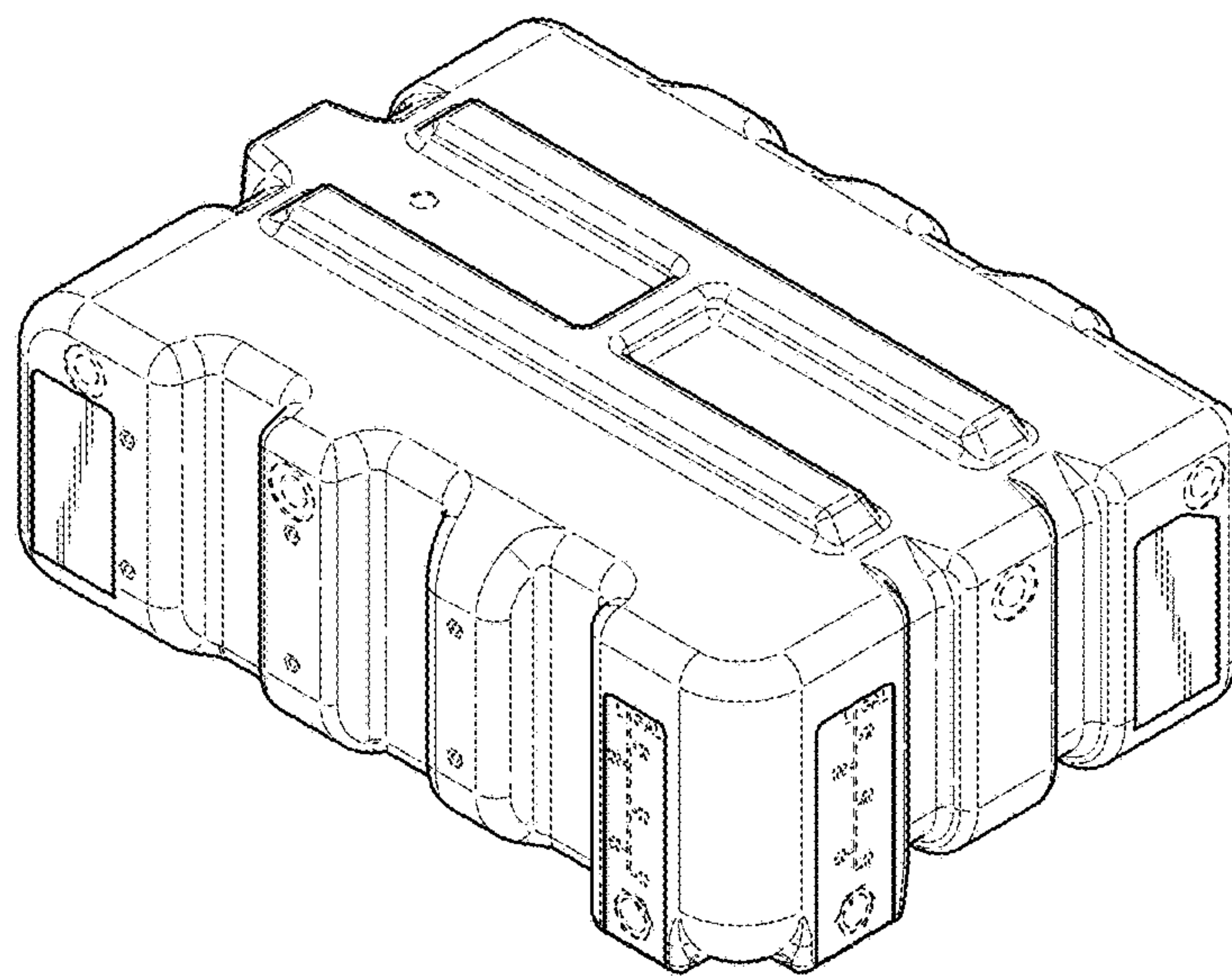
*FIG. 6*



*FIG. 7*

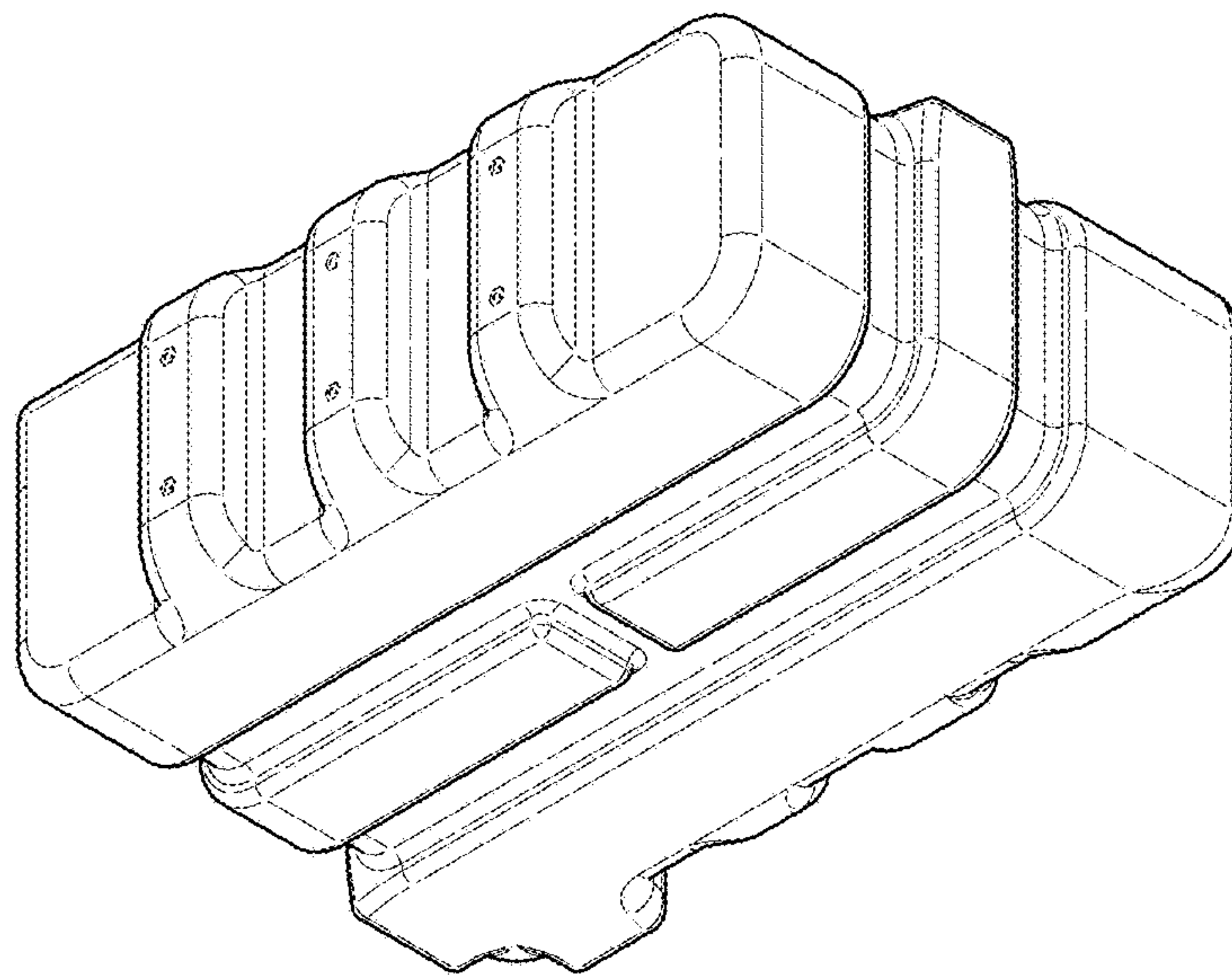


*FIG. 8*

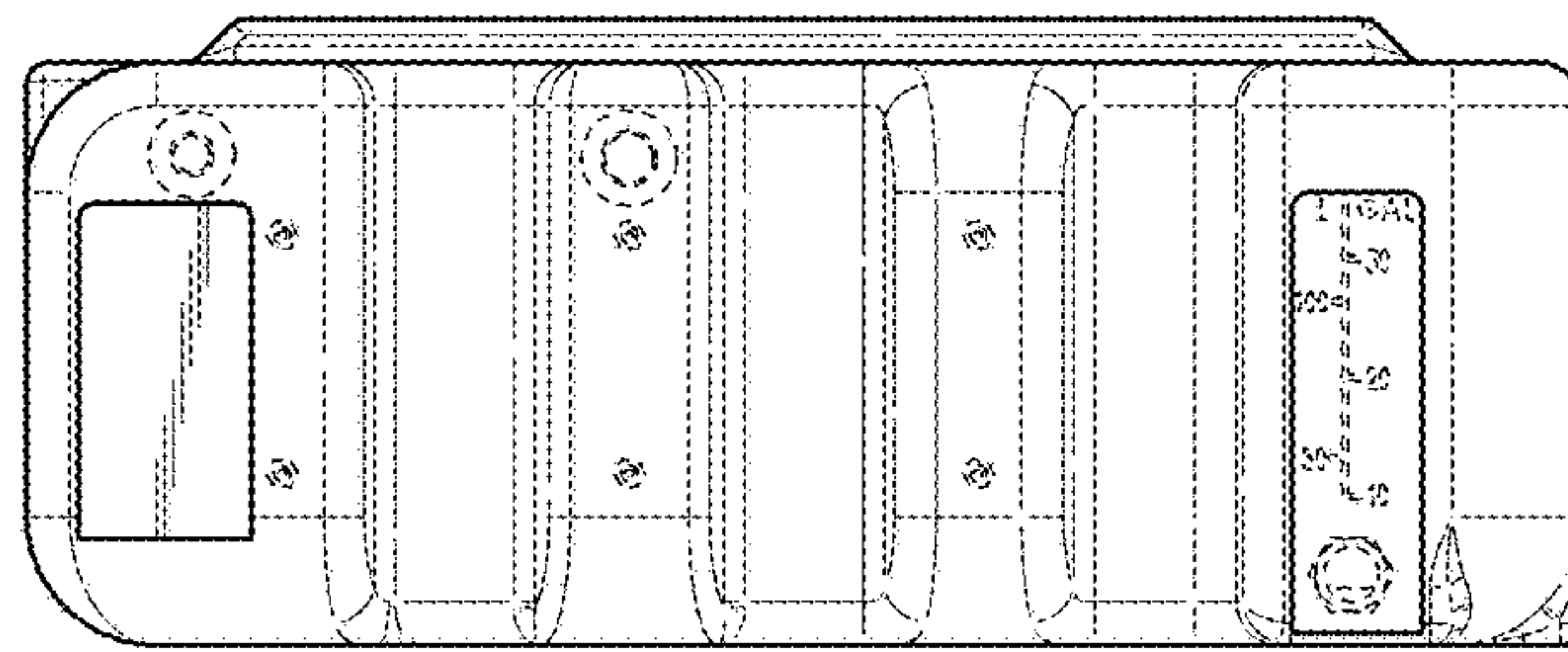


*FIG. 9*

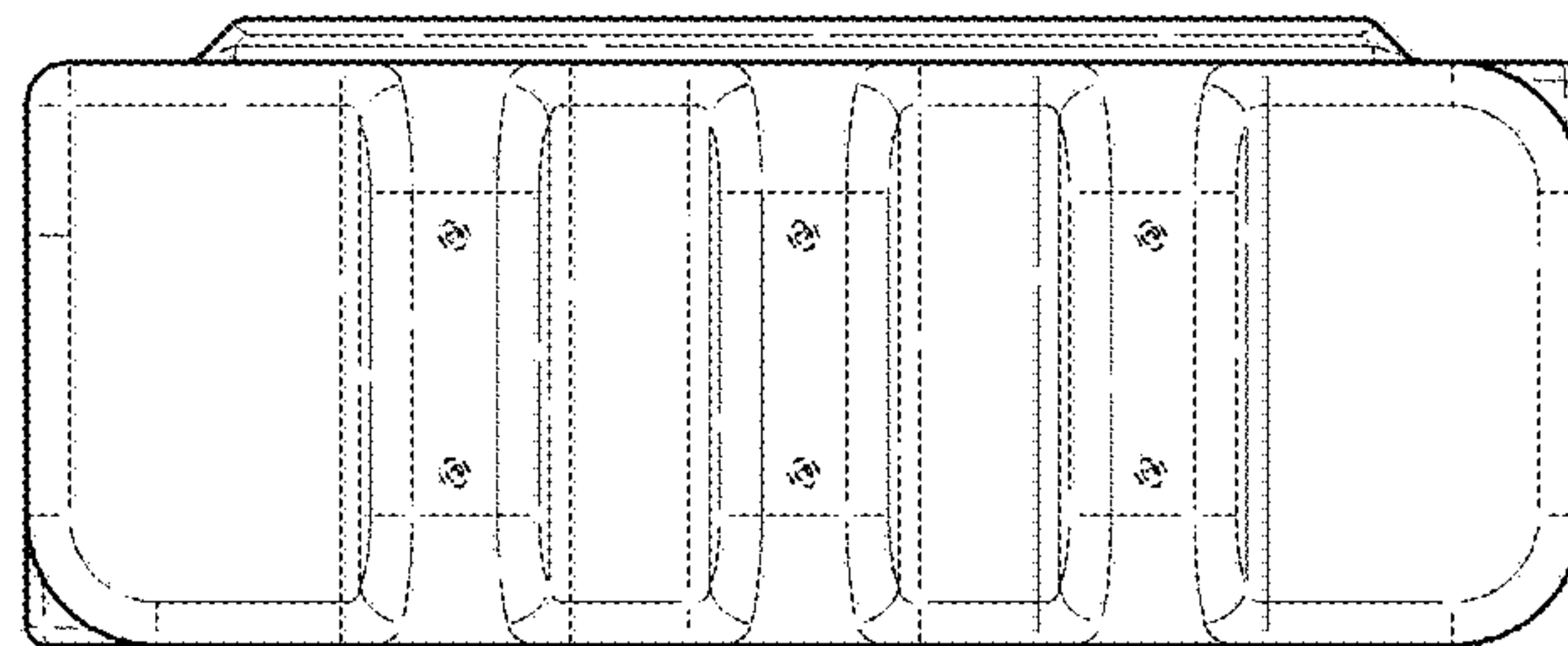




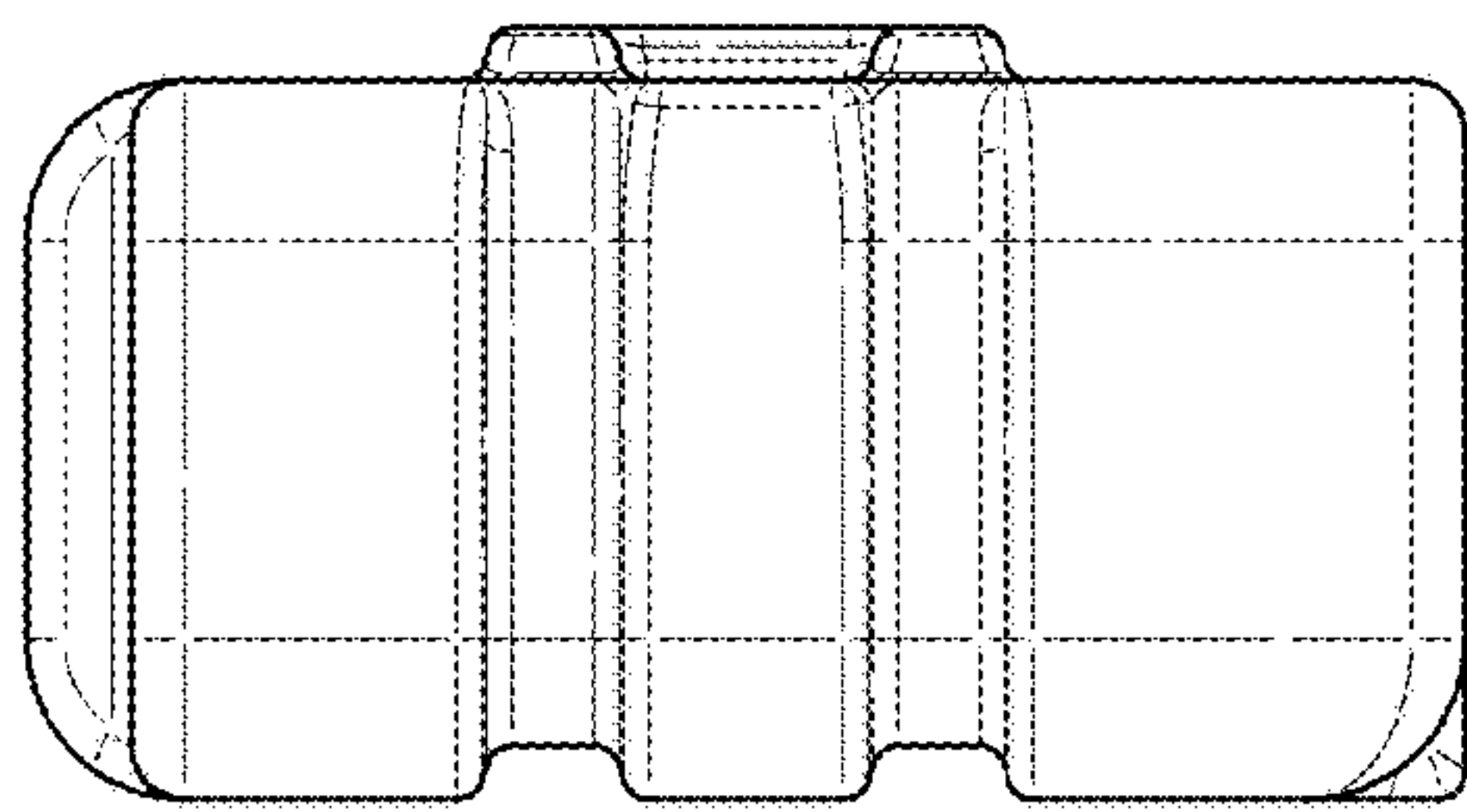
*FIG. 10*



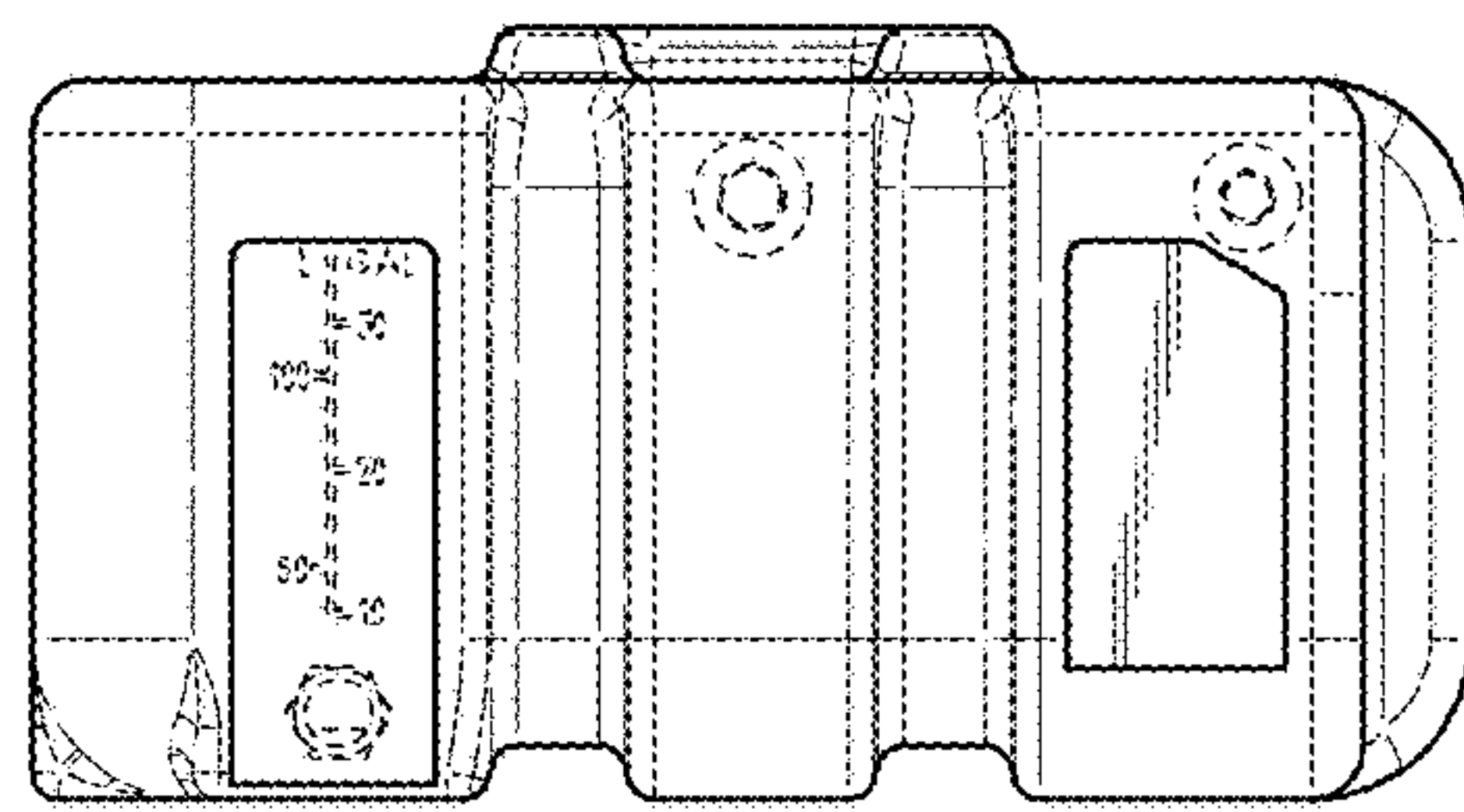
*FIG. 11*



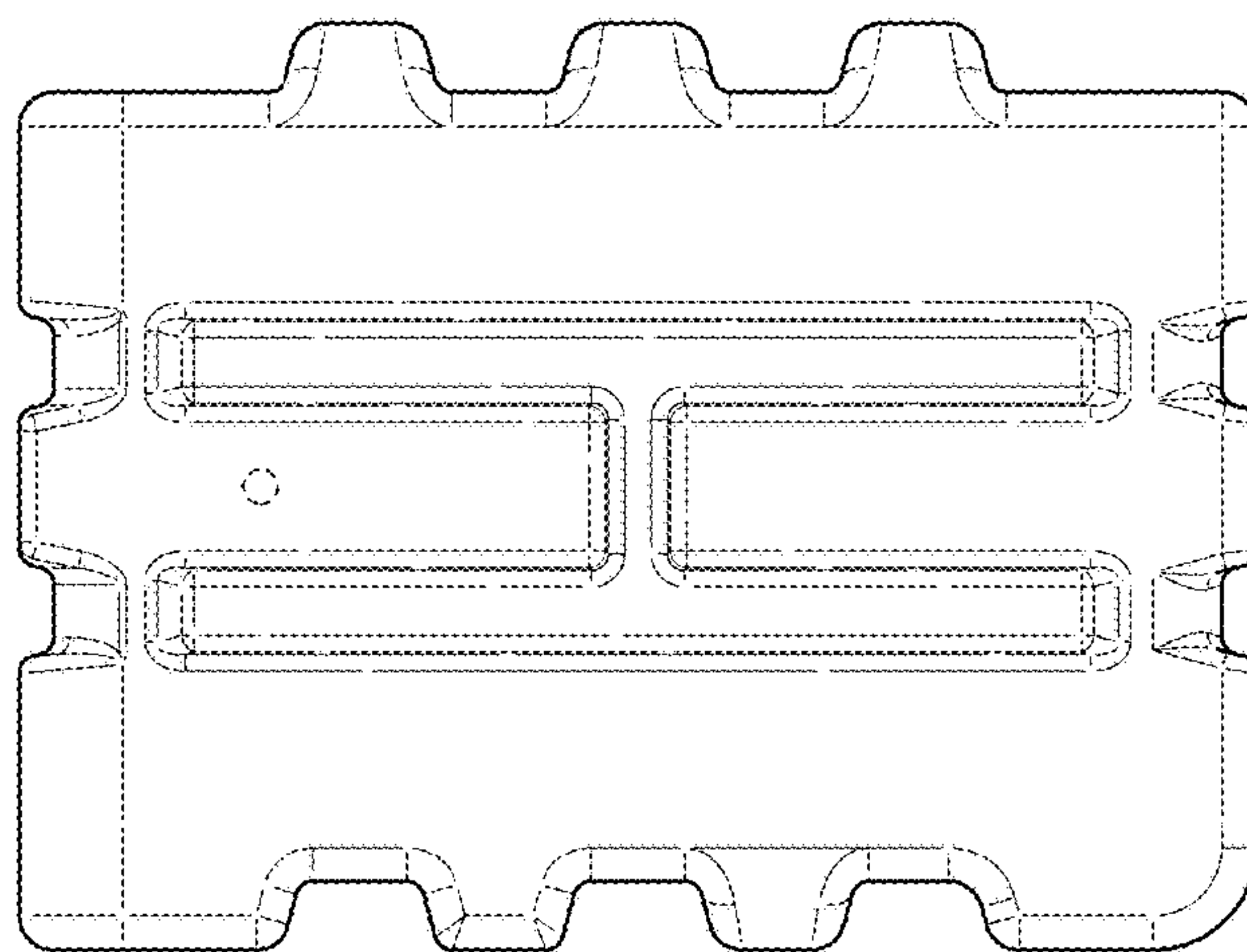
*FIG. 12*



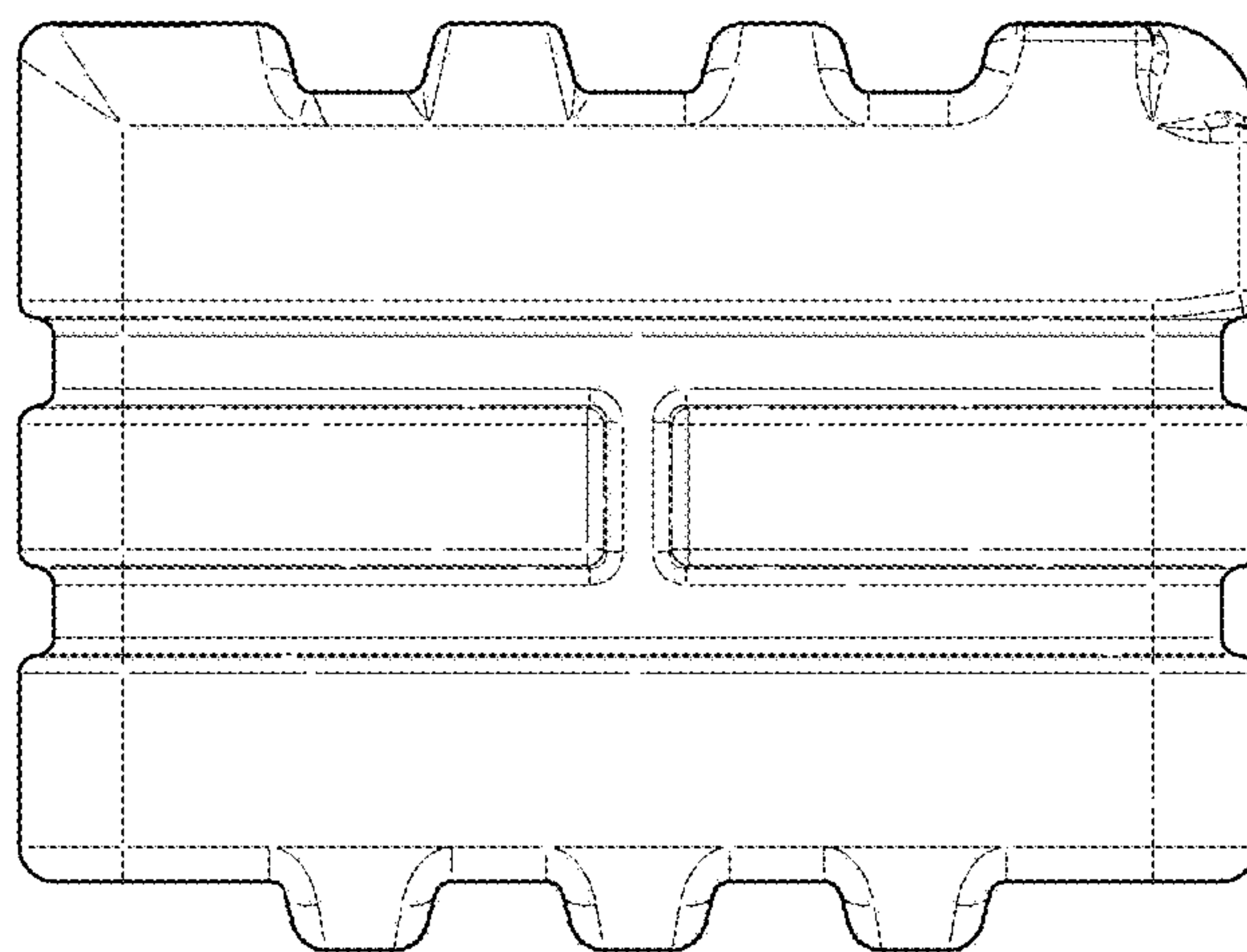
*FIG. 13*



*FIG. 14*



*FIG. 15*



*FIG. 16*