



US00D855092S

(12) **United States Design Patent**  
**Shu et al.**

(10) **Patent No.:** **US D855,092 S**

(45) **Date of Patent:** **\*\* Jul. 30, 2019**

- (54) **WELDING MACHINE**
- (71) Applicant: **SHANGHAI HUGONG ELECTRIC (GROUP) CO., LTD.**, Shanghai (CN)
- (72) Inventors: **Zhenyu Shu**, Shanghai (CN); **Zhiqiang Li**, Shanghai (CN)
- (73) Assignee: **SHANGHAI HUGONG ELECTRIC (GROUP) CO., LTD.**, Shanghai (CN)
- (\*\*) Term: **15 Years**
- (21) Appl. No.: **29/633,131**
- (22) Filed: **Jan. 12, 2018**
- (51) **LOC (11) Cl.** ..... **15-09**
- (52) **U.S. Cl.**  
USPC ..... **D15/144**
- (58) **Field of Classification Search**  
USPC ..... D8/29.1, 30; D13/101, 109, 110, 112, D13/116, 122, 123, 133, 144, 184; D15/144, 144.1, 144.2, 145, 146  
CPC ... B23K 9/00; B29C 65/1432; B29C 65/1467; B29C 65/4815; B29C 65/5042; B29C 65/5092; B26C 66/1142; B26C 66/43; B26C 66/435; B26C 66/73185; B26C 66/73921  
See application file for complete search history.

(56) **References Cited**  
U.S. PATENT DOCUMENTS

D243,459 S *	2/1977	Bliss	.....	D15/144
D309,597 S *	7/1990	Higuchi	.....	D13/116
D357,927 S *	5/1995	Soderholm	.....	D15/144.1
D416,030 S *	11/1999	Weller	.....	D15/144.1
6,046,664 A *	4/2000	Weller	.....	B23K 9/1006 336/182
D488,442 S *	4/2004	Fan	.....	D13/112
D518,078 S *	3/2006	Persson	.....	D15/144.1
D520,038 S *	5/2006	Ljungfeldt	.....	D15/144.1

D620,886 S *	8/2010	Flattinger	.....	D13/110
D626,576 S *	11/2010	Gramatyka	.....	D15/144
D630,581 S *	1/2011	Xu	.....	D13/116
D654,519 S *	2/2012	Wujczak	.....	D15/144
D665,833 S *	8/2012	Raymond	.....	D15/144
D679,738 S *	4/2013	Segala	.....	D15/144
D682,646 S *	5/2013	Knopp	.....	D8/61
D710,301 S *	8/2014	Ferro	.....	D13/116
D711,319 S *	8/2014	Wilcox	.....	D13/116
D744,019 S *	11/2015	Evans	.....	D15/144
D754,626 S *	4/2016	Evans	.....	D15/144
D762,165 S *	7/2016	Rowe	.....	D13/103
D768,625 S *	10/2016	Lucaci	.....	D14/349
D775,250 S *	12/2016	Snead	.....	D15/144
D777,216 S *	1/2017	Allemeier	.....	D15/28
D779,454 S *	2/2017	Crescenze	.....	D14/144
D793,338 S *	8/2017	Zheng	.....	D13/102
D810,161 S *	2/2018	Snead	.....	D15/144
D811,456 S *	2/2018	Dekker	.....	D15/144

(Continued)

*Primary Examiner* — Garth Rademaker  
*Assistant Examiner* — Fitzgerald L Butac  
 (74) *Attorney, Agent, or Firm* — Nixon & Vanderhye P.C.

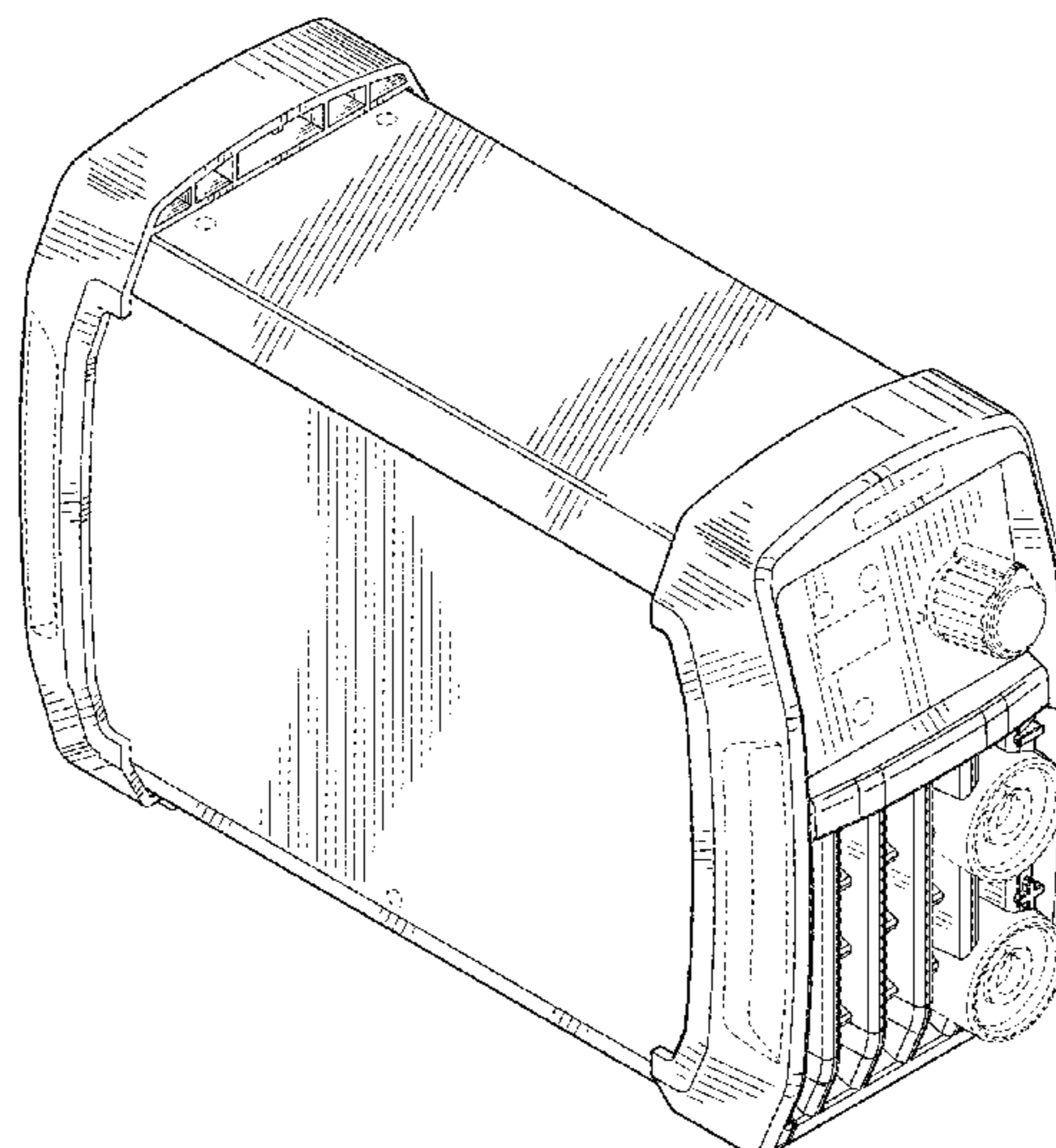
(57) **CLAIM**

The ornamental design for a welding machine, as shown and described.

**DESCRIPTION**

FIG. 1 is a perspective view of the design for the welding machine;  
 FIG. 2 is a front view thereof;  
 FIG. 3 is a rear view thereof;  
 FIG. 4 is a left view thereof;  
 FIG. 5 is a right view thereof;  
 FIG. 6 is a top view thereof; and,  
 FIG. 7 is a bottom view thereof.  
 The broken lines are for the purposes of illustrating portions of the welding machine and form no part of the claimed design.

**1 Claim, 7 Drawing Sheets**



(56)

**References Cited**

U.S. PATENT DOCUMENTS

D812,119	S	*	3/2018	Dekker	.....	D15/144
D813,161	S	*	3/2018	Ortakales	.....	D13/110
D815,039	S	*	4/2018	Wen	.....	D13/110
D820,332	S	*	6/2018	Brusky	.....	D15/144
D821,463	S	*	6/2018	Lin	.....	D15/144
D821,465	S	*	6/2018	Lin	.....	D15/144
D821,466	S	*	6/2018	Lin	.....	D15/144
D823,797	S	*	7/2018	Krantz	.....	D13/110
D827,687	S	*	9/2018	Lin	.....	D15/144
D827,688	S	*	9/2018	Lin	.....	D15/144
D829,788	S	*	10/2018	Lin	.....	D15/144

\* cited by examiner

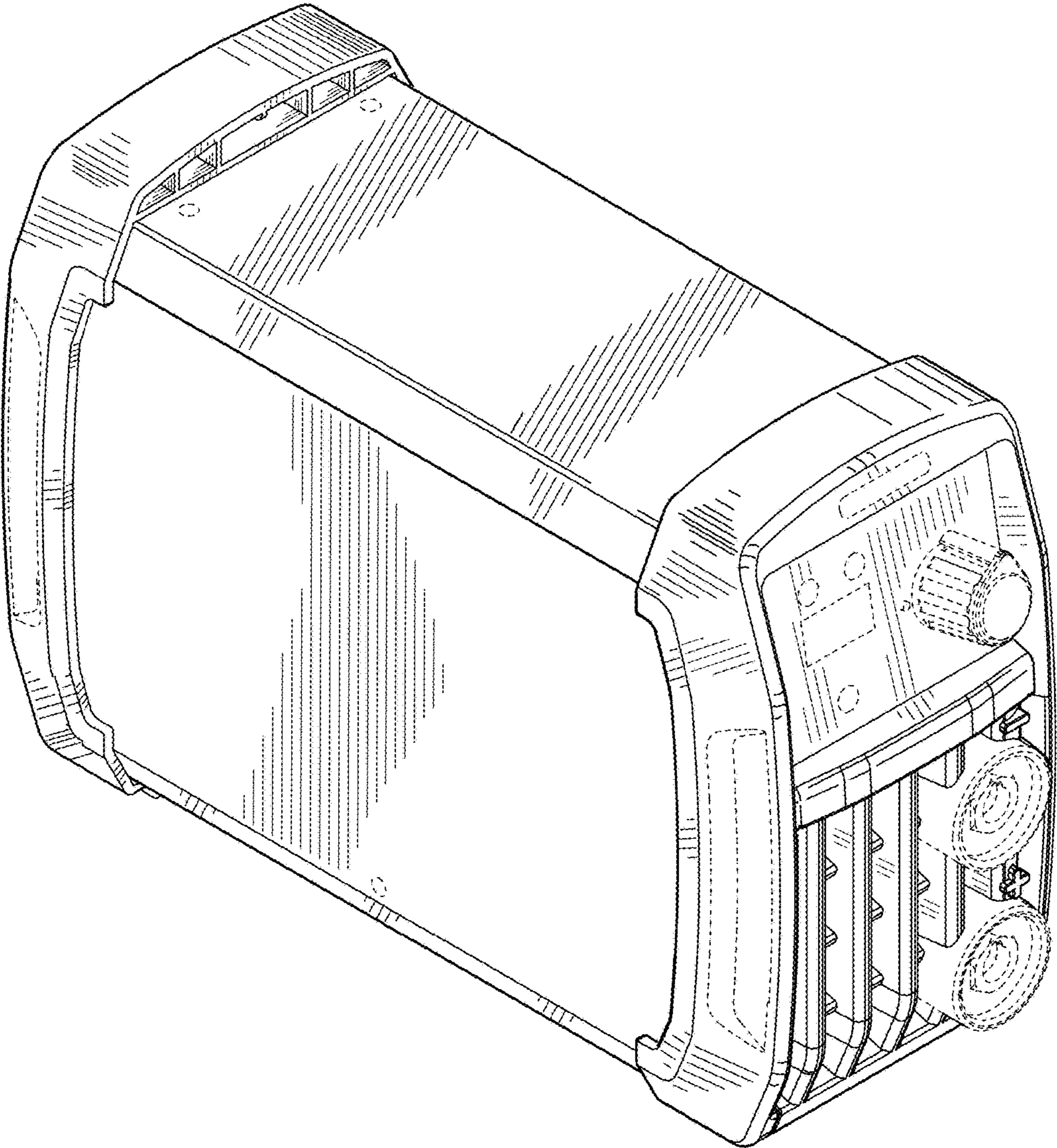


FIG. 1

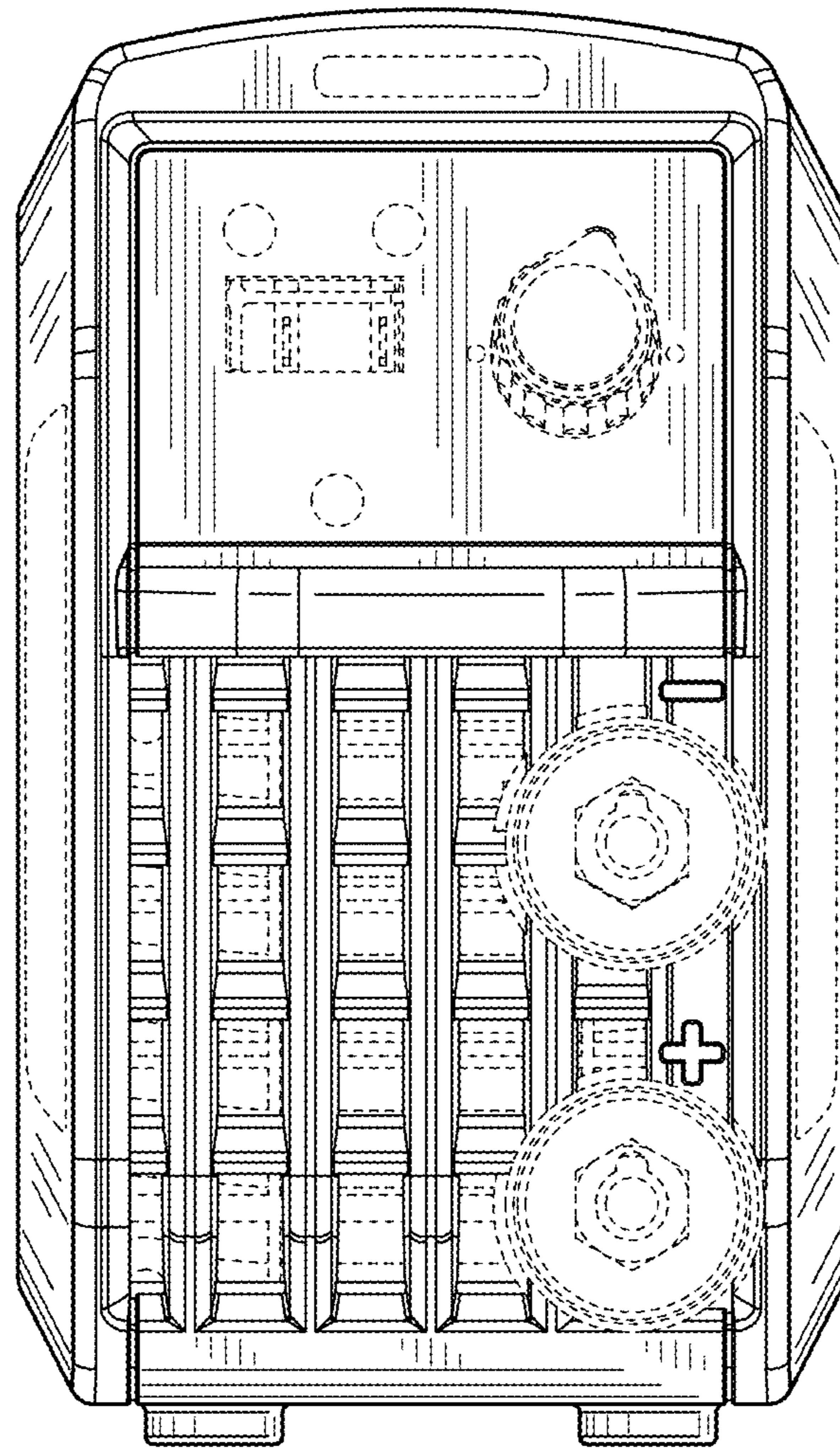


FIG. 2

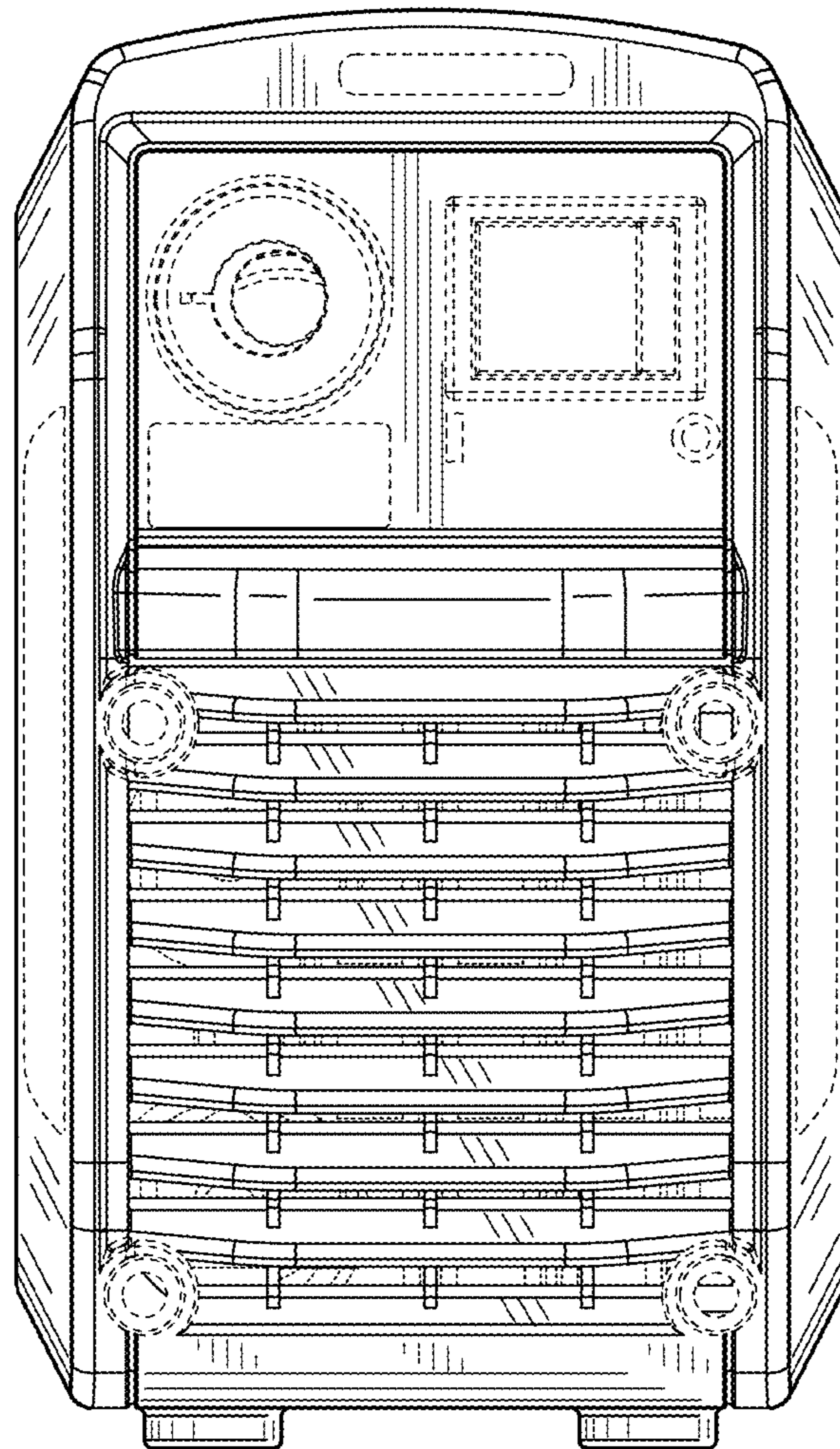


FIG. 3

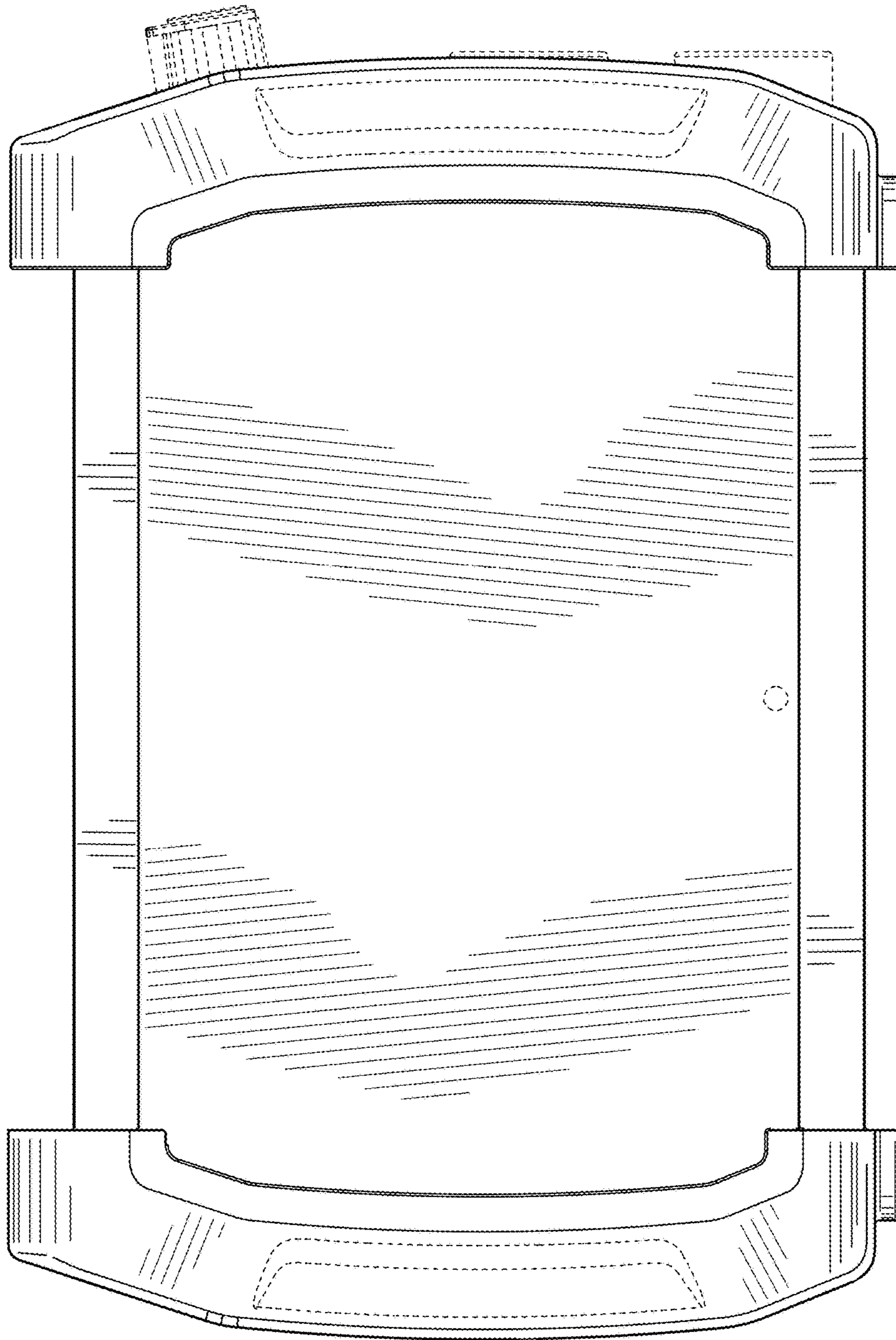


FIG. 4

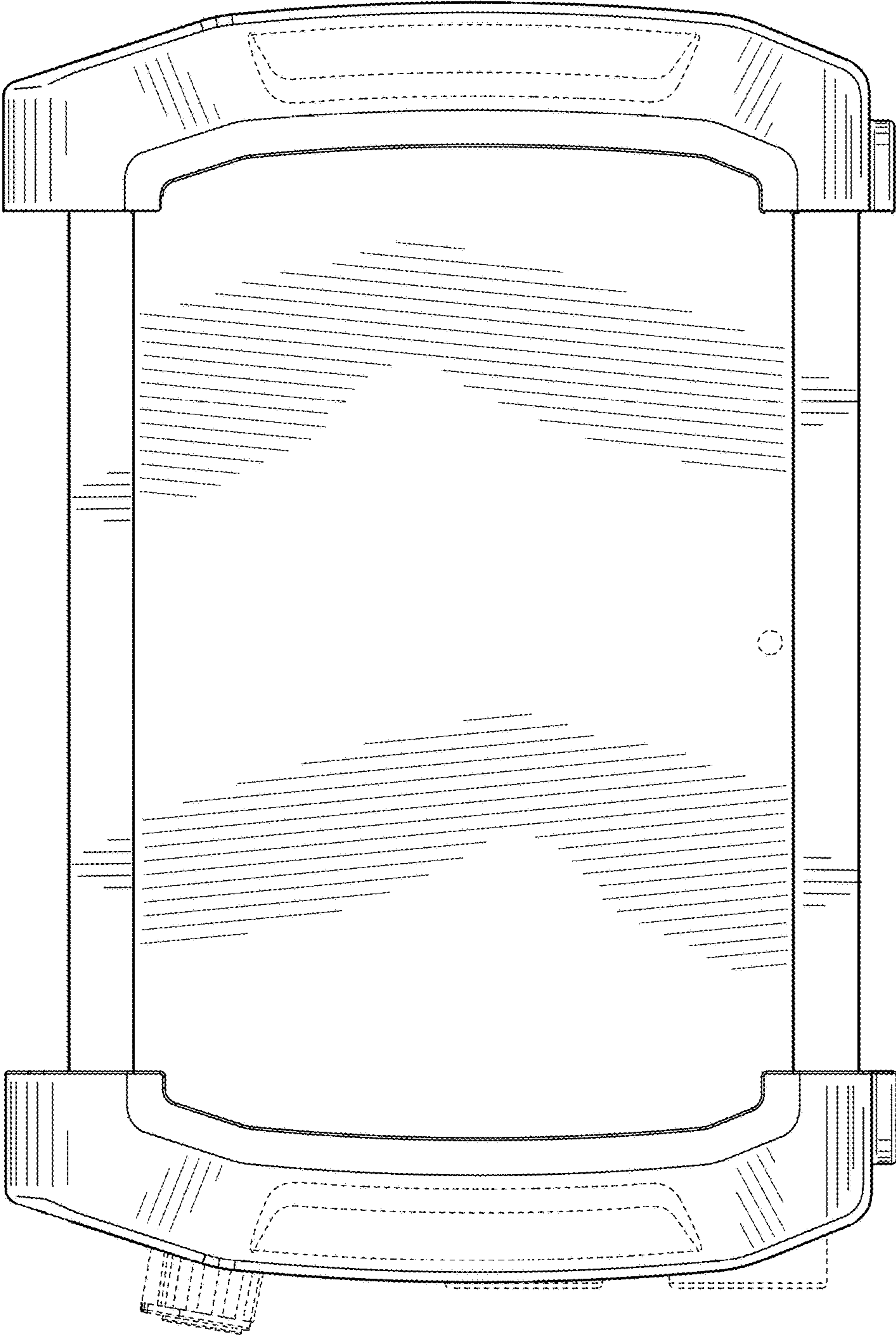


FIG. 5

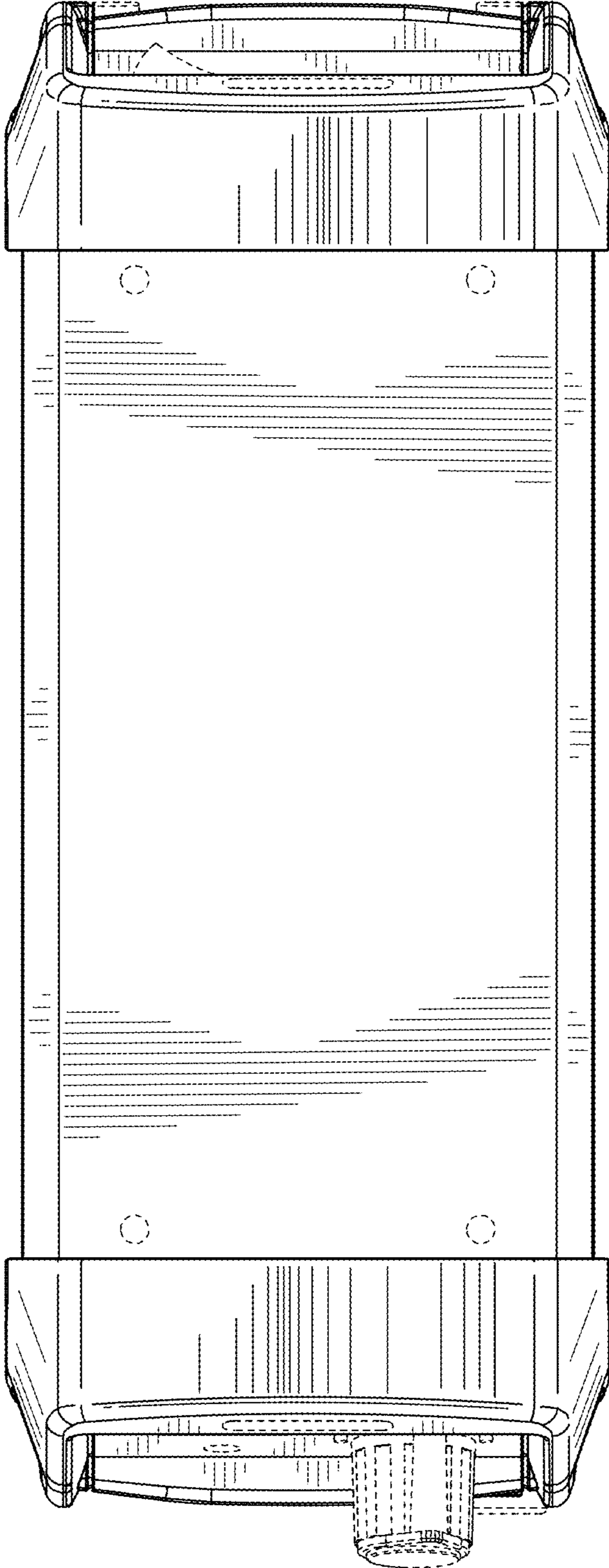


FIG. 6



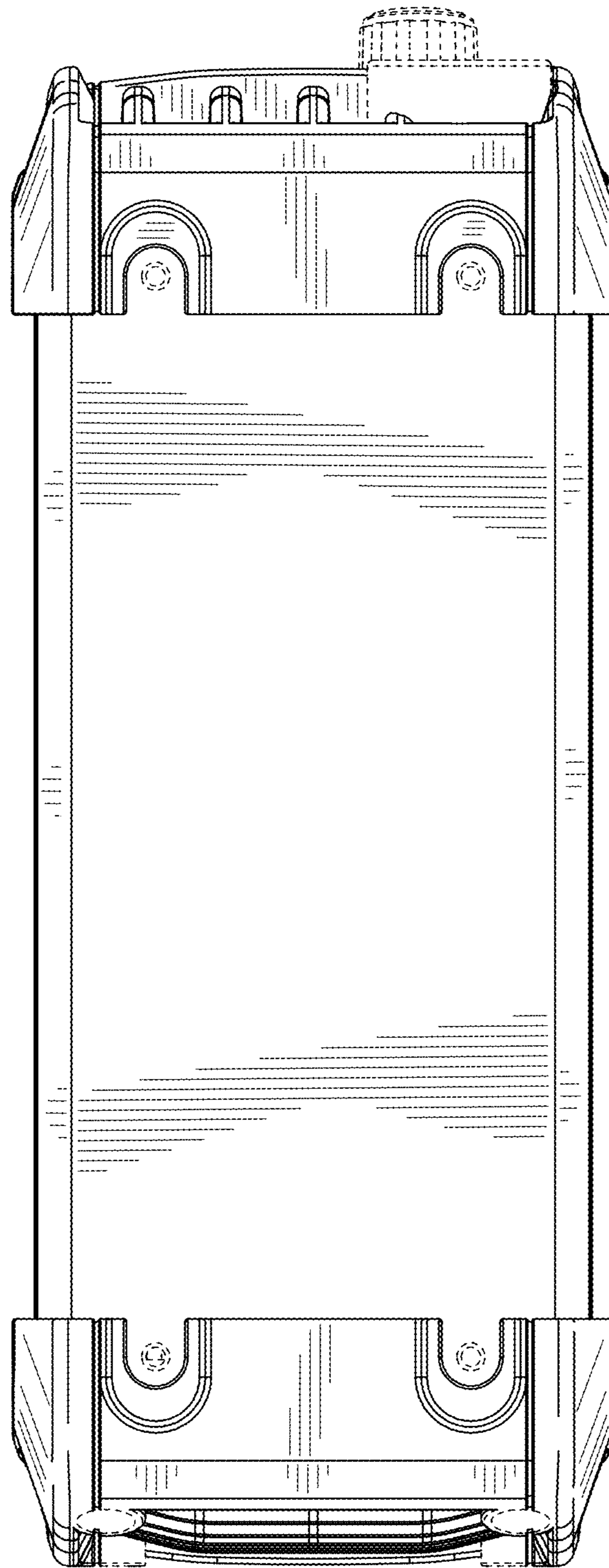


FIG. 7