



US00D855089S

(12) **United States Design Patent**
Hopkins

(10) **Patent No.:** **US D855,089 S**

(45) **Date of Patent:** **** Jul. 30, 2019**

(54) **MIXER ASSEMBLY**

(71) Applicant: **Ryan R. Hopkins**, Reno, NV (US)

(72) Inventor: **Ryan R. Hopkins**, Reno, NV (US)

(73) Assignee: **Moldman Systems LLC**, Reno, NV (US)

(**) Term: **15 Years**

(21) Appl. No.: **29/556,358**

(22) Filed: **Feb. 29, 2016**

(51) **LOC (11) Cl.** **15-09**

(52) **U.S. Cl.**
USPC **D15/138**; D15/135; D15/136

(58) **Field of Classification Search**
USPC D7/387, 397, 398, 589; D8/29, 29.1, D8/29.2, 30; D15/122, 135, 136, 138, D15/144, 144.1, 144.2, 150, 199; D18/14, 19, 36, 37, 38, 39, 40, 41, 54.1, D18/56, 99; D24/112, 130, 224
CPC B01F 2005/0629; B01F 2005/0635; B01F 5/06; B01F 5/0615
See application file for complete search history.

(56) **References Cited**

U.S. PATENT DOCUMENTS

- D332,556 S * 1/1993 Snider D8/14.1
- D348,593 S * 7/1994 Fortune D8/29.1
- D368,838 S * 4/1996 Paklaian D24/114
- D373,827 S * 9/1996 Polaniec D24/112
- D374,076 S * 9/1996 Hillstead D24/112
- D384,418 S * 9/1997 Torti D24/222
- D384,743 S * 10/1997 Chia D24/133
- D386,260 S * 11/1997 Polaniec D24/112
- D492,709 S * 7/2004 Homer-Richardson D15/144
- D499,620 S * 12/2004 Homer-Richardson D8/30
- D504,142 S * 4/2005 Homer-Richardson D15/144

- D541,125 S * 4/2007 Gaudron D8/71
- D555,682 S * 11/2007 Foster D15/138
- D559,470 S * 1/2008 Stevens D30/121

(Continued)

FOREIGN PATENT DOCUMENTS

- DE 102007044983 A1 * 4/2009 A61C 9/0026
- WO WO 98/24722 A2 6/1998

(Continued)

Primary Examiner — Garth Rademaker

Assistant Examiner — Fritzgerald L Butac

(74) *Attorney, Agent, or Firm* — Reinhart Boerner Van Deuren P.C.

(57) **CLAIM**

I claim the ornamental design for a mixer assembly, as shown and described.

DESCRIPTION

FIG. 1 is a perspective view of a first embodiment of the mixer assembly;
 FIG. 2 is a perspective view of the mixer assembly of FIG. 1;
 FIG. 3 is a rear view of the mixer assembly of FIG. 1;
 FIG. 4 is a top view of the mixer assembly of FIG. 1;
 FIG. 5 is a bottom view of the mixer assembly of FIG. 1;
 FIG. 6 is a side view of the mixer assembly of FIG. 1;
 FIG. 7 is a side view of the mixer assembly of FIG. 1 showing the side opposite that shown in FIG. 6; and,
 FIG. 8 is a front view of the mixer assembly of FIG. 1.
 The broken lines show portions of a mixer assembly that form no part of the claimed design. The dash-dot broken lines in FIGS. 1 and 3 define the bounds of the claimed design and form no part thereof. The dashed lines show environmental structure and form no part of the claimed design.
 FIGS. 1, 2 and 4-7 show the mixer assembly with a symbolic break in its length. Any portion of the article between the break lines forms no part of the claimed design.

1 Claim, 2 Drawing Sheets



(56)

References Cited

U.S. PATENT DOCUMENTS

D595,990 S * 7/2009 Rothberg D7/300.2
 D605,671 S * 12/2009 Nitzl D15/135
 D625,162 S * 10/2010 Orlitzky D15/150
 D694,788 S * 12/2013 Carper D15/128
 D711,444 S * 8/2014 Sallstrom D15/144.2
 D731,730 S * 6/2015 Wattenbarger D34/2
 D731,731 S * 6/2015 Wattenbarger D34/2
 D736,285 S * 8/2015 Hassan D15/144
 D744,560 S * 12/2015 Hassan D15/144
 D752,123 S * 3/2016 Liao D15/150
 D763,336 S * 8/2016 Ries D15/199
 D763,339 S * 8/2016 Ries D15/199
 D790,057 S * 6/2017 Ashman-Stauss D24/130
 D790,688 S * 6/2017 Choi D24/114
 D794,184 S * 8/2017 Smith D24/129
 D795,420 S * 8/2017 Rimsa D24/113
 D796,670 S * 9/2017 Dolk D24/130
 D797,171 S * 9/2017 Alfaro D15/144
 D797,172 S * 9/2017 Alfaro D15/144
 D805,863 S * 12/2017 Alho D8/14
 D813,941 S * 3/2018 Bertolin D18/56
 2005/0017412 A1 1/2005 Maier et al.
 2014/0196807 A1 7/2014 Ikeda
 2017/0144187 A1* 5/2017 Springhorn B01F 5/0612
 2018/0056251 A1* 3/2018 Hopkins B01F 5/0615

FOREIGN PATENT DOCUMENTS

WO WO 2007/045529 A1 4/2007
 WO WO 2014/066005 A1 5/2014
 WO WO-2017151433 A1 * 9/2017 B01F 5/00

* cited by examiner

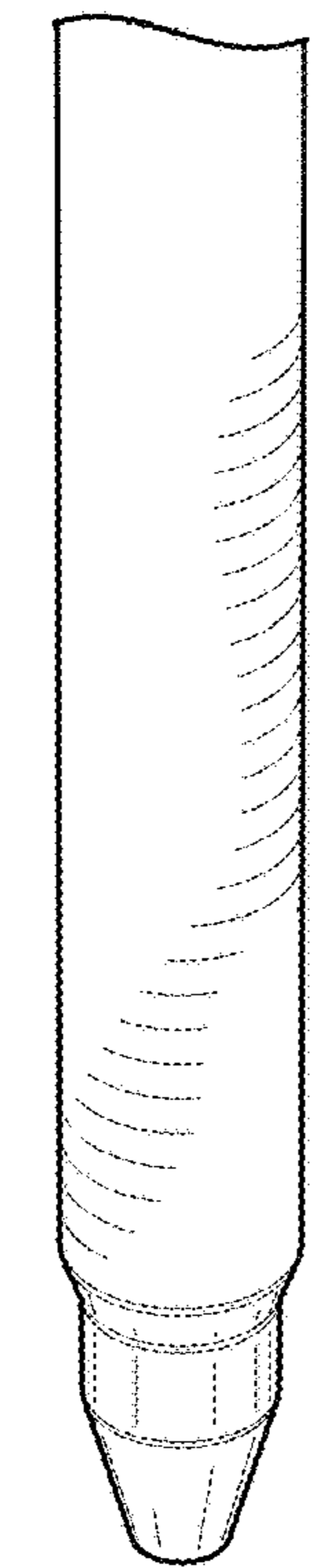
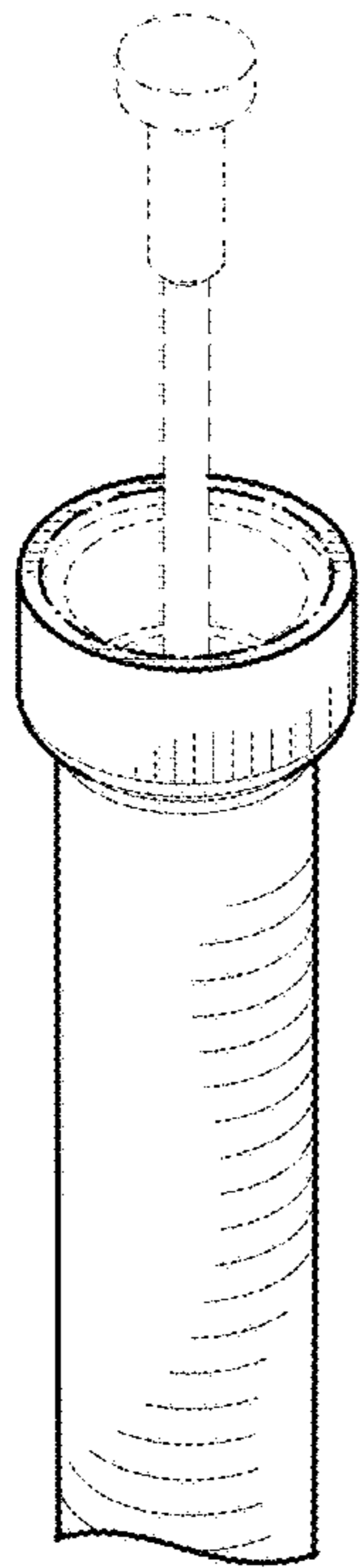


FIG. 1

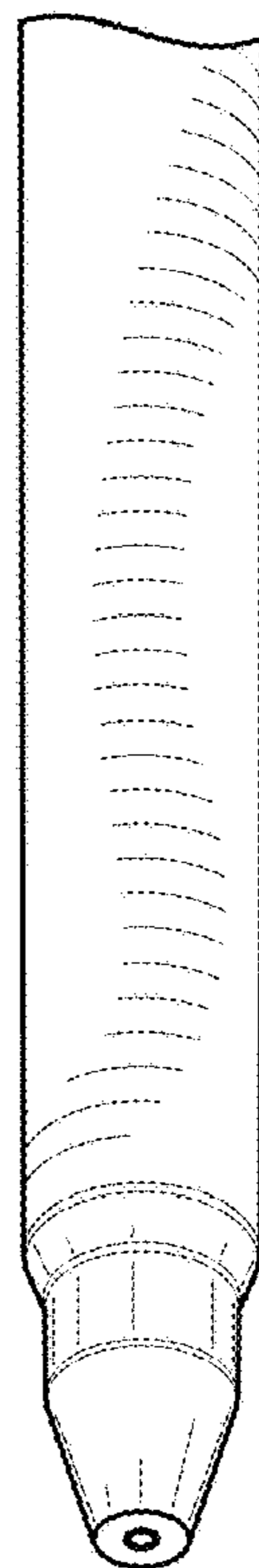
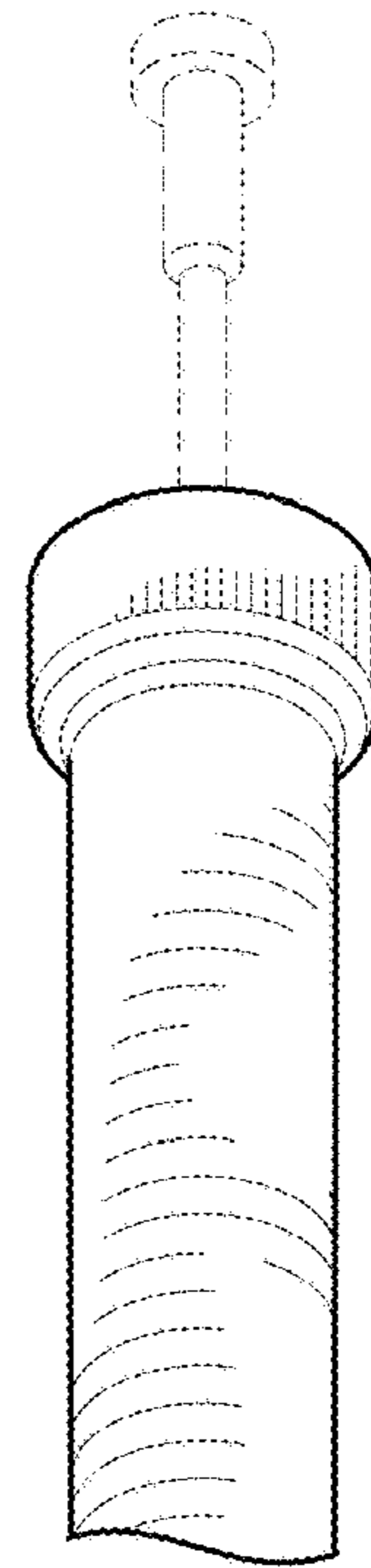


FIG. 2

FIG. 3

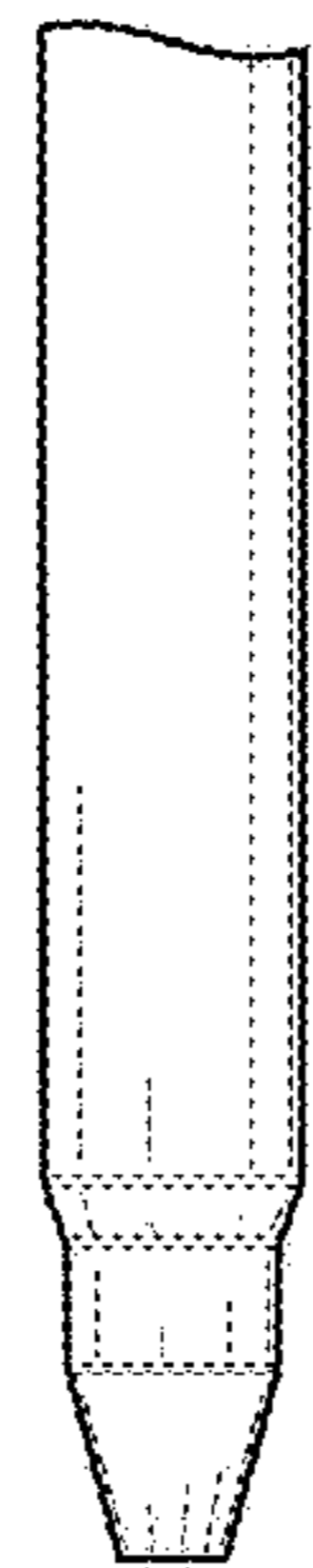
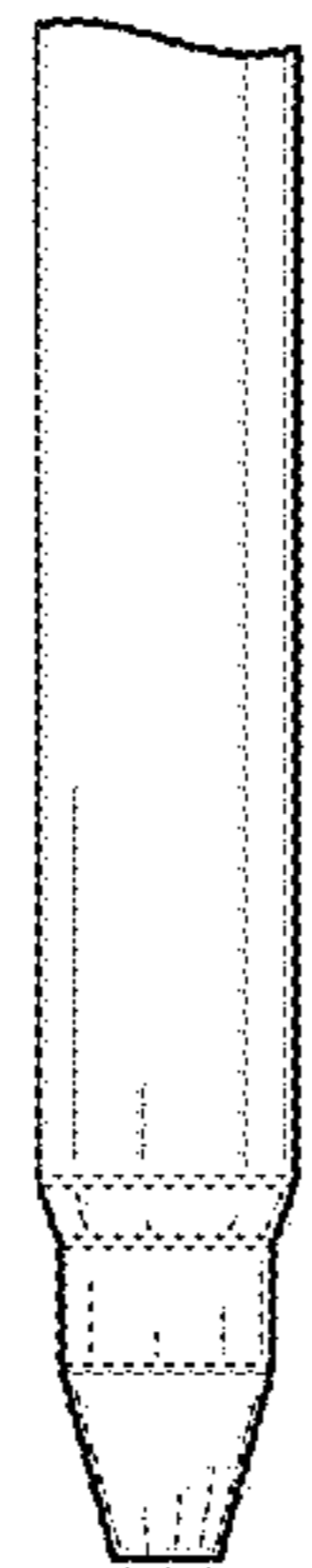
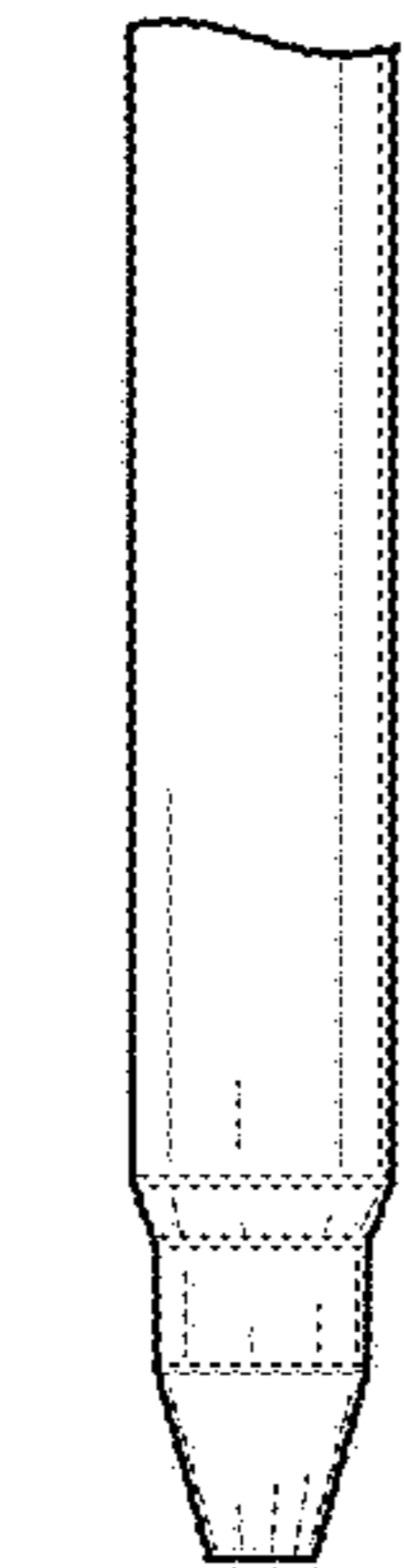
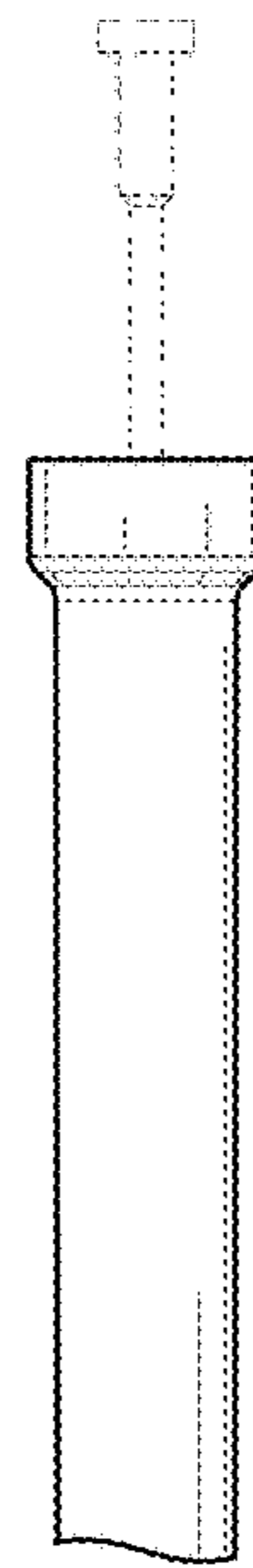
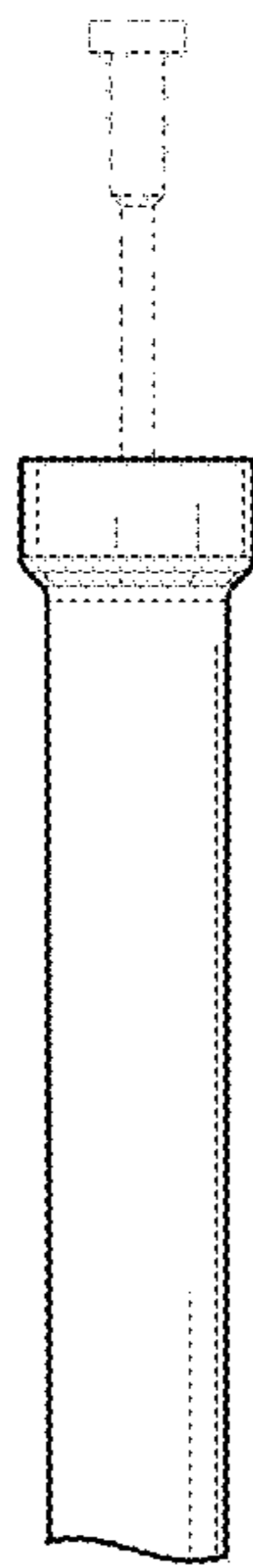
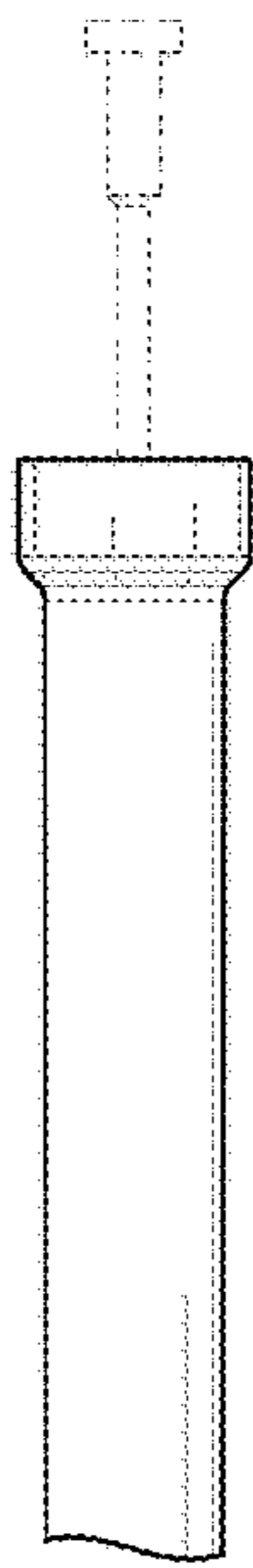
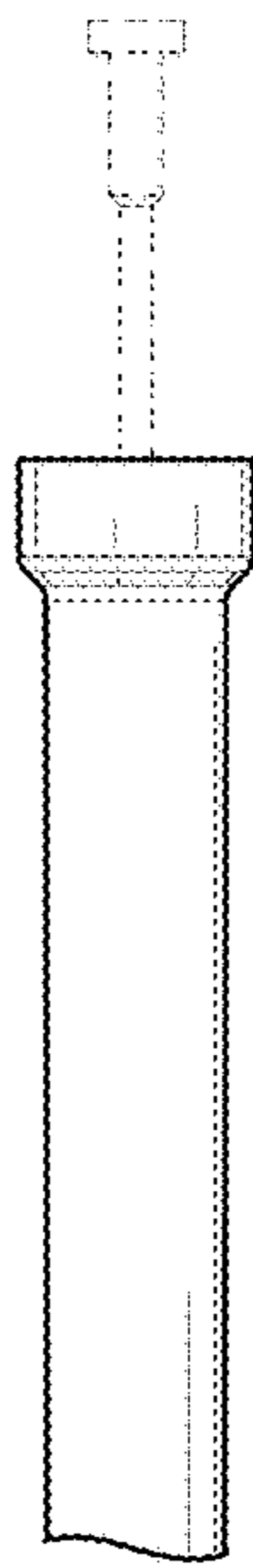
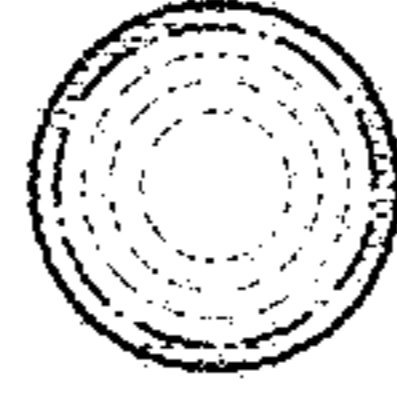


FIG. 4

FIG. 5

FIG. 6

FIG. 7

FIG. 8

