



US00D855084S

(12) **United States Design Patent** (10) **Patent No.:** **US D855,084 S**
Warren et al. (45) **Date of Patent:** **** Jul. 30, 2019**

(54) **UTILITY VEHICLE**
(71) Applicant: **The Toro Company**, Bloomington, MN (US)

D655,317 S * 3/2012 Hagele D15/31
D655,318 S * 3/2012 Hagele D15/31
D661,323 S * 6/2012 Krogh D15/31

(Continued)

(72) Inventors: **Richard Charles Warren**, Woodbury, MN (US); **Brandon John Anderson**, Savage, MN (US); **Philip Charles Dretzka**, Woodbury, MN (US)

OTHER PUBLICATIONS

“Antonio Carraro Product Catalog,” retrieved from <<http://www.antonio carraro.it/en/catalogue>> on Jan. 21, 2018 (8 pages).

(Continued)

(73) Assignee: **The Toro Company**, Bloomington, MN (US)

Primary Examiner — Mark A Goodwin

(74) *Attorney, Agent, or Firm* — Pauly, DeVries Smith & Deffner LLC

(**) Term: **15 Years**

(57) **CLAIM**

(21) Appl. No.: **29/633,017**

The ornamental design for a utility vehicle, as shown and described.

(22) Filed: **Jan. 11, 2018**

DESCRIPTION

(51) **LOC (11) Cl.** **15-03**

(52) **U.S. Cl.**
USPC **D15/31**

(58) **Field of Classification Search**
USPC D15/10, 11, 13–17, 28, 22–26, 30, 31;
D12/173; 56/13.3, 13.4, 15.8, 15.9,
56/320.1; 180/89.1, 89.12, 900, 69.2,
180/68.1, 69.1
CPC B62D 49/00–085; B62D 25/10;
B62D 25/00; B60R 19/52; B60R 21/38
See application file for complete search history.

FIG. 1 is a right front perspective view of a utility vehicle in accordance with the claimed design, showing the driver’s side of the utility vehicle.

FIG. 2 is a left front perspective view of the utility vehicle of FIG. 1.

FIG. 3 is a front view of the utility vehicle of FIG. 1.

FIG. 4 is a right side view of the utility vehicle of FIG. 1.

FIG. 5 is a left side view of the utility vehicle of FIG. 1.

FIG. 6 is a top view of the utility vehicle of FIG. 1; and, FIG. 7 is a cross-sectional top view of the utility vehicle of FIG. 1, along line 7-7 in FIG. 4, where the canopy, dash console, divider console and steering assembly have been removed.

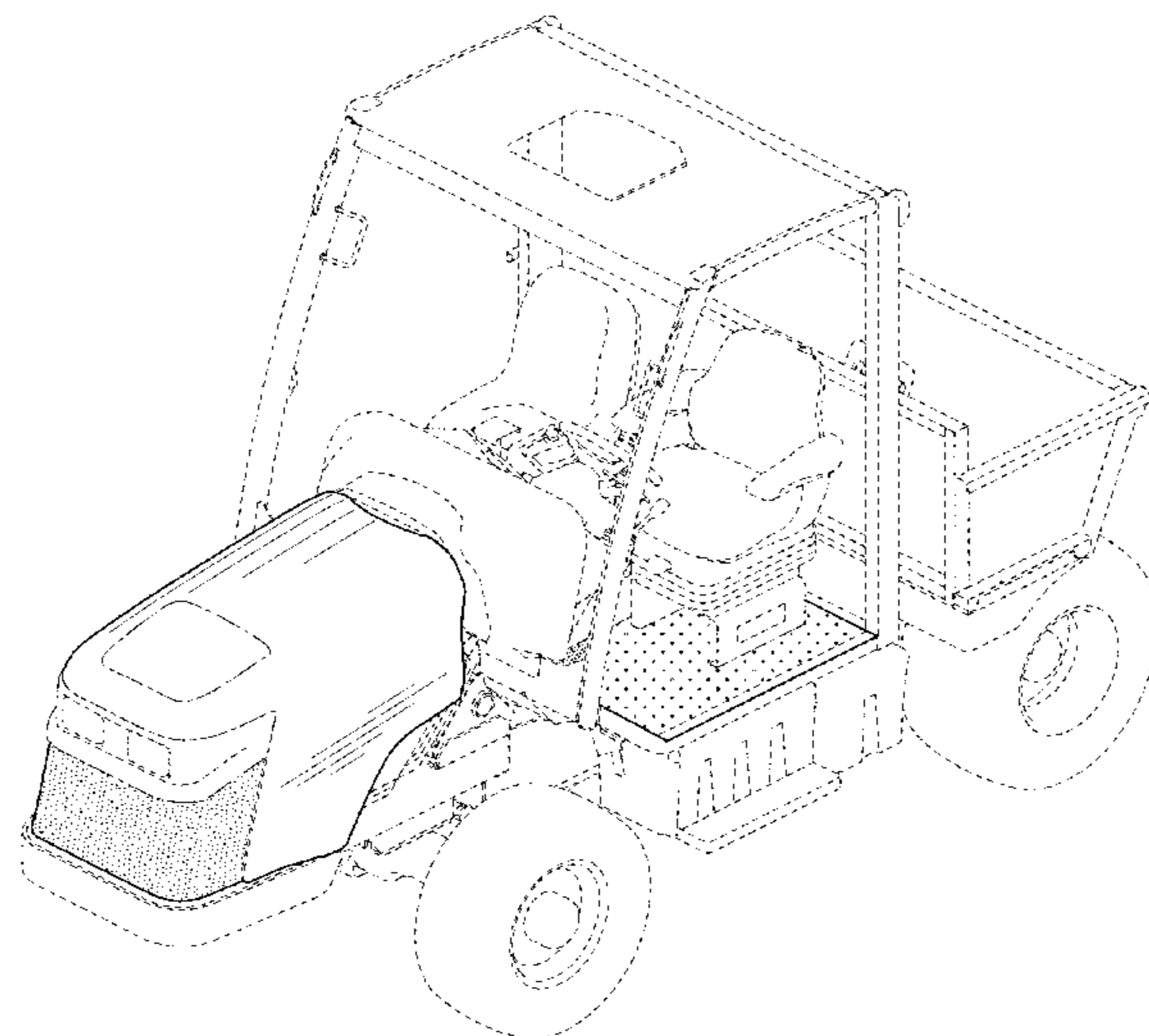
The dot-dash broken lines in the figures represent a boundary between claimed and unclaimed subject matter and form no part of the claimed design. The dashed broken lines in the figures form no part of the claimed design. The labels used herein to describe orientation (e.g. front, rear, left, right) are merely for reference and are not intended to limit the interpretation of the design.

(56) **References Cited**

U.S. PATENT DOCUMENTS

D521,532 S * 5/2006 Higashikawa D15/31
D533,882 S * 12/2006 Higashikawa D15/31
D591,777 S * 5/2009 Kokitkar D15/31
D620,503 S * 7/2010 Krogh D15/31
D620,955 S * 8/2010 Krogh D15/31
D631,489 S * 1/2011 Booth D15/31
D632,312 S * 2/2011 Booth D15/31
D646,305 S * 10/2011 Krogh D15/31

1 Claim, 7 Drawing Sheets



(56)

References Cited

U.S. PATENT DOCUMENTS

D668,695	S	*	10/2012	Ringer	D15/31
D675,233	S	*	1/2013	Kushita	D15/31
D676,466	S	*	2/2013	Ewringmann	D15/20
D706,841	S	*	6/2014	Shimomura	D15/31
D707,729	S	*	6/2014	Jackson	D15/31
D707,730	S	*	6/2014	Jackson	D15/31
D714,838	S	*	10/2014	Shimomura	D15/31
D716,348	S	*	10/2014	Ryan	D15/31
D716,846	S	*	11/2014	Carter	D15/31
D733,767	S	*	7/2015	Kushita	D15/31
D753,194	S	*	4/2016	Jackson	D15/31
D765,740	S	*	9/2016	Jackson	D15/31
D766,340	S	*	9/2016	Jackson	D15/31
D766,341	S	*	9/2016	Jacobsthal	D15/31
D768,210	S	*	10/2016	Jacobsthal	D15/31
D777,219	S	*	1/2017	Hanke	D15/31
D777,220	S	*	1/2017	Powell	D15/31
D778,963	S	*	2/2017	Yang	D15/31
D785,681	S	*	5/2017	Okuyama	D15/31
D793,455	S	*	8/2017	Atterbury et al.		
D804,539	S	*	12/2017	Okuyama	D15/31

OTHER PUBLICATIONS

“Asv Scout SC-50 Tracked Utility Vehicle,” Product information and details (2007) (8 pages).

“Goldoni Product Catalog,” retrieved from <<http://www.goldoni.it/en/products/utility-vehicles/>> Jan. 27, 2018 (32 pages).

“John Deere 3 Series,” Compact Utility Tractors retrieved from <http://www.deere.com/en_INT/products/equipment/compact_utility_tractors/3_series/3_series.page> on Jan. 10, 2018 (2 pages).

“John Deere 4 Series,” Compact Utility Tractors retrieved from <http://www.deere.com/en_INT/products/equipment/compact_utility_tractors/4_series/4_series.page> on Jan. 10, 2018 (2 pages).

“John Deere Gator Turf Utility Vehicles,” product information retrieved from <<http://www.deere.com/en/gator-utility-vehicles/turf-gators>> Nov. 6, 2017 (6 pages).

“Kubota L Series Tractor,” retrieved from <<https://apps.kubotausa.com/configurator/BuildMyKubota.aspx?pgId=1&bmId=961&sid=125>> on Jan. 10, 2018 (1 page).

“Kubota Utility Vehicles,” retrieved from <<http://www.kubotausa.com/products/utility-vehicles/full-size-utility-vehicles>> on Jan. 10, 2018 (3 pages).

“Mahindra Shaan Tractor,” retrieved from <<https://www.pakwheels.com/forums/t/innovation-or-what-do-you-guys-think/30955>> Jan. 17, 2018 (8 pages).

Otterdahl, Dave “Vintage Tractor Once Starred in Arnold Palmer TV Commercials,” Minnesota Golf Association Jan. 29, 2014 retrieved from <http://www.mngolf.org/News/Vintage_Tractor_Once_Starred_in_Arnold_Palmer_TV_Commercials> Jan. 10, 2018 (2 pages).

“Smithco Golf Course Maintenance Equipment,” 2017 Catalog Smithco 34 West Avenue Wayne, PA (15 pages).

“Tigre the 15 Series,” Product Catalog by Antonio Carraro 2012 (16 pages).

“Tigrecar Tigrone Series,” Product Catalog by Antonio Carraro 2016 (16 pages).

“Tmajor Series,” Product Catalog by Antonio Carraro (5 pages).

“Toolcat Utility Work Machine,” Bobcat product description retrieved from <<http://www.bobcat.com/utility-products/toolcat/features>> on Jan. 17, 2018 (2 pages).

“Toro General Tractor,” Image retrieved from <http://www.mngolf.org/Res/Blue_2520Toro_2520Tractor_2520After.jpg> Jan. 10, 2018 (1 page).

“Toro General Tractor,” Modified with bench seat. retrieved from <http://farm6.static.flickr.com/5518/9173324493bce92e929f_b.jpg> on Jan. 10, 2018 (1 page).

“Toro General Tractor,” Modified with two individual seats. Submitted by user Gregp on May 23, 2011 on MyTractorForum.com. Retrieved from <<http://www.mytractorforum.com/13-toro-wheelhorse-forum/125623-toro-general-golf-tractor.html>> on Jan. 10, 2018 (5 pages).

“Toro Workman Series Utility Vehicles,” product description retrieved from <<https://www.toro.com/en/sports-fields-municipalities/utility-vehicles>> Nov. 7, 2017 (3 pages).

“Tractor: More than a Tractor, More than a Truck,” product description retrieved from <<http://www.tractor.com/>> Jan. 17, 2018 (1 page).

* cited by examiner

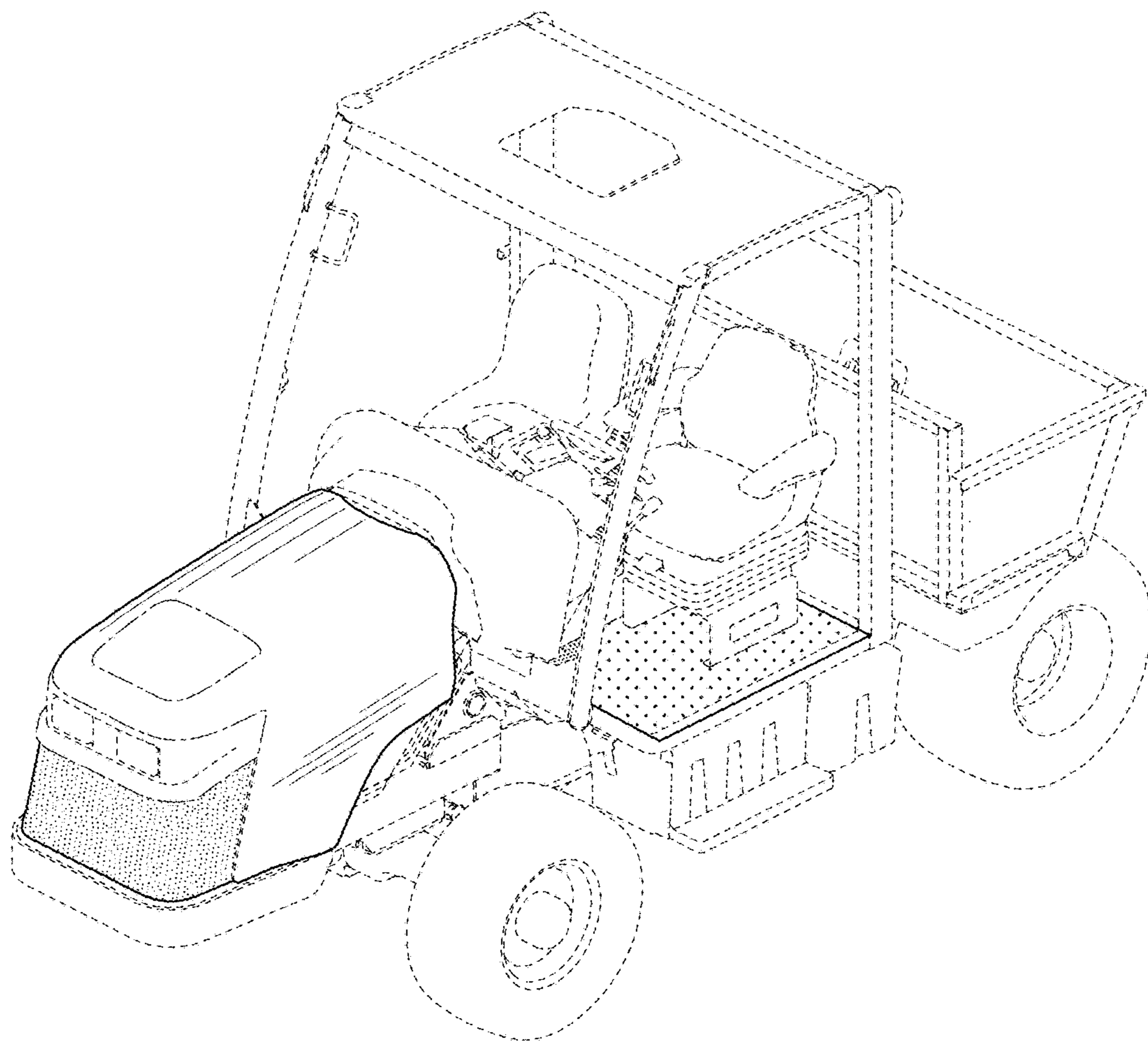


FIG. 1

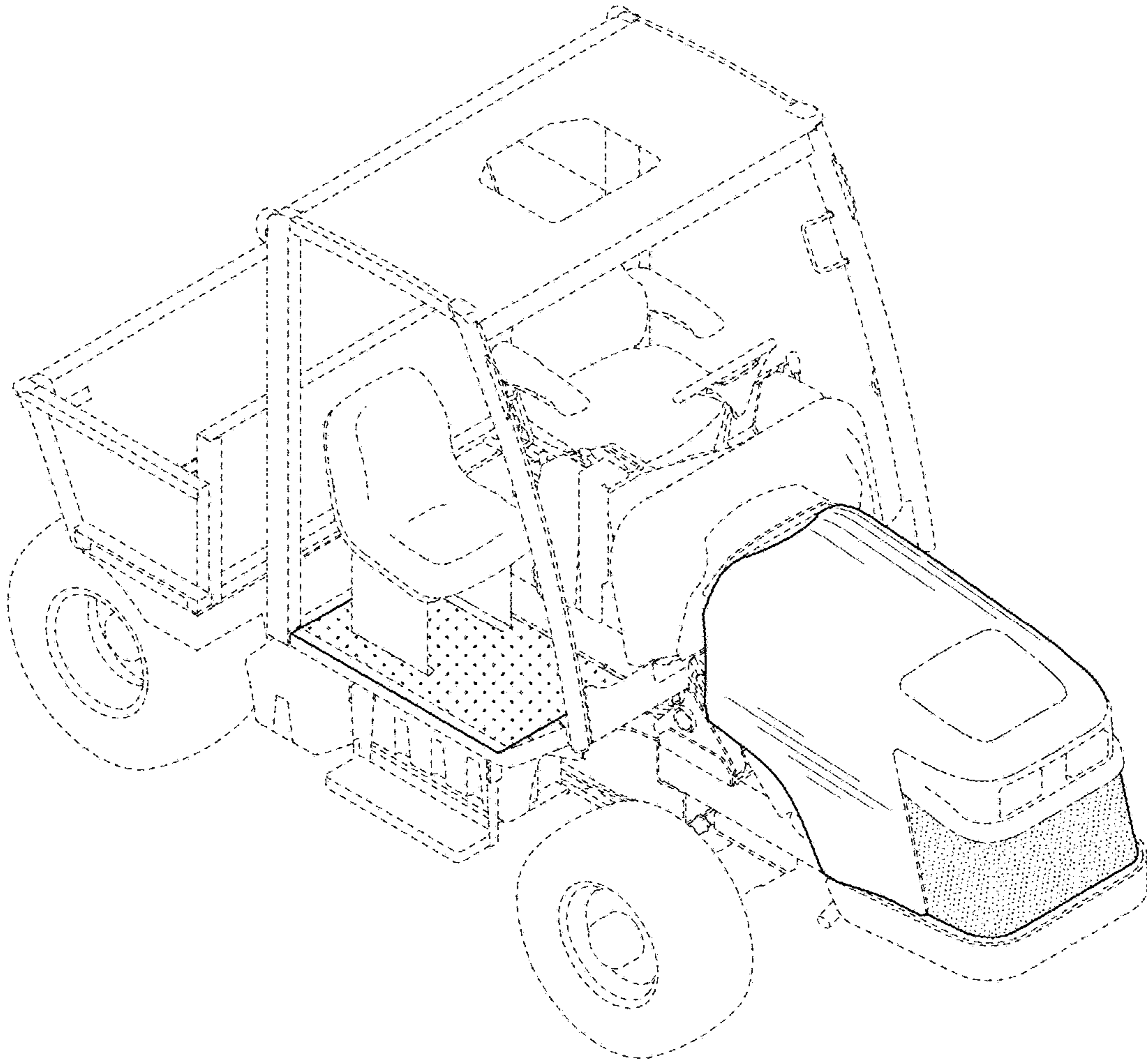


FIG. 2

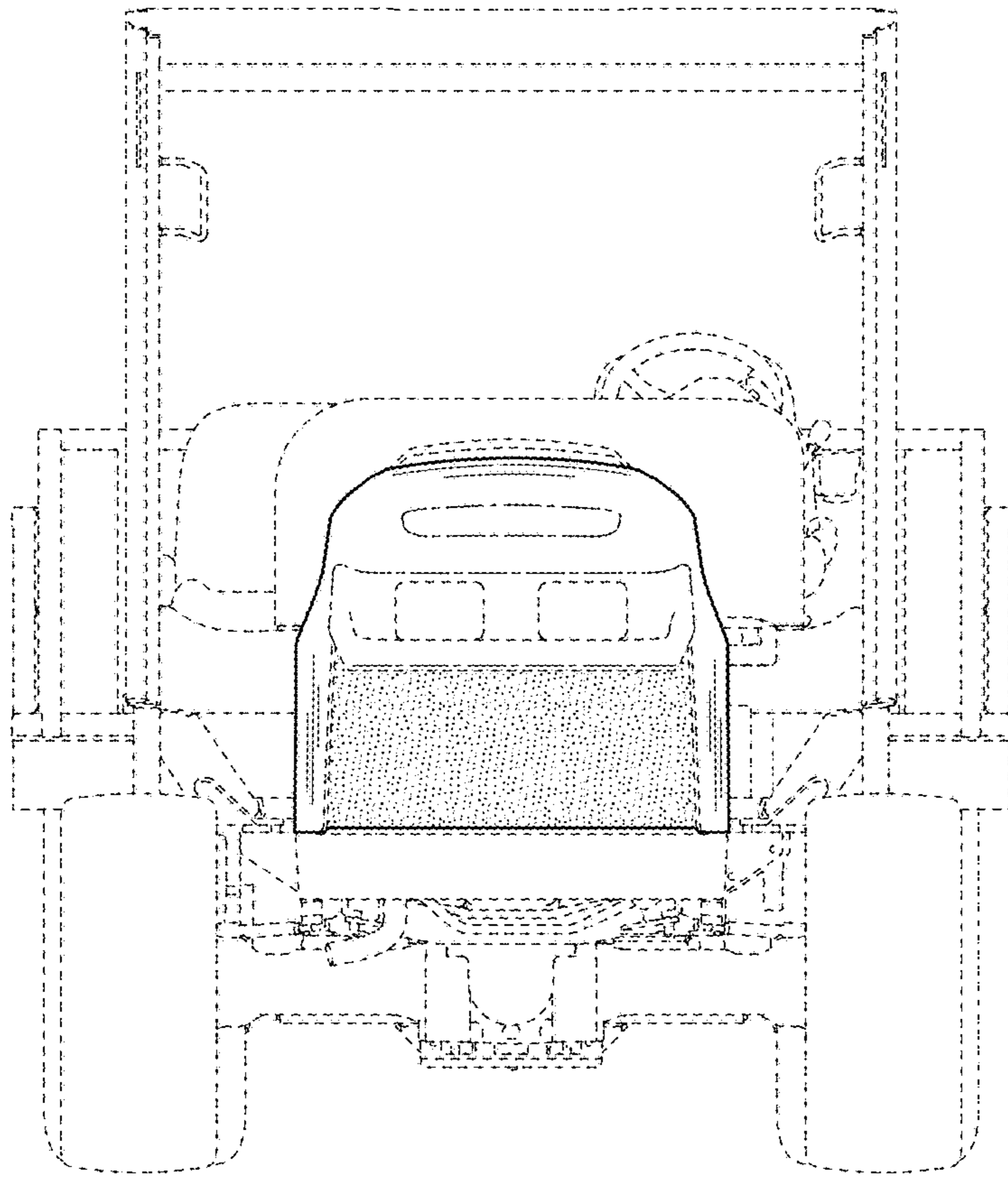


FIG. 3

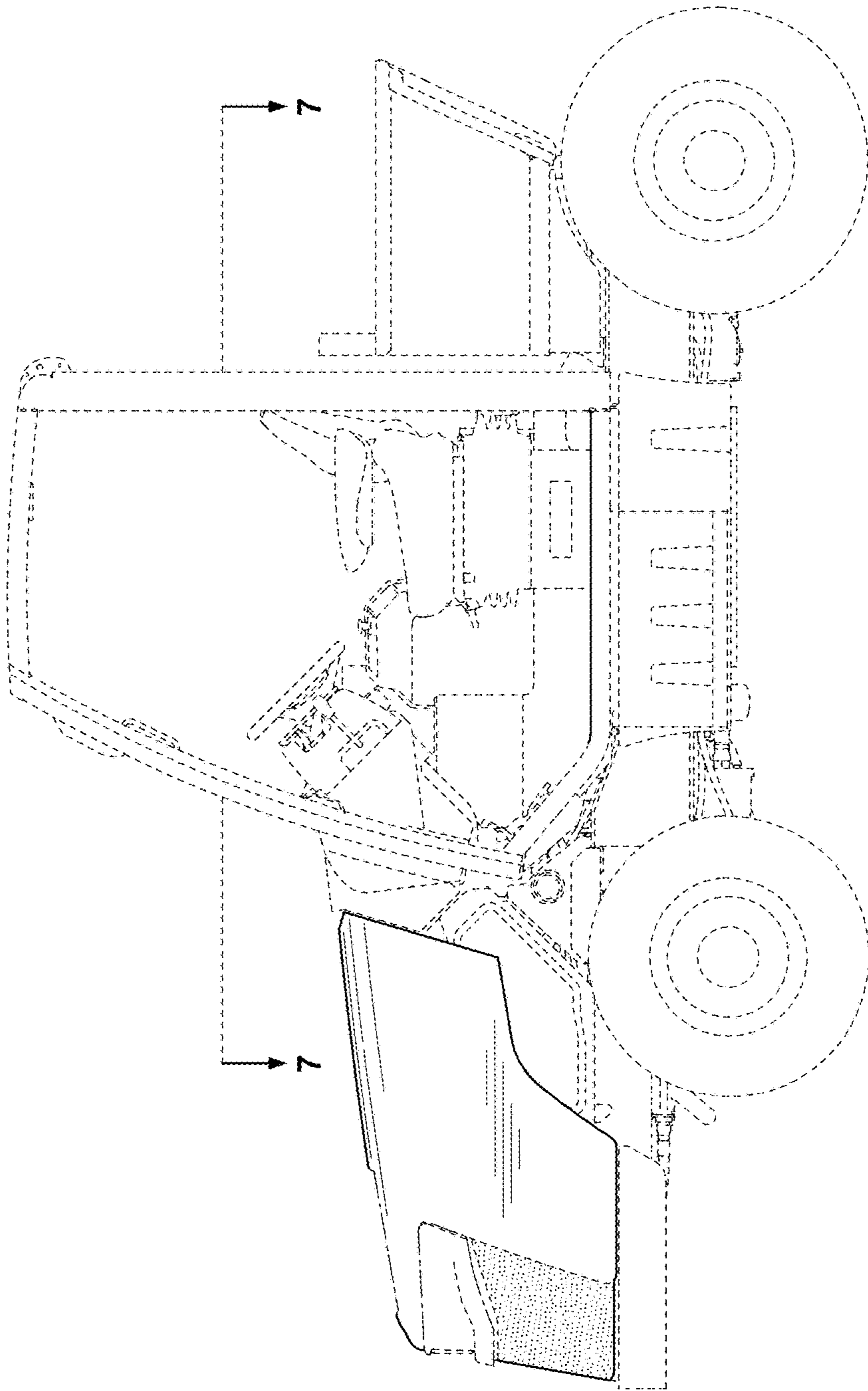


FIG. 4

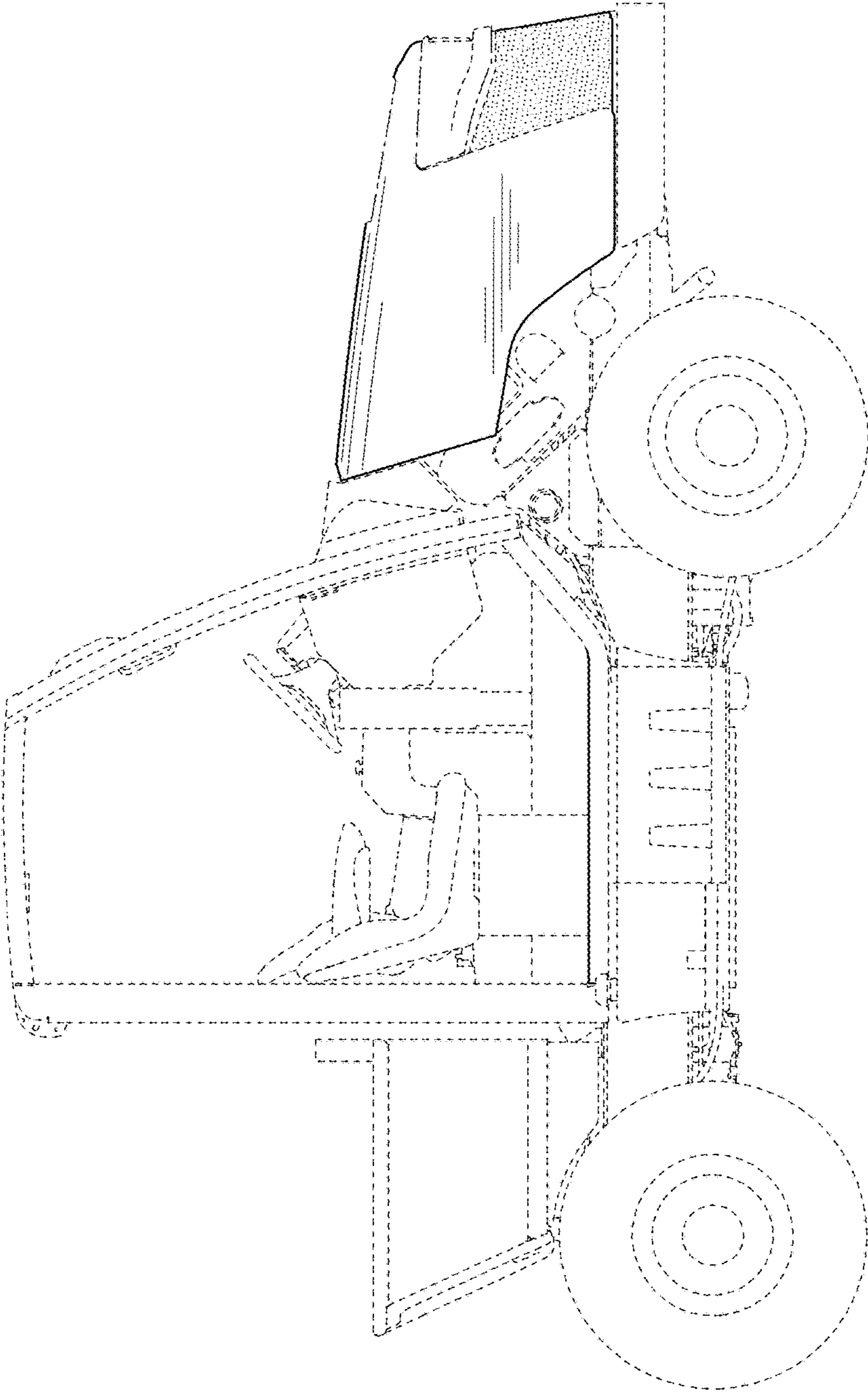


FIG. 5

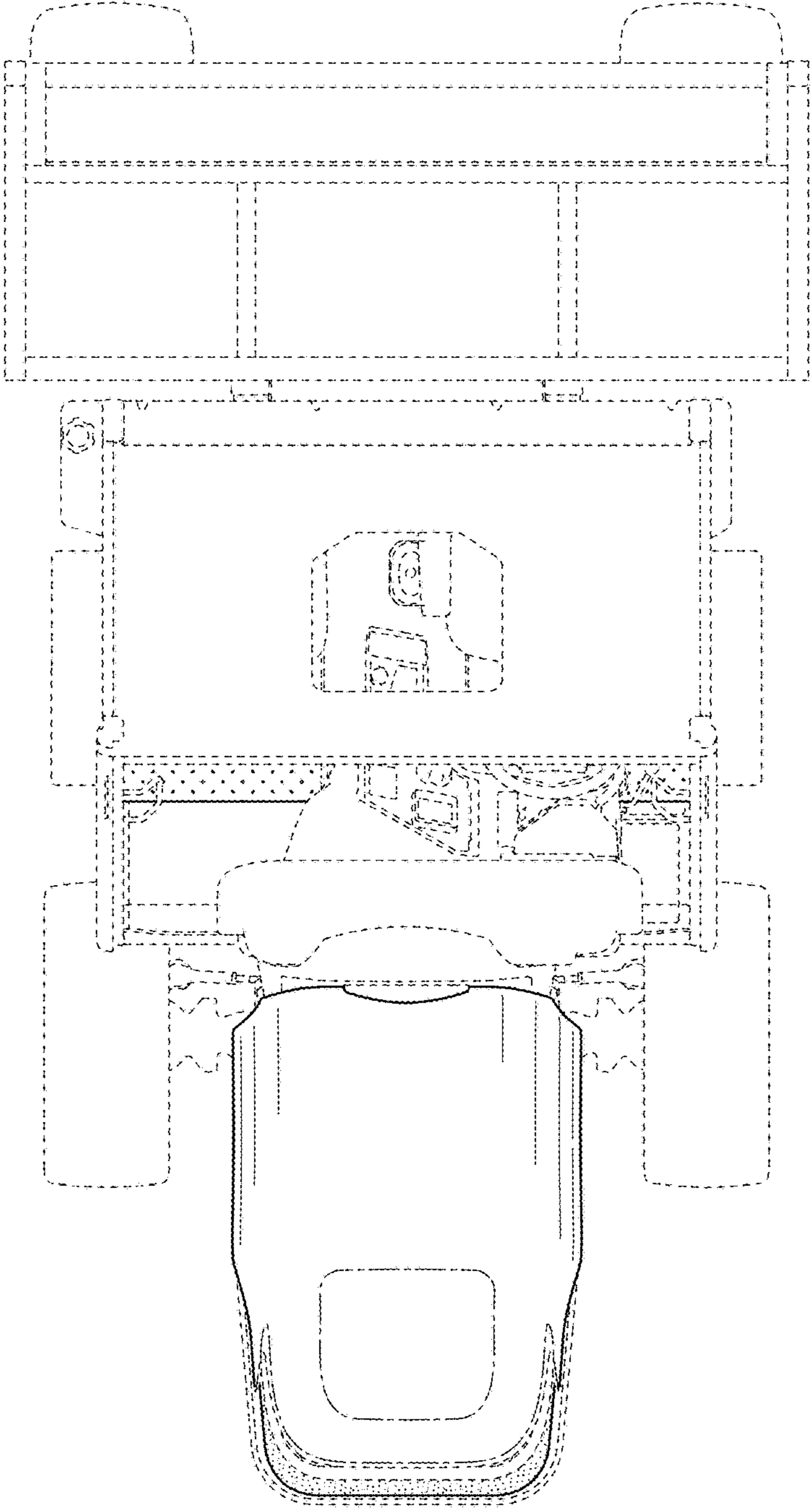


FIG. 6

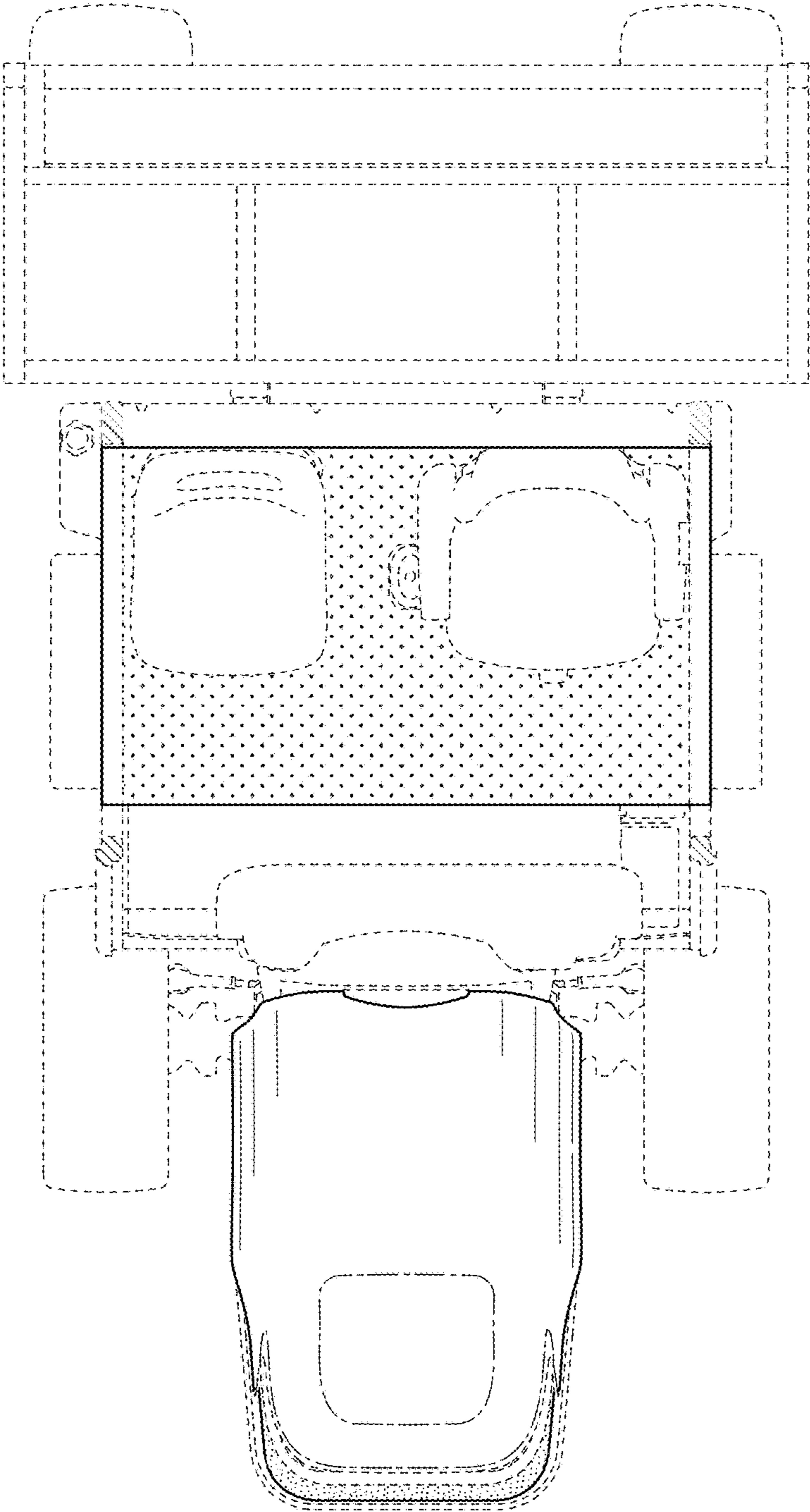


FIG. 7