



US00D855083S

(12) **United States Design Patent** (10) **Patent No.:** **US D855,083 S**  
**Yoneda et al.** (45) **Date of Patent:** **\*\* Jul. 30, 2019**

(54) **SIDE COVER OF CONSTRUCTION MACHINE**

(71) Applicant: **Caterpillar SARL**, Geneva (CH)

(72) Inventors: **Takashi Yoneda**, Hyogo (JP); **Niladri Manna**, Hyogo (JP); **Shuji Tokuda**, Hyogo (JP); **Tetsuo Nishiguchi**, Hyogo (JP); **Yuki Takemoto**, Hyogo (JP); **Hidenori Furutani**, Hyogo (JP)

(73) Assignee: **Caterpillar SARL**, Geneva (CH)

(\*\*) Term: **15 Years**

(21) Appl. No.: **29/635,911**

(22) Filed: **Feb. 5, 2018**

(30) **Foreign Application Priority Data**

Aug. 4, 2017 (JP) ..... 2017-016884

(51) **LOC (11) Cl.** ..... **15-03**

(52) **U.S. Cl.**  
USPC ..... **D15/28**

(58) **Field of Classification Search**  
USPC .... D15/22-26, 28, 30, 31, 33, 10; 180/89.1, 180/89.12, 235, 900, 298, 68.5; 414/685, 414/686, 694, 722, 680, 724, 699; 280/400

CPC ..... A01G 23/093; A01G 23/08  
See application file for complete search history.

(56) **References Cited**

**U.S. PATENT DOCUMENTS**

D576,182 S \* 9/2008 Murakami ..... D15/28  
D582,946 S \* 12/2008 Ochi ..... D15/28

D629,816 S \* 12/2010 Nishimura ..... D15/28  
D655,320 S \* 3/2012 Hiraoka ..... D15/28  
D660,323 S \* 5/2012 Hiraoka ..... D15/28  
D684,605 S \* 6/2013 Hagura ..... D15/28  
D684,606 S \* 6/2013 Hagura ..... D15/28  
D693,857 S \* 11/2013 Hiraoka ..... D15/28  
D772,308 S \* 11/2016 Harms ..... D15/28  
D772,956 S \* 11/2016 Harms ..... D15/28  
D792,481 S \* 7/2017 Hashimoto ..... D15/28

\* cited by examiner

*Primary Examiner* — Mark A Goodwin

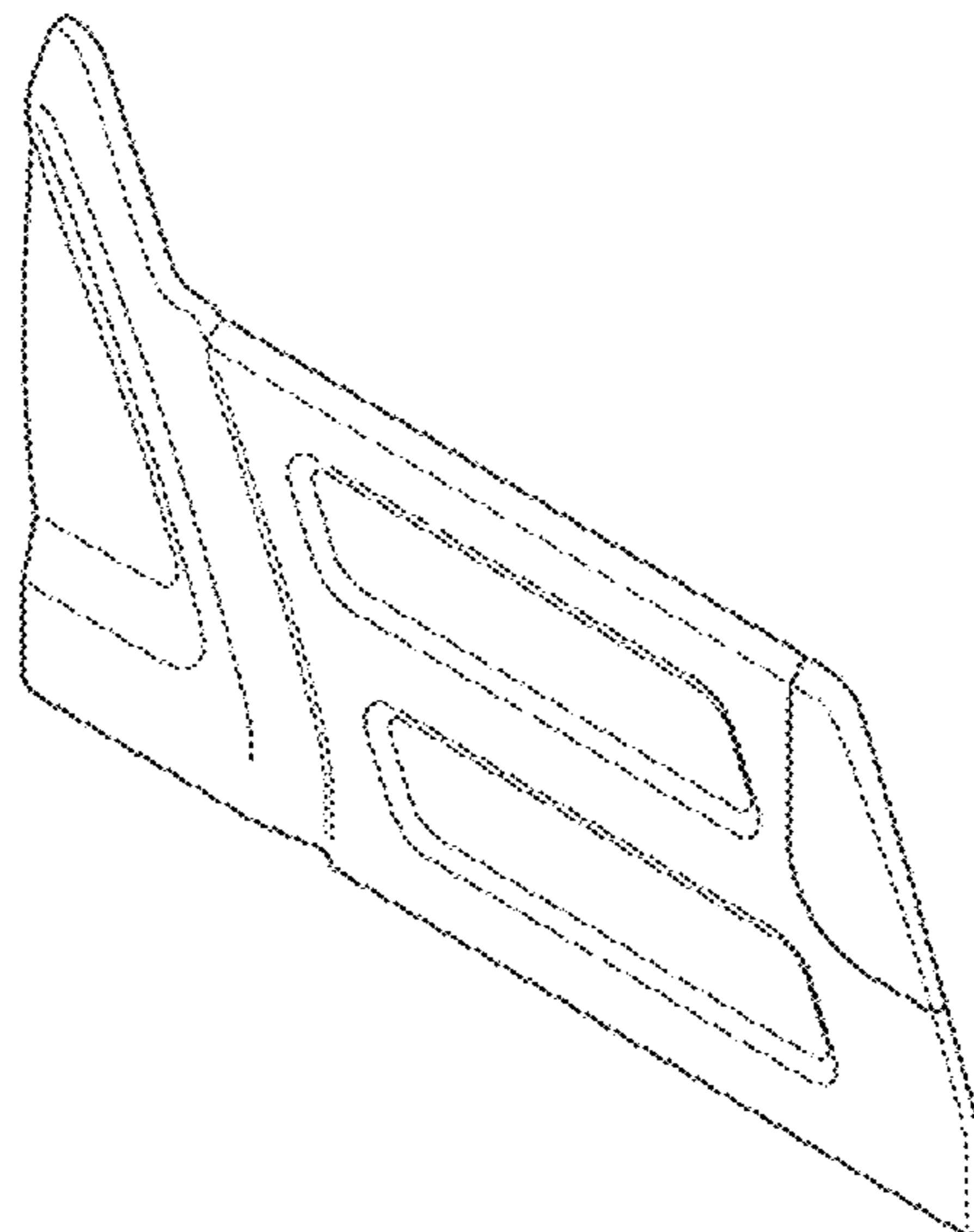
(57) **CLAIM**

The ornamental design for side cover of construction machine, as shown and described.

**DESCRIPTION**

FIG. 1 is a front side (exterior) elevation view of right hand side cover for a construction machine showing our new design;  
FIG. 2 is a rear side (interior) elevation view thereof;  
FIG. 3 is a top view thereof;  
FIG. 4 is a bottom view thereof;  
FIG. 5 is left hand end view thereof;  
FIG. 6 is right hand end view thereof;  
FIG. 7 is an elevated perspective view thereof;  
FIG. 8 is a reference picture to illustrate a cross section thereof through a line X-X in FIG. 1; and,  
FIG. 9 is a reference picture to illustrate a cross section thereof through a line Y-Y in FIG. 1.

**1 Claim, 5 Drawing Sheets**



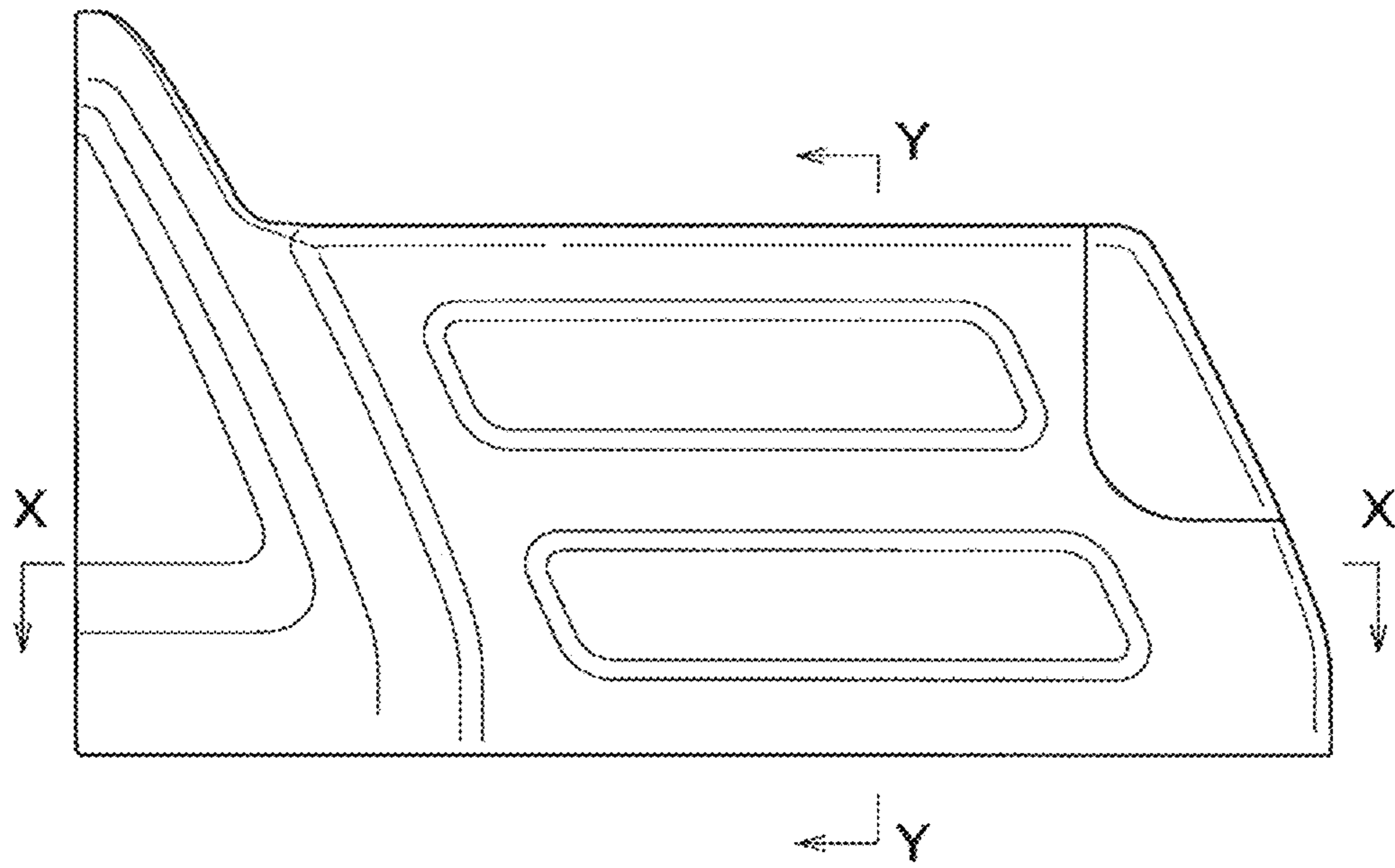


FIG. 1

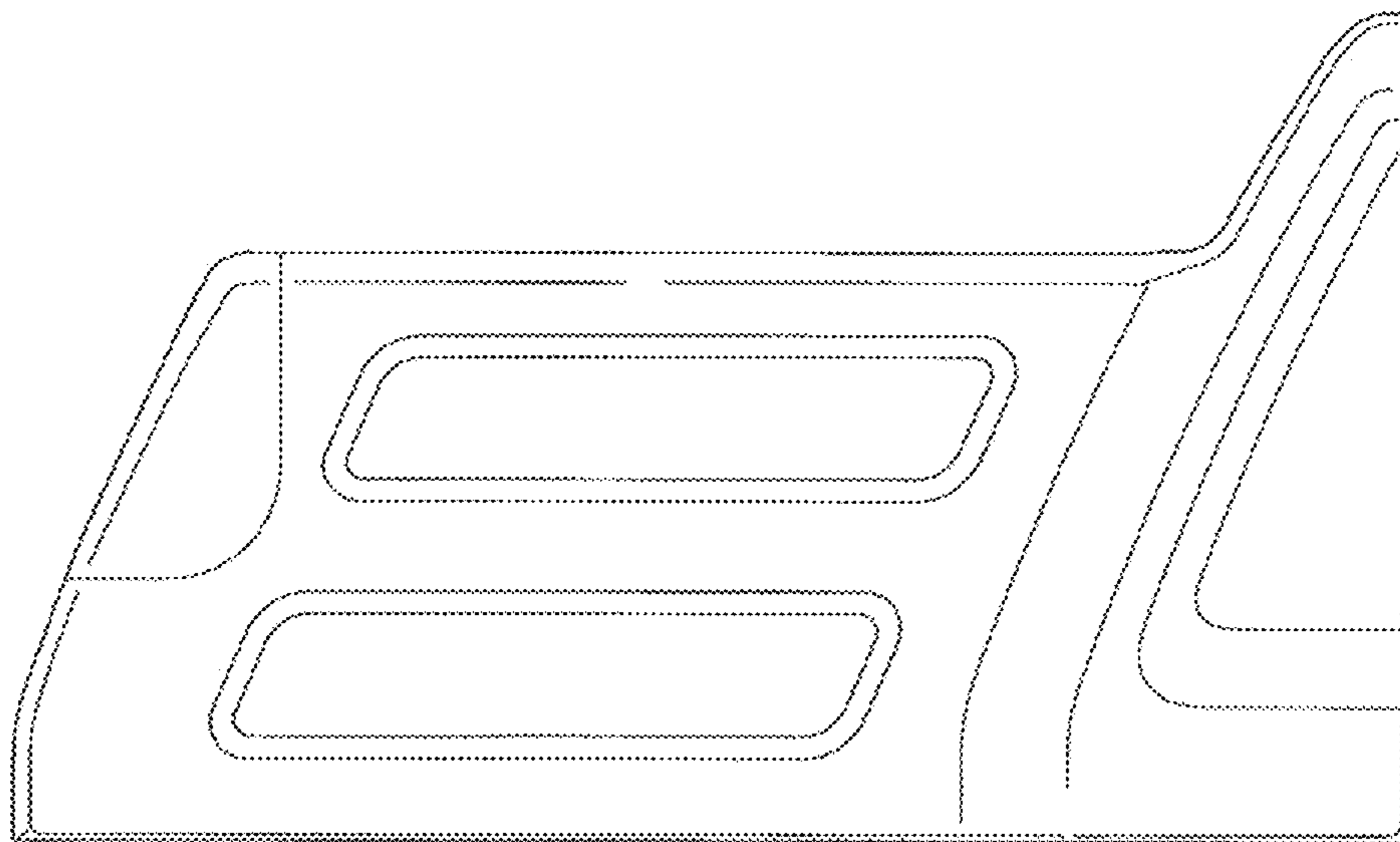


FIG. 2



FIG. 3

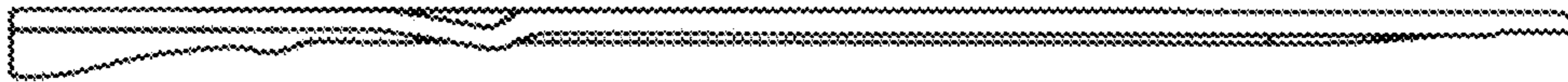


FIG. 4



FIG. 5



FIG. 6

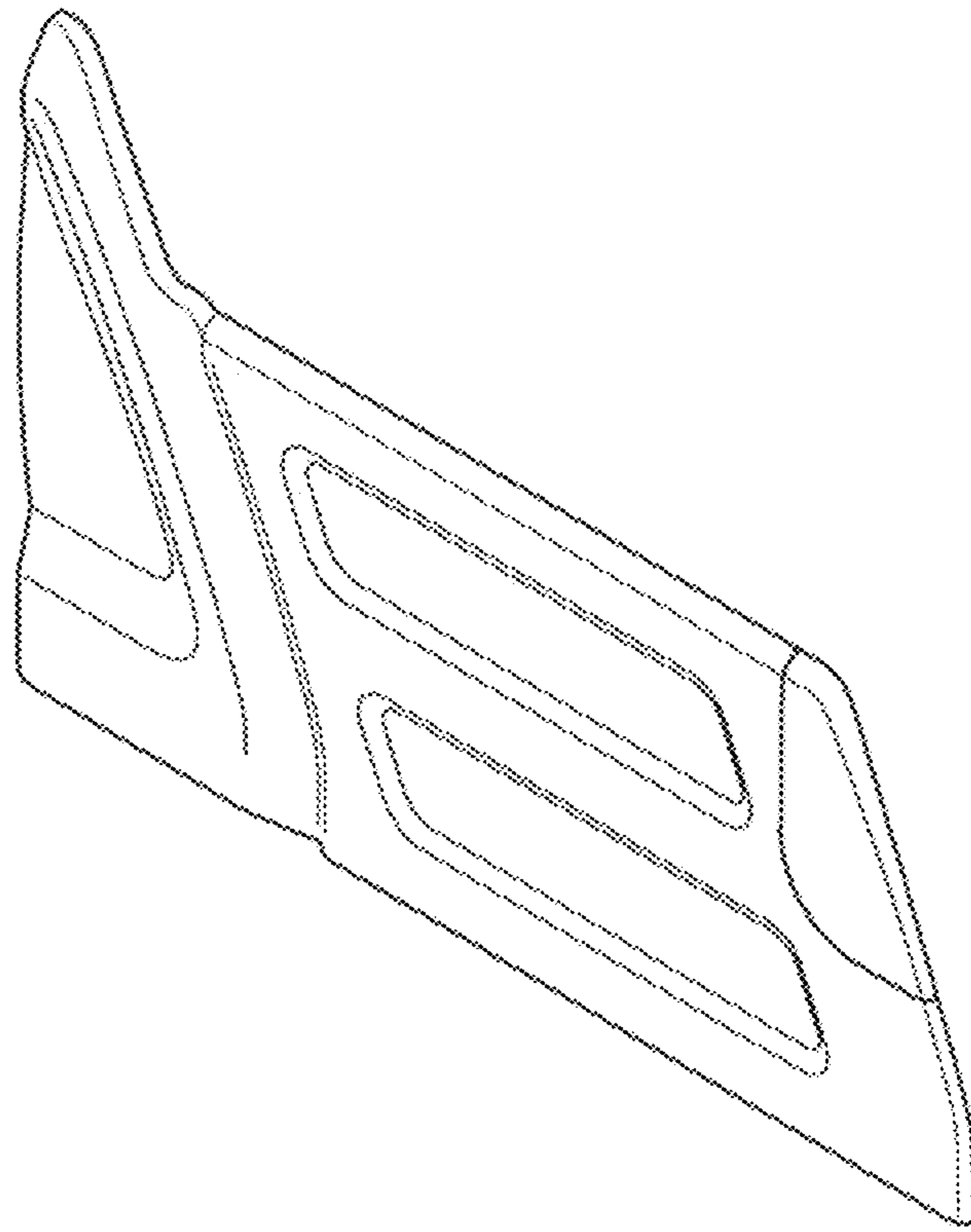


FIG. 7

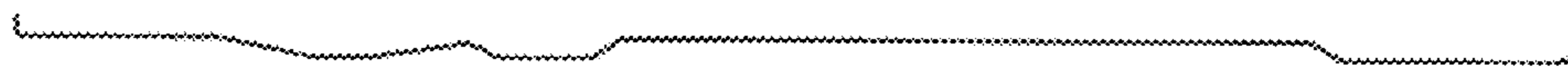


FIG. 8



FIG. 9