



US00D855082S

(12) **United States Design Patent**  
**Okuyama et al.**

(10) **Patent No.:** **US D855,082 S**

(45) **Date of Patent:** **\*\* Jul. 30, 2019**

(54) **EXCAVATOR**

7,503,419 B2 \* 3/2009 Miyake ..... E02F 3/384  
180/326

(71) Applicant: **YANMAR CO., LTD.**, Osaka-shi,  
Osaka (JP)

D590,847 S \* 4/2009 Yonekura ..... D15/25  
D614,205 S \* 4/2010 Kuwae ..... D15/25  
D692,924 S \* 11/2013 Hatanaka ..... D15/24  
D716,844 S \* 11/2014 Hayami ..... D15/24  
D716,845 S \* 11/2014 Hayami ..... D15/24  
D725,680 S \* 3/2015 Mishio ..... D15/24  
D735,771 S \* 8/2015 Imashige ..... D15/28  
D742,934 S \* 11/2015 Kushita ..... D15/25  
D806,137 S \* 12/2017 Hashimoto ..... D15/25  
2016/0186406 A1 \* 6/2016 Nakagaki ..... E02F 9/24  
414/685

(72) Inventors: **Kiyoyuki Okuyama**, Yamagata (JP);  
**Masataka Miyoshi**, Chikugo (JP);  
**Masamitsu Uemura**, Chikugo (JP);  
**Zenzo Uchida**, Chikugo (JP); **Hisayuki**  
**Ishii**, Chikugo (JP); **Nozomi**  
**Sakaguchi**, Chikugo (JP); **Yoshihito**  
**Hayama**, Chikugo (JP)

\* cited by examiner

(73) Assignee: **YANMAR CO., LTD.**, Osaka (JP)

*Primary Examiner* — Mark A Goodwin

(\*\*) Term: **15 Years**

*Assistant Examiner* — Benjamin M Weeks

(21) Appl. No.: **29/595,245**

(74) *Attorney, Agent, or Firm* — Norton Rose Fulbright  
US LLP

(22) Filed: **Feb. 27, 2017**

(57) **CLAIM**

(30) **Foreign Application Priority Data**

The ornamental design for an excavator, as shown and  
described.

Aug. 30, 2016 (JP) ..... D2016-018559

(51) **LOC (11) Cl.** ..... **12-09**

(52) **U.S. Cl.**  
USPC ..... **D15/25**

(58) **Field of Classification Search**  
USPC ..... D12/19, 41, 82, 85, 93, 95, 99, 101;  
D15/13, 14, 15, 22-26  
CPC ..... B28C 5/4268; B60P 3/16  
See application file for complete search history.

**DESCRIPTION**

(56) **References Cited**

FIG. 1 is a perspective view of an excavator showing our  
new design;  
FIG. 2 is a front view thereof;  
FIG. 3 is a rear view thereof;  
FIG. 4 is a right side view thereof;  
FIG. 5 is a left side view thereof;  
FIG. 6 is a top plan view thereof; and,  
FIG. 7 is a bottom plan view thereof.

**U.S. PATENT DOCUMENTS**

The broken lines in the drawings are for the purpose of  
illustrating portions of the excavator that form no part of the  
claimed design.

D538,304 S \* 3/2007 Uemura ..... D15/25  
D555,675 S \* 11/2007 Matsubara ..... D15/25

**1 Claim, 7 Drawing Sheets**

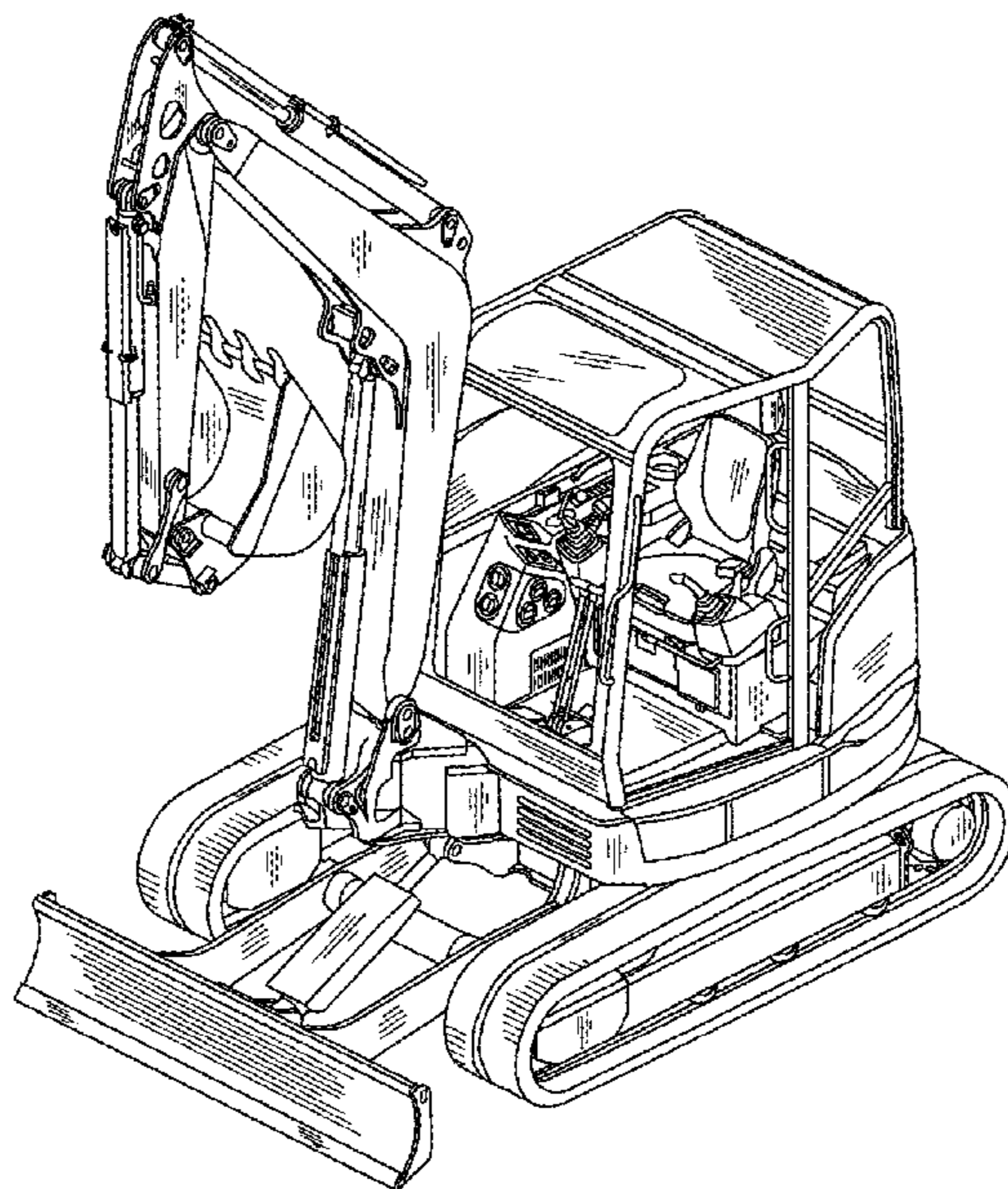


FIG. 1

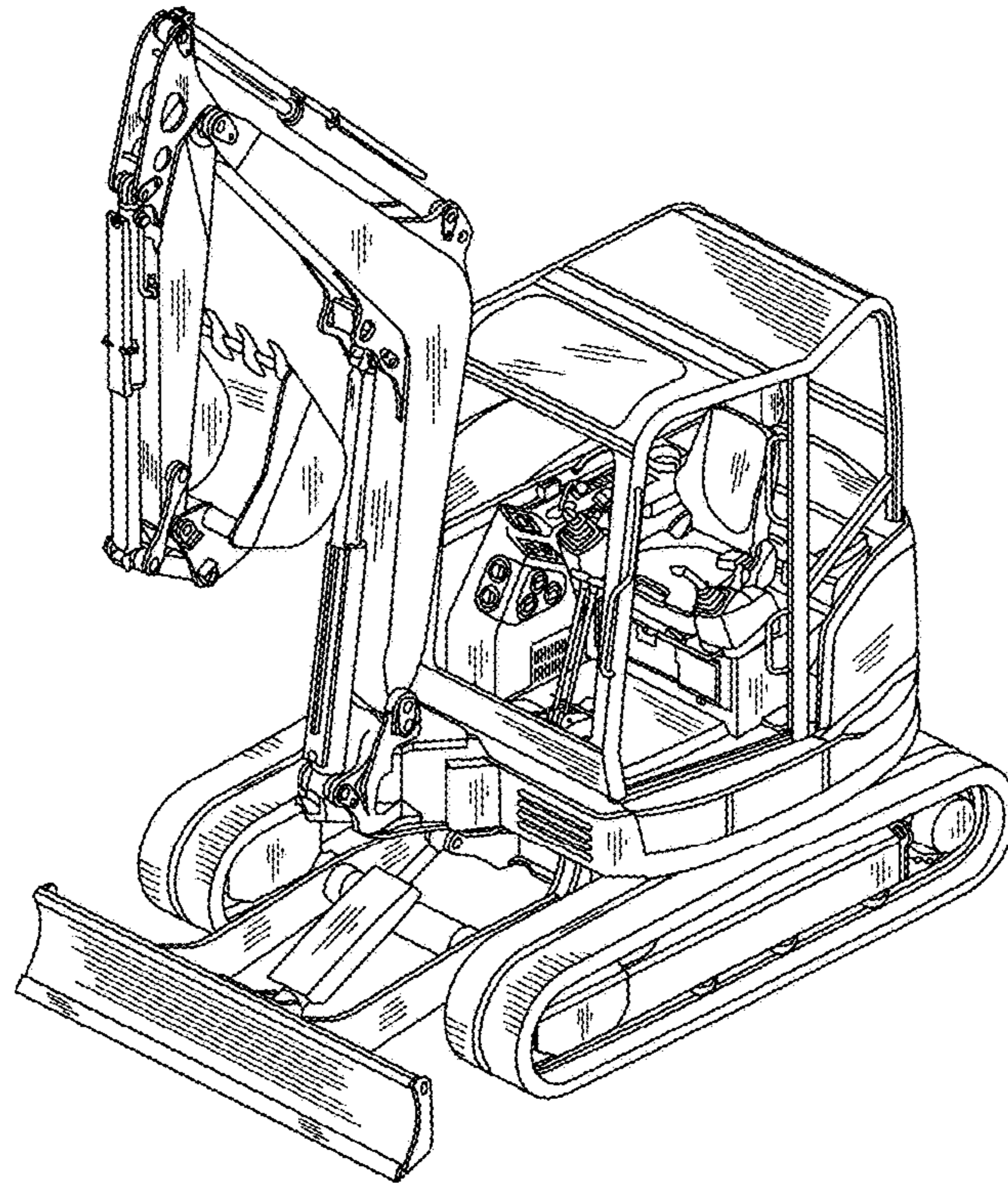


FIG. 2

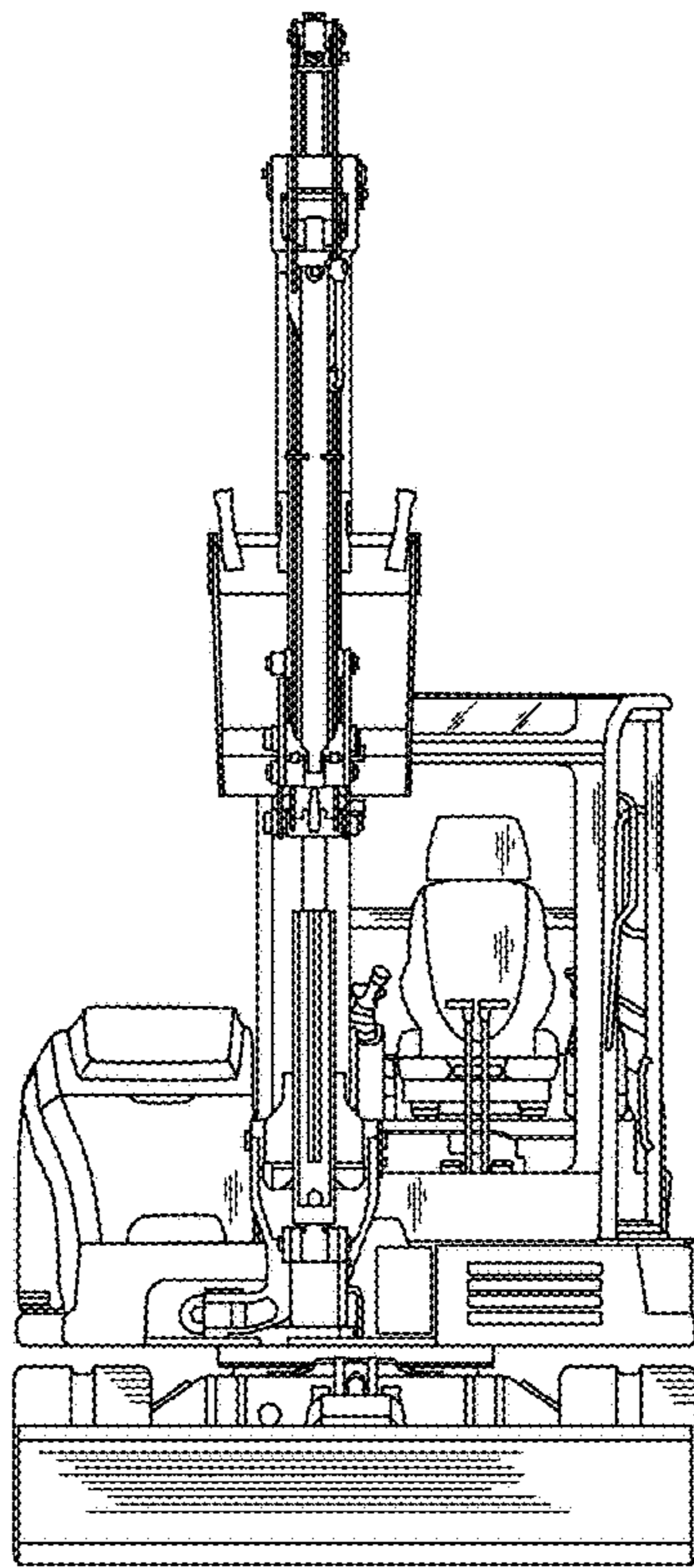


FIG. 3

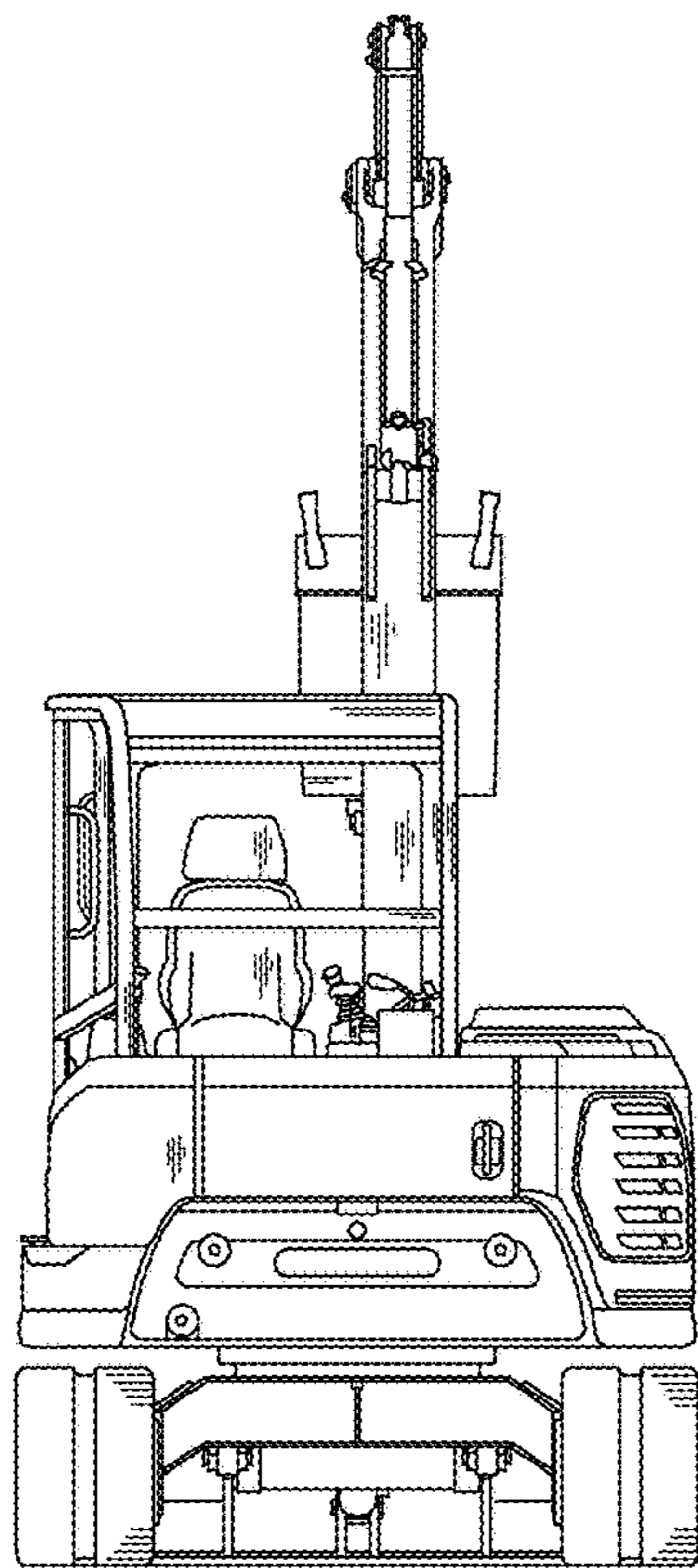


FIG. 4

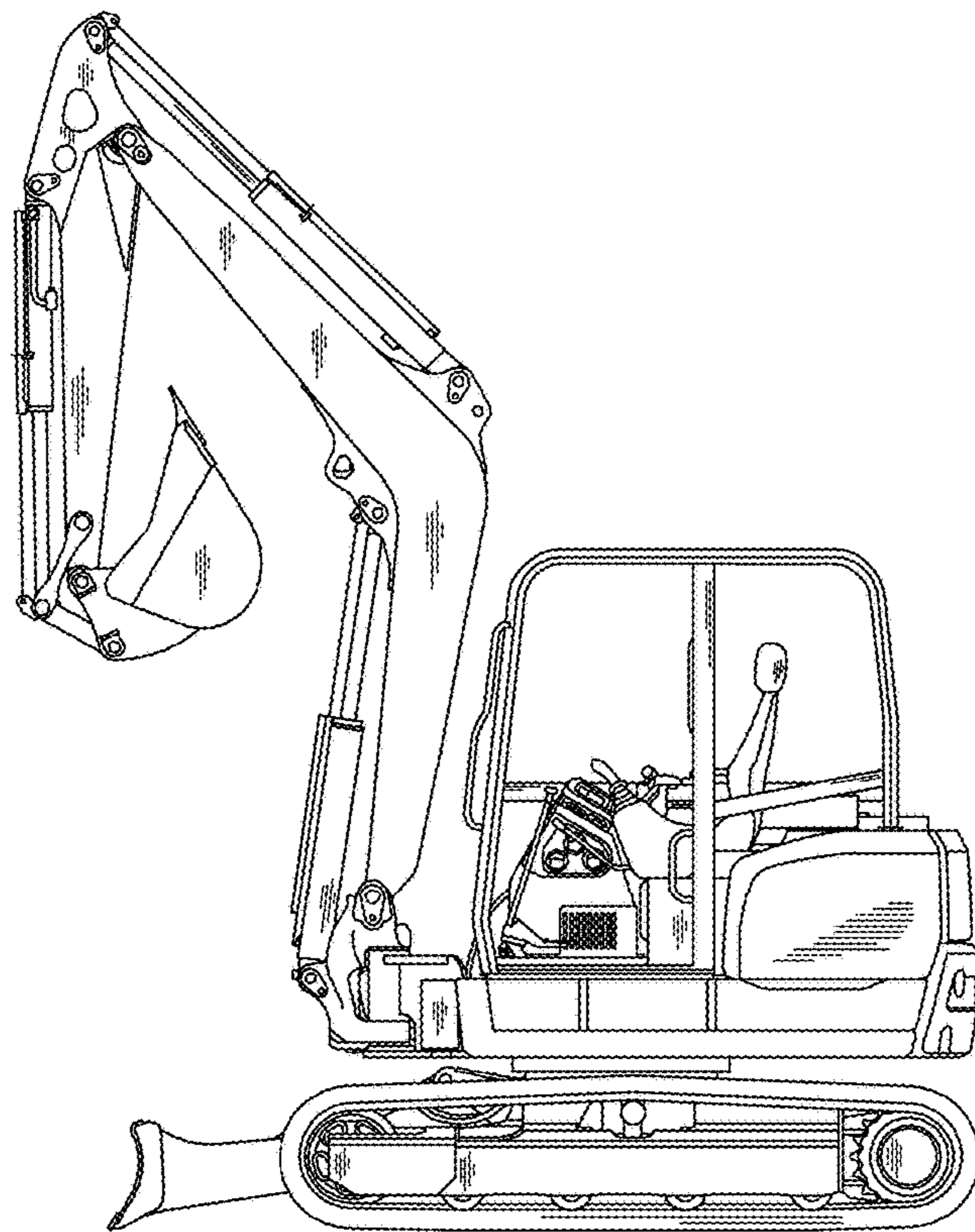


FIG. 5

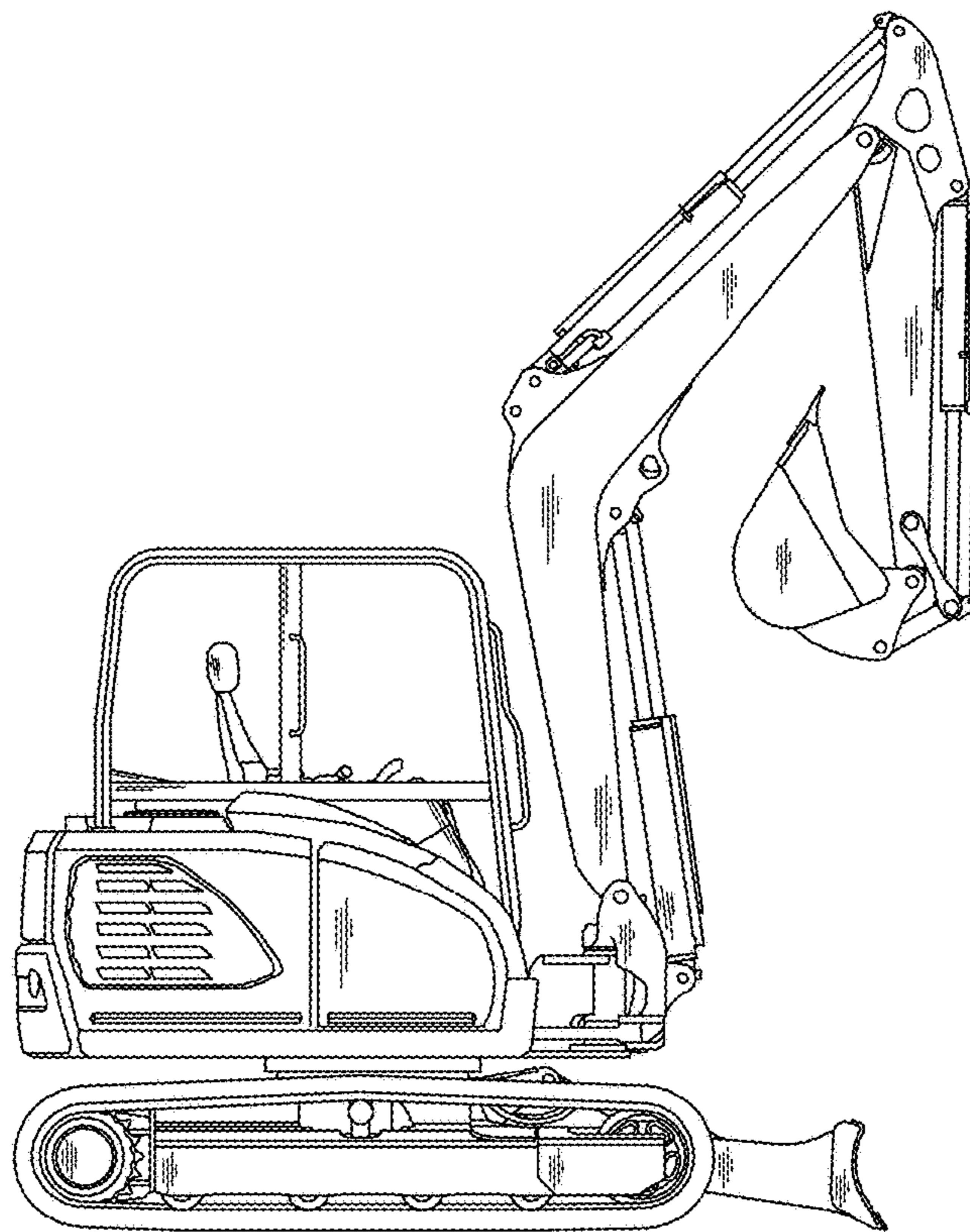


FIG. 6

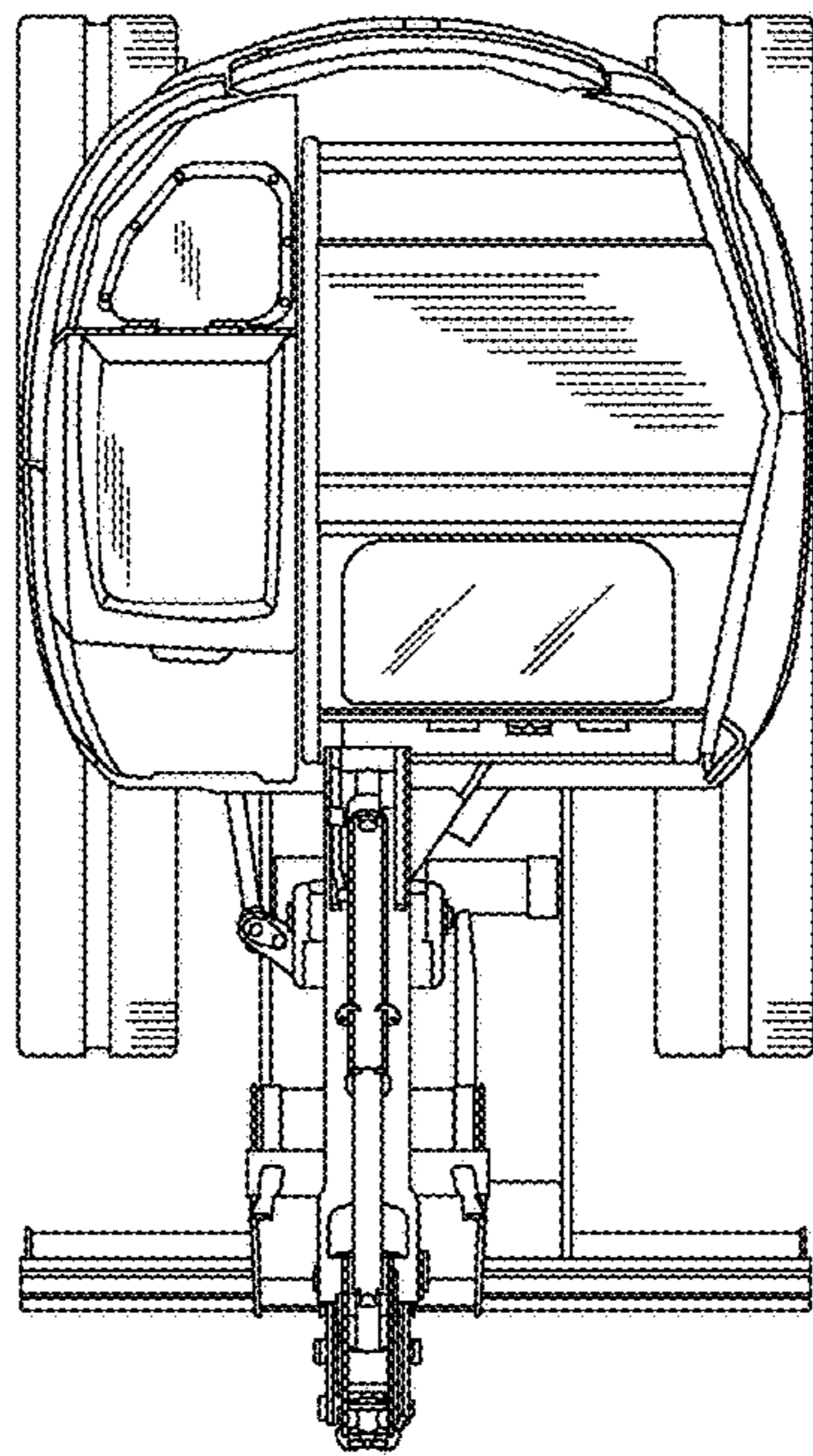


FIG. 7

