



US00D855081S

(12) **United States Design Patent** (10) **Patent No.:** **US D855,081 S**  
**Yoneda et al.** (45) **Date of Patent:** **\*\* Jul. 30, 2019**

(54) **CONSTRUCTION MACHINE**  
(71) Applicant: **Caterpillar SARM**, Geneva (CH)  
(72) Inventors: **Takashi Yoneda**, Hyogo (JP); **Niladri Manna**, Hyogo (JP); **Hiroyuki Shimizu**, Hyogo (JP); **Tetsuo Nishiguchi**, Hyogo (JP); **Kenichi Mori**, Hyogo (JP); **Hidenori Furutani**, Hyogo (JP)

D460,975 S \* 7/2002 Yanagida ..... D15/25  
D534,552 S \* 1/2007 Yanagida ..... D15/25  
D658,211 S \* 4/2012 Hiraoka ..... D15/25  
D663,324 S \* 7/2012 Fuchita ..... D15/25  
D663,751 S \* 7/2012 Yogita ..... D15/25  
D678,354 S \* 3/2013 Hiraoka ..... D15/25  
D682,322 S \* 5/2013 Suzuki ..... D15/25  
D684,598 S \* 6/2013 Hagura ..... D15/24  
D685,394 S \* 7/2013 Nagata ..... D15/24  
D695,791 S \* 12/2013 Hagura ..... D15/25  
D715,330 S \* 10/2014 Hutchinson ..... D15/22

(73) Assignee: **Caterpillar SARM**, Geneva (CH)

**FOREIGN PATENT DOCUMENTS**

(\*\*) Term: **15 Years**

JP 1580238 S 7/2017

(21) Appl. No.: **29/635,908**

\* cited by examiner

(22) Filed: **Feb. 5, 2018**

*Primary Examiner* — Mark A Goodwin

(30) **Foreign Application Priority Data**

Aug. 4, 2017 (JP) ..... 2017-016883

(51) **LOC (11) Cl.** ..... **15-03**

(52) **U.S. Cl.**  
USPC ..... **D15/22**

(58) **Field of Classification Search**  
USPC .... D15/22-26, 28, 30, 31, 33, 10; 180/89.1,  
180/89.12, 235, 900, 298, 68.5; 414/685,  
414/686, 694, 722, 680, 724, 699;  
280/400  
CPC ..... A01G 23/093; A01G 23/08  
See application file for complete search history.

(57) **CLAIM**

The ornamental design for construction machine, as shown and described.

(56) **References Cited**

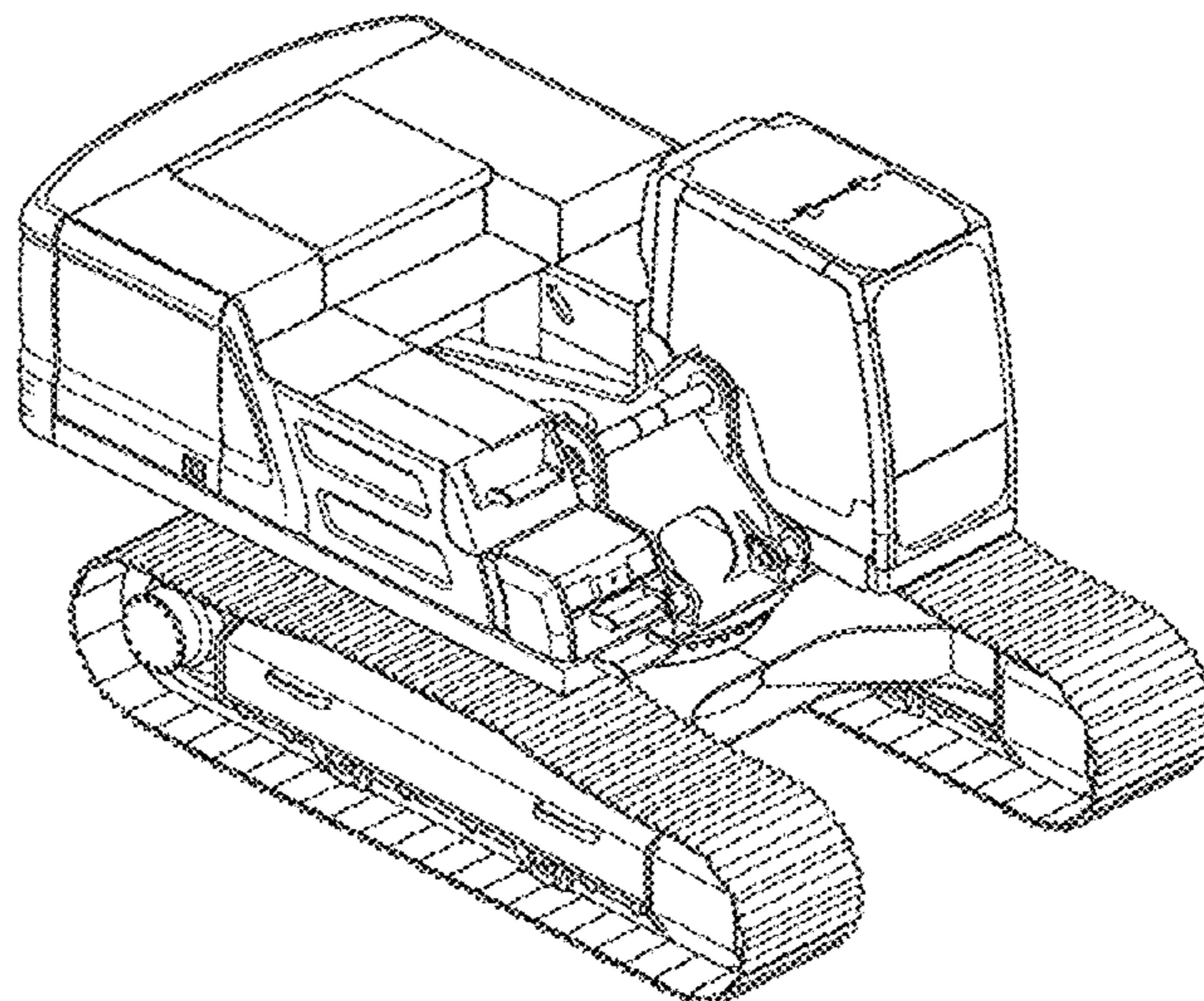
**U.S. PATENT DOCUMENTS**

D391,272 S \* 2/1998 Jin ..... D15/24  
D437,602 S \* 2/2001 Hiraoka ..... D15/25

**DESCRIPTION**

FIG. 1 is a front elevation view of a construction machine showing our new design;  
FIG. 2 is a rear elevation view thereof;  
FIG. 3 is a top view thereof;  
FIG. 4 is a right side elevation view thereof;  
FIG. 5 is left side elevation view thereof; and,  
FIG. 6 is a front elevated perspective view thereof.

**1 Claim, 3 Drawing Sheets**



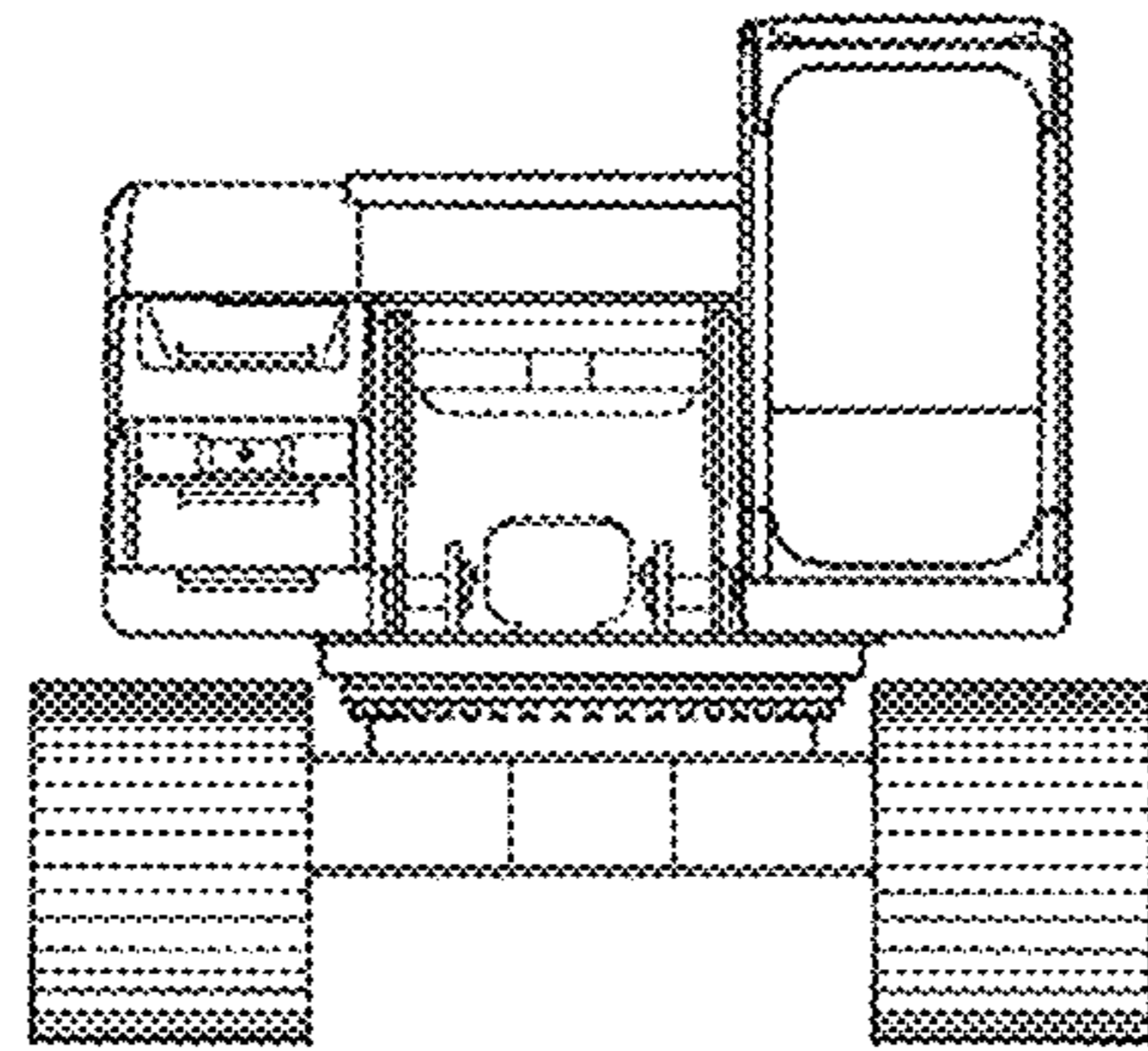


FIG. 1

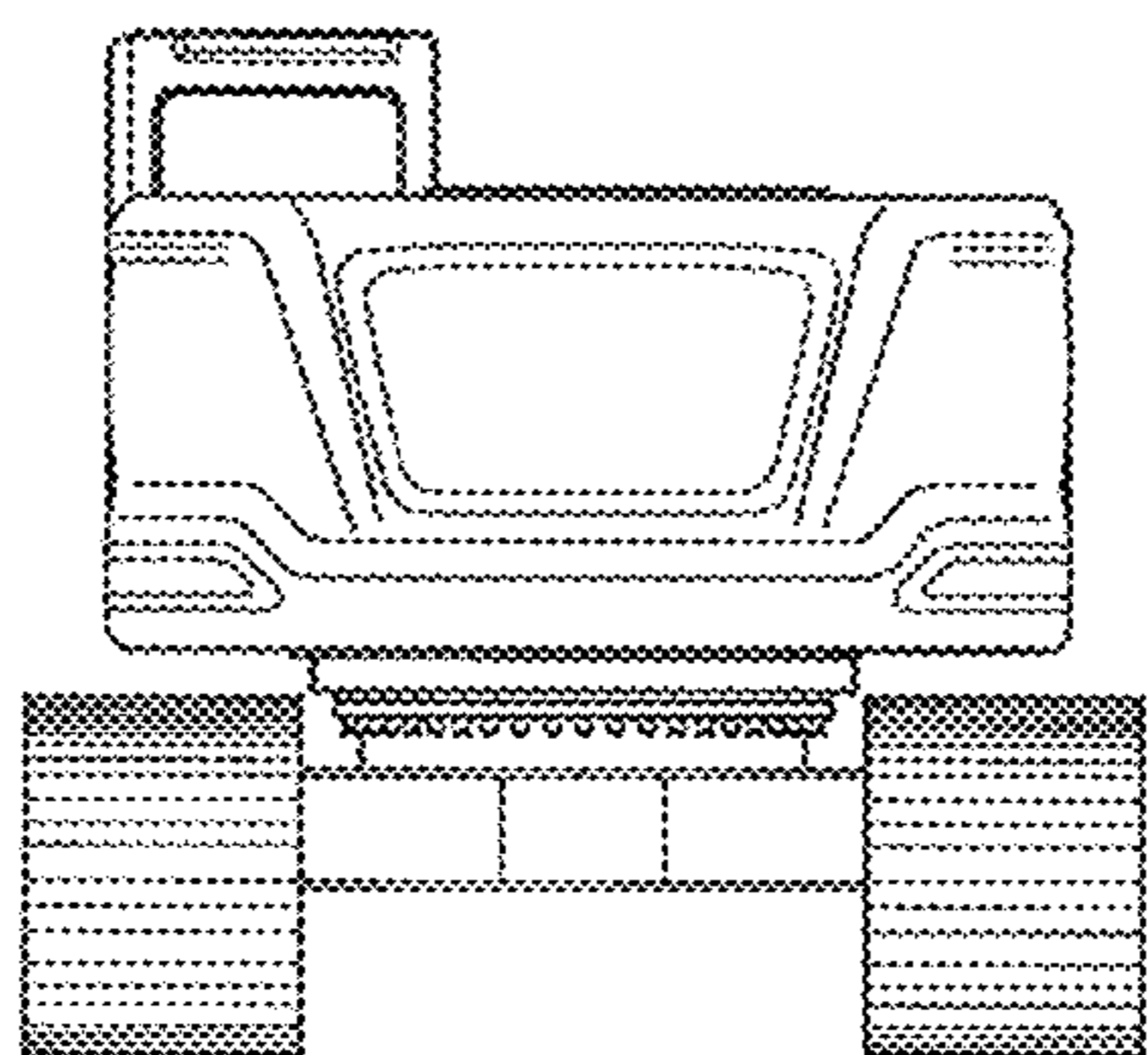


FIG. 2

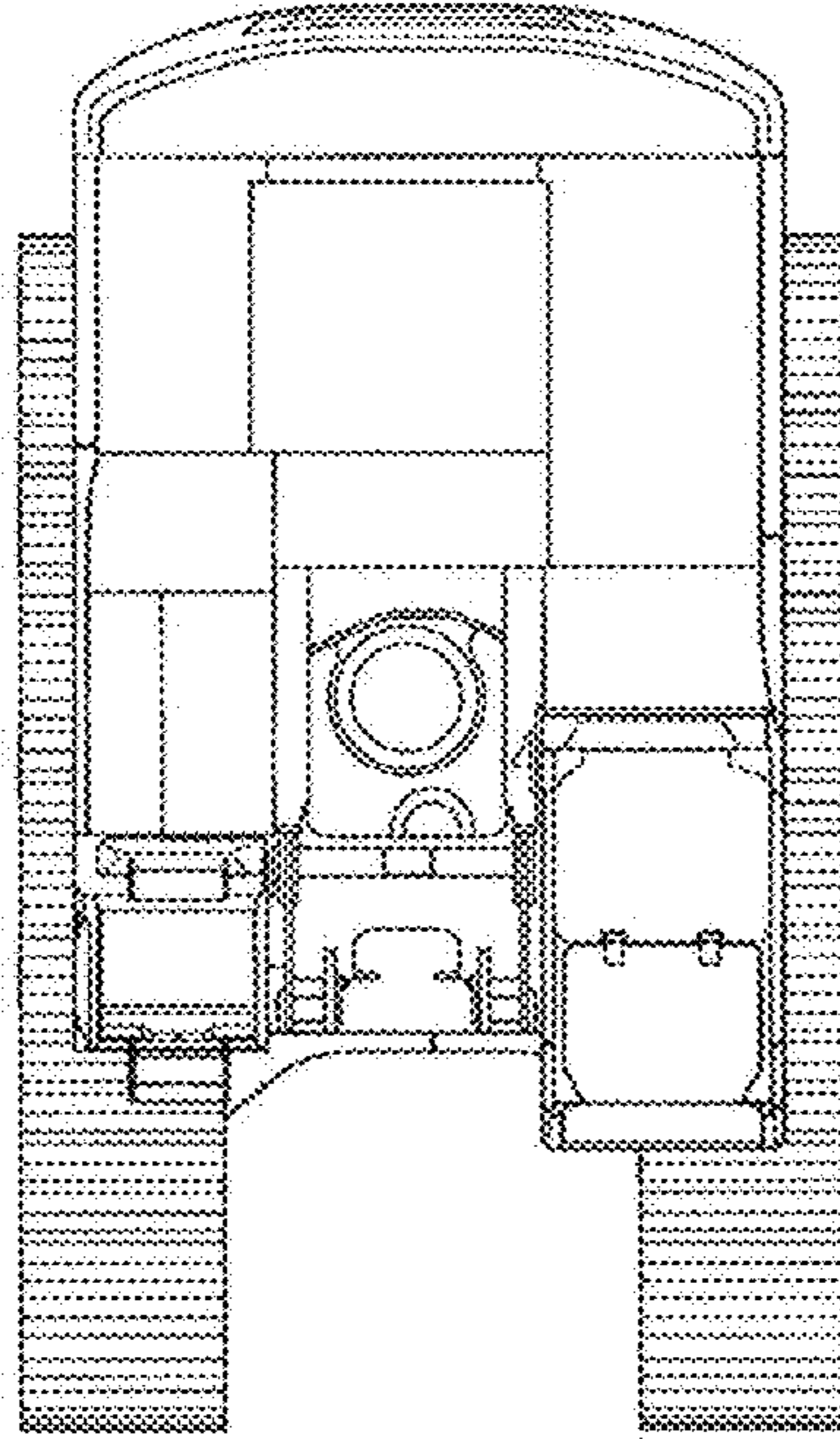


FIG. 3

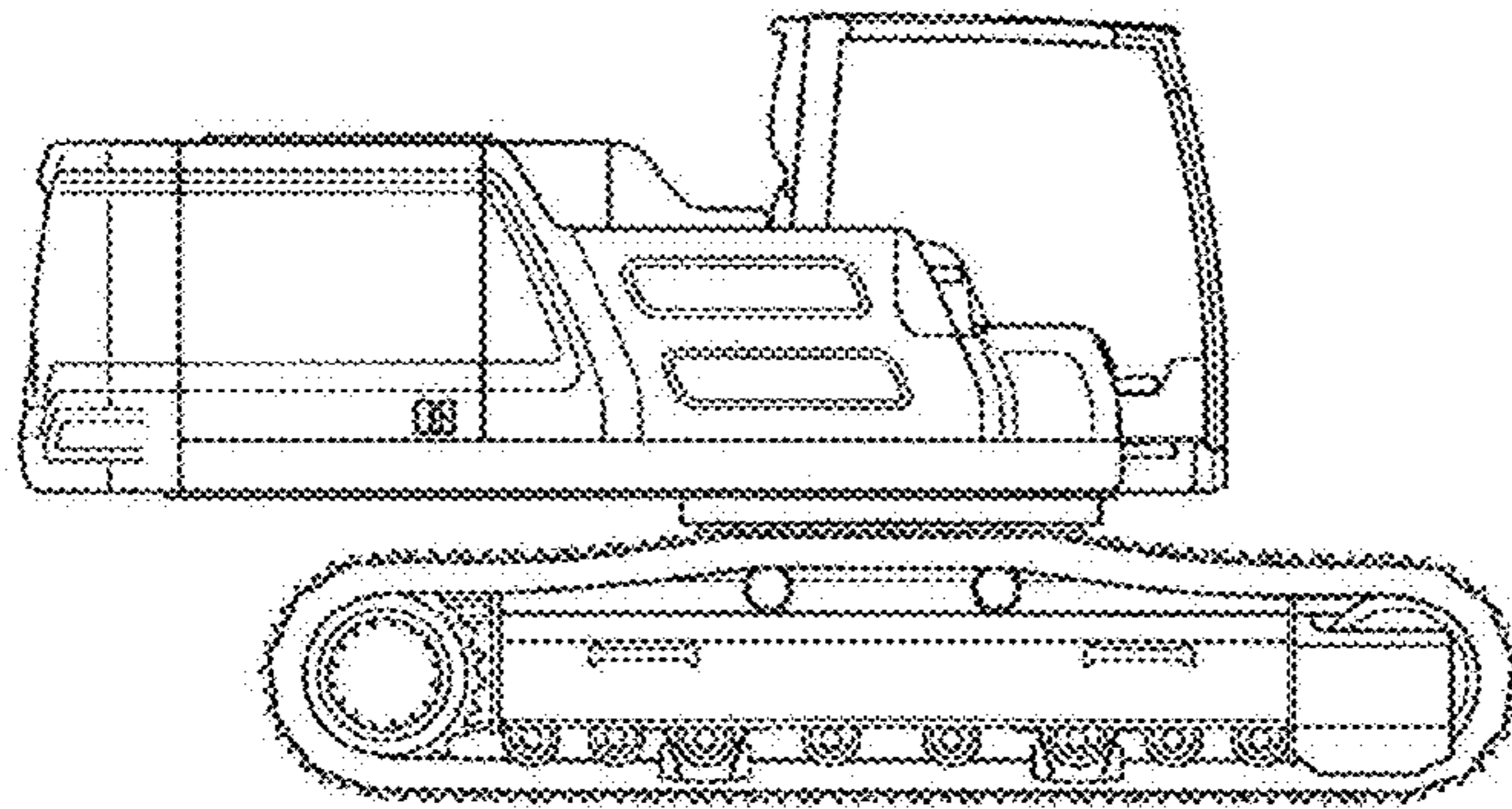


FIG. 4

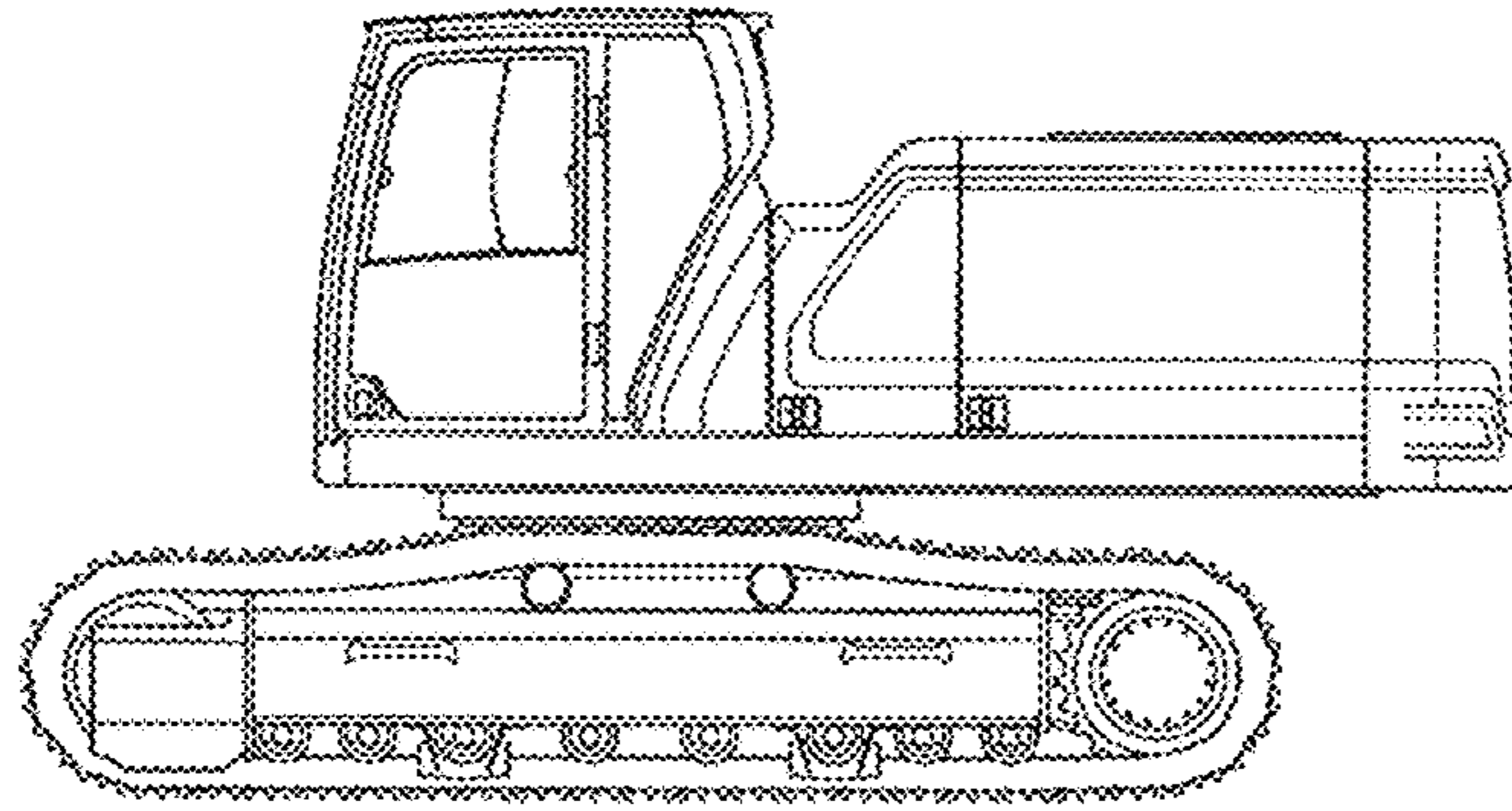


FIG. 5

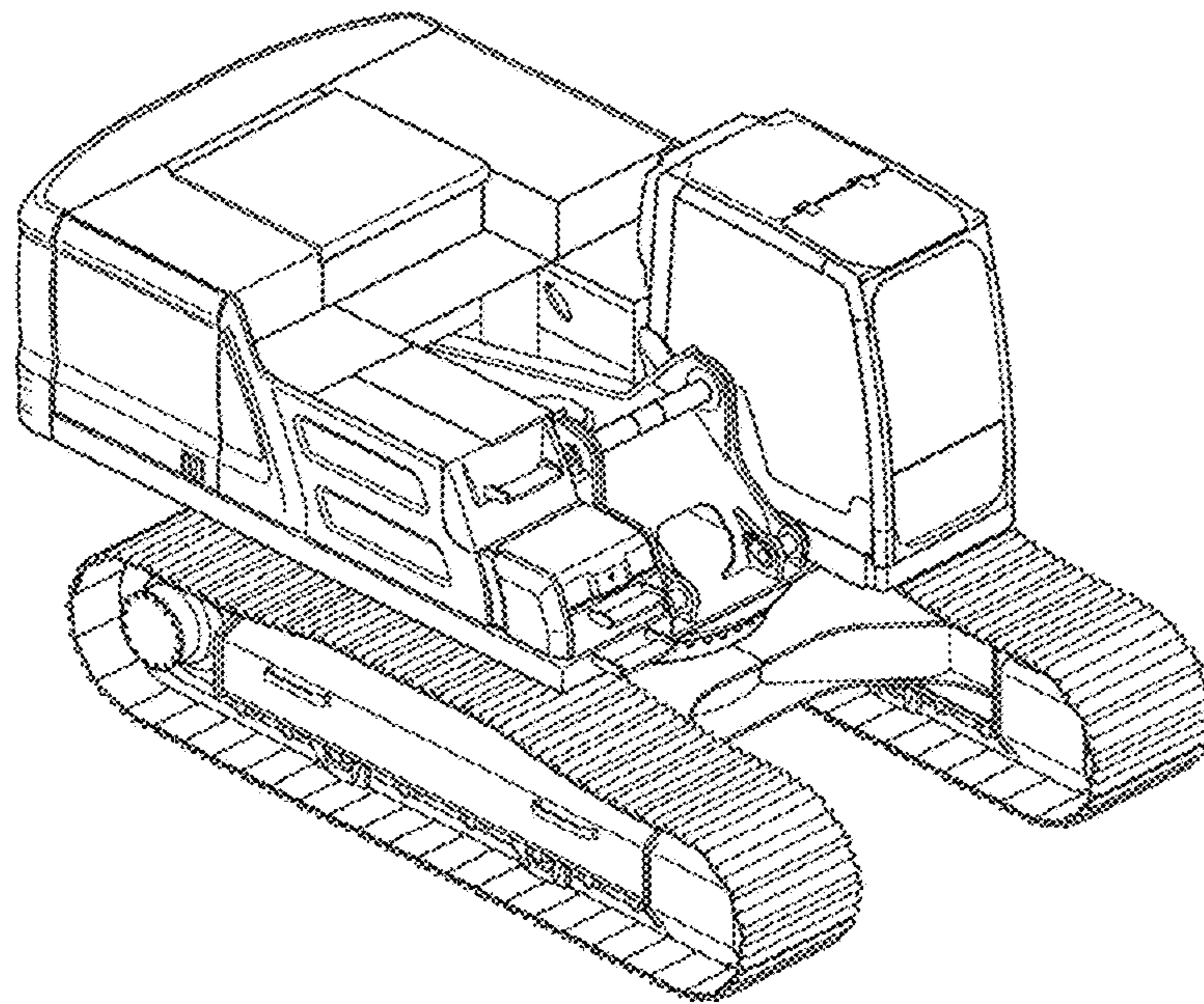


FIG. 6