



US00D855080S

(12) **United States Design Patent** (10) **Patent No.:** **US D855,080 S**
Pajevic et al. (45) **Date of Patent:** **** Jul. 30, 2019**

(54) **MOBILE DRIVE UNIT**
(71) Applicant: **Amazon Technologies, Inc.**, Seattle, WA (US)
(72) Inventors: **Dragan Pajevic**, Arlington, MA (US); **Peter Thomas Colantonio**, North Andover, MA (US)
(73) Assignee: **Amazon Technologies, Inc.**, Seattle, WA (US)
(**) Term: **15 Years**
(21) Appl. No.: **29/641,742**
(22) Filed: **Mar. 23, 2018**
(51) **LOC (11) Cl.** **15-03**
(52) **U.S. Cl.** **D15/14; D15/17**
USPC **D15/14; D15/17**
(58) **Field of Classification Search**
USPC D15/14, 17, 18; 56/11.9, 17.5, 13.4, 56/12.8, 16.7, 202, 255, 294, 295, 320.1, 56/320.2; 180/900, 89.1, 89.12
CPC A01D 34/008; A01D 34/81; A01D 34/416; A01D 34/4166; A01D 34/4167; A01D 34/87; A01D 34/90; B60L 1/003; B60L 3/0061; B60L 11/1803; B60L 11/1805; B60L 11/1877; B60L 15/20; B60L 2260/28; B60L 2200/40; B60L 2220/16; B60L 2220/46; B60L 2240/36; B60L 2240/421; A01G 3/04; A01G 3/0435; B60G 2206/011; B60G 2800/91; B60G 17/0195; B60G 7/003; B60D 1/46; B60P 1/6445; G05D 1/0227
See application file for complete search history.

D504,901 S * 5/2005 Wickstrom D15/14
D559,867 S * 1/2008 Abramson D15/14
D652,431 S * 1/2012 Naslund D15/14
D656,163 S * 3/2012 Johansson D15/14
D678,352 S * 3/2013 Maeda D15/14
D679,294 S * 4/2013 Tajik D15/14
D679,295 S * 4/2013 Tajik D15/14
D681,065 S * 4/2013 Maeda D15/14
D688,276 S * 8/2013 Naslund D15/14
D718,339 S * 11/2014 Damshak D15/14
D729,280 S * 5/2015 Naslund D15/14
D745,897 S * 12/2015 Mehra D15/14
D781,926 S * 3/2017 Al-Hashimi D15/14
2004/0117064 A1* 6/2004 McDonald A47L 9/009
700/245
2007/0234492 A1* 10/2007 Svendsen A47L 5/30
15/21.1
2008/0276407 A1* 11/2008 Schnittman A47L 11/34
15/319

(Continued)

Primary Examiner — Mark A Goodwin
(74) *Attorney, Agent, or Firm* — BakerHostetler

(57) **CLAIM**

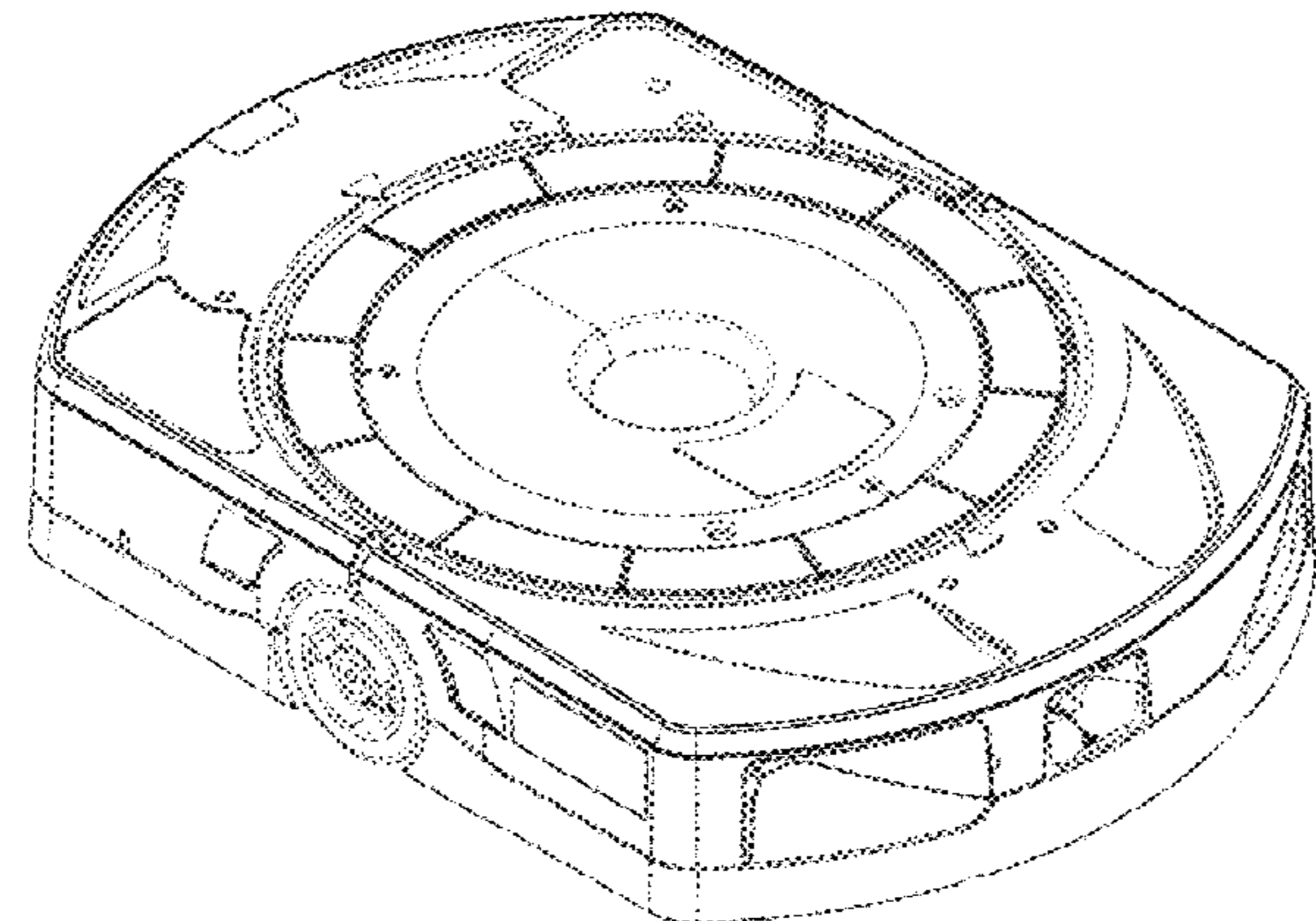
We claim the ornamental design for a mobile drive unit, as shown and described.

DESCRIPTION

FIG. 1 is a top perspective view of a mobile drive unit according to our new design;
FIG. 2 is a top plan view thereof;
FIG. 3 is a bottom plan view thereof
FIG. 4 is a first side view thereof
FIG. 5 is a second side view thereof;
FIG. 6 is a rear end view thereof; and,
FIG. 7 is a front end view thereof.
The broken, dashed lines illustrate environment structure and are not part of the claimed design sought to be patented. The dot-dash-dot lines show the boundaries of the claimed design.

(56) **References Cited**
U.S. PATENT DOCUMENTS
D420,365 S * 2/2000 Gunnar D15/14
D451,931 S * 12/2001 Abramson D15/14

1 Claim, 7 Drawing Sheets



(56)

References Cited

U.S. PATENT DOCUMENTS

2013/0056028 A1* 3/2013 Ryu A47L 1/03
134/6
2013/0261867 A1* 10/2013 Burnett G05D 1/0272
701/23
2014/0188325 A1* 7/2014 Johnson G05D 1/0227
701/26
2016/0073839 A1* 3/2016 Janzen A47L 11/4061
15/3
2016/0214260 A1* 7/2016 Lee B25J 9/0003
2018/0267528 A1* 9/2018 Ortmann A47L 11/4094

* cited by examiner

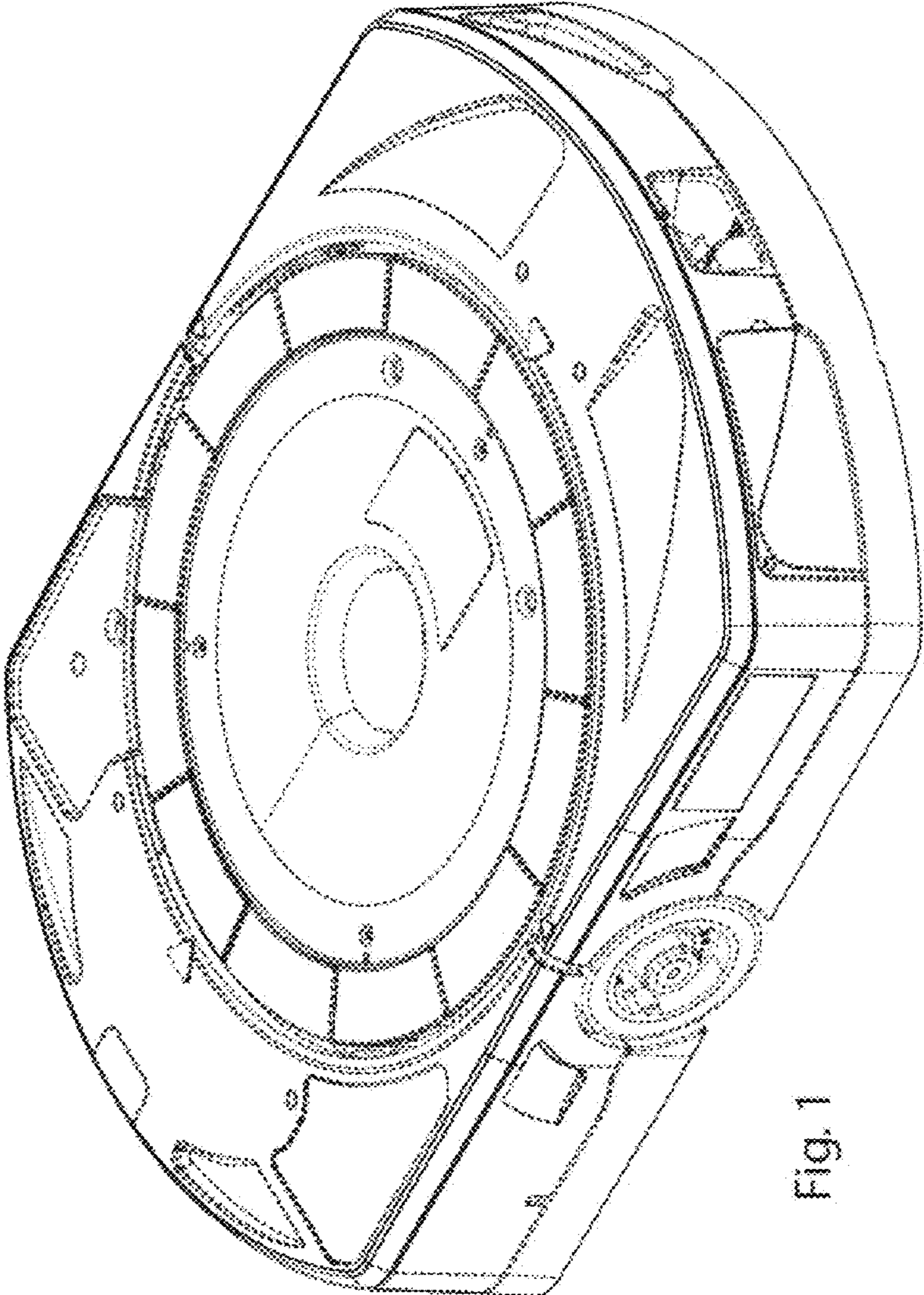


Fig. 1

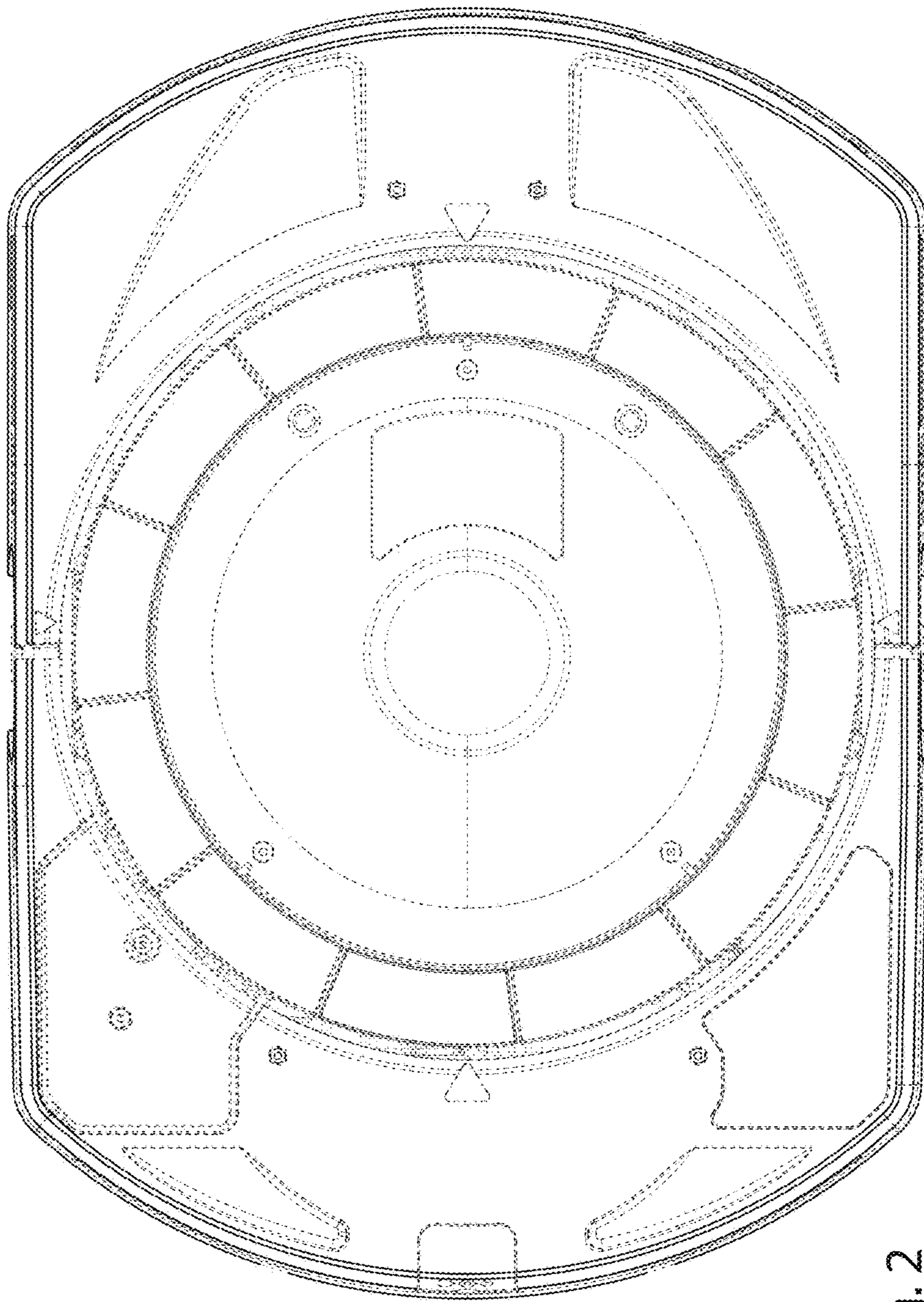


Fig. 2

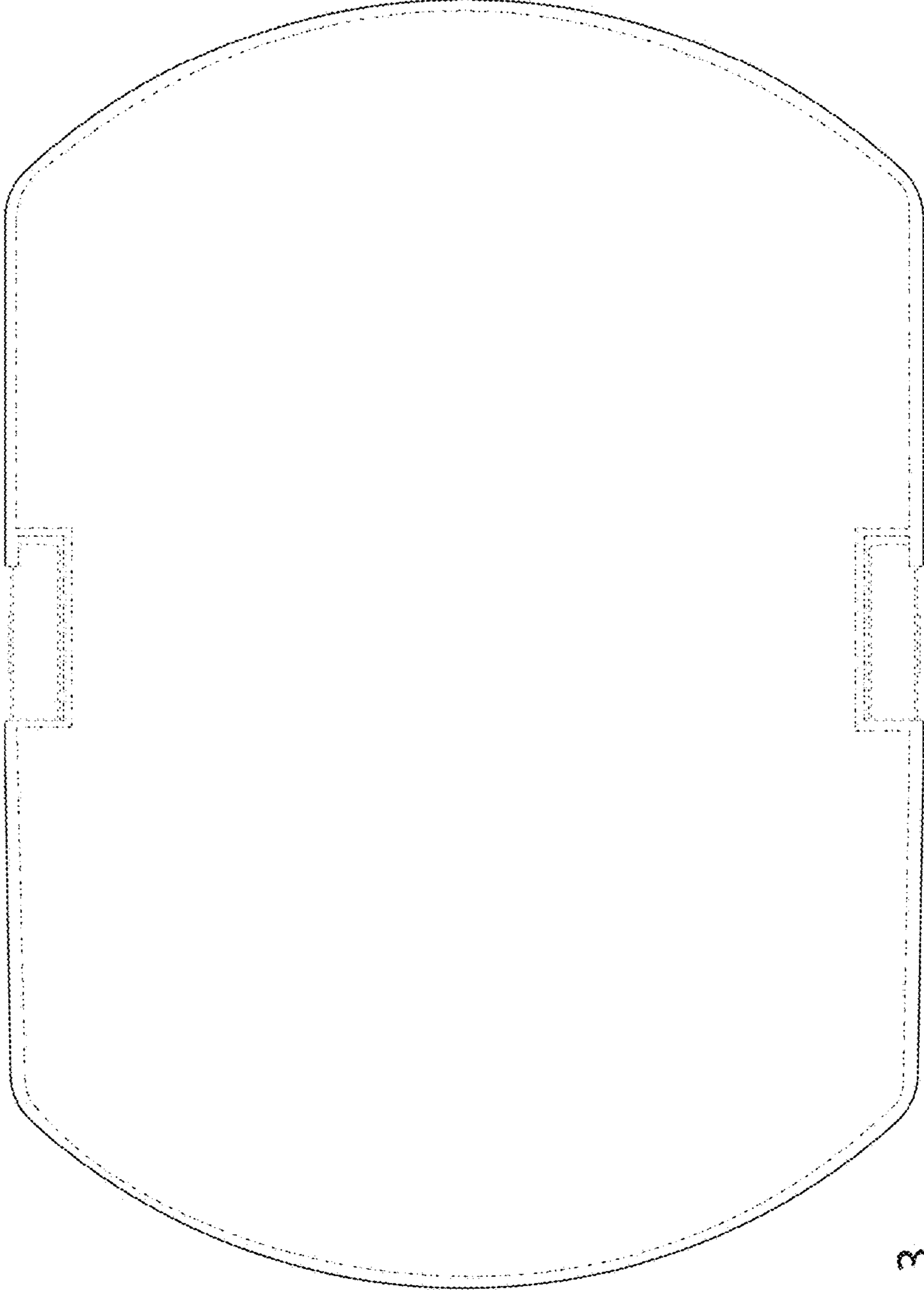


Fig. 3

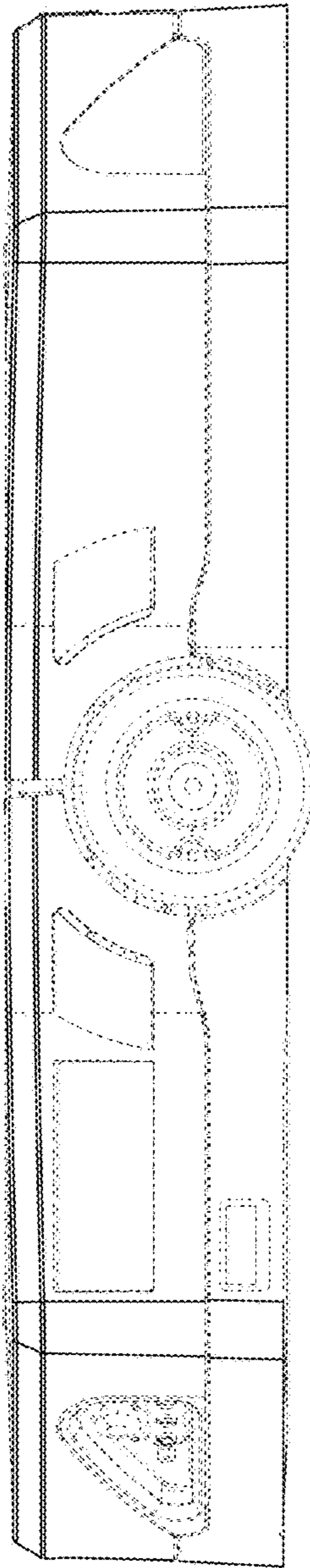


Fig. 4

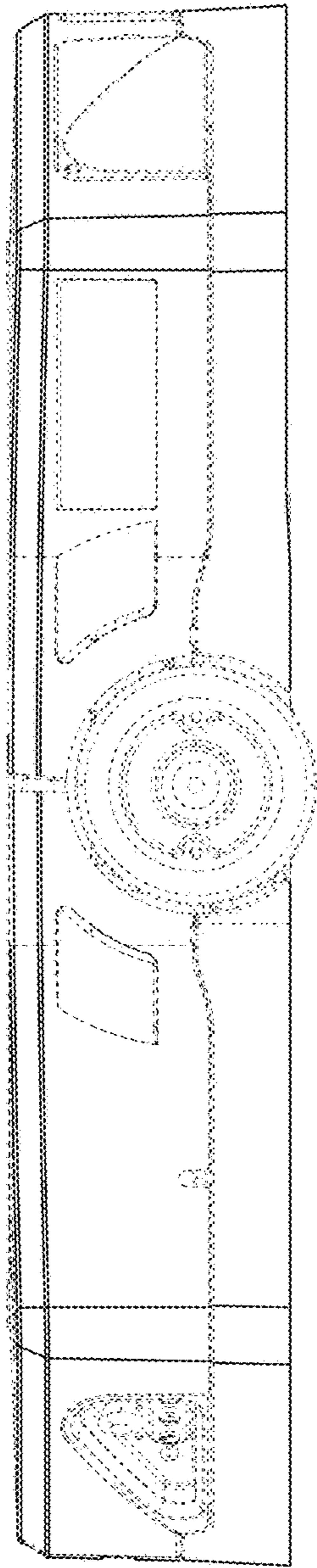


Fig. 5

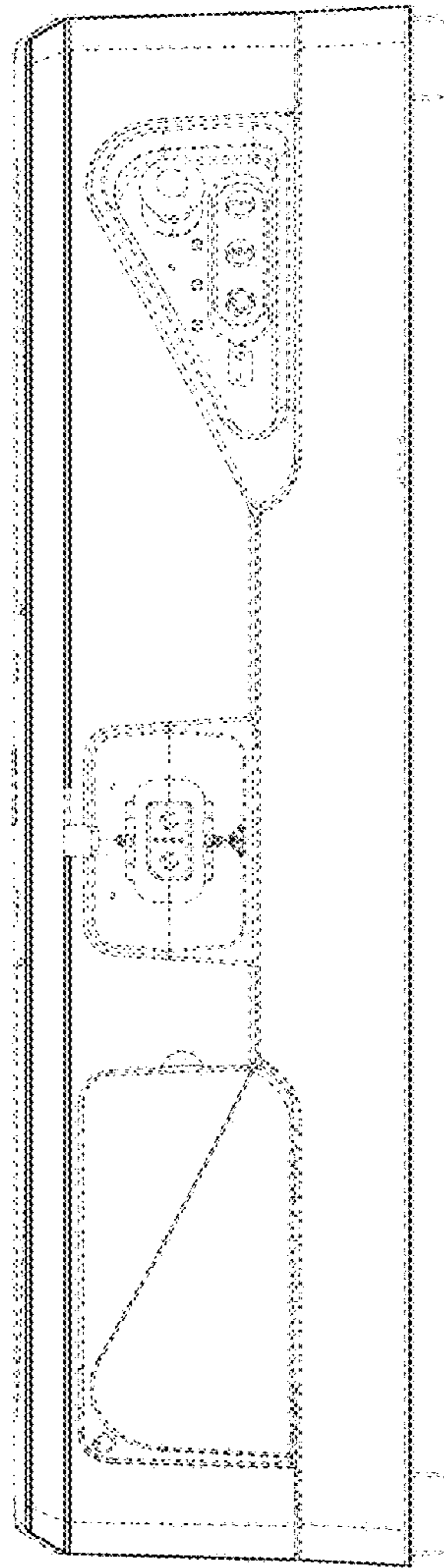


Fig. 6

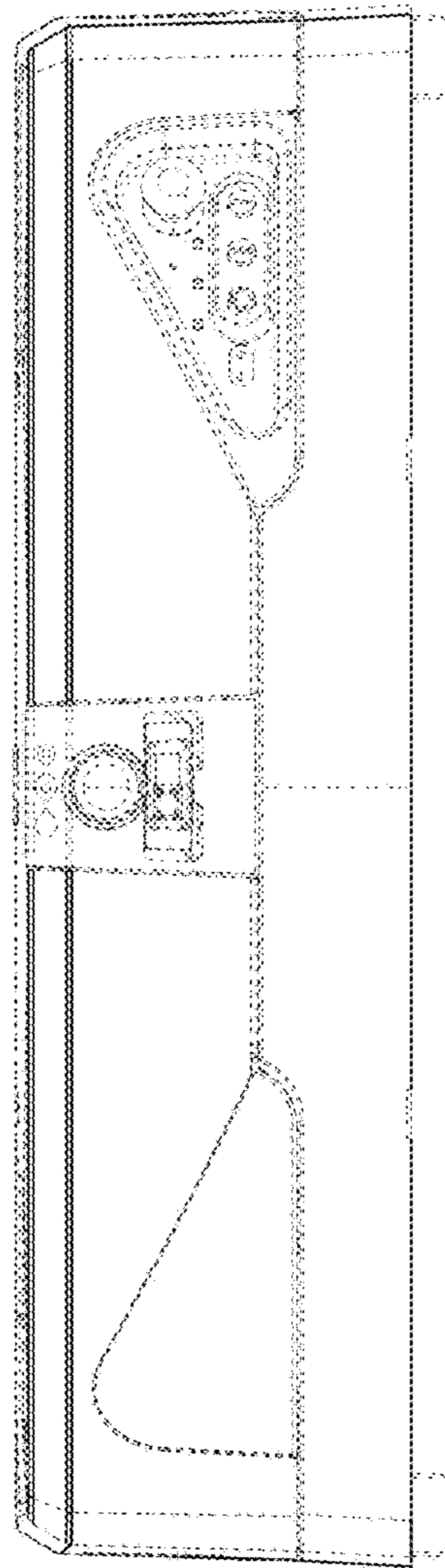


Fig. 7