



US00D855079S

(12) **United States Design Patent** (10) **Patent No.:** **US D855,079 S**  
**Sassi** (45) **Date of Patent:** **\*\* Jul. 30, 2019**

(54) **TENSION DEVICE**

(71) Applicant: **ZETA-SASSI SRL**, Parma (IT)

(72) Inventor: **Lorenzo Sassi**, Parma (IT)

(\*\*) Term: **15 Years**

(21) Appl. No.: **35/504,341**

(22) Filed: **Nov. 10, 2017**

(80) **Hague Agreement Data**

Int. Filing Date: **Nov. 10, 2017**

Int. Reg. No.: **DM/099221**

Int. Reg. Date: **Nov. 10, 2017**

Int. Reg. Pub. Date: **Jan. 26, 2018**

(51) **LOC (11) Cl.** ..... **15-01**

(52) **U.S. Cl.**  
USPC ..... **D15/5**

(58) **Field of Classification Search**  
USPC ..... D8/44; D15/5, 148, 149; D34/33  
CPC ..... F16H 2007/185; F16H 2007/081  
See application file for complete search history.

(56) **References Cited**

**U.S. PATENT DOCUMENTS**

- 5,718,649 A \* 2/1998 Hong ..... F16H 7/1218  
474/101
- 6,458,055 B1 \* 10/2002 Bellamy-Booth .... F16H 7/1281  
474/117
- D596,824 S \* 7/2009 Mitas ..... D34/33
- D659,341 S \* 5/2012 Gillis ..... D34/33
- 9,005,061 B2 \* 4/2015 Liebel ..... F16H 7/10  
474/112

- D809,019 S \* 1/2018 Armstrong ..... D15/5
- 9,890,837 B1 \* 2/2018 Martinez ..... F16H 7/0831
- 2002/0039944 A1 \* 4/2002 Ali ..... F16H 7/1209  
474/135
- 2002/0119850 A1 \* 8/2002 Dutil ..... F16H 7/1218  
474/135
- 2005/0282668 A1 \* 12/2005 Ali ..... F16H 7/1218  
474/101
- 2006/0240922 A1 \* 10/2006 Pendergrass ..... F16H 7/1281  
474/102
- 2010/0081529 A1 \* 4/2010 Liebel ..... F16H 7/1218  
474/133
- 2010/0137084 A1 \* 6/2010 Mevissen ..... F16H 7/1218  
474/135
- 2014/0287860 A1 \* 9/2014 Ma ..... F16H 7/1218  
474/135
- 2015/0031485 A1 \* 1/2015 Lindstrom ..... F16H 7/1218  
474/135
- 2018/0038457 A1 \* 2/2018 Basile ..... F16H 7/1281

\* cited by examiner

*Primary Examiner* — Deanna L Pratt

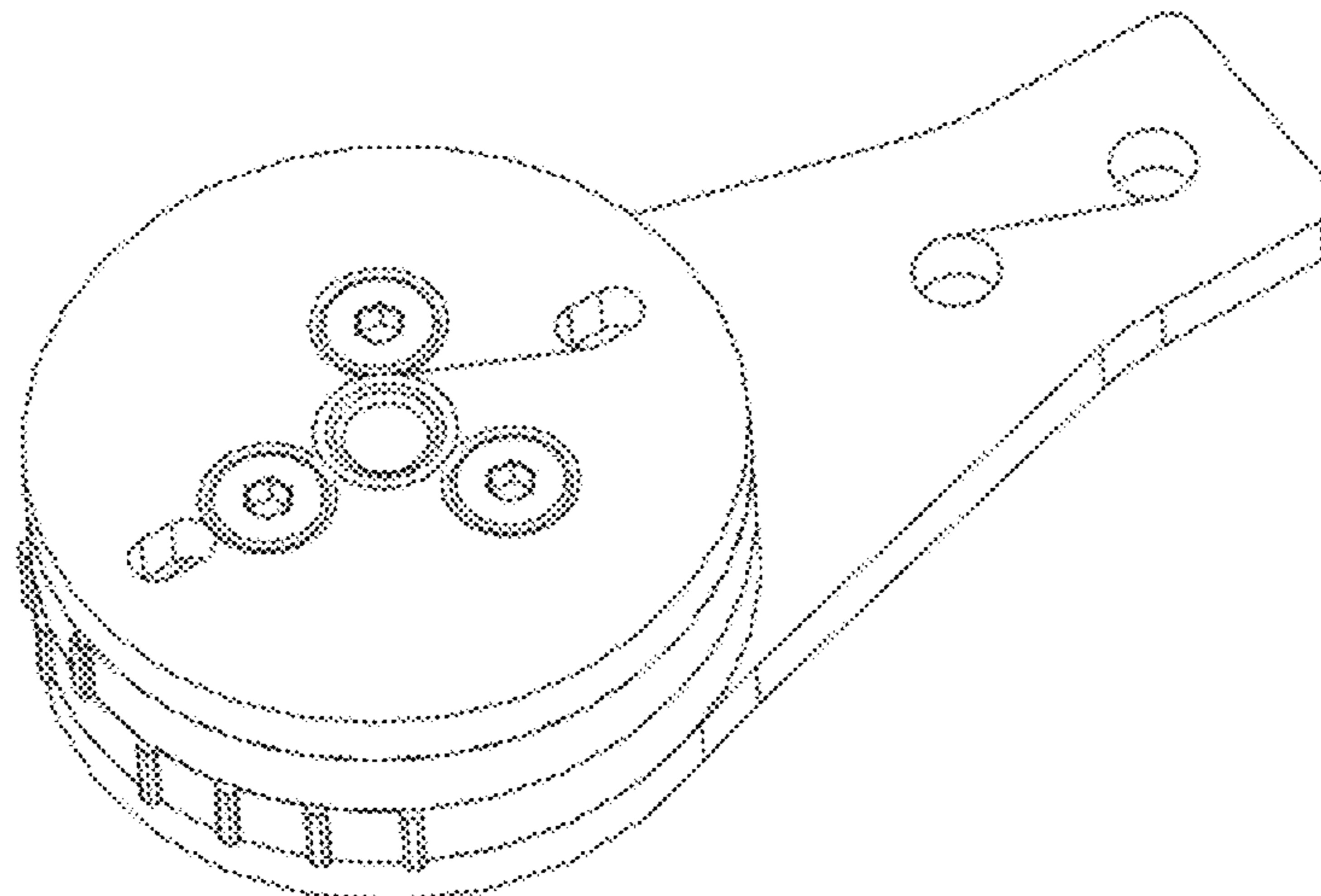
(57) **CLAIM**

The ornamental design for a tension device, as shown and described.

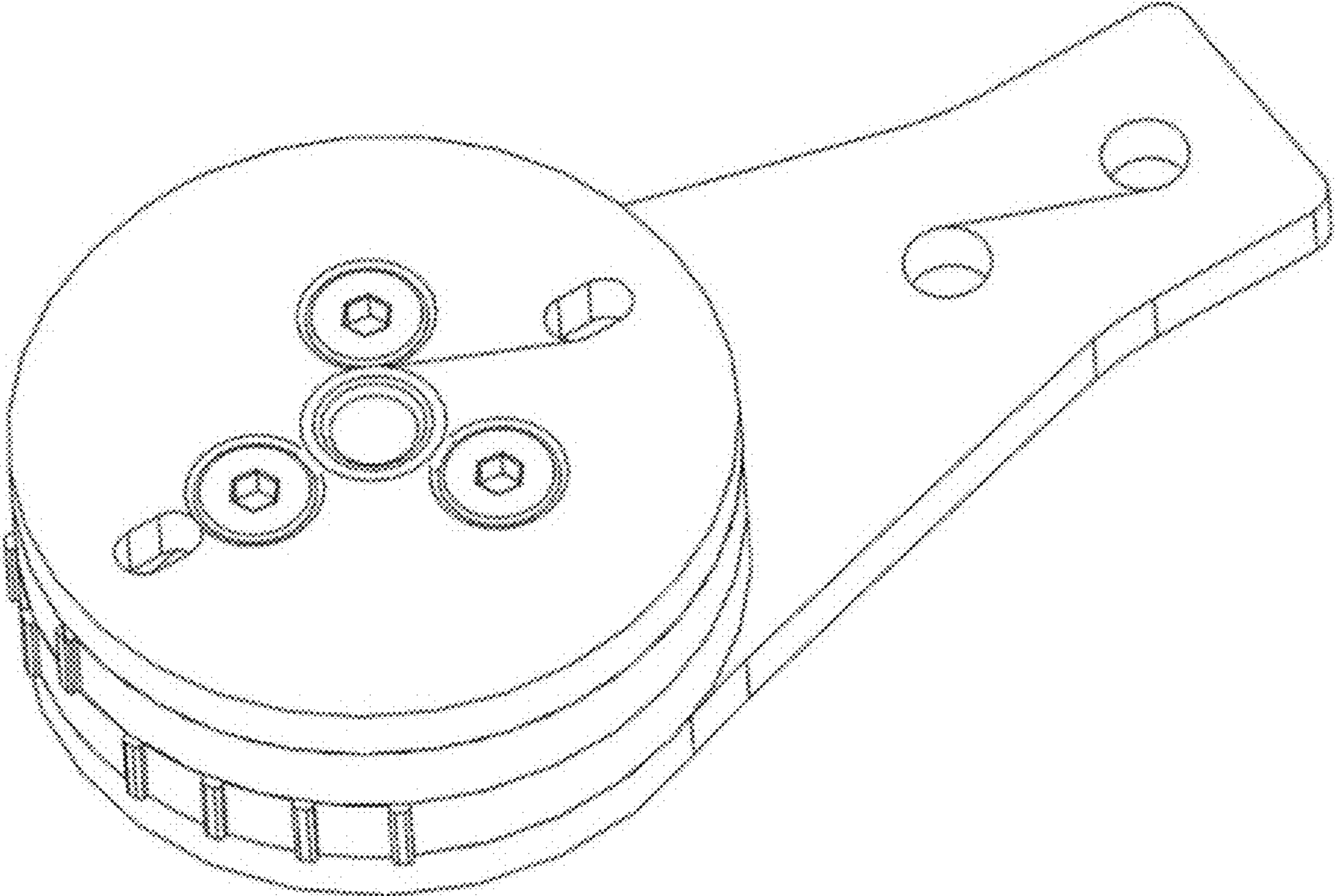
**DESCRIPTION**

- 1. Tension device
- 1.1 : Perspective
- 1.2 : Top
- 1.3 : Bottom
- 1.4 : Front
- 1.5 : Back
- 1.6 : Left
- 1.7 : Right

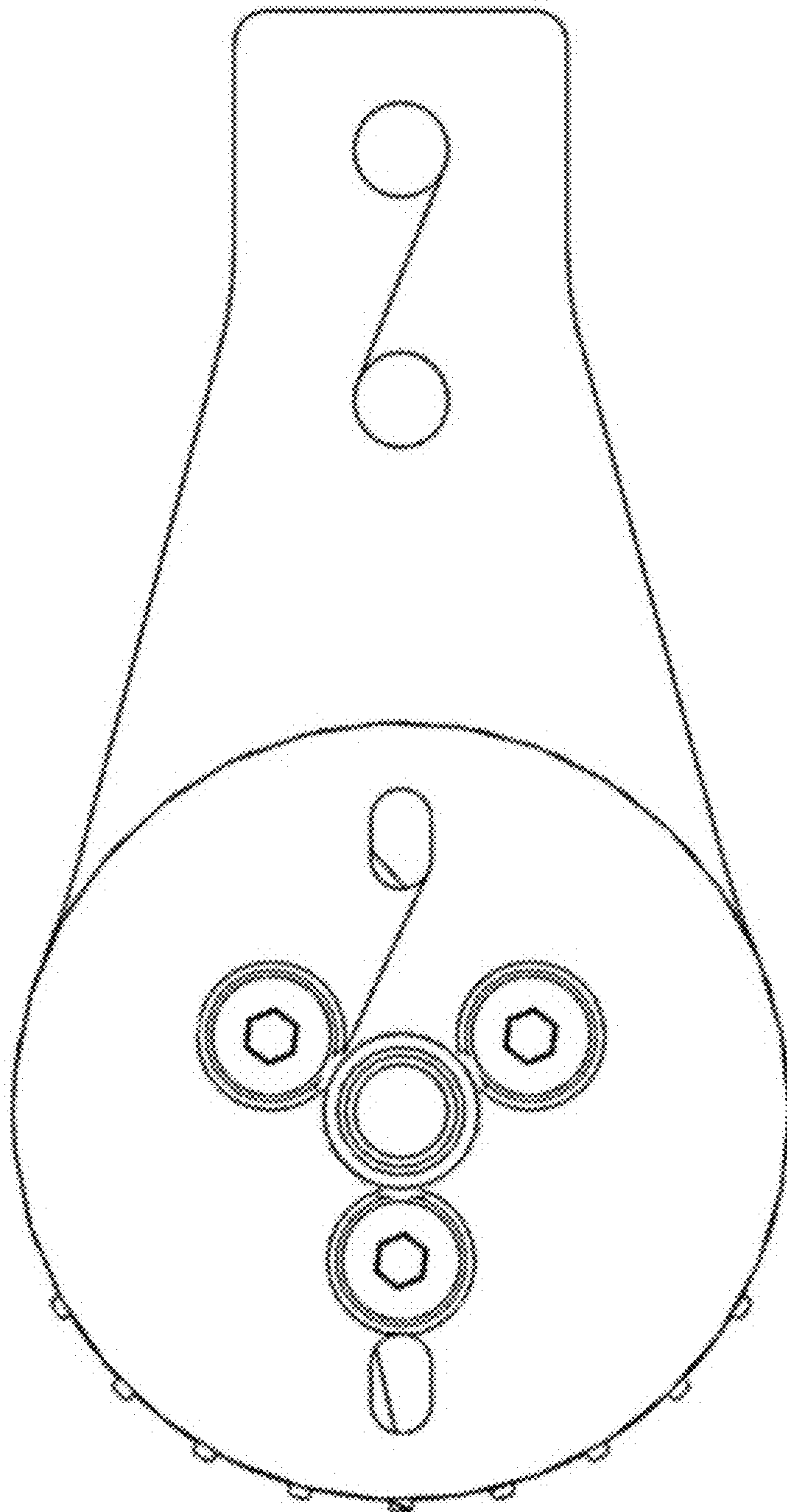
**1 Claim, 7 Drawing Sheets**



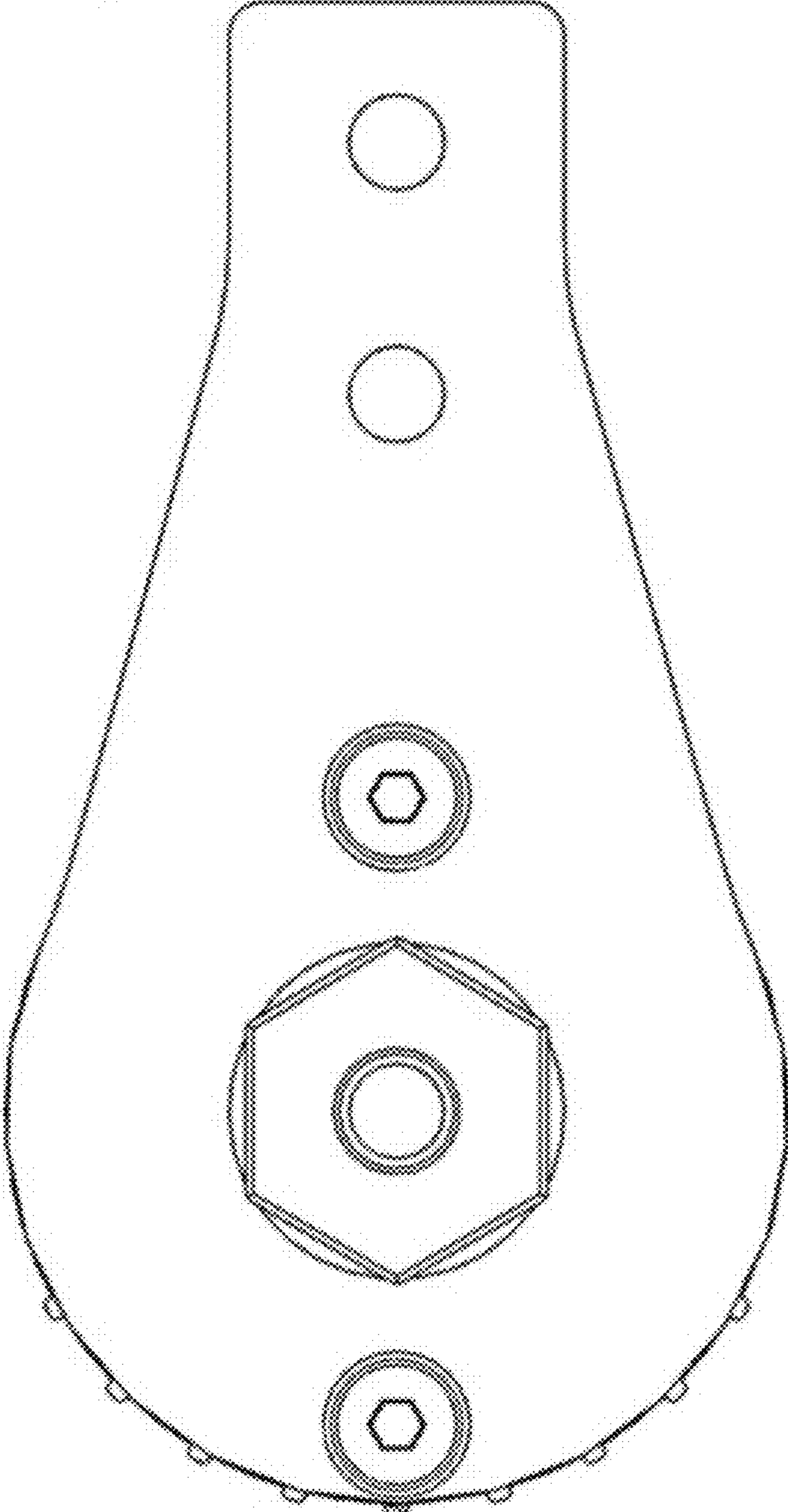
1.1



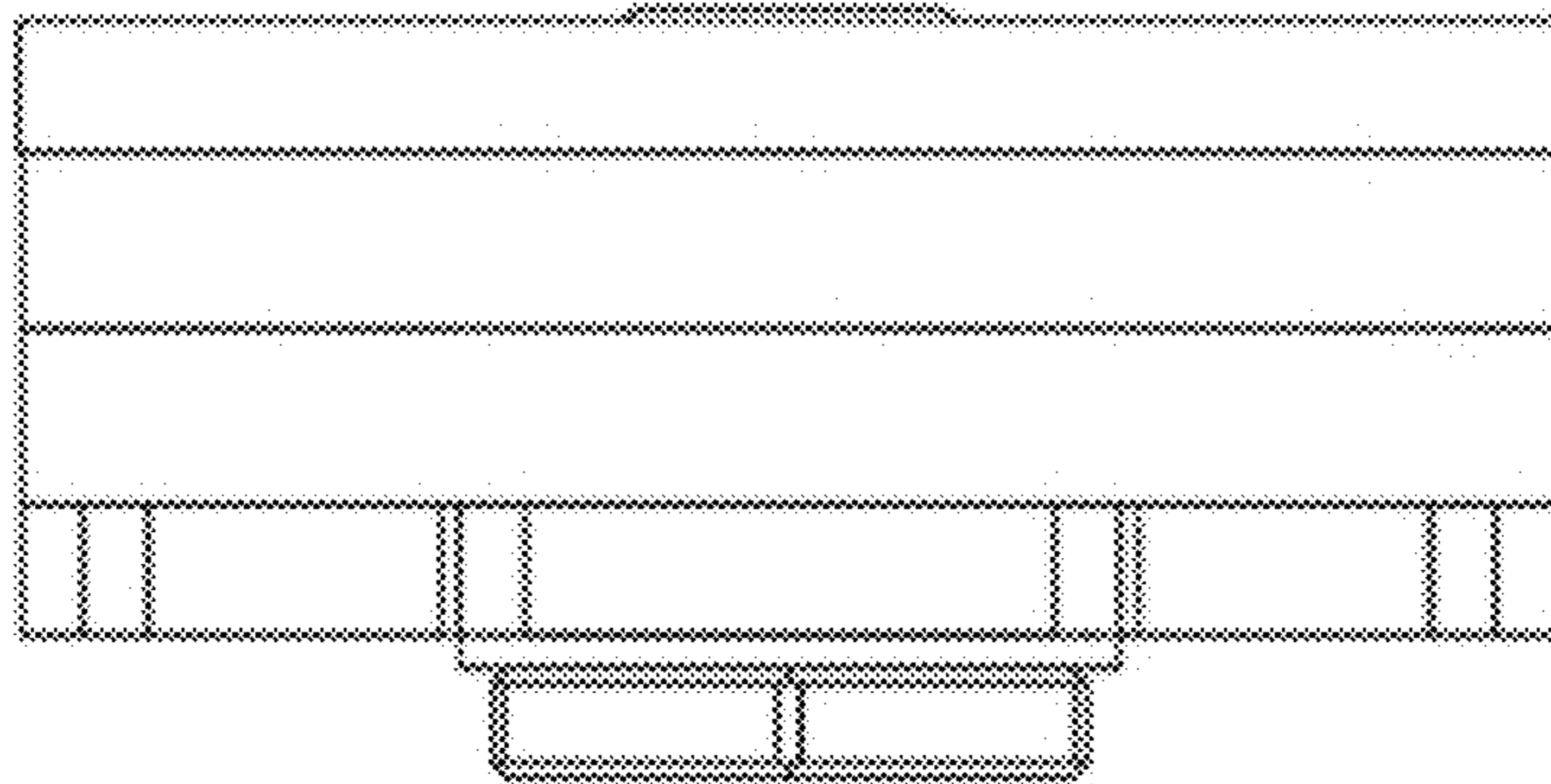
1.2



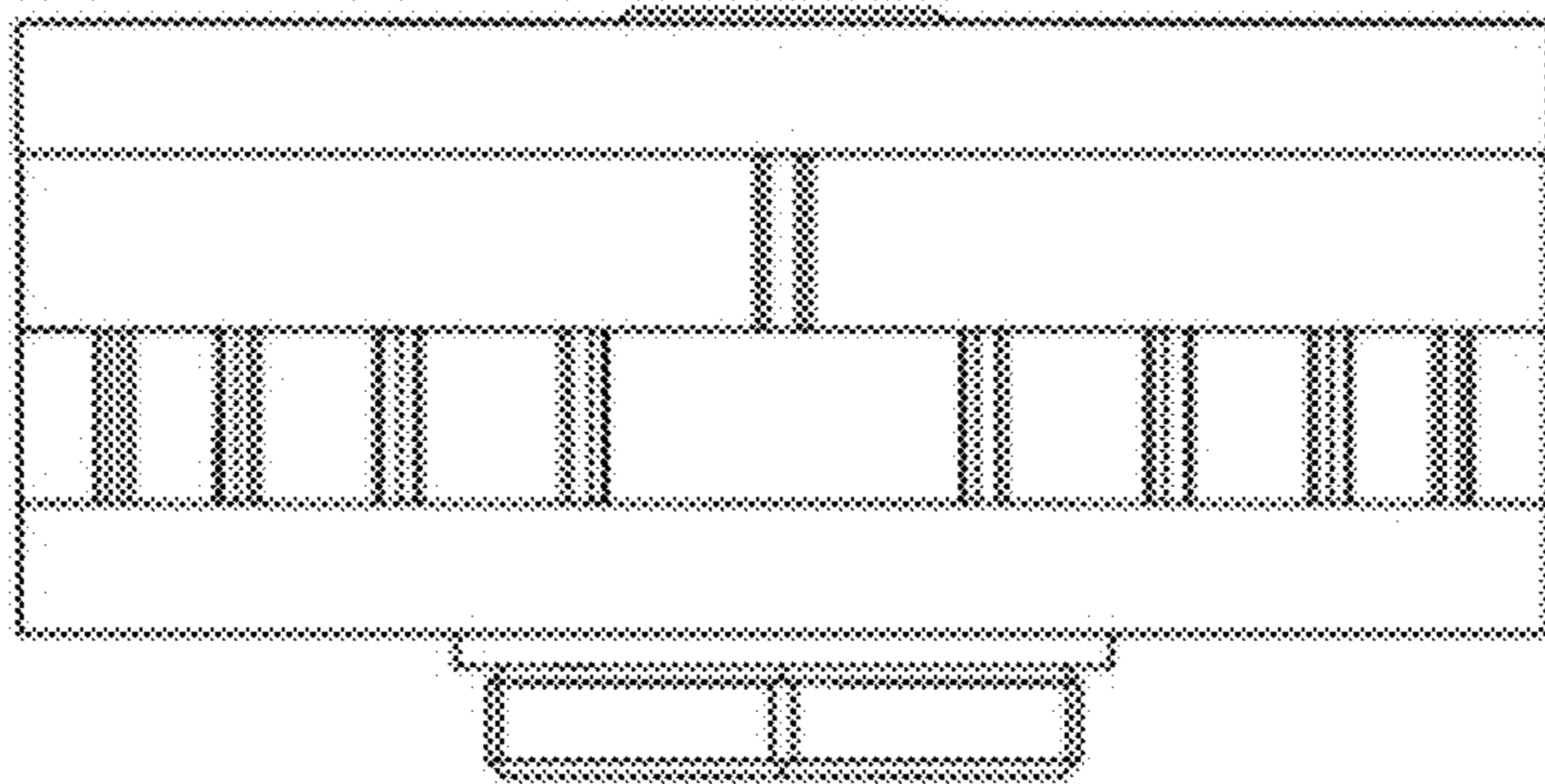
1.3



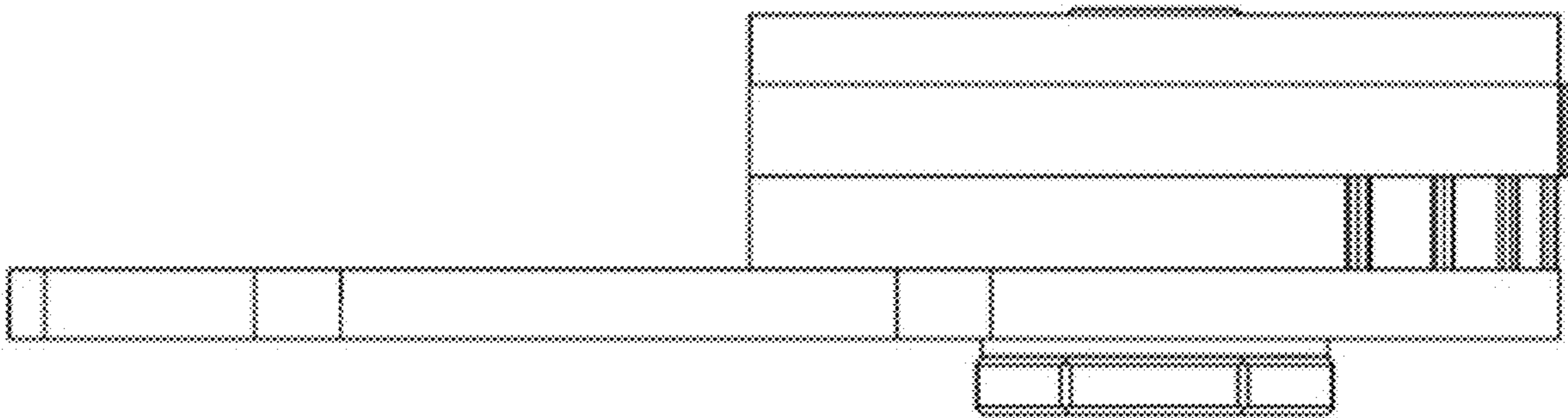
1.4



1.5



1.6



1.7

