



US00D855078S

(12) **United States Design Patent**
Johnson

(10) **Patent No.:** **US D855,078 S**

(45) **Date of Patent:** **** Jul. 30, 2019**

- (54) **PORTABLE SOUND MACHINE**
- (71) Applicant: **London Johnson, Inc.**, Fishersville, VA (US)
- (72) Inventor: **Brian P. Johnson**, Fishersville, VA (US)
- (73) Assignee: **London Johnson, Inc.**, Dallas, TX (US)

D710,824 S *	8/2014	Mackiewicz	D14/214
D714,249 S *	9/2014	Carney	D14/140
D725,624 S *	3/2015	Carney	D14/140
D755,160 S *	5/2016	Ponce	D14/214
D756,957 S *	5/2016	Nylen	D14/204
D766,456 S *	9/2016	Luc	D24/231
D768,607 S *	10/2016	Altonen	D14/240
D819,607 S *	6/2018	Chui	D14/225
D824,365 S *	7/2018	Vogt, Jr.	D14/214
D827,606 S *	9/2018	Johnson	D14/204
D835,068 S *	12/2018	Chen	D14/214

(**) Term: **15 Years**

(21) Appl. No.: **29/608,862**

(22) Filed: **Jun. 26, 2017**

(51) **LOC (11) Cl.** **14-01**

(52) **U.S. Cl.**
USPC **D14/496**; D14/172; D14/214

(58) **Field of Classification Search**
USPC D14/125, 137, 140–140.9, 155, 159, 160, D14/167, 168, 172, 188, 194, 203.1, D14/203.6, 204, 209.1, 217, 221, D14/225–229, 240, 242, 299, 248, 249, D14/356–358, 432, 433, 474, 496, 497, D14/506, 509, 154, 157, 158, 185–186, D14/214, 222, 224, 243, 259, 500, 501, D14/507

CPC H04R 1/02; H04R 1/025; H04R 1/026; H04R 1/323; H04R 1/403; H04R 1/2803; H04R 1/2834; H04R 3/00; H04R 5/02; H04R 9/06; H04R 11/02; H04R 19/02; H04R 2201/021; H04R 2400/00; H04R 2400/07; H04R 2499/11

See application file for complete search history.

(56) **References Cited**

U.S. PATENT DOCUMENTS

D387,764 S *	12/1997	Ross, Sr.	D14/214
D534,523 S *	1/2007	Kang	D14/214

OTHER PUBLICATIONS

Big Red Rooster Portable White Noise Sound Machine, amazon online, first review post date Dec. 14, 2017, <URL: <https://www.amazon.com/Big-Red-Rooster-BRRC112-Portable/dp/B074F3Z3L5> >, retrieved Dec. 12, 2018.*

* cited by examiner

Primary Examiner — Jeffrey D Asch

Assistant Examiner — Rebekah A Caruso

(74) *Attorney, Agent, or Firm* — Perkins Coie LLP

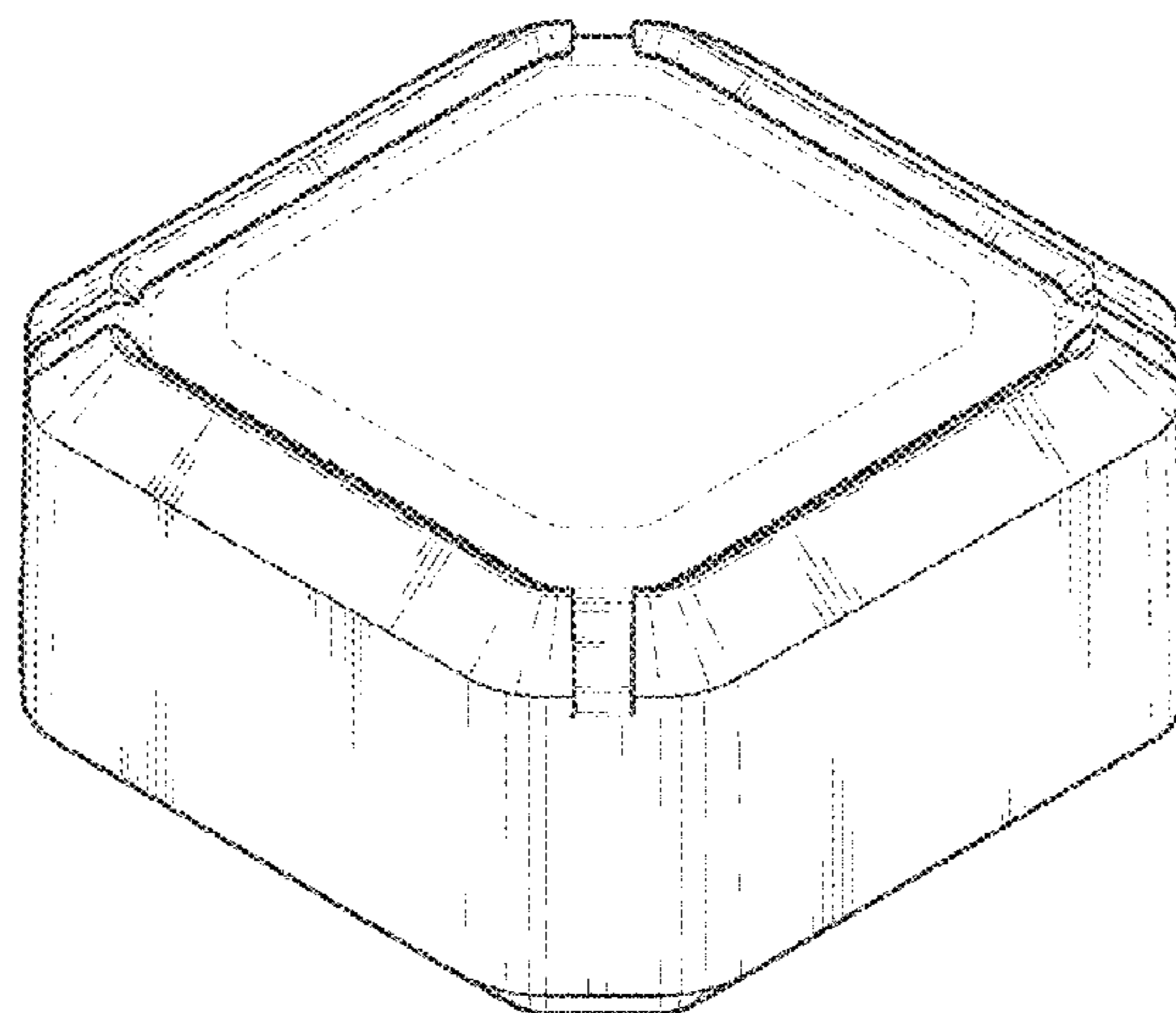
(57) **CLAIM**

The ornamental design for a portable sound machine, as shown and described.

DESCRIPTION

FIG. 1 is a perspective view of a portable sound machine showing my design, as viewed from the top and front. FIG. 2 is a back profile view thereof. FIG. 3 is a front profile view thereof. FIG. 4 is a first side profile view thereof. FIG. 5 is an opposite second side profile view thereof. FIG. 6 is a top plan view thereof; and, FIG. 7 is a bottom plan view thereof. The details shown in broken lines illustrate features that form no part of the claimed designs.

1 Claim, 3 Drawing Sheets



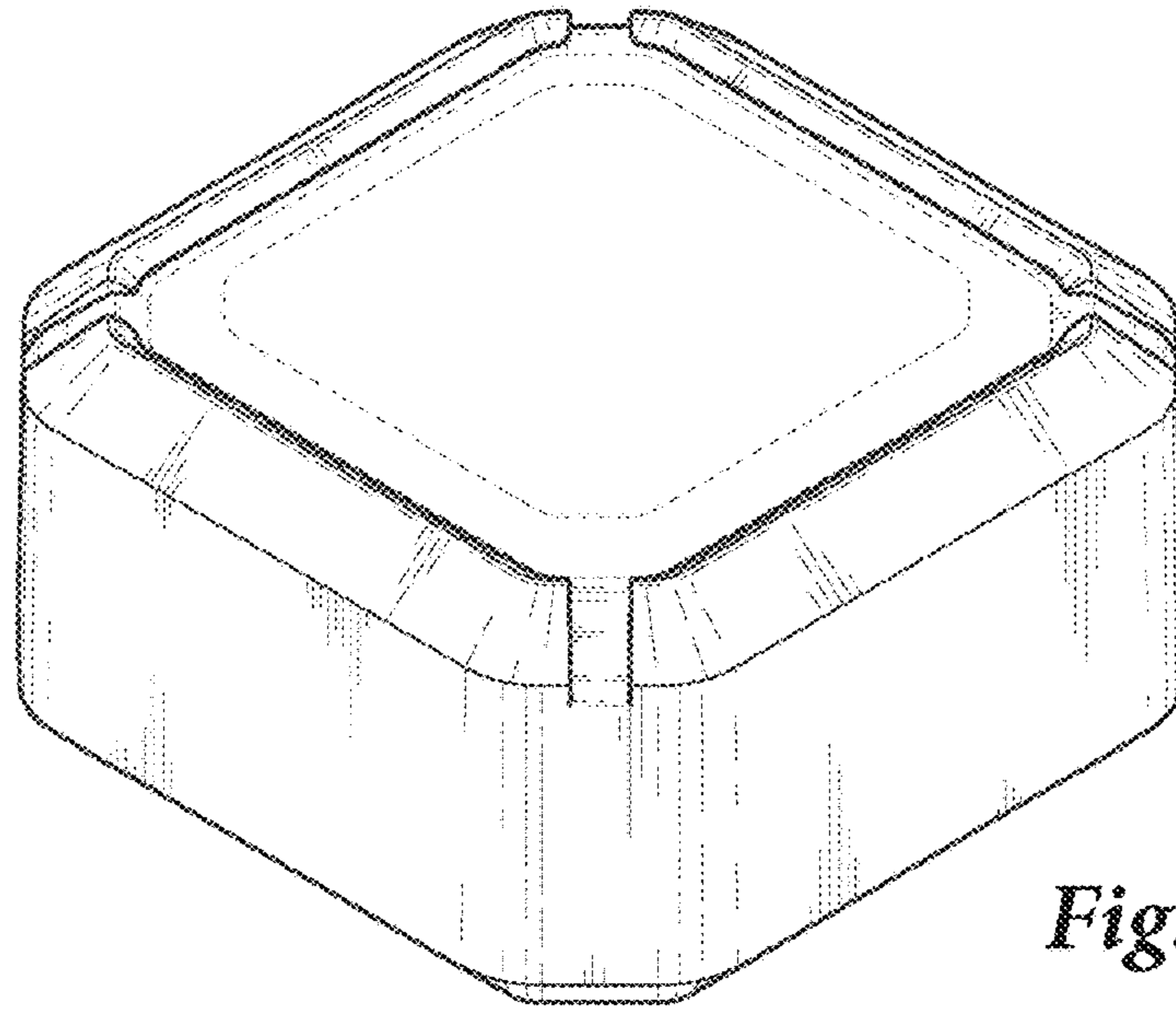


Fig. 1

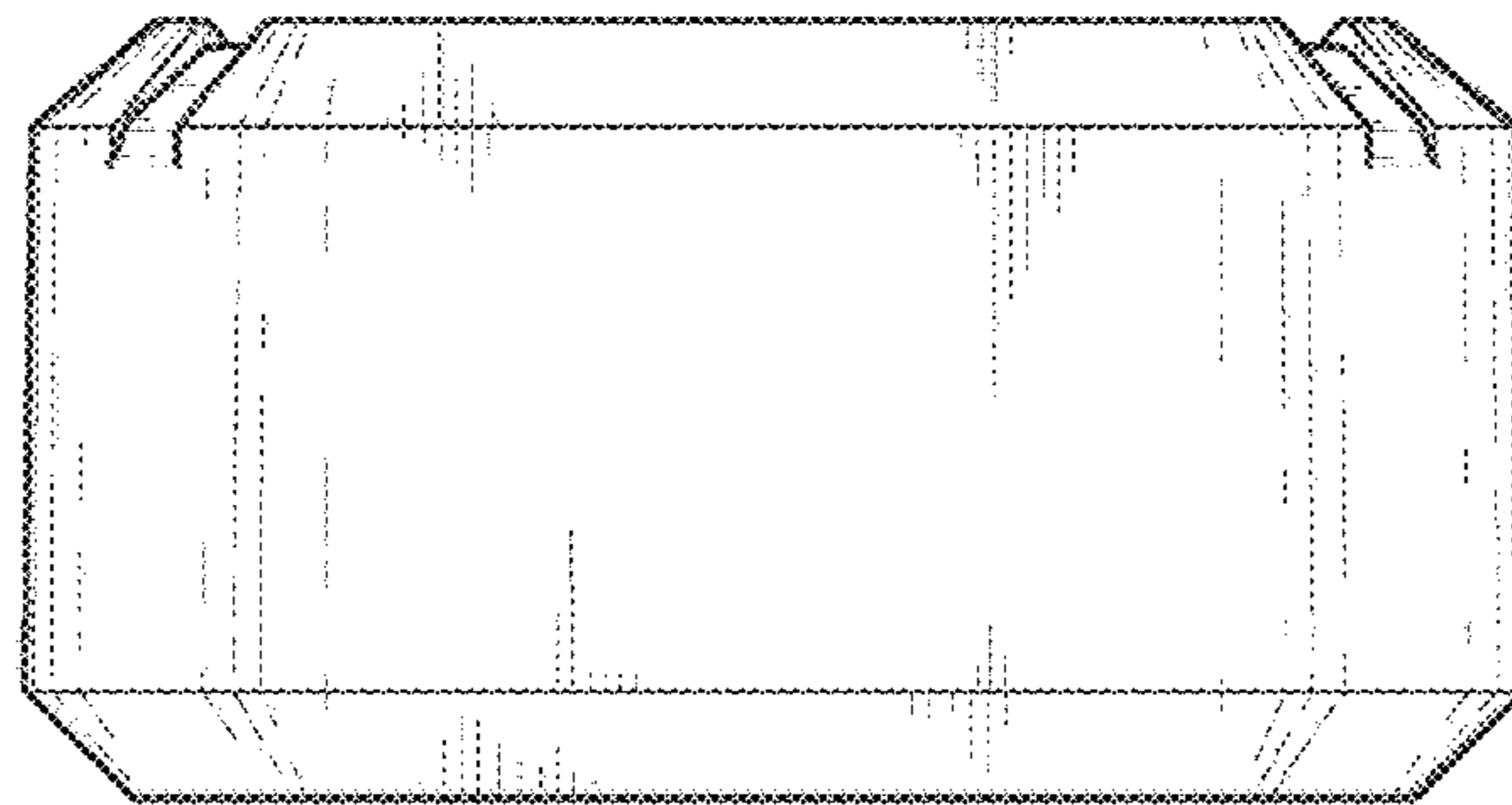


Fig. 2

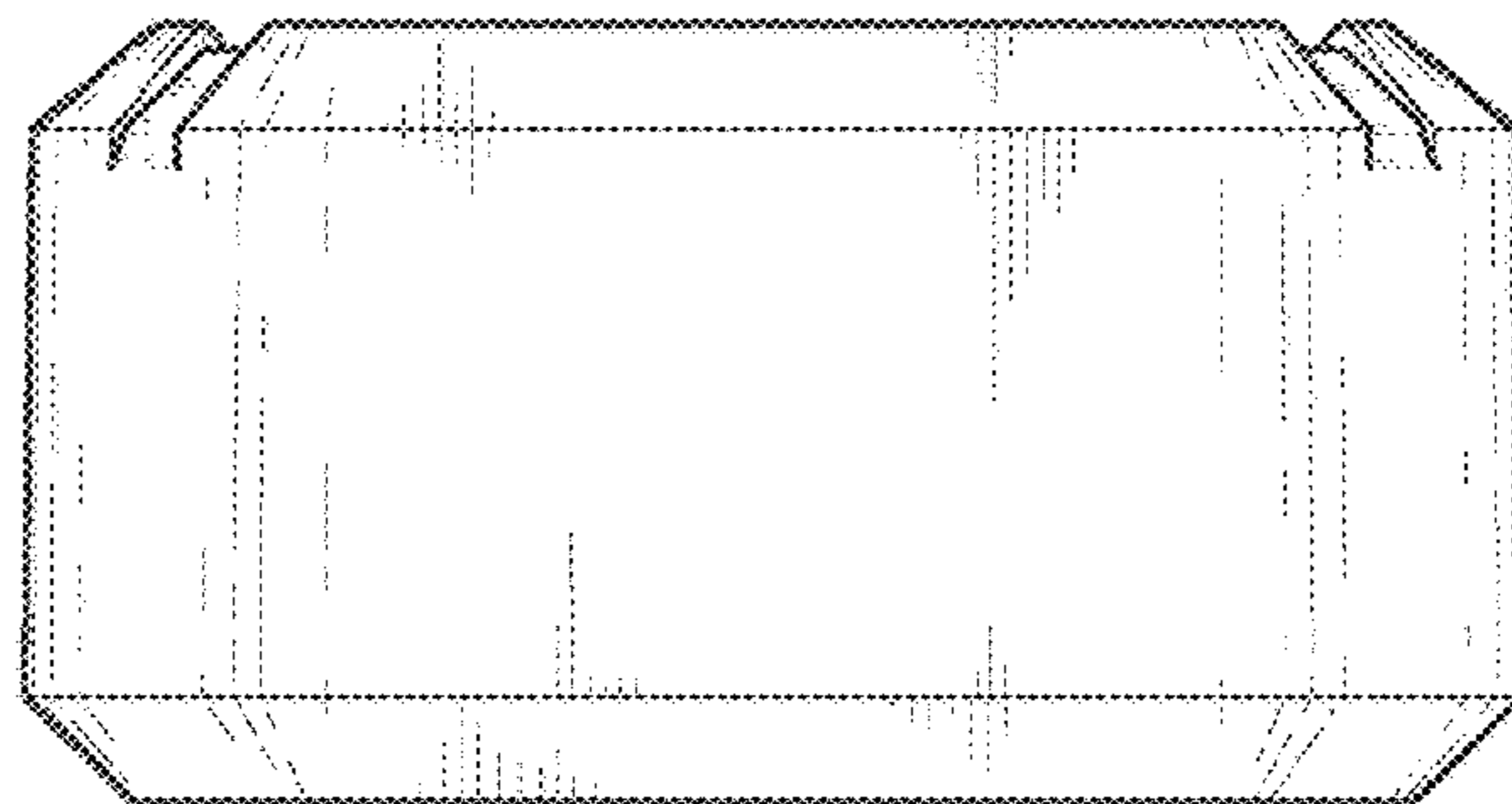


Fig. 3

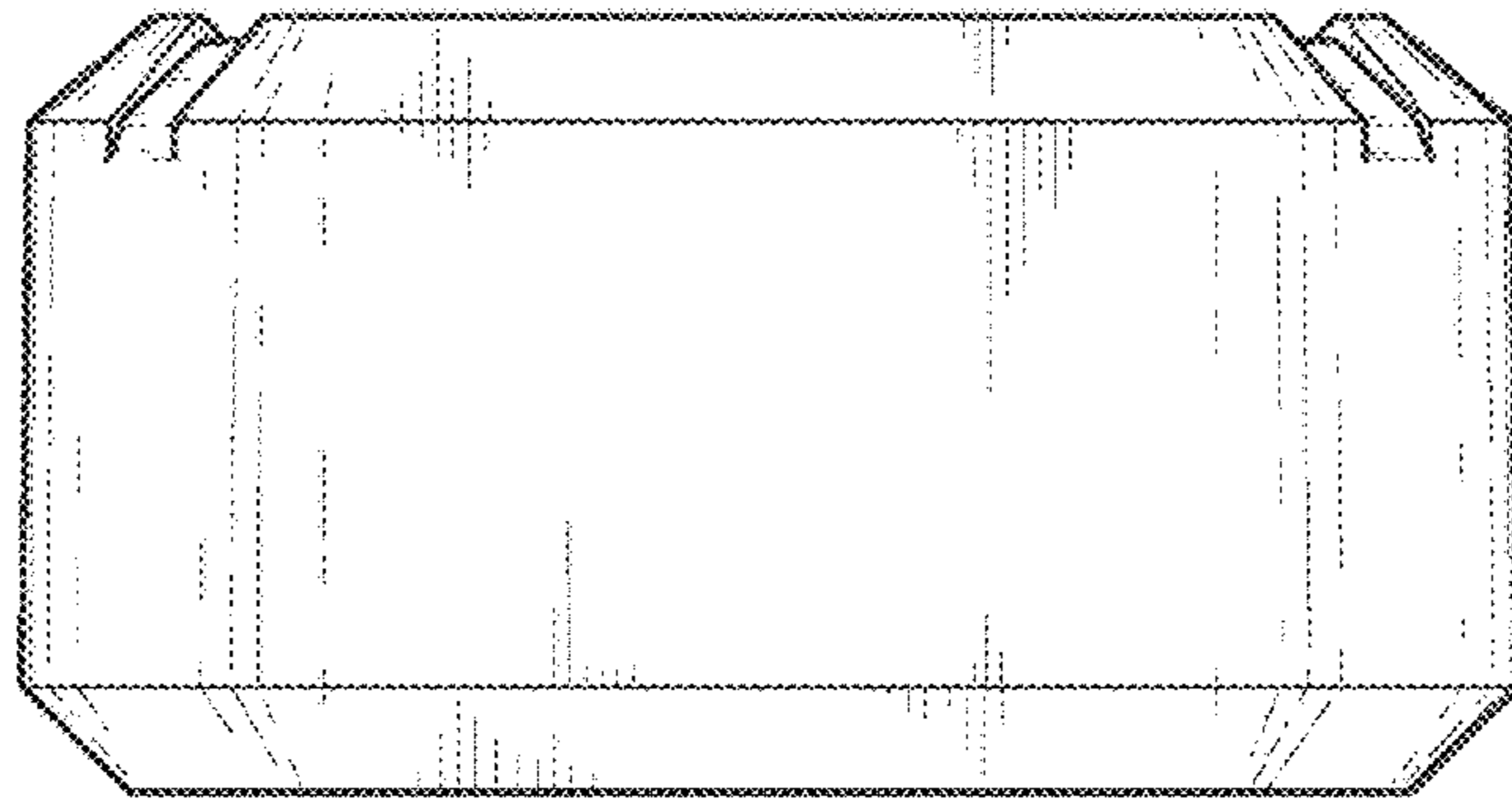


Fig. 4

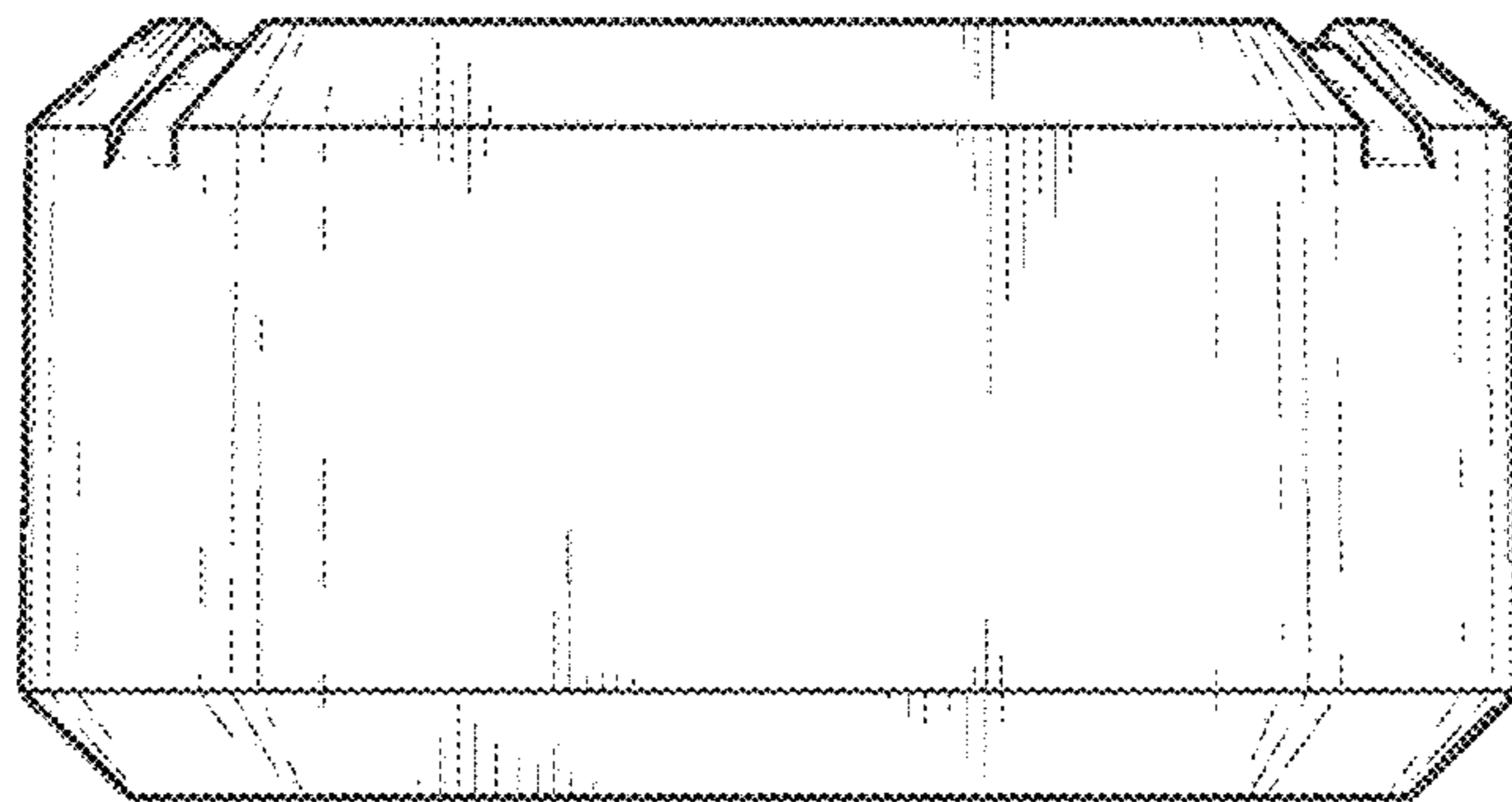


Fig. 5

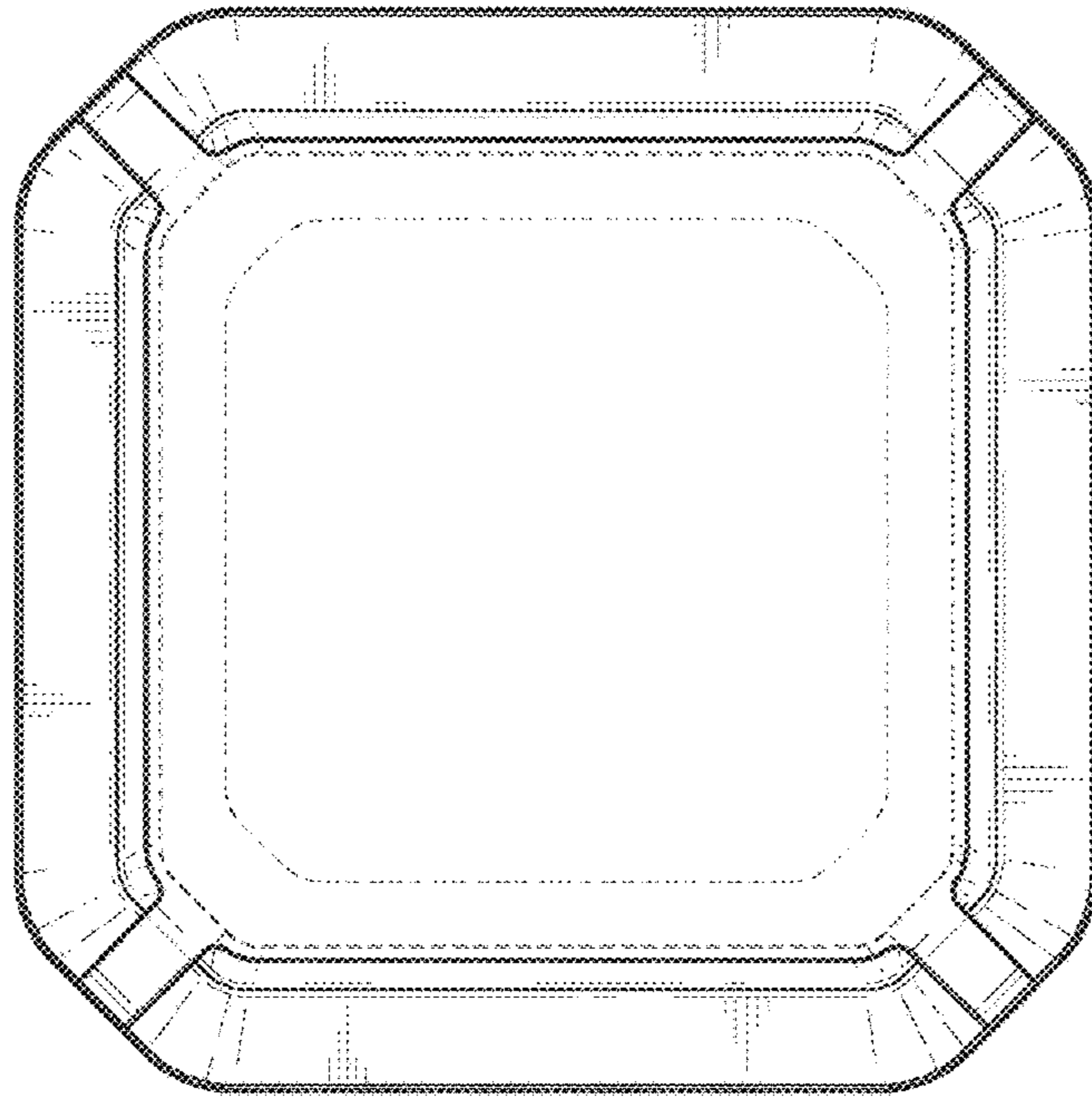


Fig. 6

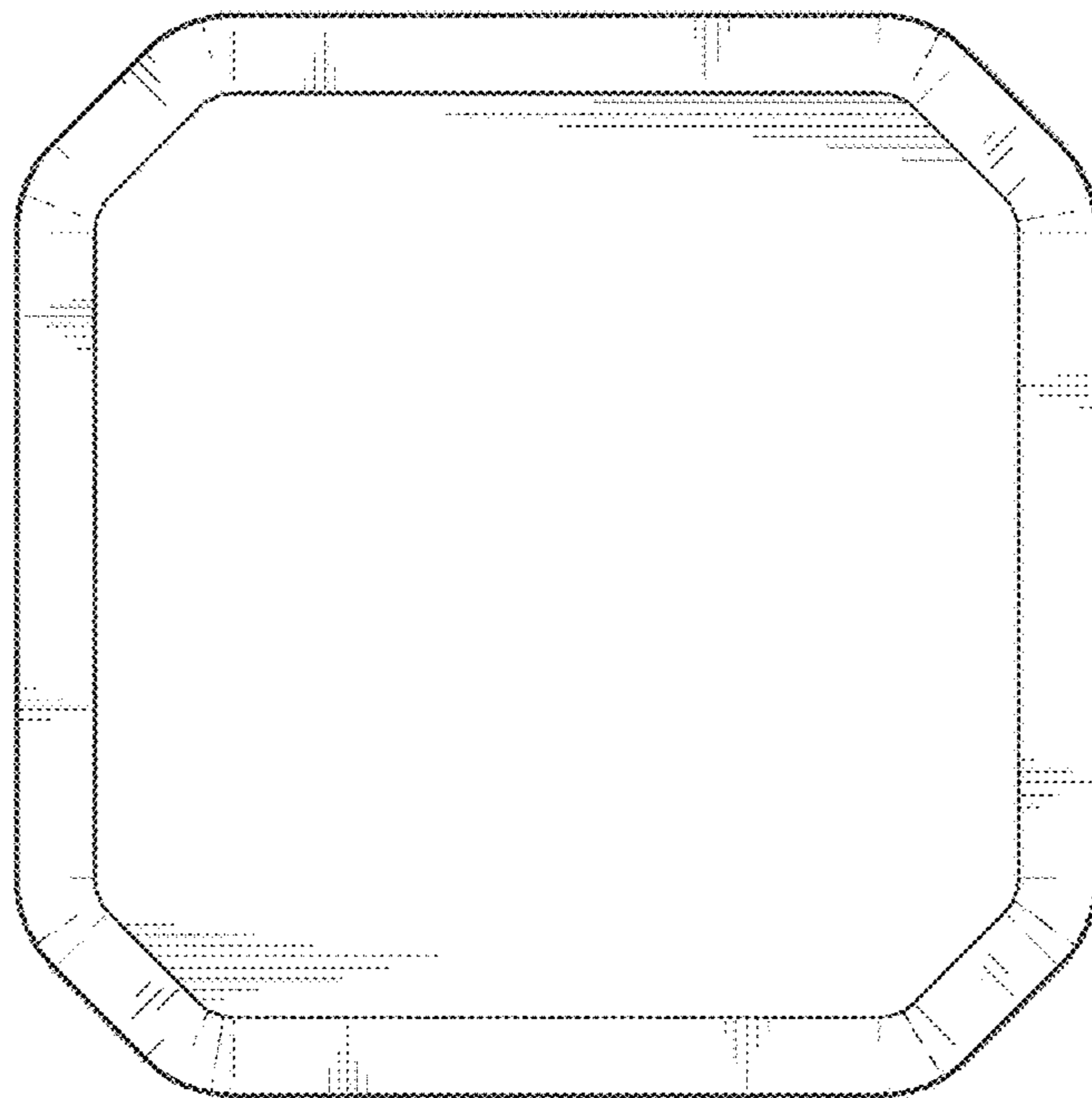


Fig. 7