



US00D855058S

(12) **United States Design Patent**  
**Cebe**

(10) **Patent No.:** **US D855,058 S**

(45) **Date of Patent:** **\*\* Jul. 30, 2019**

(54) **ACCESSORY JACKET**

(71) Applicant: **HEWLETT-PACKARD  
DEVELOPMENT COMPANY, L.P.,**  
Houston, TX (US)

(72) Inventor: **Chrome Manley Cebe, Seattle, WA**  
(US)

(73) Assignee: **Hewlett-Packard Development  
Company, L.P., Spring, TX (US)**

(\*\*) Term: **15 Years**

(21) Appl. No.: **29/667,623**

(22) Filed: **Oct. 23, 2018**

(51) **LOC (11) Cl.** ..... **14-02**

(52) **U.S. Cl.**  
USPC ..... **D14/440**

(58) **Field of Classification Search**  
USPC ..... D14/440, 250, 447; 206/45.23, 320,  
206/45.2; 361/679.55; 294/25; 224/218  
CPC ... G06F 1/1628; G06F 1/1626; A47B 23/044;  
H04B 1/3888  
See application file for complete search history.

(56) **References Cited**

**U.S. PATENT DOCUMENTS**

D733,154 S \* 6/2015 Armstrong ..... D14/440  
D763,853 S \* 8/2016 Pearce ..... D14/440  
D790,550 S \* 6/2017 Chen ..... D14/440  
D803,221 S \* 11/2017 Guo ..... D14/440  
D806,080 S \* 12/2017 Chen ..... D14/440

D807,369 S \* 1/2018 Chen ..... D14/440  
D808,973 S \* 1/2018 Chen ..... D14/440  
D811,412 S \* 2/2018 McCurdy ..... D14/440  
D812,620 S \* 3/2018 Cheng ..... D14/440  
D831,659 S \* 10/2018 Gao ..... D14/440  
2012/0075799 A1\* 3/2012 Pollex ..... F16M 11/041  
361/679.56

\* cited by examiner

*Primary Examiner* — Cynthia R Underwood

(74) *Attorney, Agent, or Firm* — Foley & Lardner LLP

(57) **CLAIM**

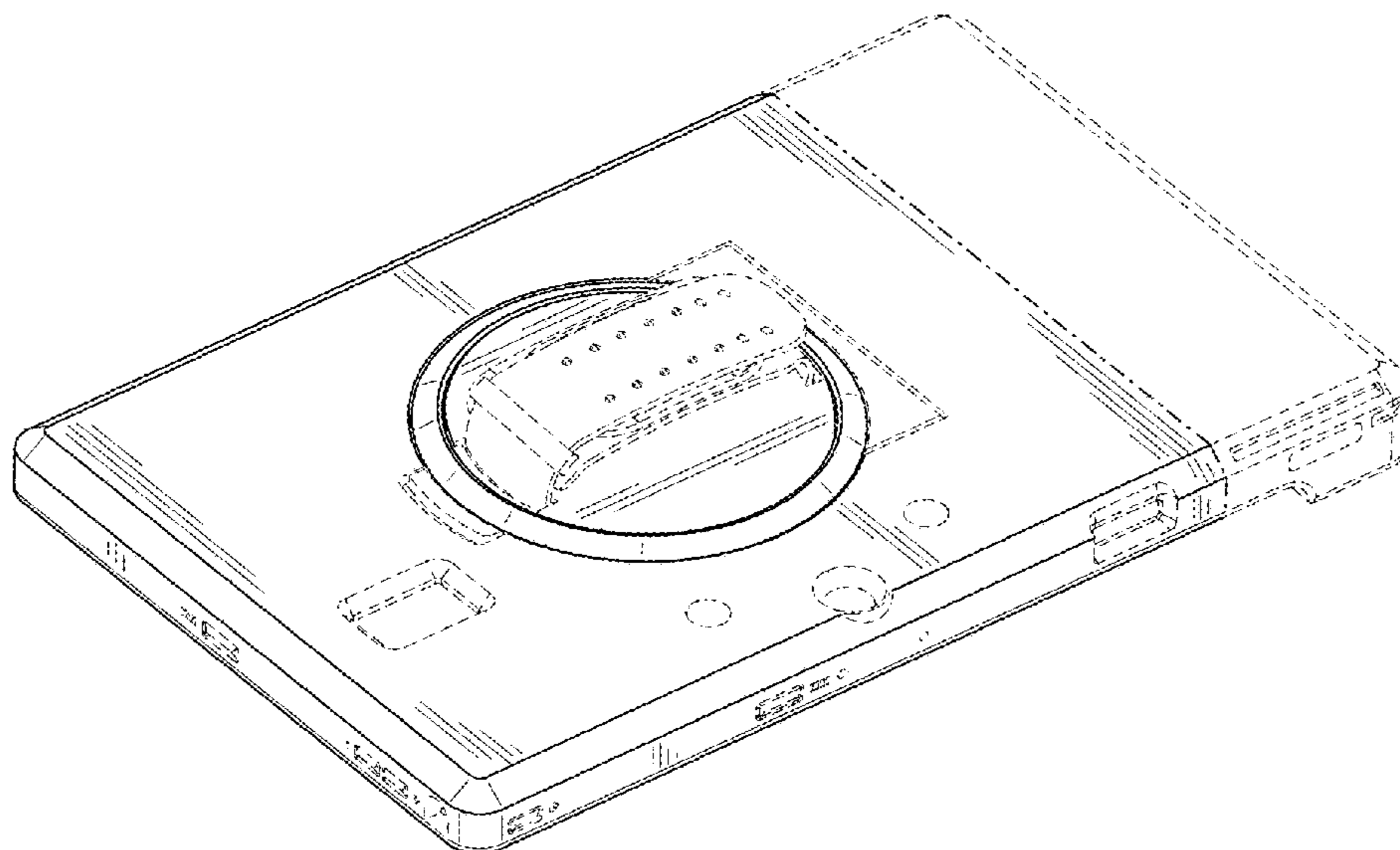
I claim the ornamental design for an accessory jacket, as shown and described.

**DESCRIPTION**

FIG. 1 is a bottom, rear, left perspective view of an embodiment of the claimed design;  
FIG. 2 is a bottom plan view thereof;  
FIG. 3 is a top plan view thereof;  
FIG. 4 is a front elevation view thereof;  
FIG. 5 is a rear elevation view thereof;  
FIG. 6 is a right side elevation view thereof; and,  
FIG. 7 is a left side elevation view thereof.

The ornamental design which is claimed is shown in solid lines in the drawings. The broken lines in the drawings are for illustrative purposes only and form no part of the claimed design. Broken lines formed by equal length dashes show unclaimed subject matter. Broken lines formed by unequal length dashes (i.e., dash-dot) define bounds of the claimed design.

**1 Claim, 5 Drawing Sheets**



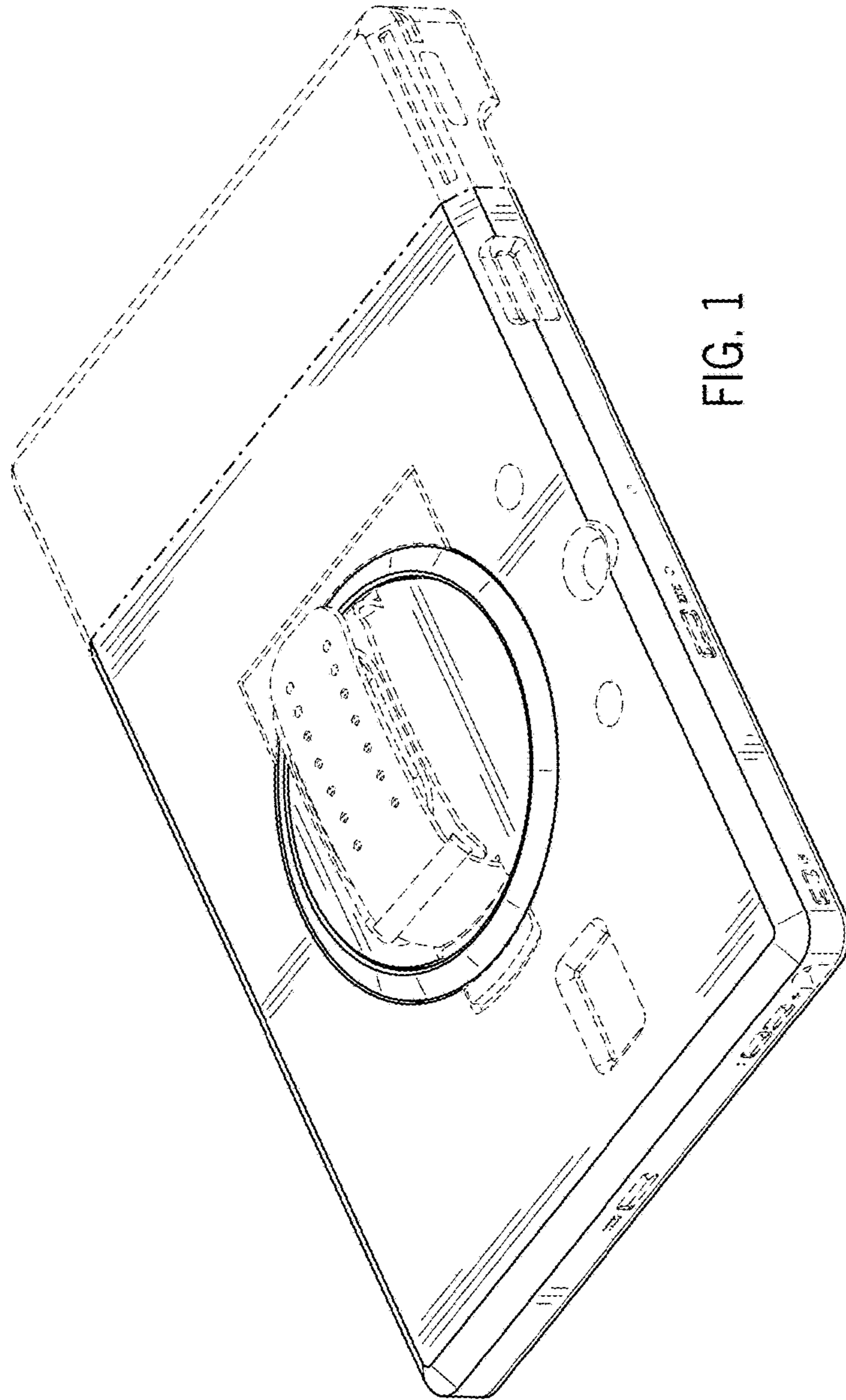


FIG. 1

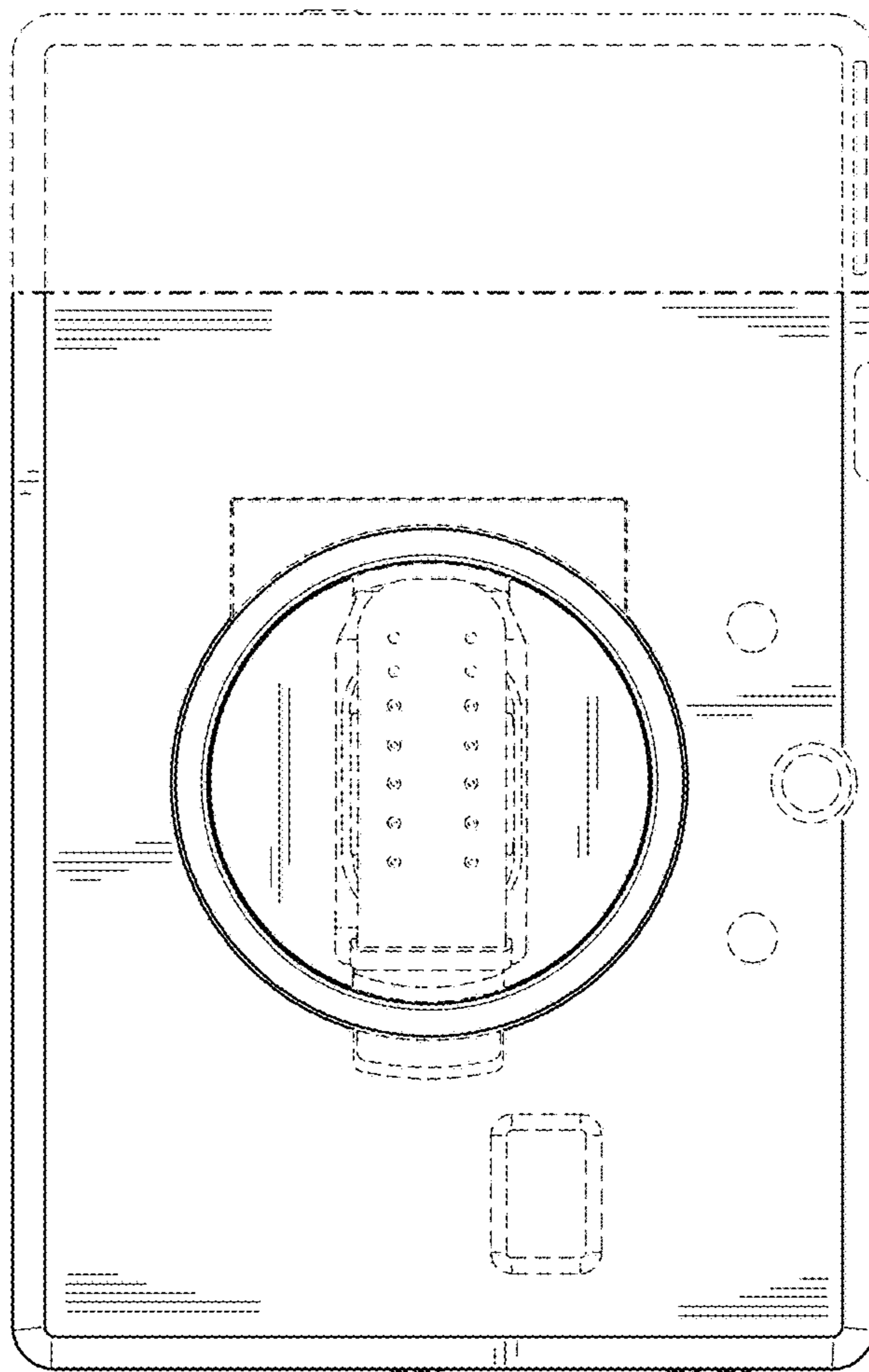


FIG. 2

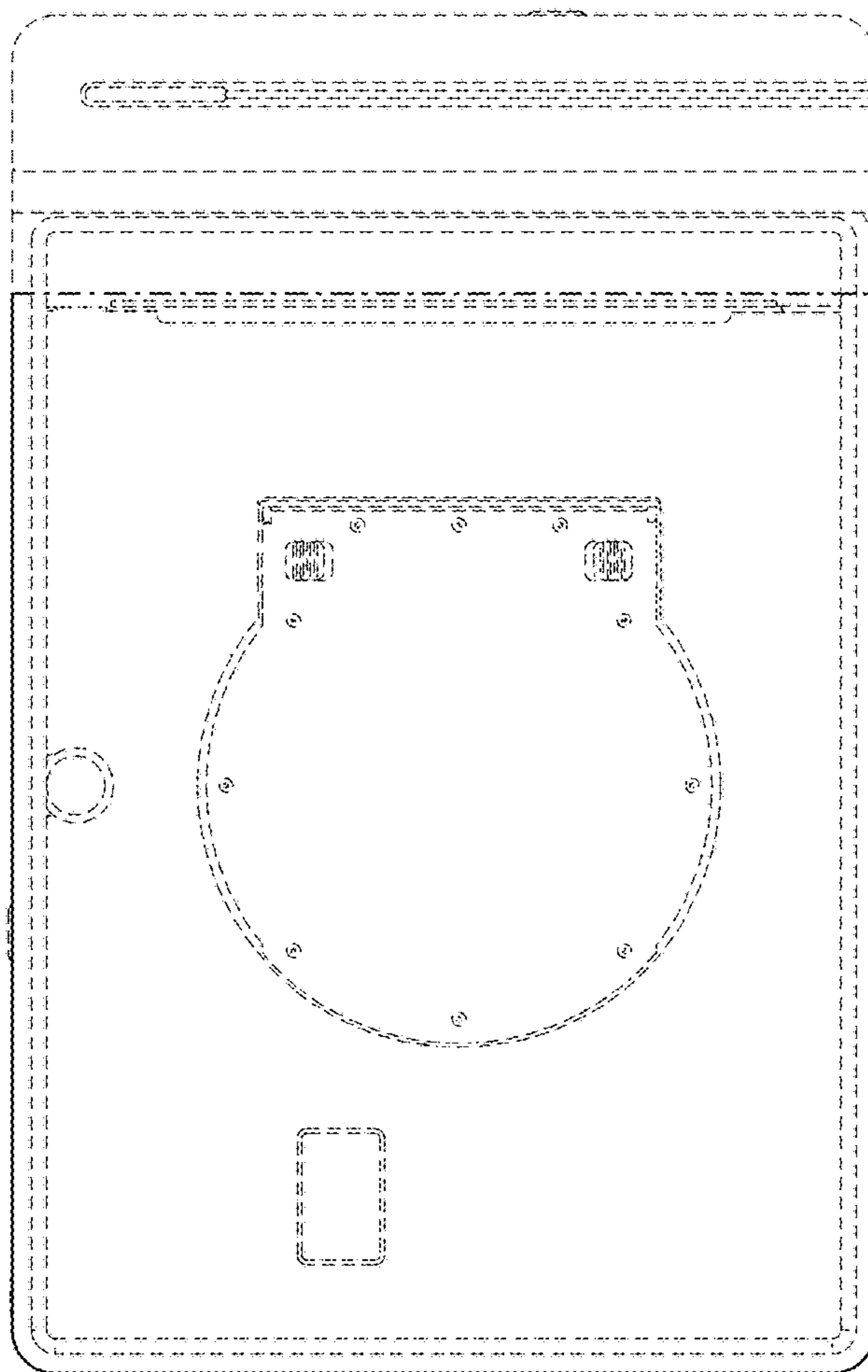


FIG. 3

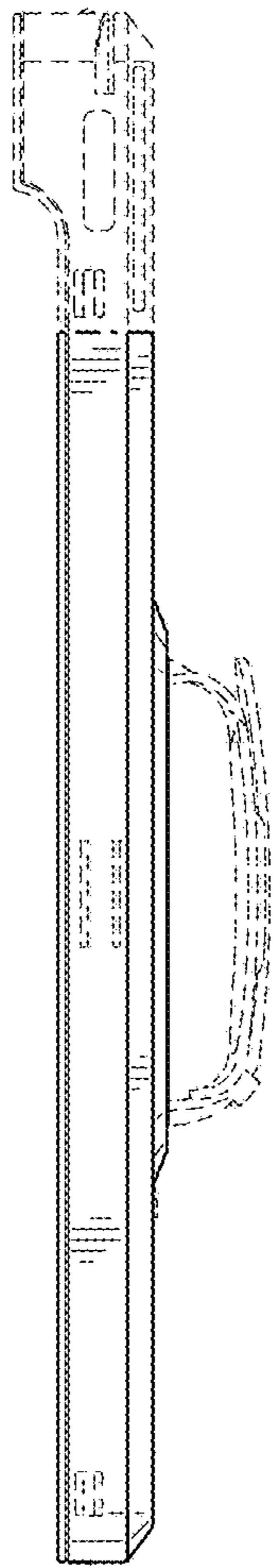


FIG. 4

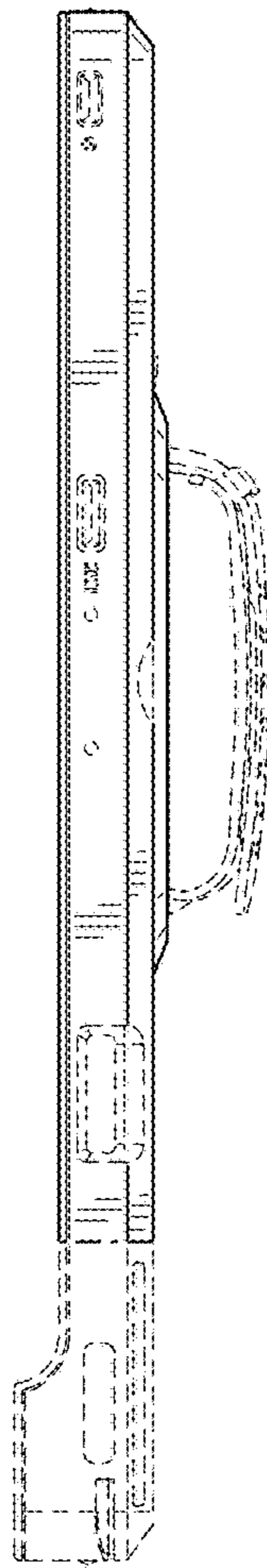


FIG. 5

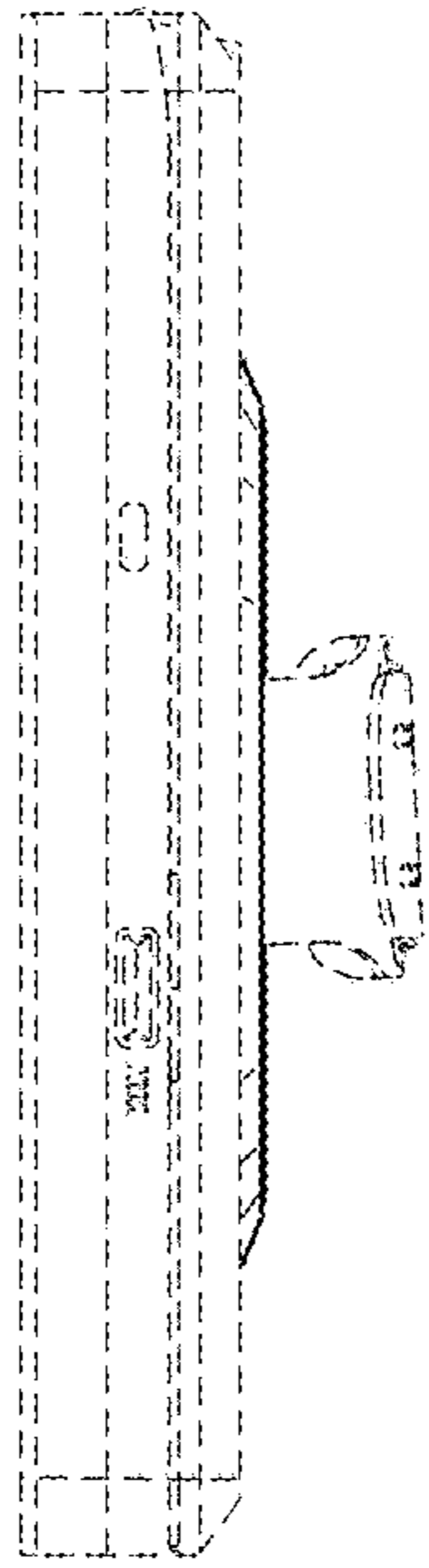


FIG. 6

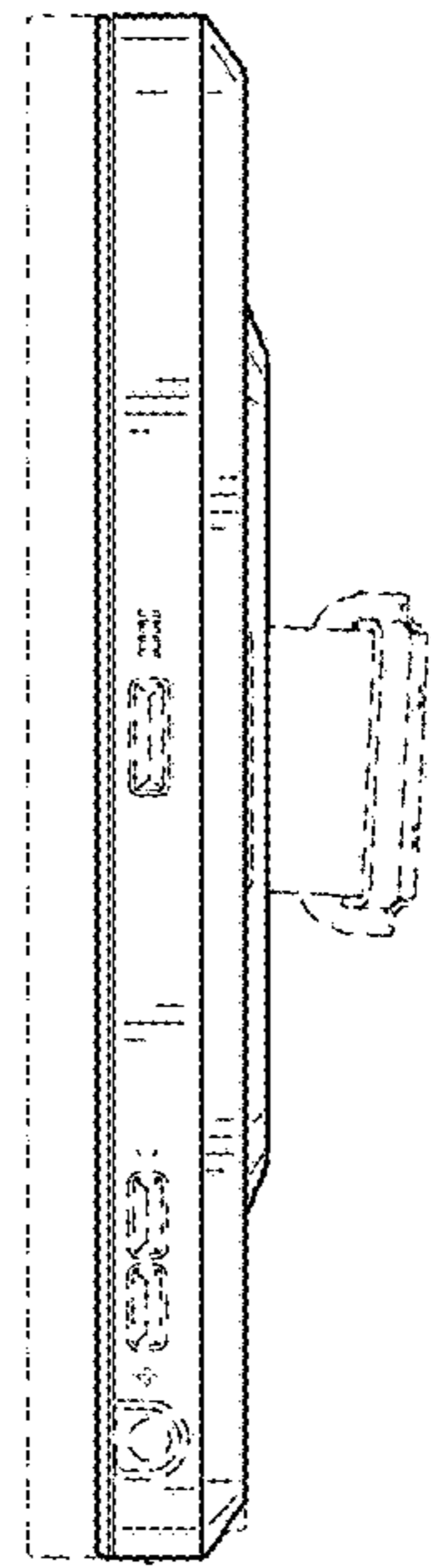


FIG. 7