



US00D855056S

(12) **United States Design Patent**  
**Raken et al.**

(10) **Patent No.:** **US D855,056 S**  
(45) **Date of Patent:** **\*\* Jul. 30, 2019**

(54) **HINGE FOR AN ELECTRONIC TABLET**

FOREIGN PATENT DOCUMENTS

(71) Applicant: **Microsoft Corporation**, Redmond, WA (US)

JP D1475166 S 7/2013  
JP D1486541 S 12/2013

(Continued)

(72) Inventors: **Jan Raken**, Seattle, WA (US); **Kate Bailey**, Seattle, WA (US)

OTHER PUBLICATIONS

(73) Assignee: **Microsoft Corporation**, Redmond, WA (US)

“Office Action Issued in Japanese Patent Application No. 2017-502096”, dated Aug. 3, 2018, 7 Pages.

(Continued)

(\*\*) Term: **15 Years**

(21) Appl. No.: **29/605,049**

*Primary Examiner* — Jeffrey D Asch

*Assistant Examiner* — Rebekah A Caruso

(22) Filed: **May 23, 2017**

(74) *Attorney, Agent, or Firm* — Banner & Witcoff, Ltd.

(51) **LOC (11) Cl.** ..... **14-02**

(52) **U.S. Cl.**

USPC ..... **D14/439**; D14/315; D14/341; D8/323

(58) **Field of Classification Search**

USPC ..... D14/315–327, 341, 345, 349, 356, 432, D14/439; D18/1, 2, 7, 11; D8/323; D21/330, 331; D6/324, 353, 679, 683; D16/334

CPC ..... G06F 1/16; G06F 1/1616; G06F 1/1626; G06F 1/1632; G06F 1/1613; G06F 1/1601; G06F 1/1618; G06F 1/162; G06F 1/1679; G06F 1/1681; G06F 1/1683; H01R 35/02; H03M 11/00; G09B 13/04; G09G 5/00; F16M 11/10; E05D 3/10; E05D 11/0081; E05D 11/082; E05Y 2900/606; H03K 17/94; H05K 5/0226; Y10T 16/52; Y10T 16/533; Y10T 16/547; Y10T 16/5385; Y10T 16/5472; Y10T 16/5476; Y10T 16/54038

See application file for complete search history.

(57) **CLAIM**

The ornamental design for a hinge for an electronic tablet, as shown and described.

**DESCRIPTION**

FIG. 1 is a bottom perspective view of a hinge for an electronic tablet showing our new design; FIG. 2 is the bottom perspective view of FIG. 1 disclosing an encircled portion thereof; FIG. 3 is another bottom perspective view thereof; FIG. 4 is a left side view thereof; FIG. 5 is a right side view thereof; FIG. 6 is a bottom view thereof; FIG. 7 is a top view thereof; FIG. 8 is a rear view thereof; and, FIG. 9 is an enlarged view of the encircled portion in FIG. 2.

The even-length broken line showing of the remainder of the electronic tablet illustrates environmental structure and forms no part of the claimed design. The uneven-length broken line showing the encircled portion in FIGS. 2 and 9 forms no part of the claimed design.

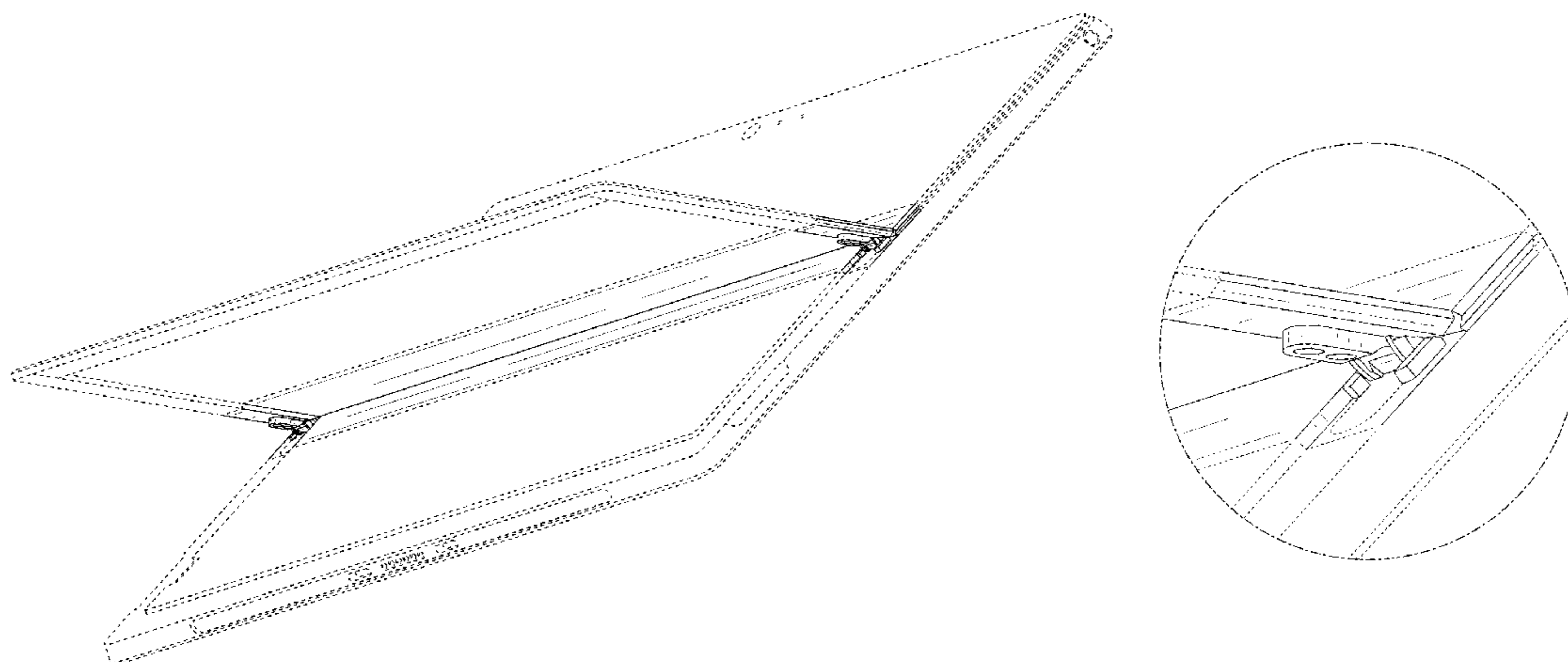
**1 Claim, 9 Drawing Sheets**

(56) **References Cited**

U.S. PATENT DOCUMENTS

D278,272 S 4/1985 Kojima et al.  
D284,084 S 6/1986 Ferrara, Jr.  
5,128,662 A 7/1992 Failla

(Continued)



(56)

References Cited

U.S. PATENT DOCUMENTS

D333,574 S 3/1993 Ackeret  
 D356,548 S 3/1995 Bottcher et al.  
 D426,548 S 6/2000 Oross et al.  
 D451,096 S 11/2001 Redmond  
 D451,505 S 12/2001 Iseki et al.  
 D492,684 S 7/2004 Ozolins et al.  
 D500,037 S 12/2004 Ozolins et al.  
 D502,703 S 3/2005 Tsujimoto et al.  
 6,882,524 B2 4/2005 Ulla et al.  
 D504,889 S 5/2005 Andre et al.  
 D533,552 S 12/2006 Kuroiwa et al.  
 D543,979 S 6/2007 Lee  
 7,299,580 B2 11/2007 Wang et al.  
 D557,259 S 12/2007 Hirsch  
 D558,460 S 1/2008 Yu et al.  
 7,342,776 B1 3/2008 Chan  
 D579,930 S 11/2008 Maskatia  
 D579,939 S 11/2008 Skillman et al.  
 D584,304 S 1/2009 Lin  
 D585,399 S 1/2009 Hwang  
 D585,401 S 1/2009 Otani  
 D592,625 S 5/2009 Hwang  
 D601,353 S 10/2009 Sadler et al.  
 D603,398 S 11/2009 Watson et al.  
 D606,081 S 12/2009 Parker et al.  
 D606,082 S 12/2009 Parker et al.  
 D606,083 S 12/2009 Parker et al.  
 D609,705 S 2/2010 Andre et al.  
 D613,286 S 4/2010 Lee et al.  
 D615,527 S 5/2010 Hwang  
 D616,448 S 5/2010 Skillman et al.  
 D617,793 S 6/2010 Chiang et al.  
 D622,240 S 8/2010 Liu et al.  
 D627,343 S 11/2010 Andre et al.  
 D627,777 S 11/2010 Akana et al.  
 D627,779 S 11/2010 Liao  
 D628,569 S 12/2010 Guo  
 D629,216 S 12/2010 Stoddard  
 D629,800 S 12/2010 Seong  
 D630,207 S 1/2011 Seong  
 D630,607 S 1/2011 Li  
 D631,469 S 1/2011 Demskie et al.  
 D631,474 S 1/2011 Green et al.  
 D632,687 S 2/2011 Seong  
 D632,688 S 2/2011 Seong  
 D633,090 S 2/2011 Andre et al.  
 D633,091 S 2/2011 Andre et al.  
 D636,768 S 4/2011 Chan et al.  
 D636,770 S 4/2011 Li  
 D637,596 S 5/2011 Akana et al.  
 D637,597 S 5/2011 Seong  
 D638,419 S 5/2011 Ishiharada  
 D638,833 S 5/2011 Chuang  
 D638,836 S 5/2011 Daniel  
 D639,266 S 6/2011 DeLorenzo et al.  
 D639,802 S \* 6/2011 Brooks ..... D14/315  
 D641,016 S 7/2011 Takahashi  
 D641,017 S 7/2011 Meng  
 D641,018 S 7/2011 Lee et al.  
 D642,563 S 8/2011 Akana et al.  
 D645,465 S 9/2011 Lin et al.  
 D646,902 S 10/2011 Woo et al.  
 D649,190 S 11/2011 Goodall  
 D650,380 S 12/2011 Ballout  
 D652,418 S 1/2012 Rashid et al.  
 D653,645 S 2/2012 Park  
 D654,074 S 2/2012 Wood et al.  
 D654,497 S 2/2012 Lee  
 D655,704 S 3/2012 Akana et al.  
 D656,136 S 3/2012 Lee

D656,137 S 3/2012 Chung et al.  
 D659,139 S 5/2012 Gengler  
 D659,692 S 5/2012 Jung et al.  
 D663,281 S 7/2012 Hwang  
 D664,540 S 7/2012 Kim et al.  
 D664,954 S 8/2012 Kim et al.  
 D665,370 S 8/2012 Chung  
 D667,397 S 9/2012 Koh  
 D667,398 S 9/2012 Koh  
 D667,399 S 9/2012 Koh  
 D667,825 S 9/2012 Jung  
 D668,650 S 10/2012 Han  
 D668,651 S 10/2012 Kim et al.  
 D669,069 S 10/2012 Akana et al.  
 D669,468 S 10/2012 Akana et al.  
 D670,286 S 11/2012 Akana et al.  
 D670,692 S 11/2012 Akana et al.  
 D671,514 S 11/2012 Kim et al.  
 D671,940 S 12/2012 Kim  
 D675,203 S 1/2013 Yang  
 D677,660 S 3/2013 Groene et al.  
 D678,271 S 3/2013 Chiu  
 D678,272 S 3/2013 Groene et al.  
 D678,877 S 3/2013 Groene et al.  
 D696,254 S 12/2013 Groene et al.  
 D705,776 S 5/2014 Groene et al.  
 D705,777 S 5/2014 Groene et al.  
 D705,778 S 5/2014 Groene et al.  
 D712,867 S 9/2014 Vats  
 D716,608 S \* 11/2014 Tosin ..... D7/405  
 D719,010 S \* 12/2014 Russo ..... D8/323  
 D719,564 S \* 12/2014 Ji ..... D14/315  
 8,976,519 B2 \* 3/2015 Lai ..... G06F 1/1616  
 248/917  
 D732,523 S \* 6/2015 Riddiford ..... D14/315  
 D733,120 S 6/2015 Lee et al.  
 D735,188 S 7/2015 Oh et al.  
 D741,319 S 10/2015 Yun et al.  
 D749,070 S 2/2016 Oh  
 D751,063 S 3/2016 Lin  
 D754,655 S 4/2016 Groene et al.  
 D758,984 S 6/2016 Maxwell et al.  
 9,459,665 B2 \* 10/2016 Chang ..... G06F 1/1681  
 D772,862 S \* 11/2016 Kwong ..... D14/316  
 9,483,076 B2 \* 11/2016 Liang ..... G06F 1/1669  
 9,540,855 B2 \* 1/2017 Kato ..... E05D 3/12  
 D782,469 S 3/2017 Raken et al.  
 D782,470 S 3/2017 Raken et al.  
 9,729,683 B2 \* 8/2017 Okuley ..... H04M 1/0254  
 10,001,162 B2 \* 6/2018 Hsu ..... G06F 1/16  
 10,082,840 B2 \* 9/2018 Esmaeili ..... G06F 1/1684  
 D834,009 S \* 11/2018 Itou ..... D14/248  
 D834,917 S \* 12/2018 Alberti ..... D8/323  
 10,146,269 B2 \* 12/2018 Park ..... G06F 1/162  
 2005/0052831 A1 3/2005 Chen  
 2006/0237599 A1 10/2006 Ternus et al.  
 2012/0140396 A1 6/2012 Zelif et al.  
 2012/0194448 A1 8/2012 Rothkopf  
 2012/0229970 A1 9/2012 Hsu

FOREIGN PATENT DOCUMENTS

KR 30-0631455 A 2/2012  
 KR 30-0687331 A 4/2013  
 KR 3008018220001 6/2015

OTHER PUBLICATIONS

“Office Action Issued in Japanese Patent Application No. 2017-502098”, dated Aug. 17, 2018, 7 Pages.

\* cited by examiner

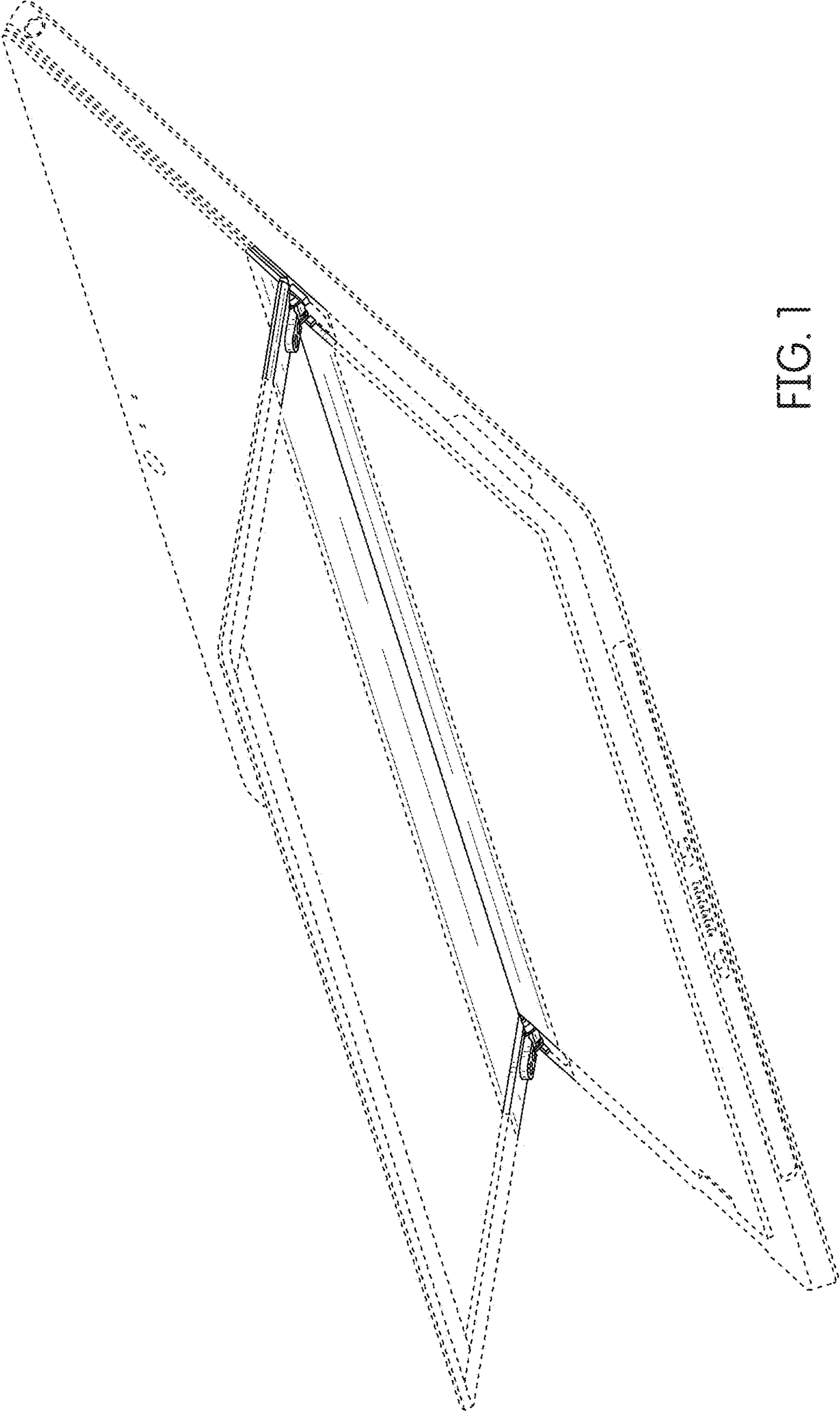


FIG. 1

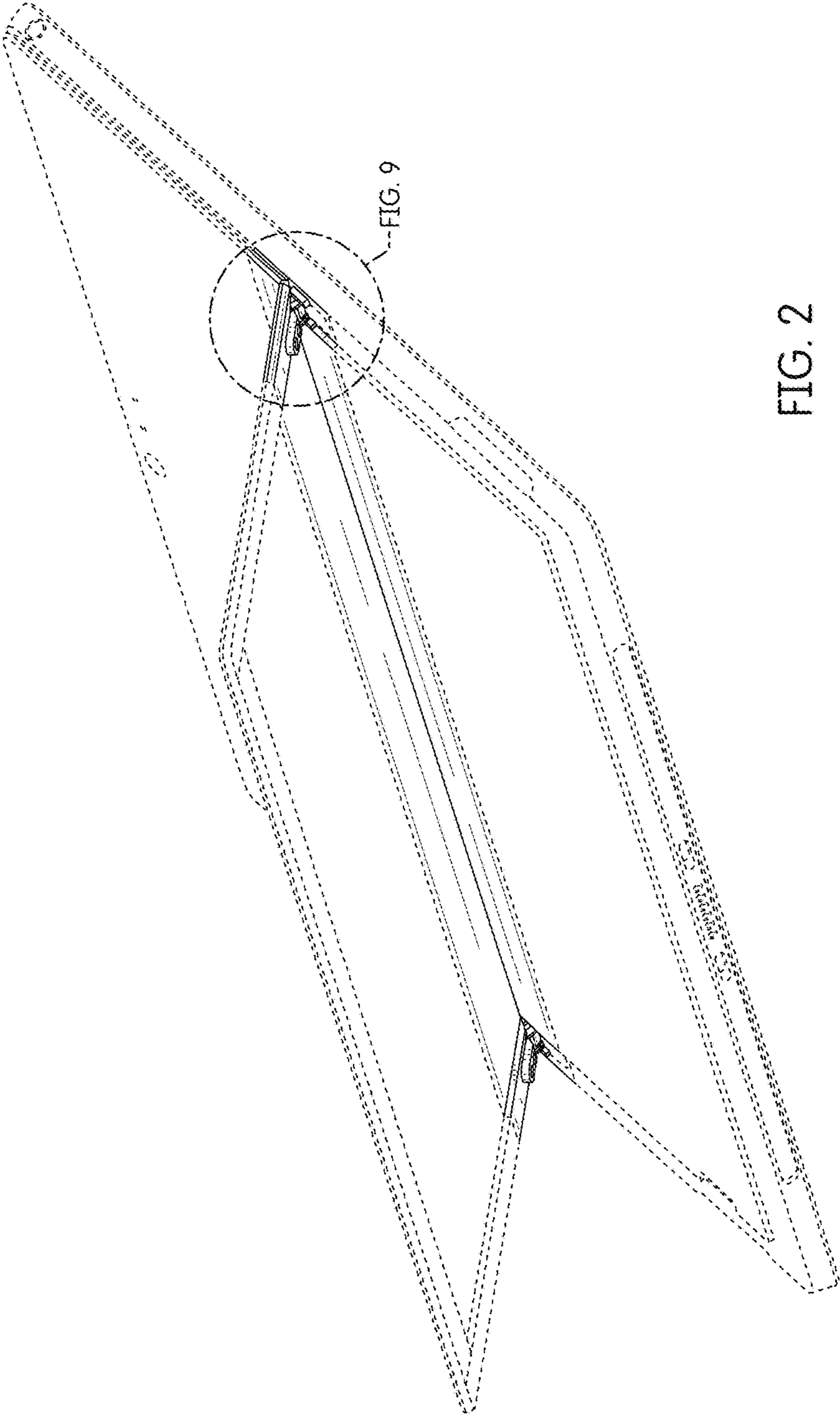


FIG. 2

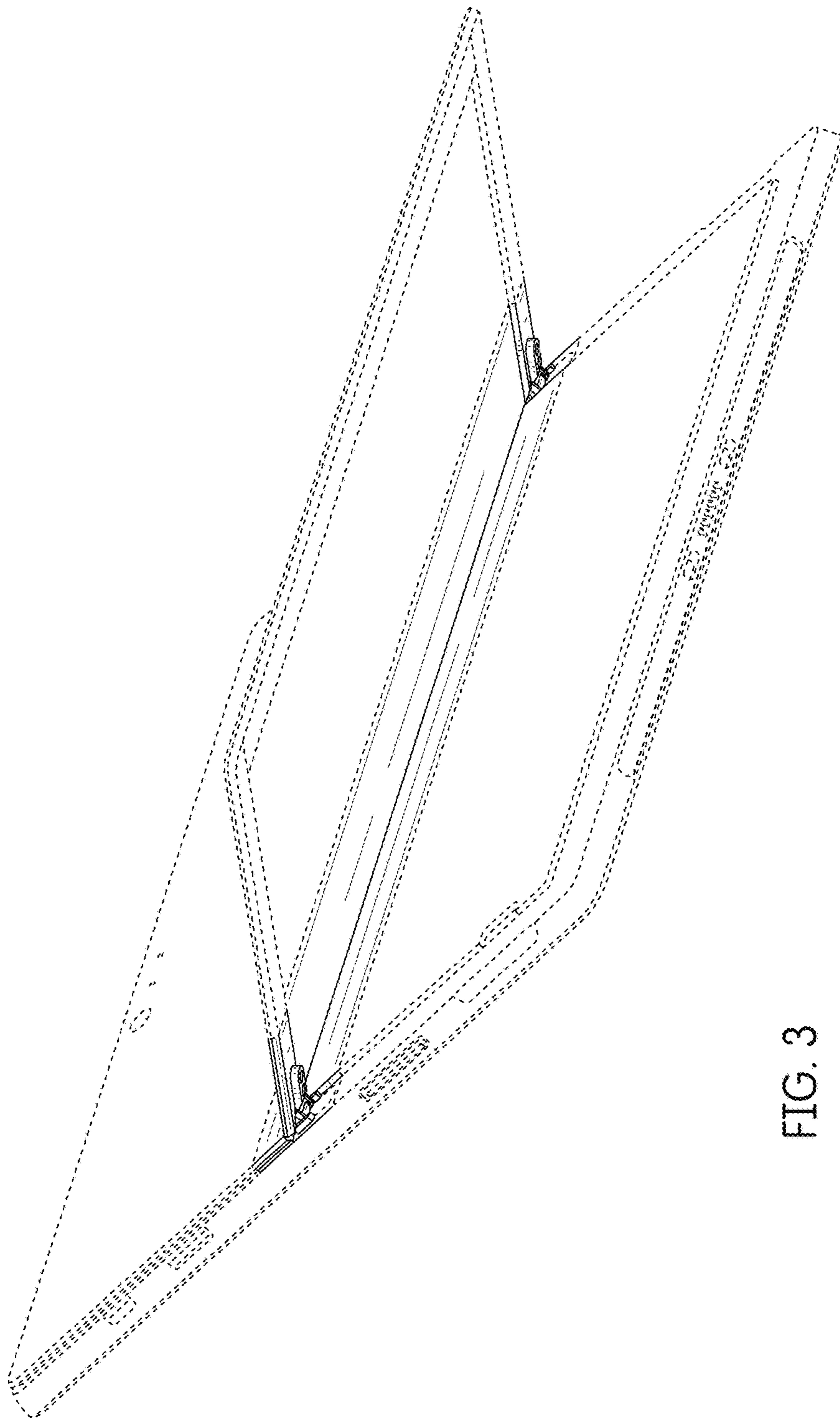


FIG. 3

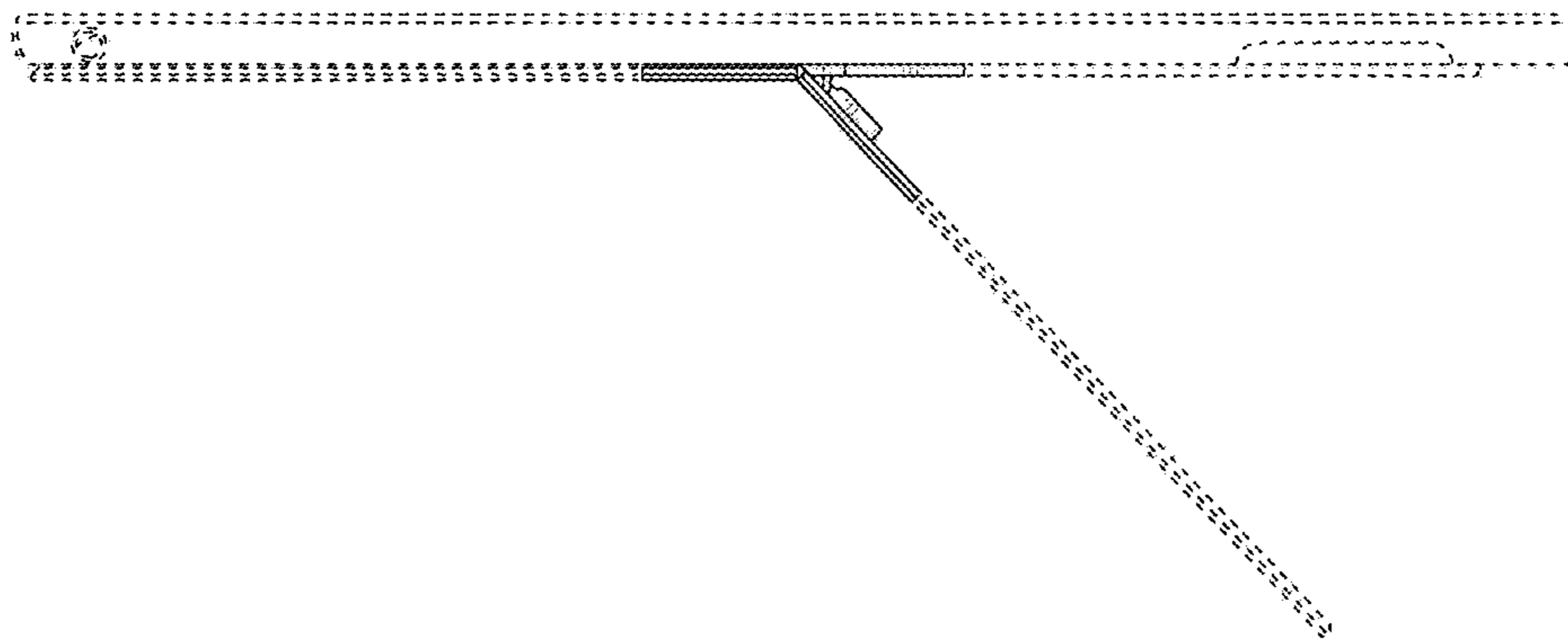


FIG. 4

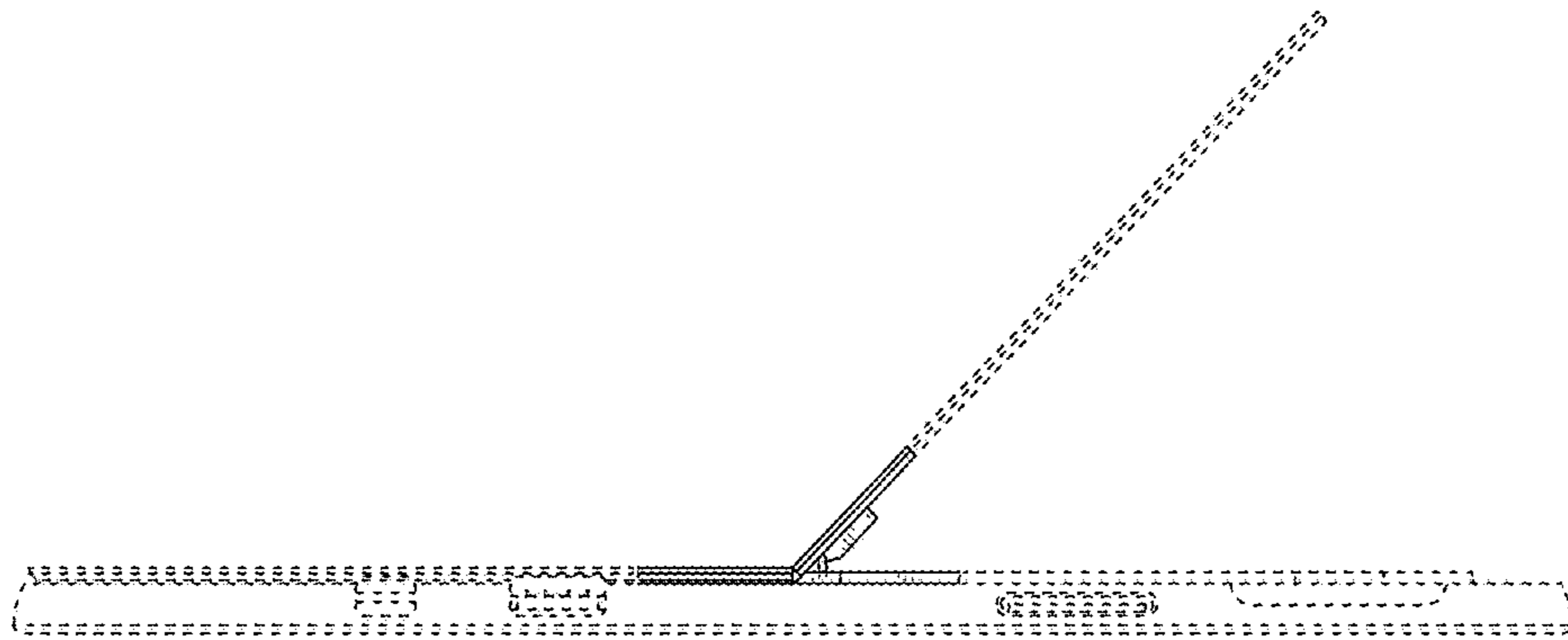


FIG. 5

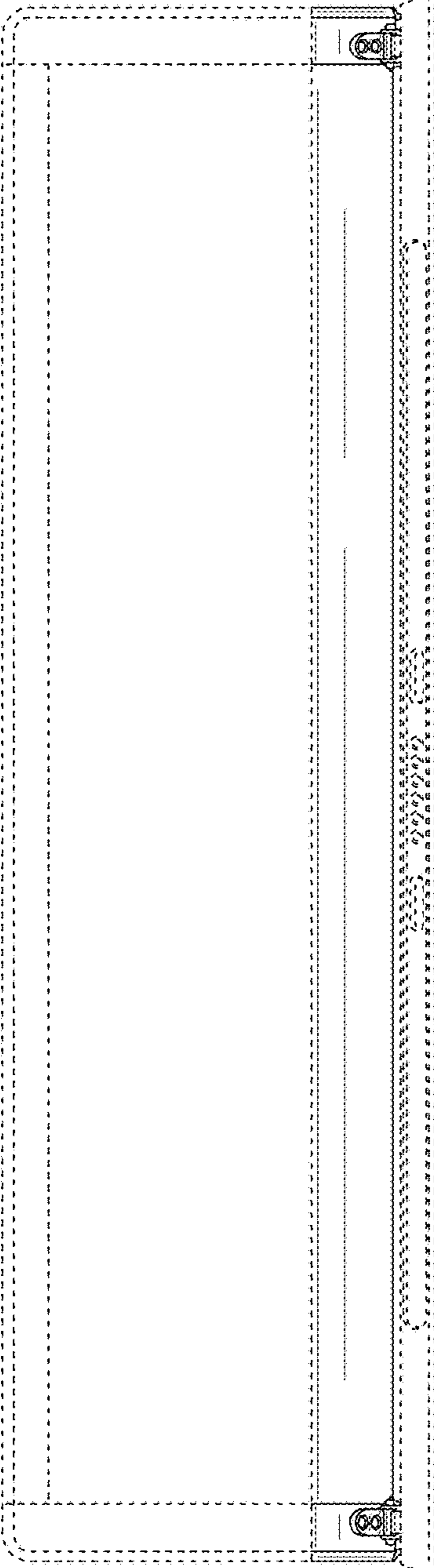


FIG. 6



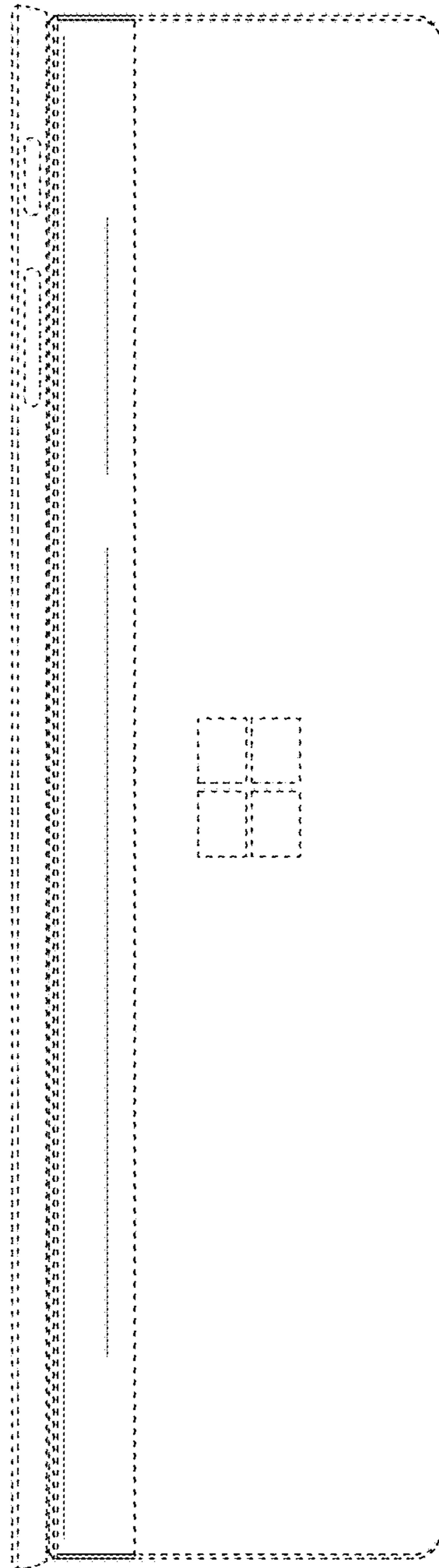


FIG. 7

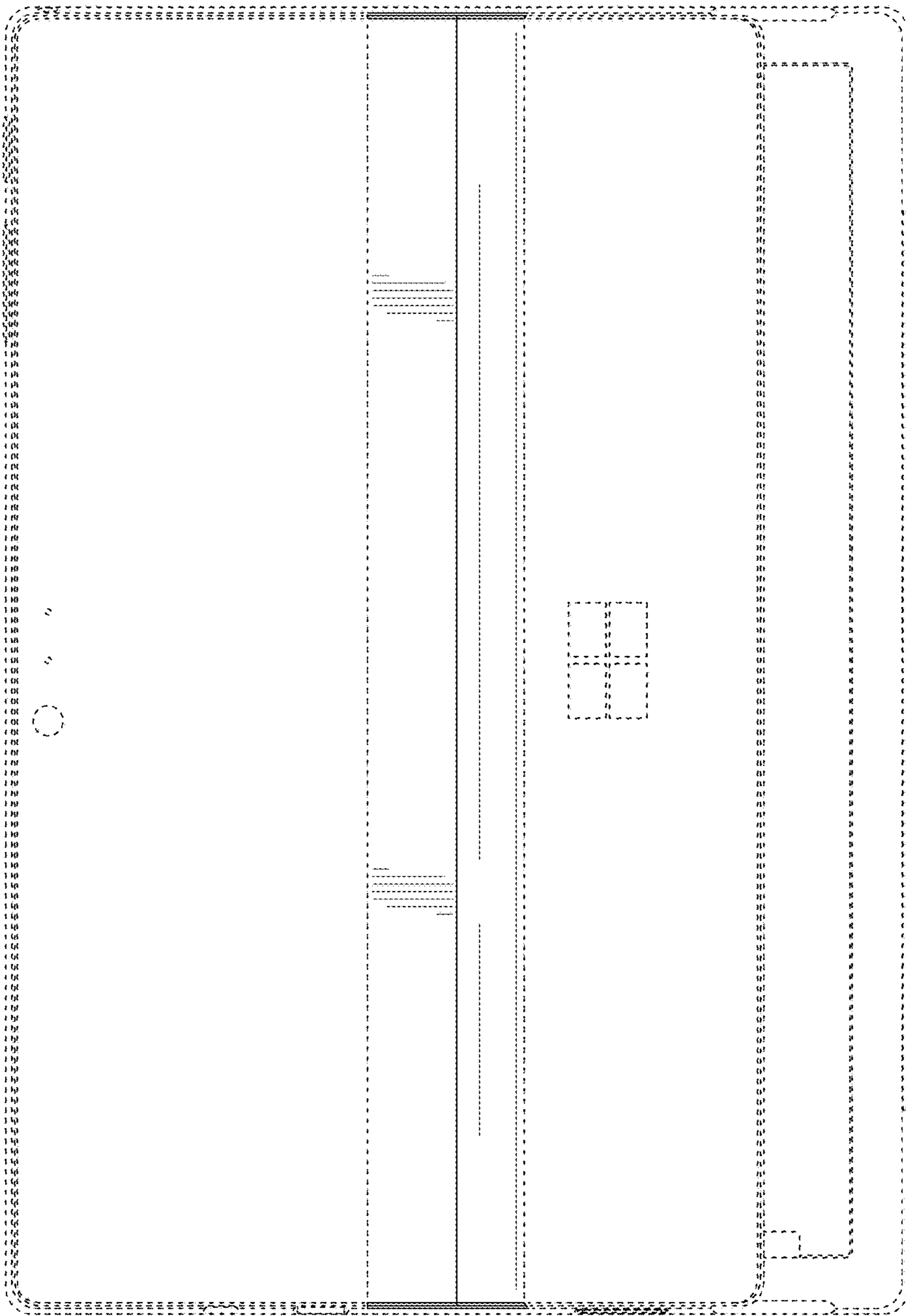


FIG. 8

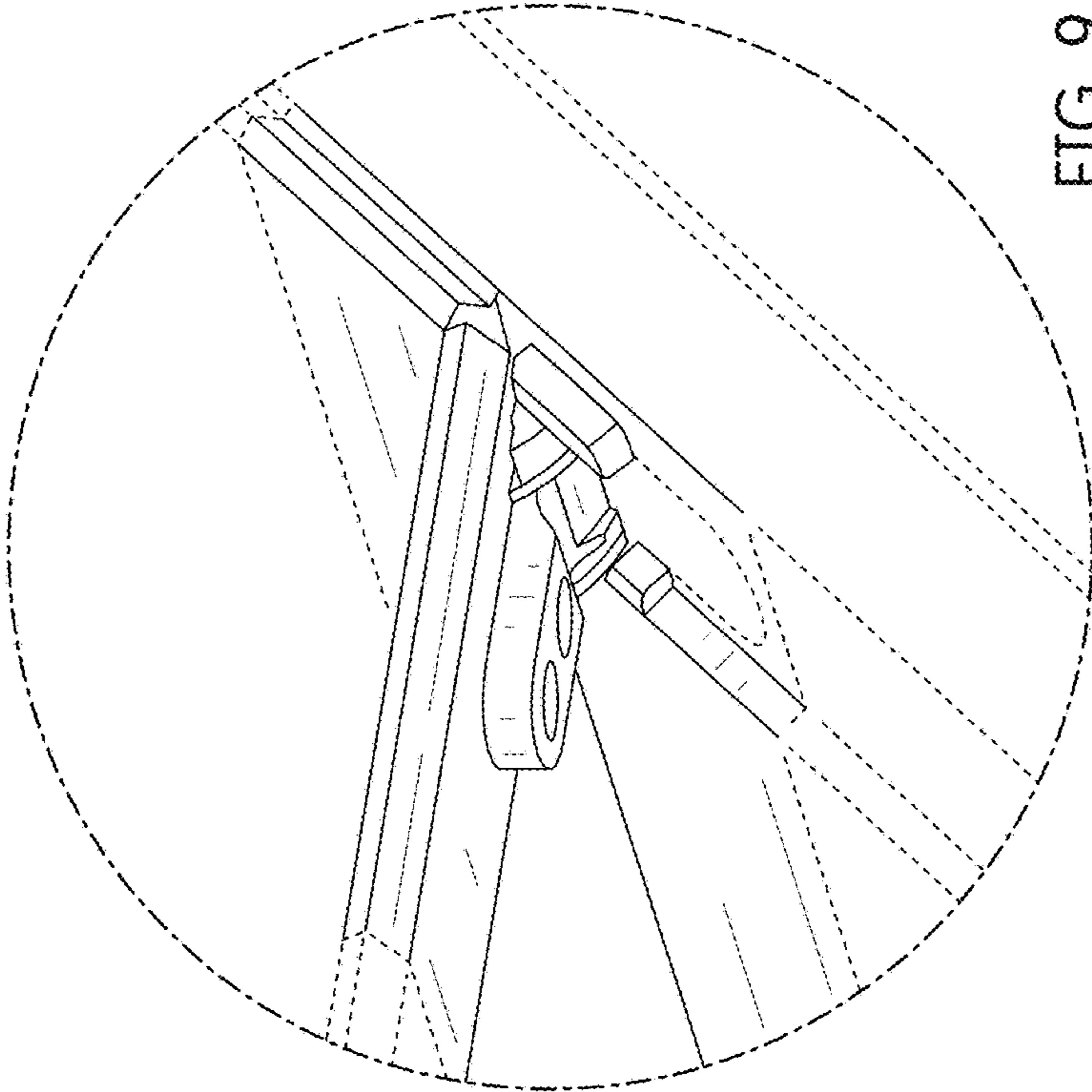


FIG. 9