



US00D855055S

(12) **United States Design Patent**
Chou et al.

(10) **Patent No.:** **US D855,055 S**
(45) **Date of Patent:** **** Jul. 30, 2019**

(54) **USB C-TYPE CONNECTOR**

(71) Applicants: **BCM COMMUNICATION CO., LTD**, Taipei (TW); **UFRO INC**, Taipei (TW)

(72) Inventors: **Kao-Jung Chou**, Taipei (TW); **Hsien-Chuan Kuo**, Taipei (TW); **Hung-Yu Lin**, Taipei (TW)

(73) Assignees: **BCM COMMUNICATION CO., LTD**, Taipei (TW); **UFRO INC**, Taipei (TW)

(**) Term: **15 Years**

(21) Appl. No.: **29/621,297**

(22) Filed: **Oct. 6, 2017**

(51) **LOC (11) Cl.** **14-02**

(52) **U.S. Cl.**
USPC **D14/433**

(58) **Field of Classification Search**
USPC D14/356, 432-434, 453, 454, 511, 203.8, D14/209.1, 238.1, 240, 125; 439/638, 439/928, 105, 502; 710/303, 304; 361/679.41, 679.55, 679.56; D13/110, D13/133, 146
CPC ... H04L 12/2832; H04L 12/2838; G06F 3/00; G06F 5/00; G06F 13/14
See application file for complete search history.

(56) **References Cited**

U.S. PATENT DOCUMENTS

- D327,260 S * 6/1992 Davis D13/184
- 5,494,215 A * 2/1996 Drummond B65D 3/267
229/202
- D461,827 S * 8/2002 Koebbe D15/7
- D472,558 S * 4/2003 MacPherson D15/7
- D484,435 S * 12/2003 Kimball D11/164

- D499,314 S * 12/2004 Wagner D7/670
- D519,166 S * 4/2006 Chuang D21/479
- D526,930 S * 8/2006 Plitman D11/182
- D532,834 S * 11/2006 Chuang D21/478
- D568,119 S * 5/2008 Horton D7/682
- D636,238 S * 4/2011 Elmelund D8/14.1
- D649,880 S * 12/2011 Smith, III D9/500
- D652,059 S * 1/2012 Sato D15/9
- D659,281 S * 5/2012 Patkus D26/137
- D687,017 S * 7/2013 Ashcraft D14/216
- D702,182 S * 4/2014 Druker D13/110
- D714,293 S * 9/2014 Kelly D14/433
- D726,155 S * 4/2015 Cheng D14/216
- D726,874 S * 4/2015 Wong D23/233
- D727,138 S * 4/2015 Cross D8/382
- D777,369 S * 1/2017 Kennedy D26/137
- D800,193 S * 10/2017 Pelini D15/148
- D818,453 S * 5/2018 Stern D14/204

(Continued)

Primary Examiner — Austin Murphy

(74) *Attorney, Agent, or Firm* — Li & Cai Intellectual Property (USA) Office

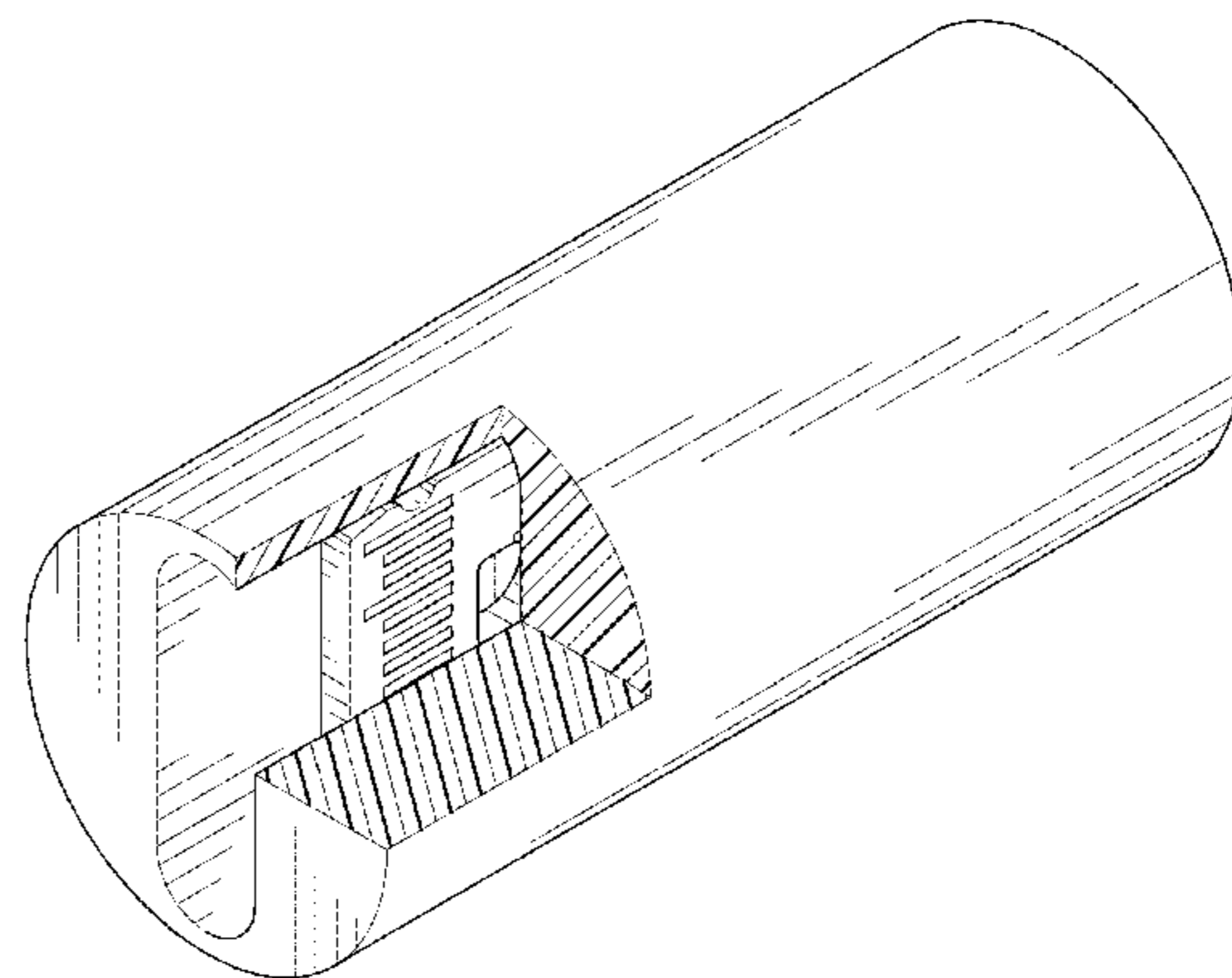
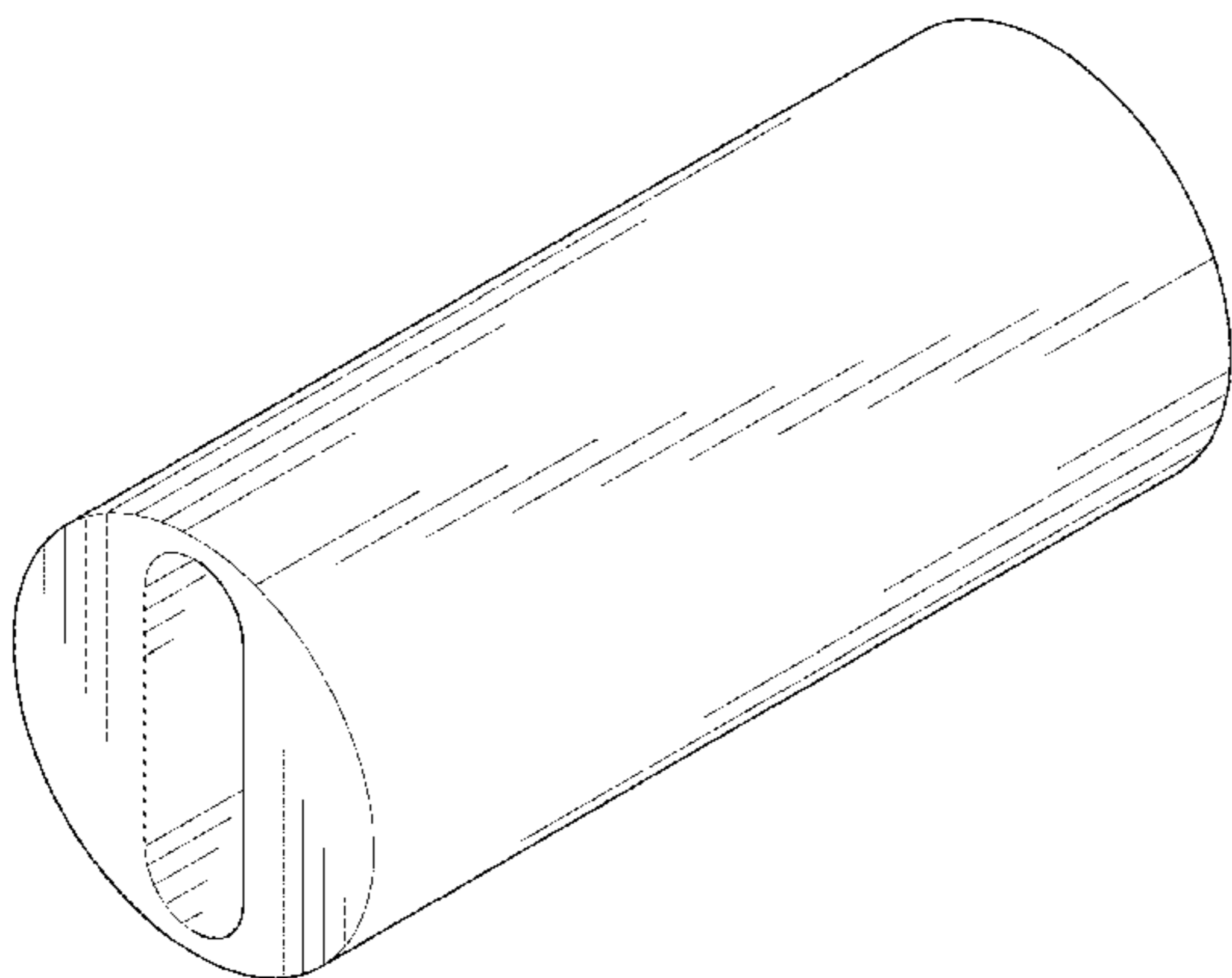
(57) **CLAIM**

The ornamental design for an “USB C-type connector”, as shown and described.

DESCRIPTION

FIG. 1 is a front perspective view of an USB C-type connector showing our new design; FIG. 2 is a front elevational view thereof; FIG. 3 is a rear elevational view thereof; FIG. 4 is a left elevational side view thereof; FIG. 5 is a right elevational side view thereof; FIG. 6 is a top plan view thereof; FIG. 7 is a bottom plan view thereof; FIG. 8 is rear perspective view thereof; and, FIG. 9 is a cross-sectional perspective view thereof. The broken line showing of the environment is for illustrative purposes only and forms no part of the claimed design.

1 Claim, 9 Drawing Sheets



(56)

References Cited

U.S. PATENT DOCUMENTS

D832,324 S	*	10/2018	Gergatz	D15/147
2004/0124099 A1	*	7/2004	Fields	A45C 1/02
					206/0.815

* cited by examiner

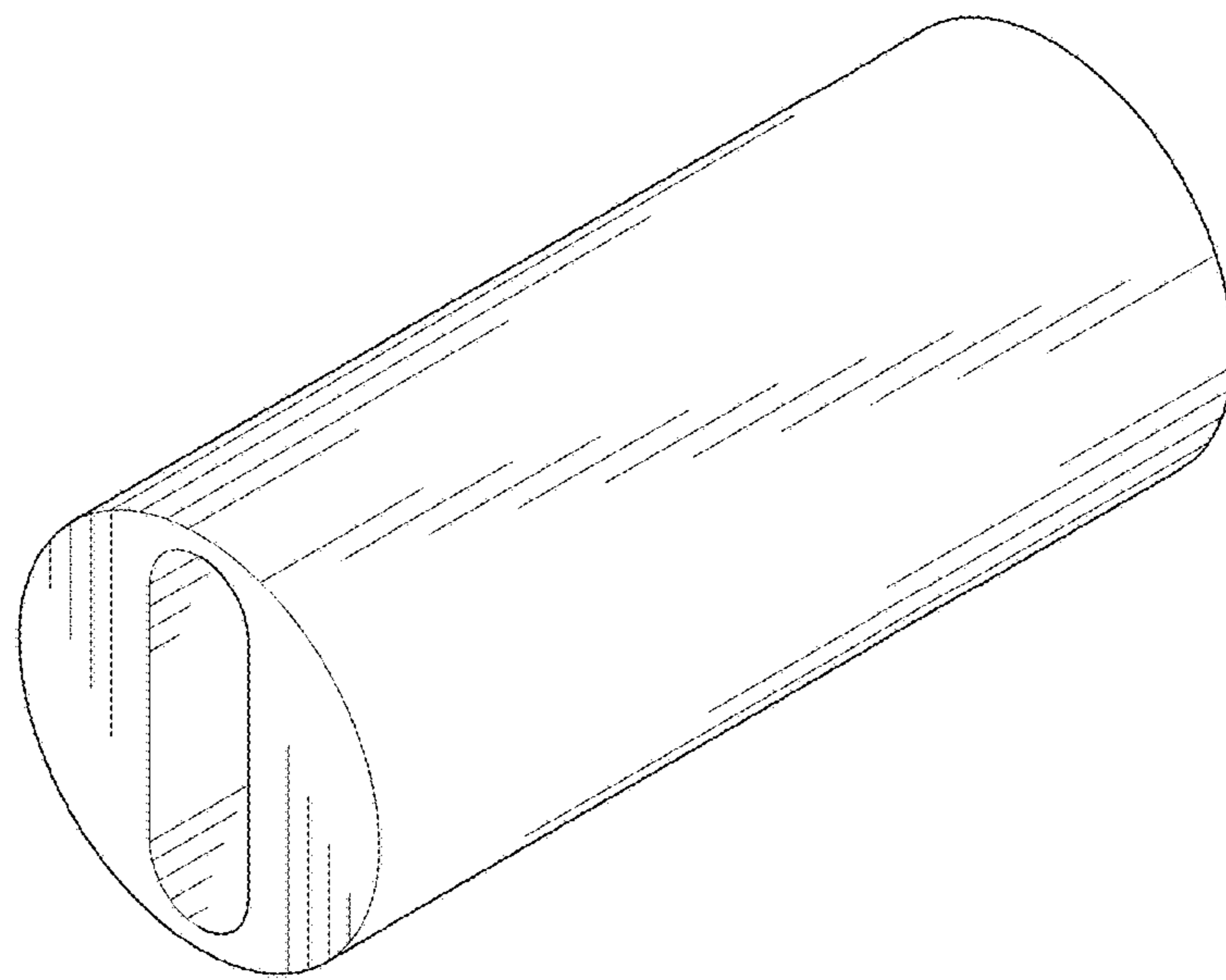


FIG. 1

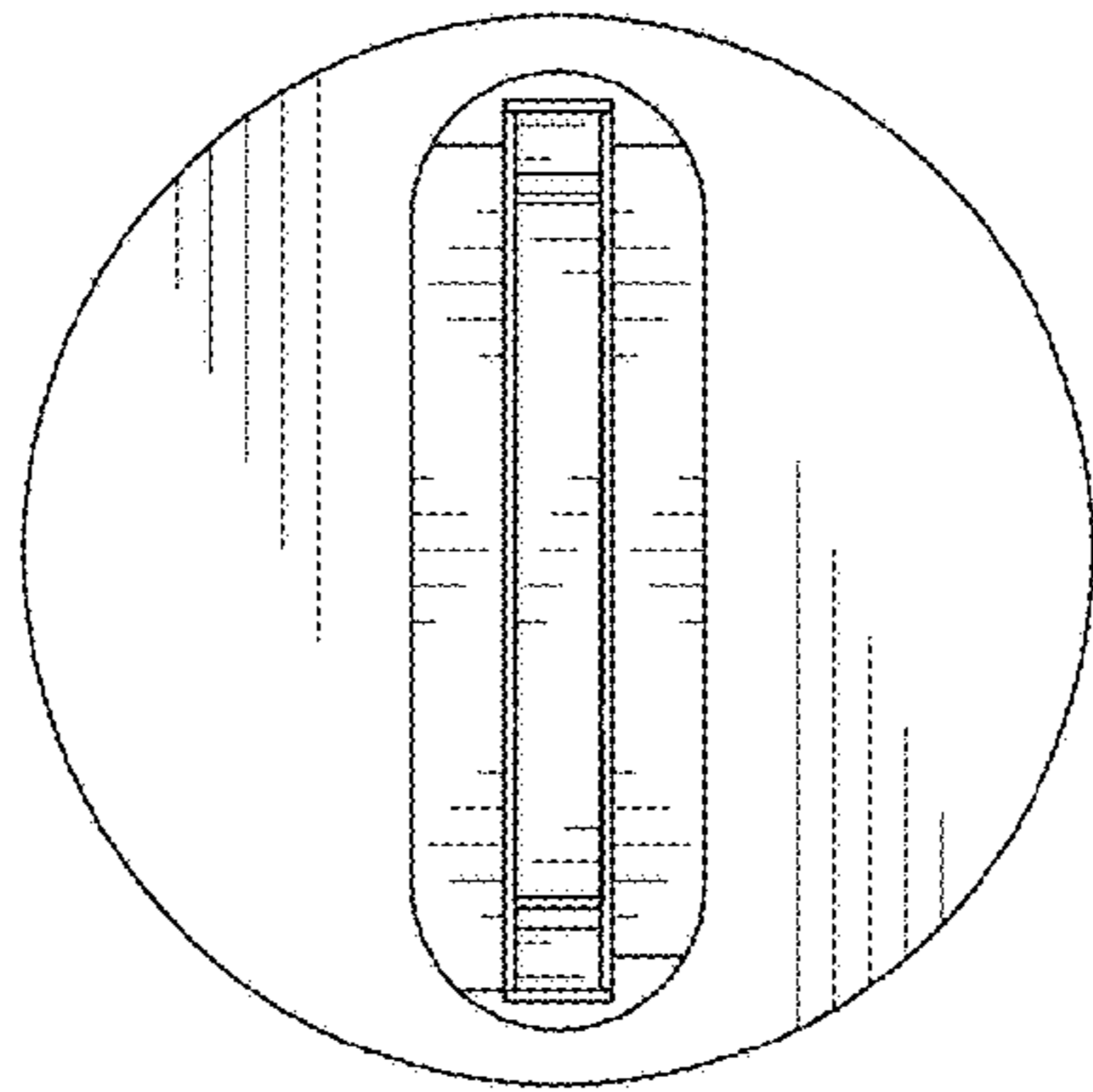


FIG. 2

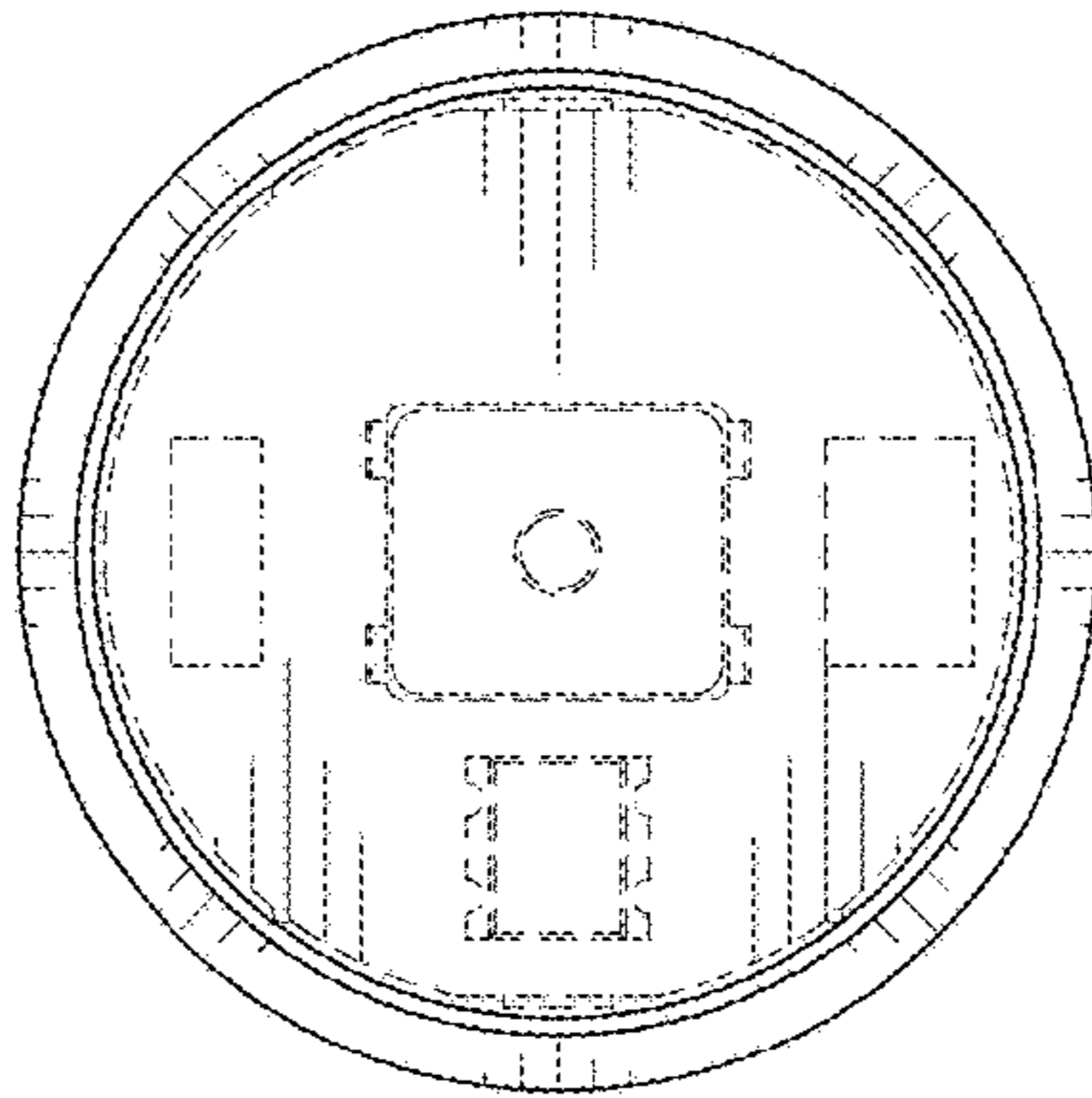


FIG. 3

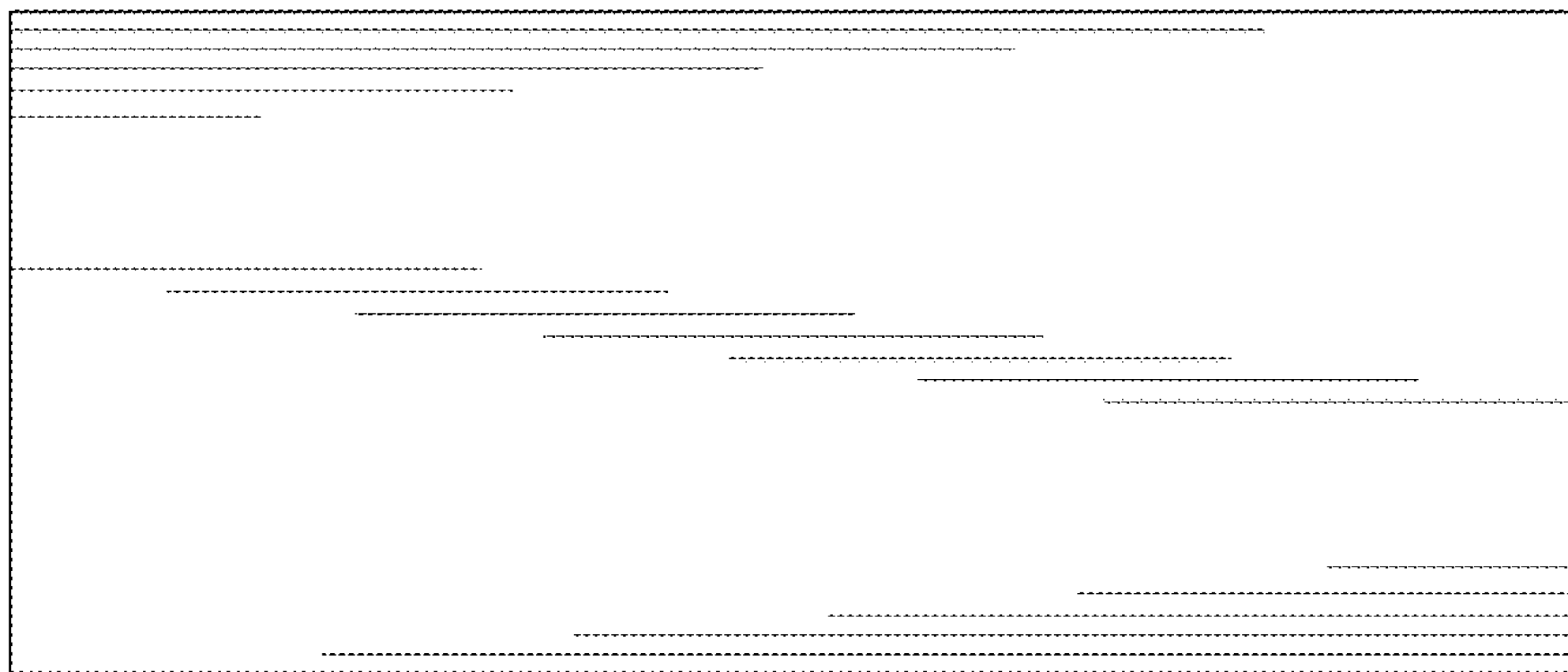


FIG. 4

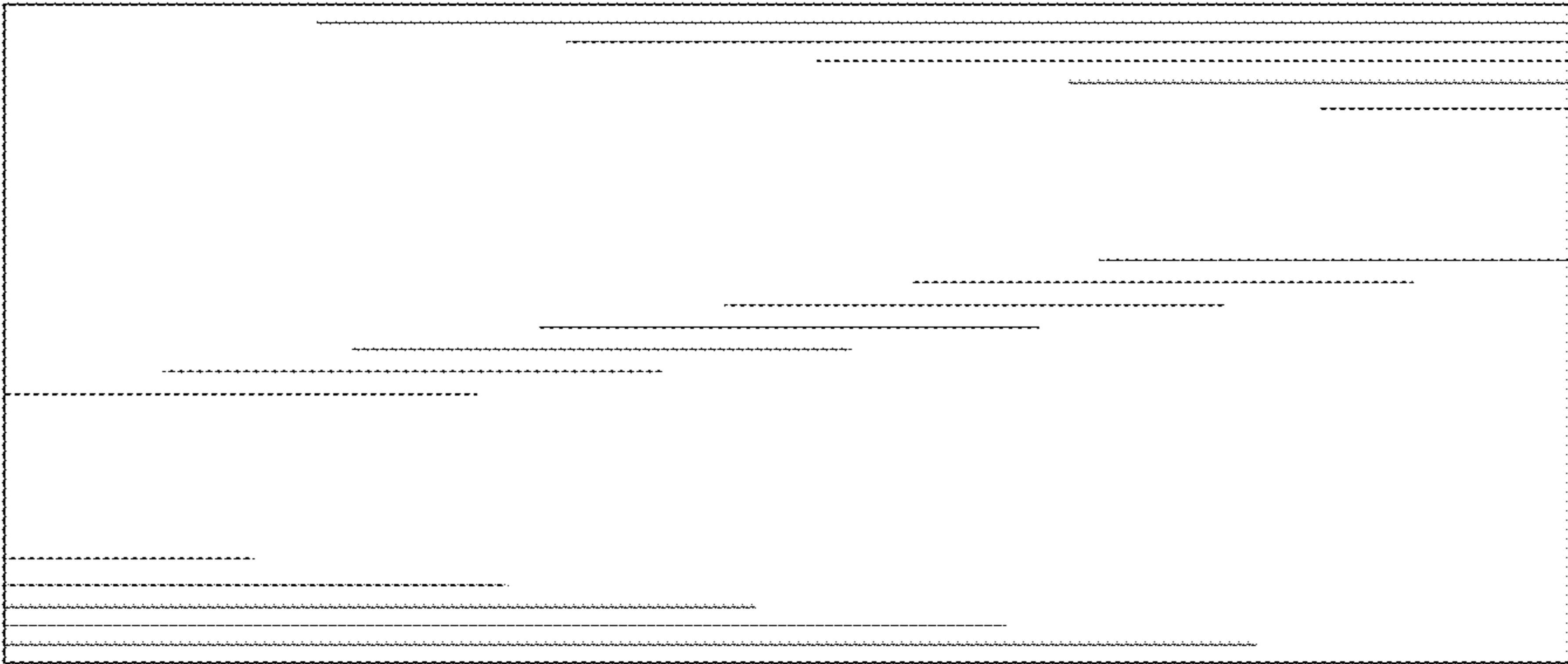


FIG. 5

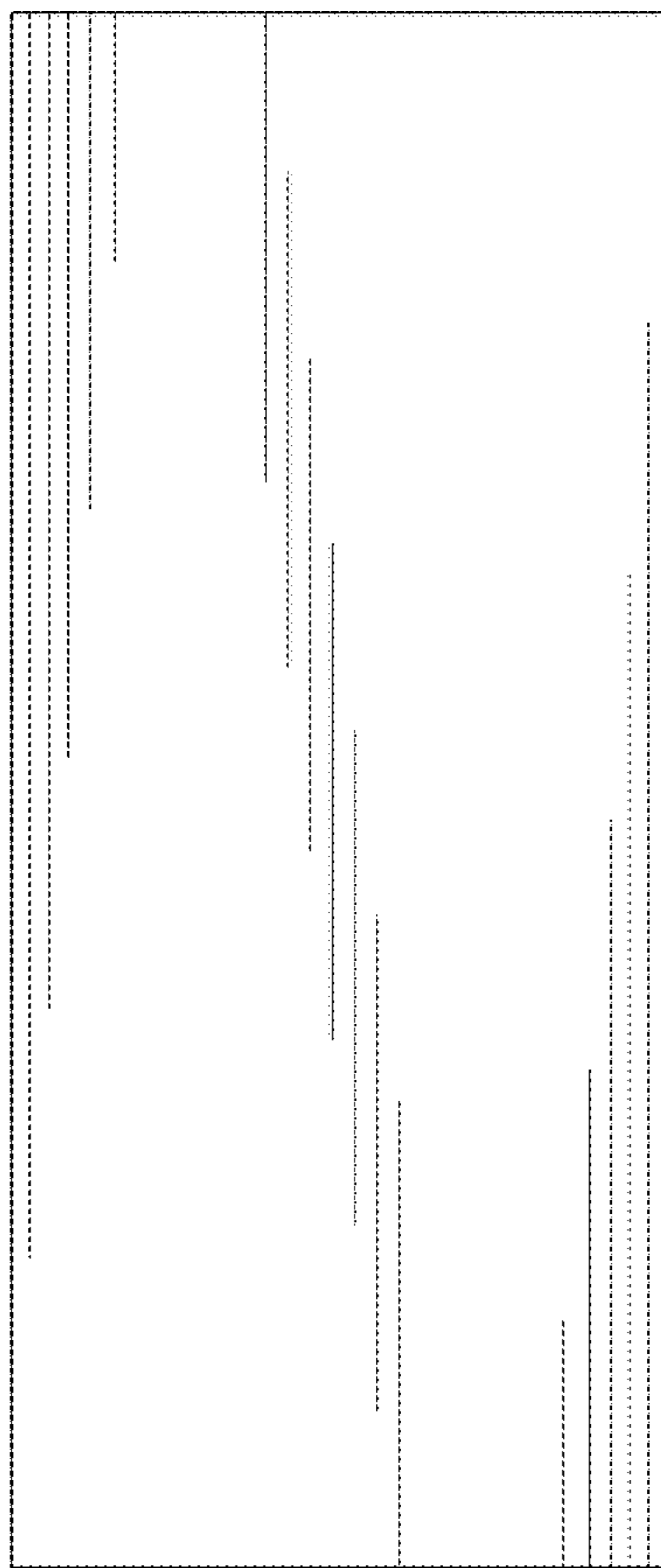


FIG. 6

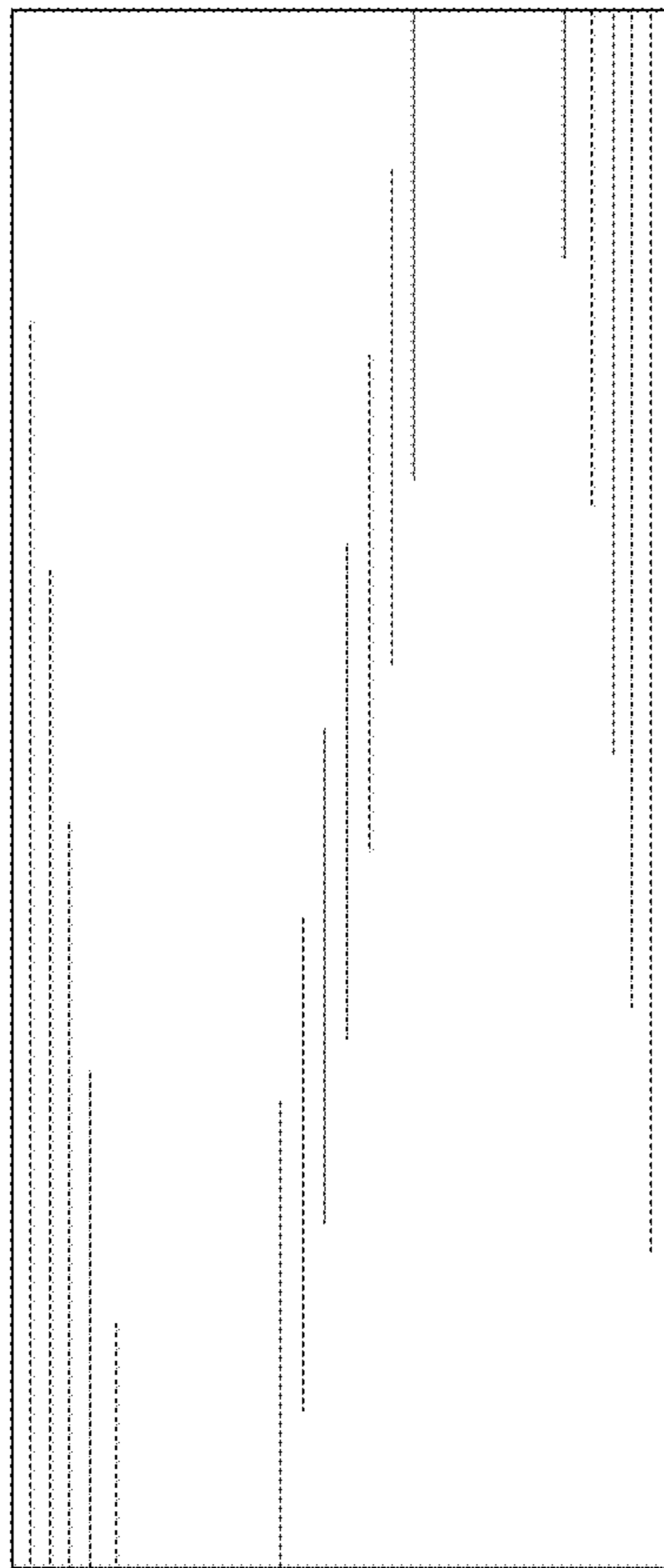


FIG. 7

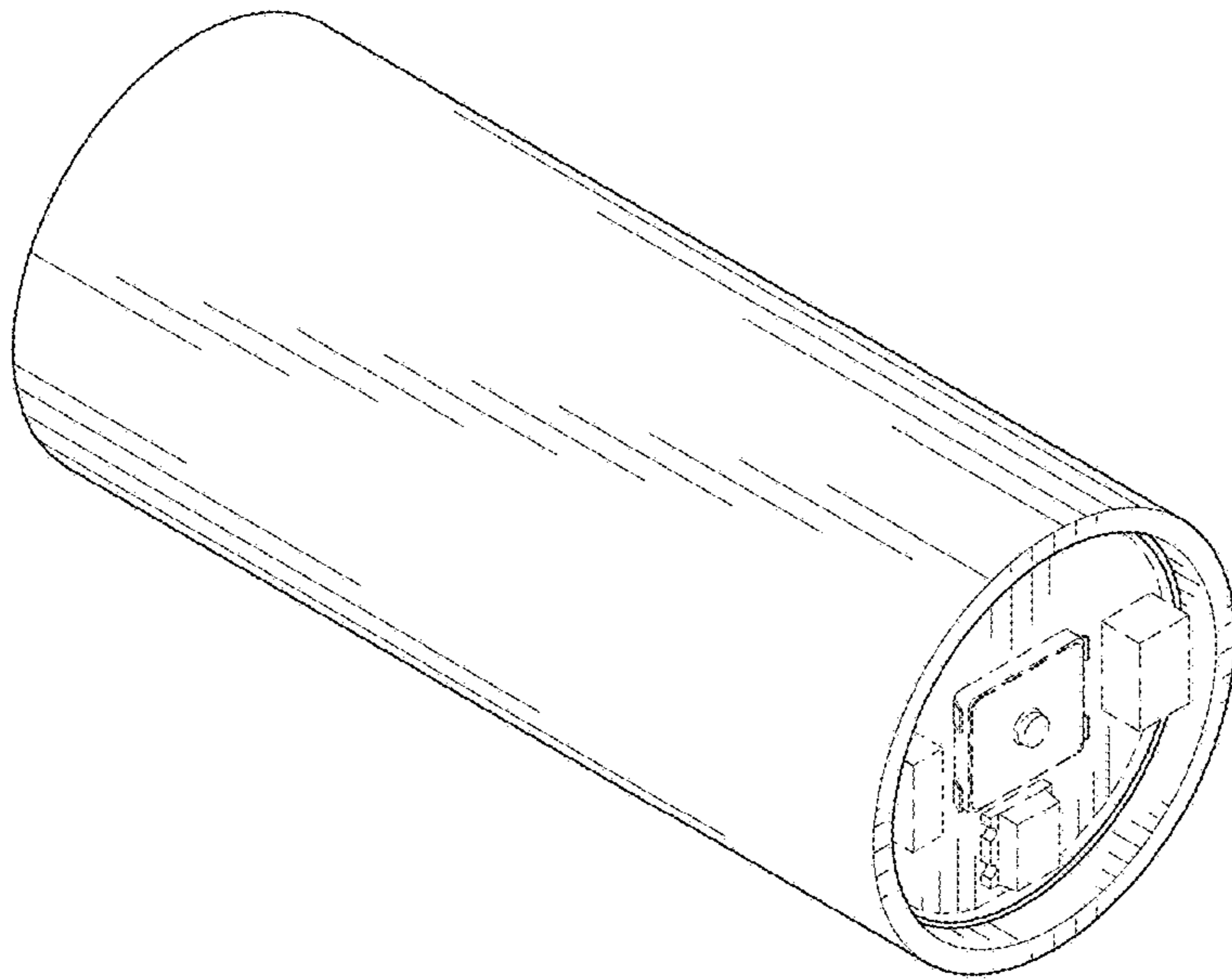


FIG. 8

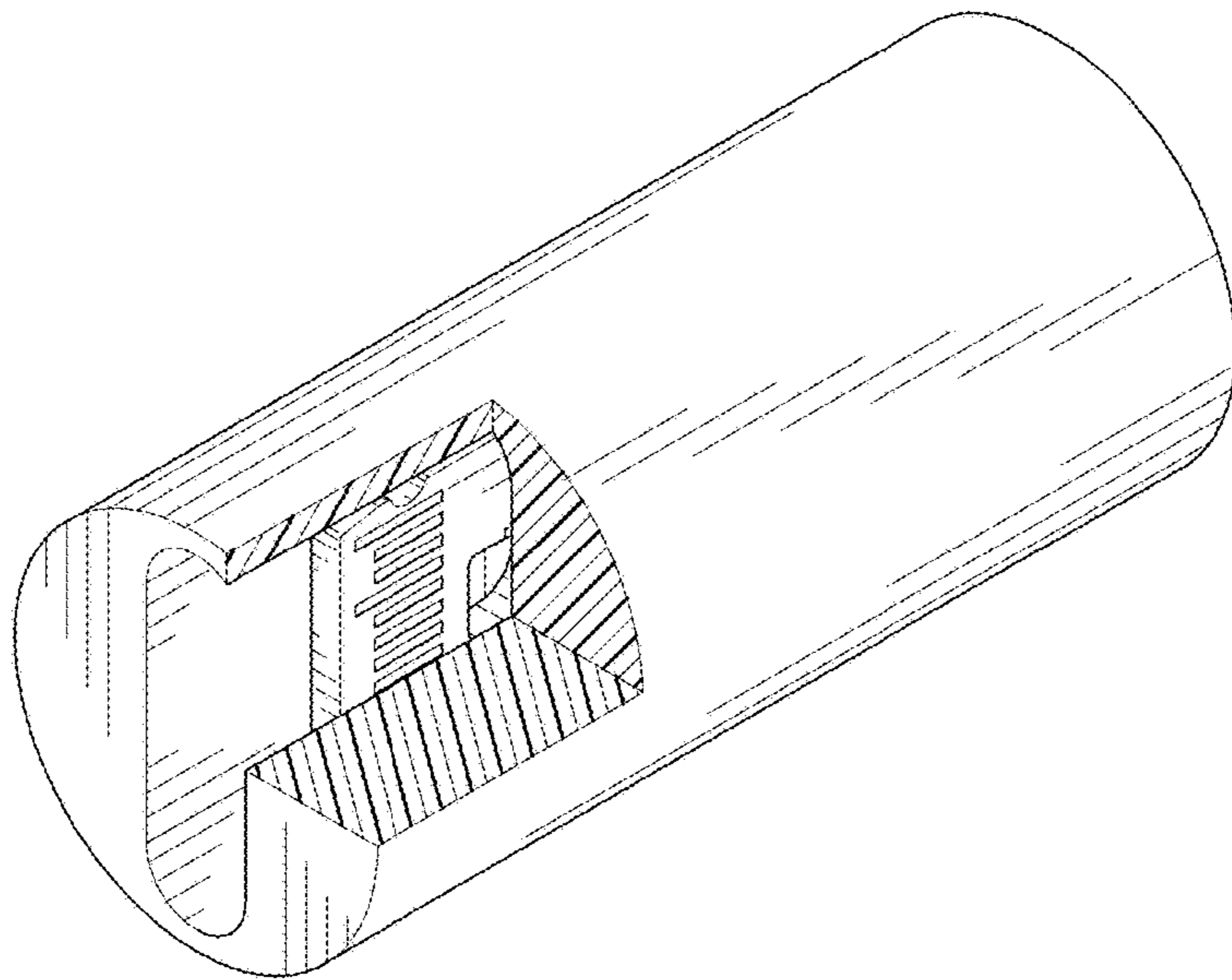


FIG. 9