



US00D855053S

(12) **United States Design Patent**
Hickman

(10) **Patent No.:** **US D855,053 S**

(45) **Date of Patent:** **** Jul. 30, 2019**

(54) **BIOMETRICS ACQUISITION DEVICE**

(71) Applicant: **EyeLock LLC**, New York, NY (US)

(72) Inventor: **Chad A. Hickman**, Indianapolis, IN (US)

(73) Assignee: **Eyelock LLC**, New York, NY (US)

(**) Term: **15 Years**

(21) Appl. No.: **29/642,558**

(22) Filed: **Mar. 30, 2018**

(51) **LOC (11) Cl.** **14-02**

(52) **U.S. Cl.**
USPC **D14/384**

(58) **Field of Classification Search**
USPC D14/356–358, 383–385, 420, 426, 427,
D14/432–439, 447, 453, 454, 217, 253,
D14/299, 307; D13/107, 108, 133, 146,
D13/147, 152, 154, 156, 158, 162, 162.1,
D13/168, 173, 177, 102; 235/441, 451,
235/492, 380, 439, 375; 361/679.31, 600,
361/679.01, 679.02
CPC G07C 9/00103; G07C 9/00039; G07C
9/00904; G06K 5/00; G06K 7/01
See application file for complete search history.

(56) **References Cited**

U.S. PATENT DOCUMENTS

D466,119 S * 11/2002 Funahashi D14/384
D508,245 S * 8/2005 Ozolins D14/383
D535,992 S * 1/2007 Ozolins D14/383
D648,722 S * 11/2011 Meyerhoffer D14/341

D718,307 S * 11/2014 Ozolins D14/383
D727,901 S * 4/2015 Nishimura D14/383
D736,207 S * 8/2015 Bousfield D14/385
D761,260 S * 7/2016 Luo D14/383
D784,332 S * 4/2017 Hsu D14/383
D785,623 S * 5/2017 Kaiya D14/384
D791,133 S * 7/2017 Brownlee D14/384
D821,396 S * 6/2018 Kumar D14/384
D825,562 S * 8/2018 Segal D14/384
D837,213 S * 1/2019 Kaiya D14/407
D838,271 S * 1/2019 Kaneko D14/384
D839,874 S * 2/2019 Biesaat D14/383

* cited by examiner

Primary Examiner — Austin Murphy

(74) *Attorney, Agent, or Firm* — Foley & Lardner LLP

(57) **CLAIM**

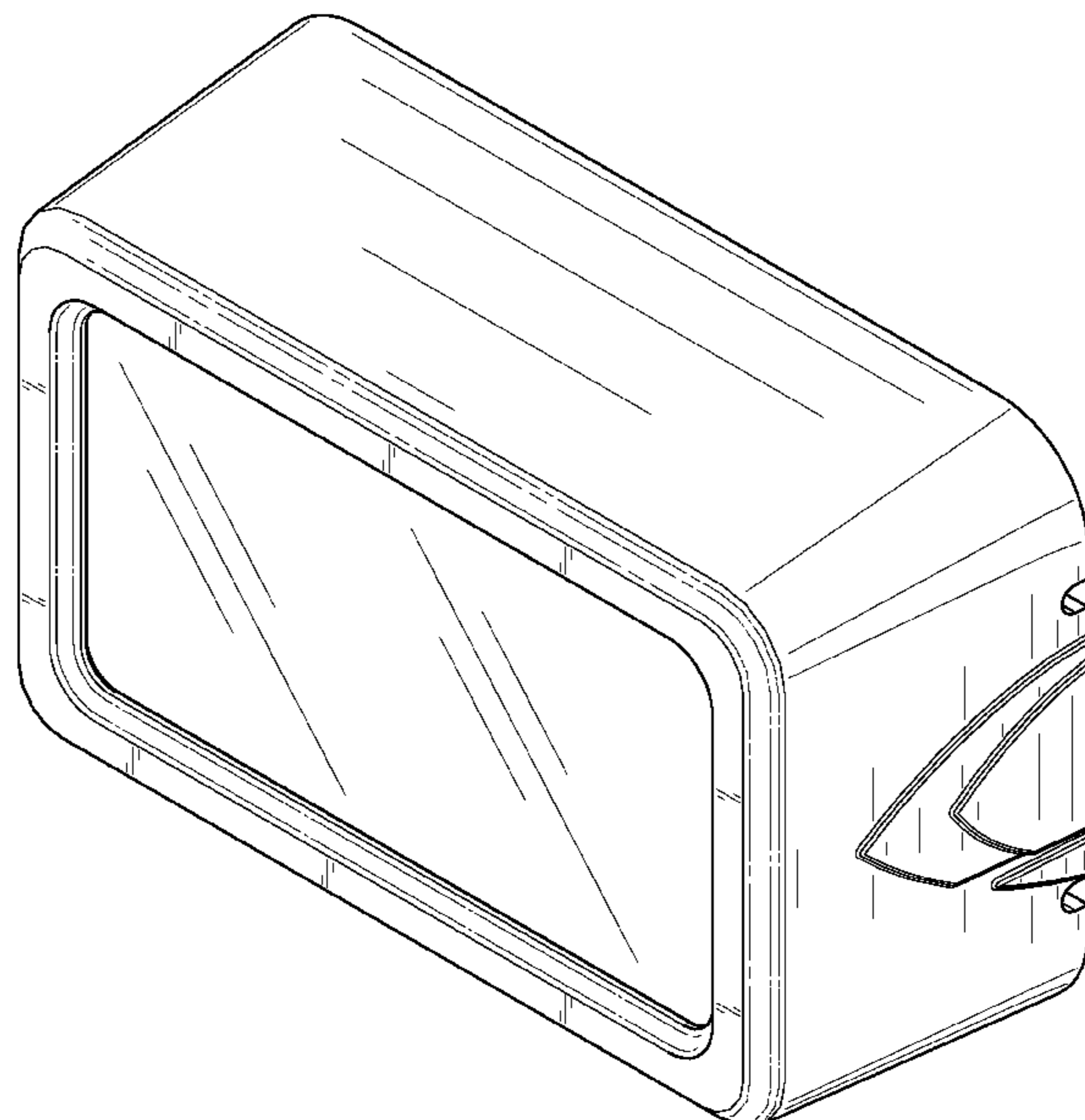
I claim the ornamental design for a biometrics acquisition device, as shown and described.

DESCRIPTION

FIG. 1 is a front perspective view of the claimed design;
FIG. 2 is a front view thereof;
FIG. 3 is a rear view thereof;
FIG. 4 is a left side view thereof;
FIG. 5 is a right side view thereof;
FIG. 6 is a top view thereof; and,
FIG. 7 is a bottom view thereof.

The ornamental design which is claimed is shown in solid lines in the drawings. The broken lines in the drawings are for illustrative purposes only and form no part of the claimed design. Oblique lines show a transparent, translucent, highly polished, or reflective surface, and not surface ornamentation.

1 Claim, 7 Drawing Sheets



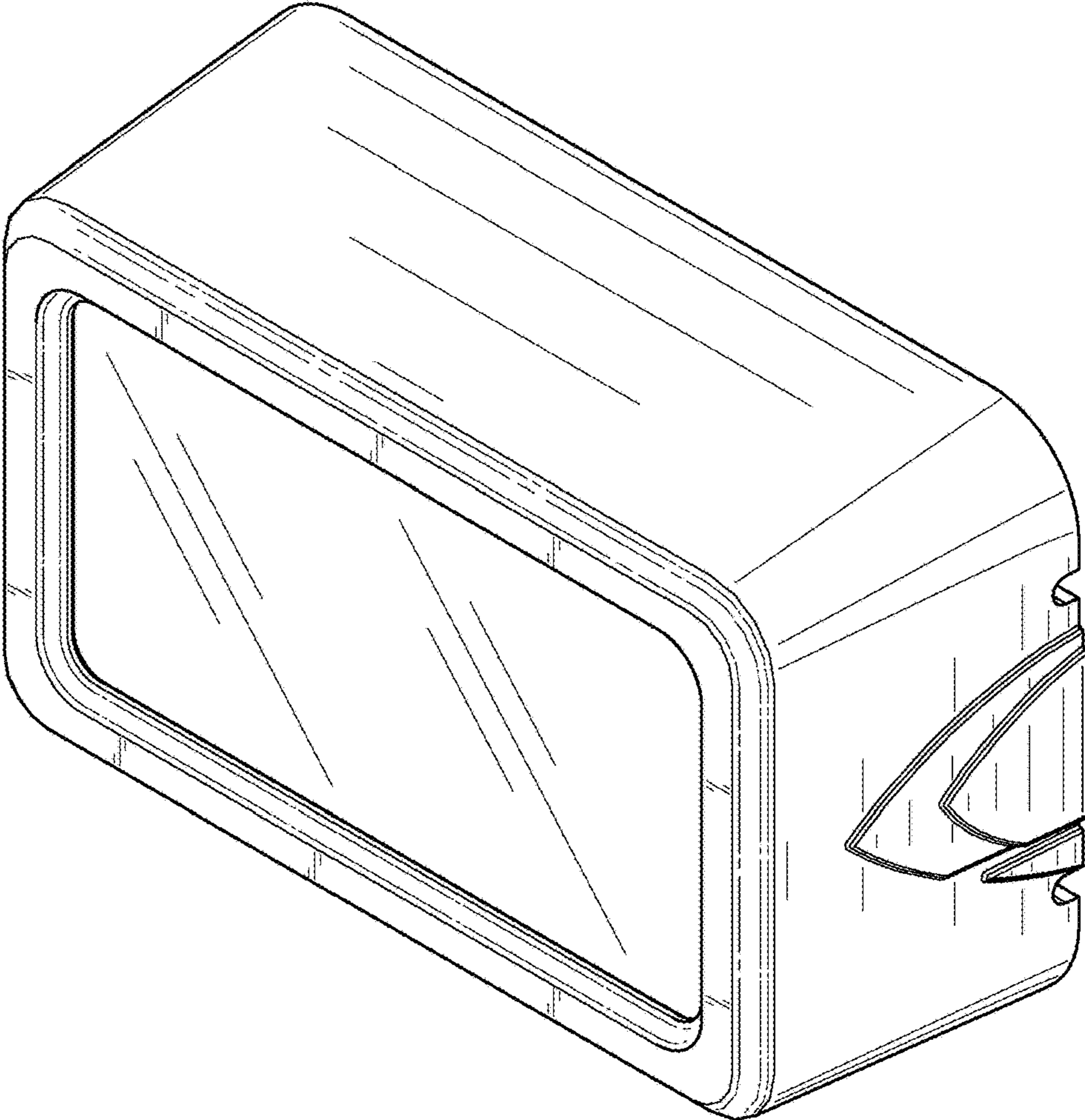


FIG. 1

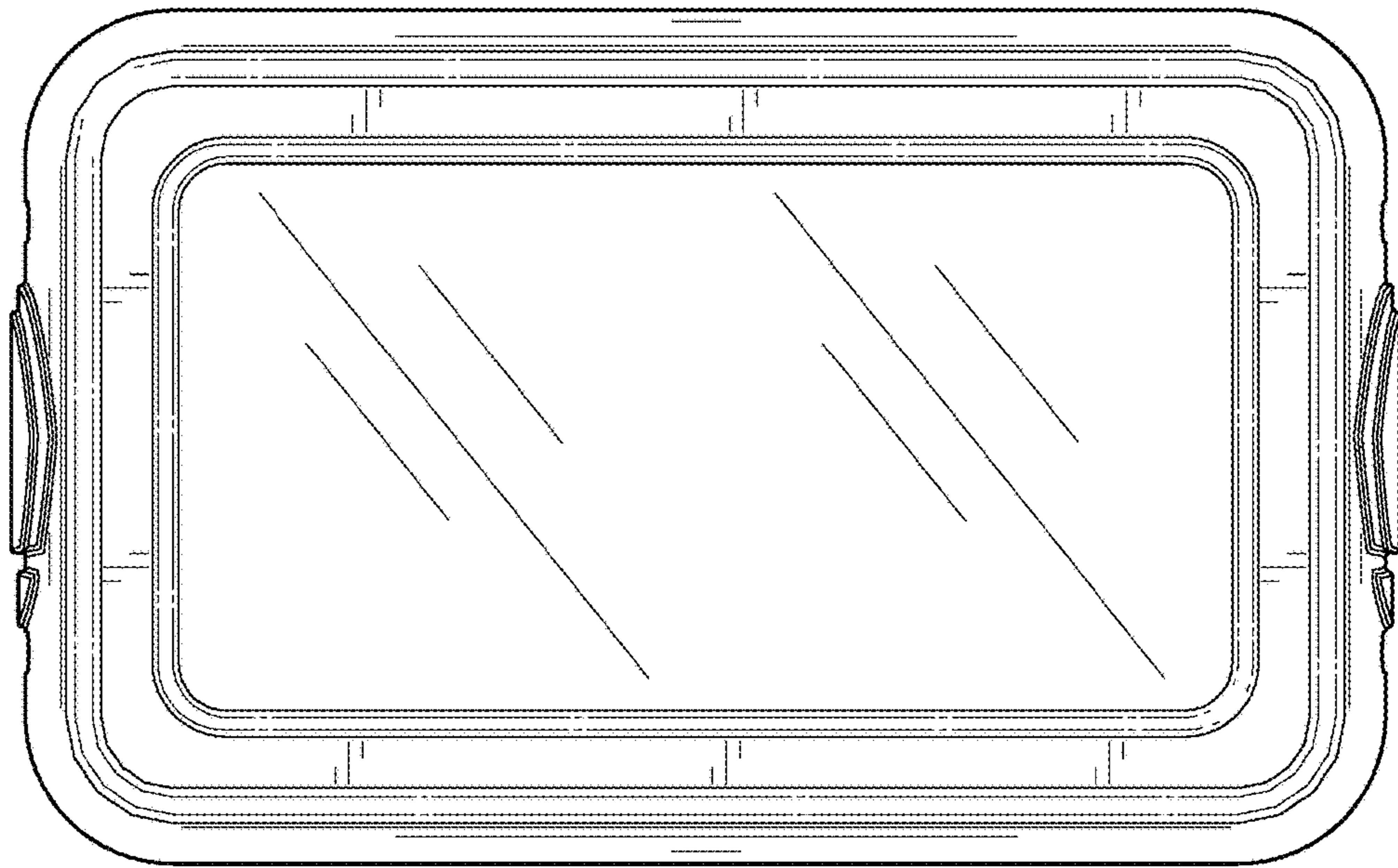


FIG. 2

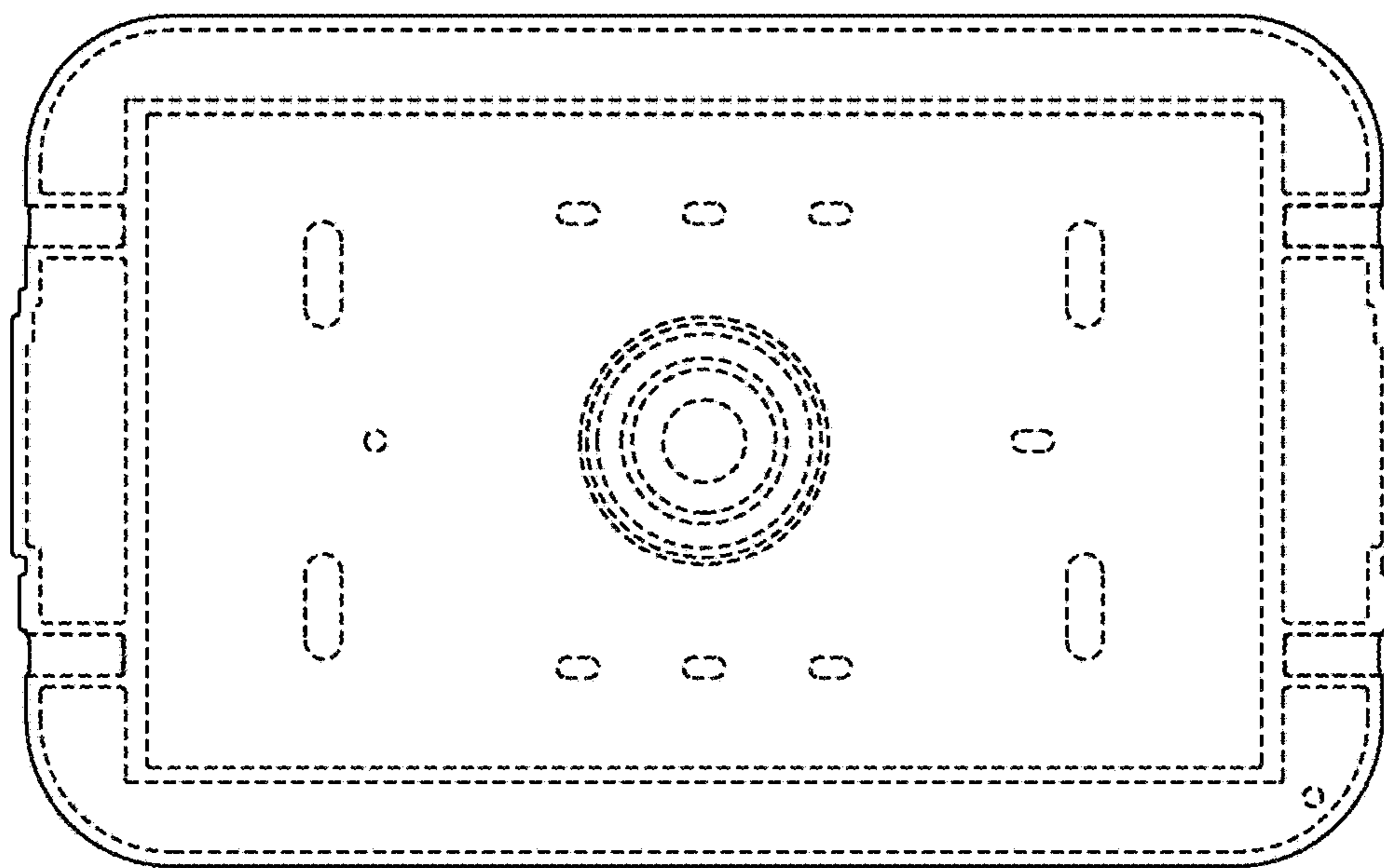


FIG. 3

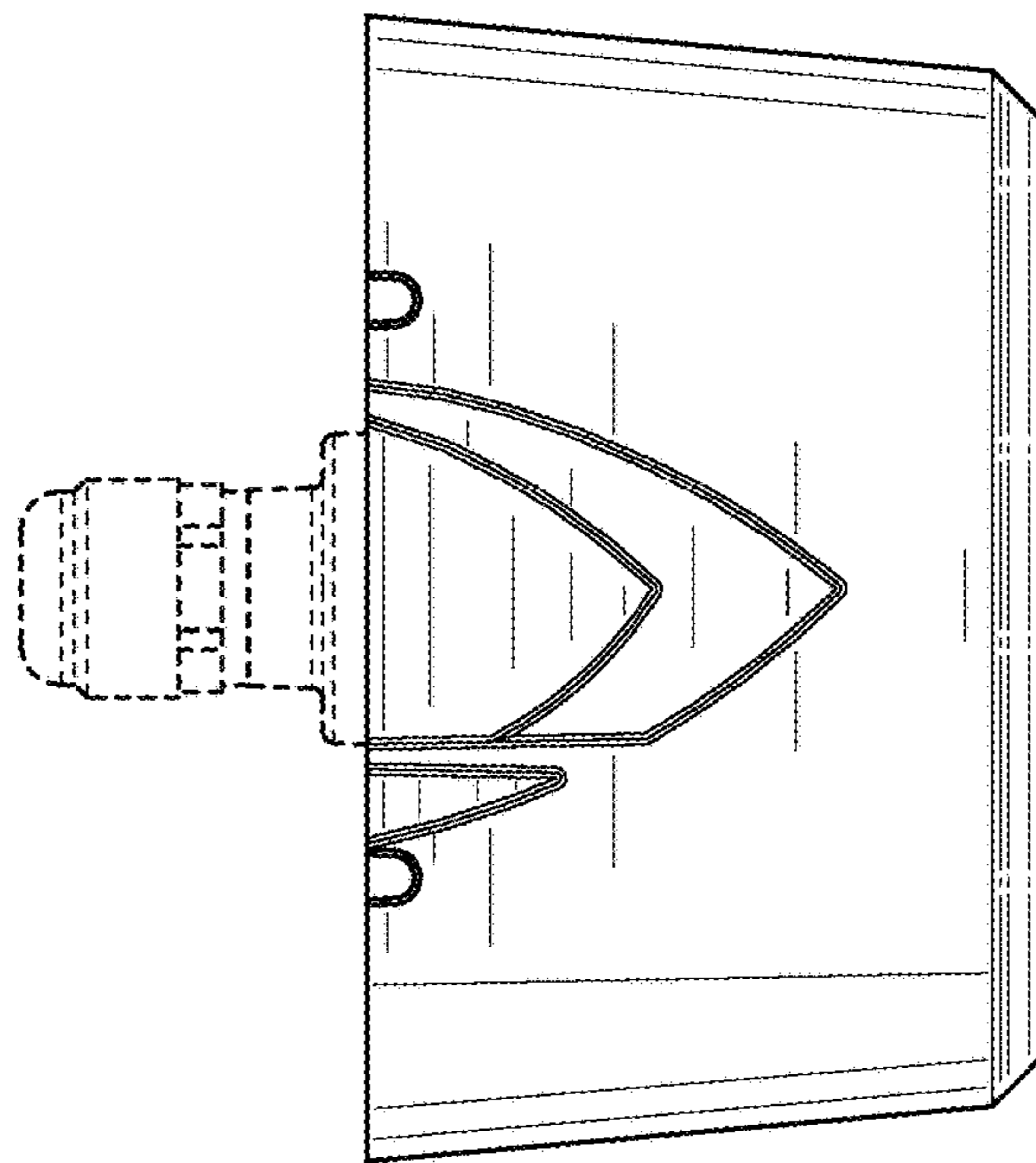


FIG. 4

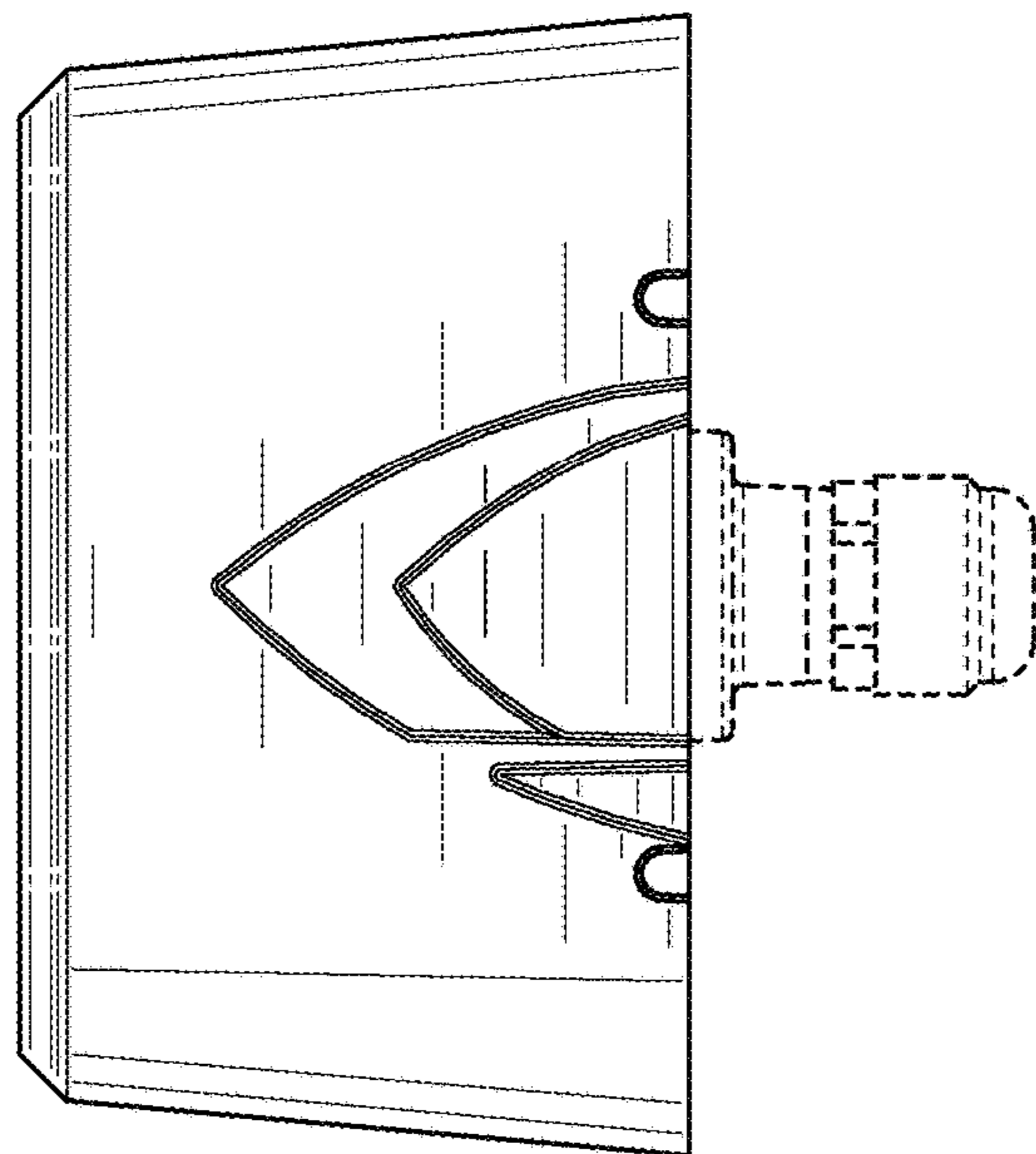


FIG. 5

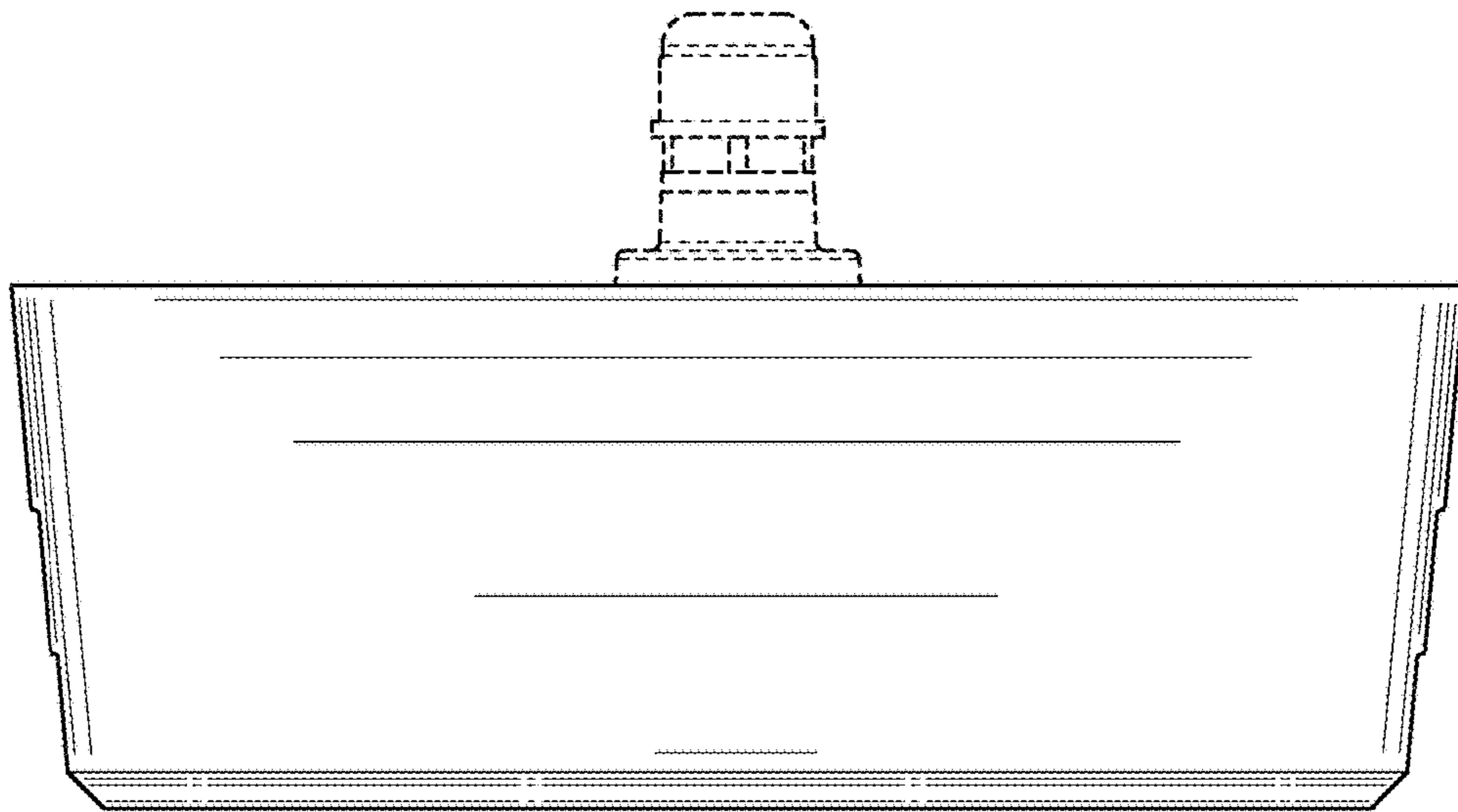


FIG. 6

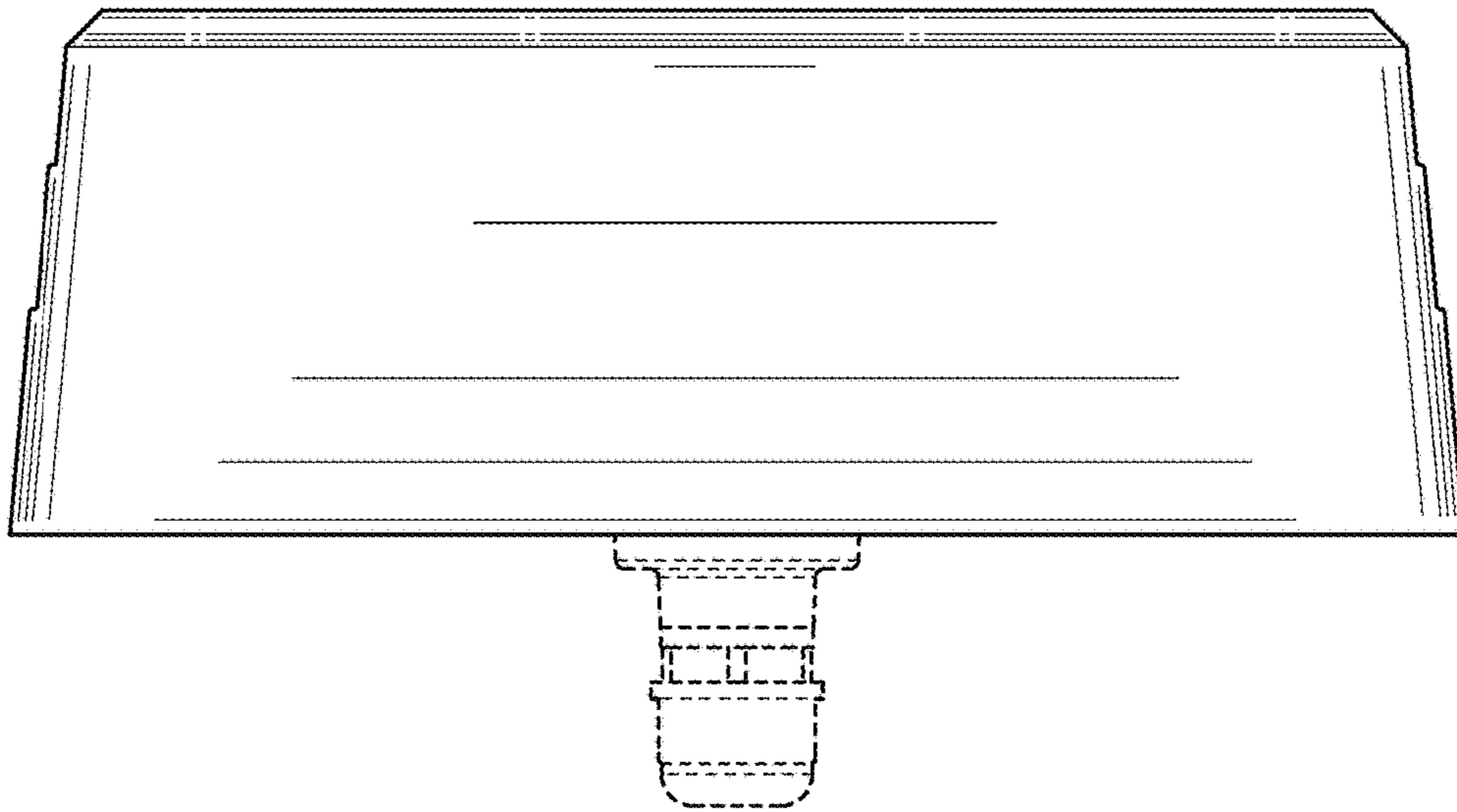


FIG. 7