



US00D855052S

(12) **United States Design Patent**
Jiang

(10) **Patent No.:** **US D855,052 S**
(45) **Date of Patent:** **** Jul. 30, 2019**

(54) **TABLET COMPUTER**

(71) Applicant: **Lenovo (Beijing) Co., Ltd.**, Beijing (CN)

(72) Inventor: **Hao Jiang**, Beijing (CN)

(73) Assignee: **LENOVO (BEIJING) CO., LTD.**, Beijing (CN)

(**) Term: **15 Years**

(21) Appl. No.: **29/550,196**

(22) Filed: **Dec. 31, 2015**

(30) **Foreign Application Priority Data**

Oct. 30, 2015 (CN) 2015 3 0427408

(51) **LOC (11) Cl.** **14-02**

(52) **U.S. Cl.**
USPC **D14/341; D16/208**

(58) **Field of Classification Search**
USPC D10/50, 60, 65, 104.1; D21/324, 329; D34/29; D11/12, 13; D13/103; D18/6; D6/524; D16/208, 229, 136, 214, 204, D16/221, 20; D14/447, 224, 341-347, D14/137, 138 R, 138 AA, 138 C, 138 G, D14/496, 203.1, 203.2, 203.4, 203.7, 129, D14/130, 147, 218, 248, 389, 388, 426, D14/420, 440, 432
CPC F16M 11/20; F16M 13/00; A63H 33/3016; G06F 1/1613; G06F 1/1647; G06F 1/1641; G06F 3/04883; G06F 3/0486; H04M 1/0279; H04M 1/0281; H04M 1/0283

See application file for complete search history.

(56) **References Cited**

U.S. PATENT DOCUMENTS

1,833,999 A * 12/1931 McCaskey B65D 83/00 225/44

2,304,795 A * 12/1942 Bricker A47G 1/142 248/453
D326,471 S * 5/1992 Chen D18/6
(Continued)

OTHER PUBLICATIONS

Yoga Tablets, announced Sep. 3, 2015 [online], [site visited Jun. 22, 2017], Available from Internet, URL: <https://www.forbes.com/sites/federicoguerrini/2015/09/03/dual-selfie-camera-smartphones-yoga-tablets-smartwatches-and-pcs-lenovo-occupies-the-ifa/#2815b96c1057>.*

(Continued)

Primary Examiner — Barbara Fox

Assistant Examiner — Mary C Ramirez

(74) *Attorney, Agent, or Firm* — Oppedahl Patent Law Firm LLC

(57) **CLAIM**

The ornamental design for a tablet computer, as shown and described.

DESCRIPTION

FIG. 1 is a front elevation view of a tablet computer showing the new design in a closed position;
FIG. 2 is a rear elevation view thereof;
FIG. 3 is a left side elevation view thereof;
FIG. 4 is a right side elevation view thereof;
FIG. 5 is a top plan view thereof;
FIG. 6 is a bottom plan view thereof;
FIG. 7 is a rear isometric view thereof;
FIG. 8 is a front elevation view of a tablet computer showing the new design in an open position;

(Continued)

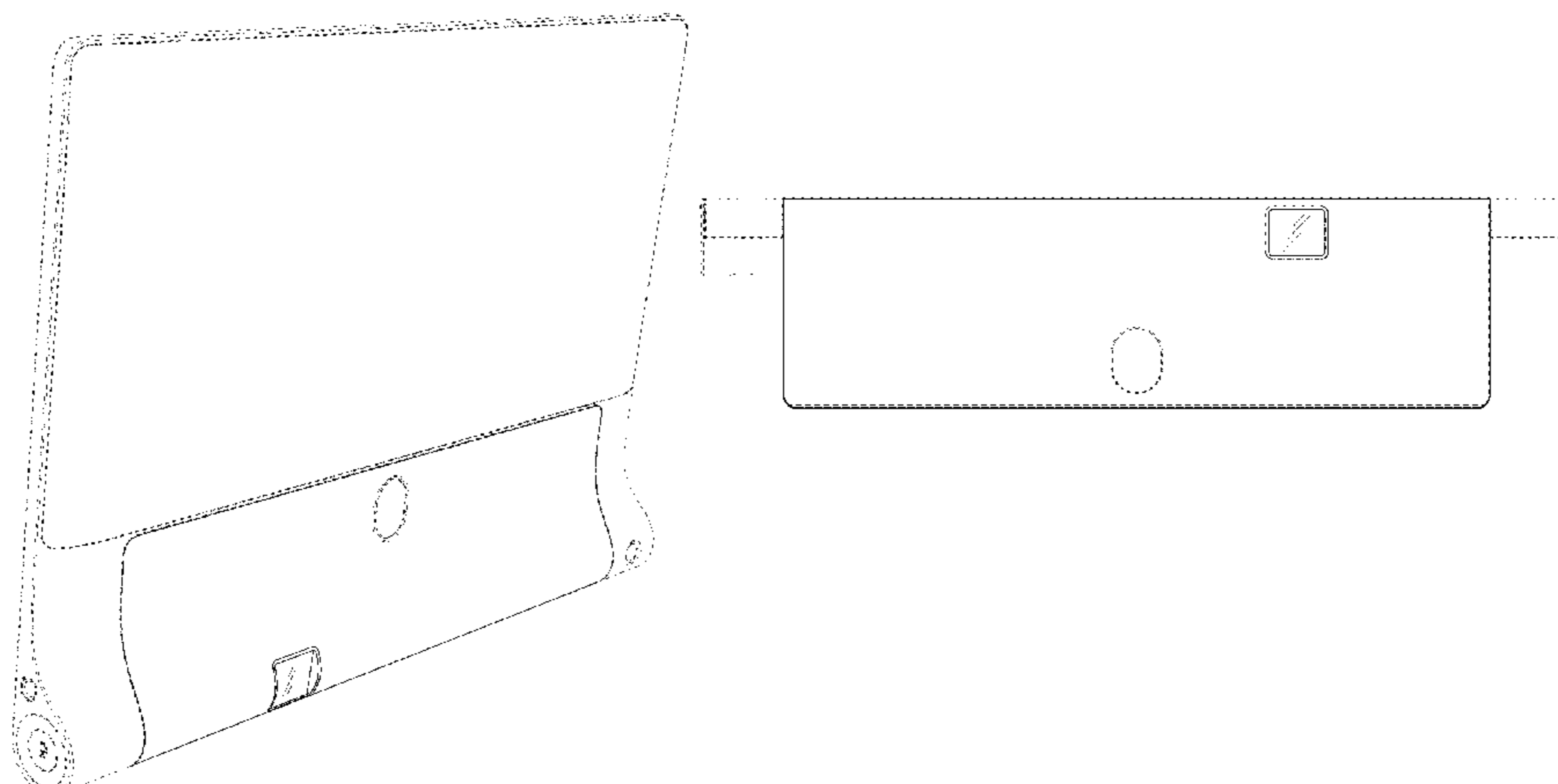


FIG. 9 is a rear elevation view thereof;
 FIG. 10 is a left side elevation view thereof;
 FIG. 11 is a right side elevation view thereof;
 FIG. 12 is a top plan view thereof;
 FIG. 13 is a bottom plan view thereof; and,
 FIG. 14 is a rear isometric view thereof.
 The broken lines shown in the drawings depict portions of the tablet computer that form no part of the claimed design.

1 Claim, 10 Drawing Sheets

(56)

References Cited

U.S. PATENT DOCUMENTS

D334,398 S * 3/1993 Conard D18/7
 5,537,175 A * 7/1996 Kamaya G03B 11/06
 348/E5.025
 D374,252 S * 10/1996 Stambolic D21/329
 D385,269 S * 10/1997 Kim D14/137
 D424,953 S * 5/2000 Brownlie D10/50
 D475,645 S * 6/2003 Hoonsbeen D10/104.1
 D483,784 S * 12/2003 Ting D16/208
 D486,469 S * 2/2004 Morita D14/167
 D491,971 S * 6/2004 Oross D16/225
 D502,459 S * 3/2005 Lee D14/138 AB
 D506,767 S * 6/2005 Imai D16/200
 D521,508 S * 5/2006 Ting D14/341
 D521,971 S * 5/2006 Kim D14/138 AB
 7,059,732 B2 * 6/2006 Oross G03B 21/30
 348/E5.143
 D556,166 S * 11/2007 Lee D14/138 AB
 D566,181 S * 4/2008 Gerules D19/113
 D585,861 S * 2/2009 Kim D14/138 AB
 D588,126 S * 3/2009 Chiang D14/345
 7,528,885 B2 * 5/2009 Chou H04N 5/2252
 348/14.02
 D595,075 S * 6/2009 Ramos Peon D6/518
 D598,451 S * 8/2009 Andre D14/392
 D604,541 S * 11/2009 Bone D6/518
 D615,538 S * 5/2010 Huang D14/315
 D624,115 S * 9/2010 Ausems G06Q 20/0453
 D18/4.6
 D628,998 S * 12/2010 Wu D14/391
 D638,012 S * 5/2011 Tian D14/341
 D656,137 S * 3/2012 Chung D14/341
 D659,692 S * 5/2012 Jung D14/341
 D659,693 S * 5/2012 TerMeer D14/342
 D664,144 S * 7/2012 Akana D14/389
 D665,442 S * 8/2012 Tzeng D16/225
 D667,404 S * 9/2012 Akana D14/389
 D681,582 S * 5/2013 Park D14/138 C
 D690,692 S * 10/2013 Shin D14/341

D691,132 S 10/2013 Sharma D14/341
 D691,575 S * 10/2013 Park D14/138 AD
 D691,980 S * 10/2013 Park D14/138 G
 8,656,625 B2 * 2/2014 Holmberg A01K 89/08
 124/44.5
 8,714,428 B2 * 5/2014 Mallard B65D 83/0841
 225/58
 D706,261 S * 6/2014 Sharma D14/341
 D707,211 S * 6/2014 Ho D14/240
 D709,846 S * 7/2014 Oswaks D10/32
 D736,205 S * 8/2015 Park D14/138 R
 D749,564 S 2/2016 Cho D14/341
 D765,654 S * 9/2016 Fan D14/336
 D768,132 S 10/2016 Huang D14/374
 D773,463 S * 12/2016 Pradhan D14/420
 D782,469 S * 3/2017 Raken D14/341
 D782,470 S * 3/2017 Raken D14/341
 D782,473 S * 3/2017 Hong D14/341
 9,612,508 B2 * 4/2017 Lan G03B 21/145
 9,691,352 B2 * 6/2017 Zhang G09G 5/10
 D792,392 S 7/2017 Sharma D14/341
 9,706,179 B2 * 7/2017 Zhang H04N 9/31
 D794,629 S * 8/2017 Jiang D14/341
 9,727,089 B2 * 8/2017 Zheng G06F 1/1656
 9,733,553 B2 * 8/2017 Zhang G06F 1/16
 D797,721 S * 9/2017 Fan D14/341
 D799,475 S * 10/2017 Fan D14/341
 9,778,680 B2 * 10/2017 Zheng G06F 1/1601
 D802,585 S * 11/2017 Huang D14/341
 D816,666 S * 5/2018 Jiang D14/341
 D823,303 S * 7/2018 Jiang D14/345
 D833,452 S * 11/2018 Helwig D14/455
 10,216,228 B2 * 2/2019 Zhang G06F 1/1643
 2002/0051075 A1 * 5/2002 Yamaguchi H04N 5/2254
 348/376
 2007/0241002 A1 * 10/2007 Wu G06F 1/1601
 206/150
 2013/0176681 A1 * 7/2013 Lee G06F 1/1626
 361/679.55
 2014/0319304 A1 * 10/2014 Kuan F16M 11/2021
 248/454
 2014/0347795 A1 * 11/2014 Baca H01F 7/0252
 361/679.01
 2015/0055012 A1 * 2/2015 Zheng G06F 1/1601
 348/373
 2016/0054756 A1 * 2/2016 Lan G03B 21/145
 353/101
 2016/0266478 A1 9/2016 Jiang G03B 29/00

OTHER PUBLICATIONS

Lenovo (Beijing) Co., L TD., "Tablet computer". Design U.S. Appl. No. 29/556,107, filed Feb. 26, 2016, not yet published; complete the specification, drawings, and filling receipt are attached hereto.

* cited by examiner

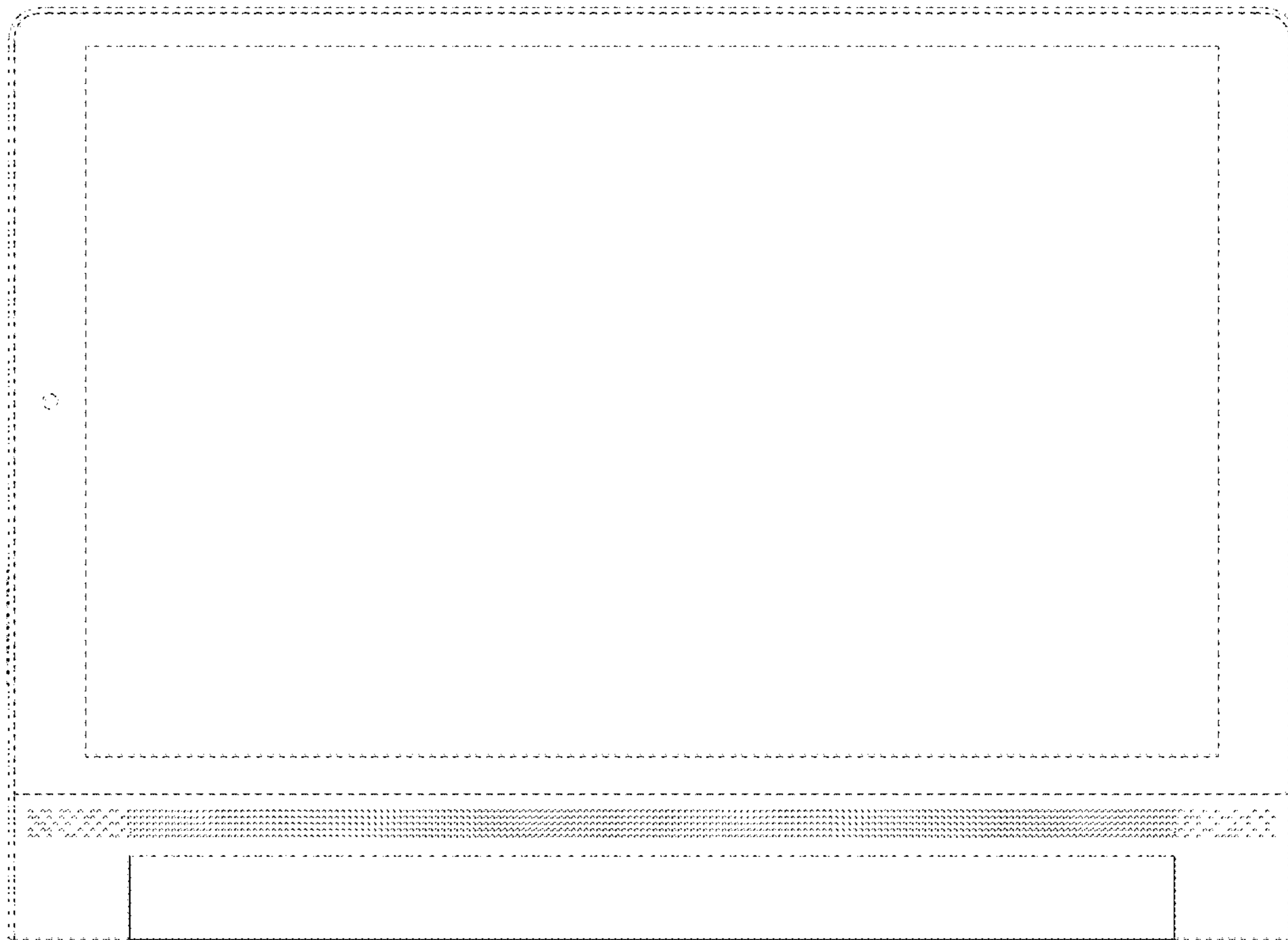


Fig.1

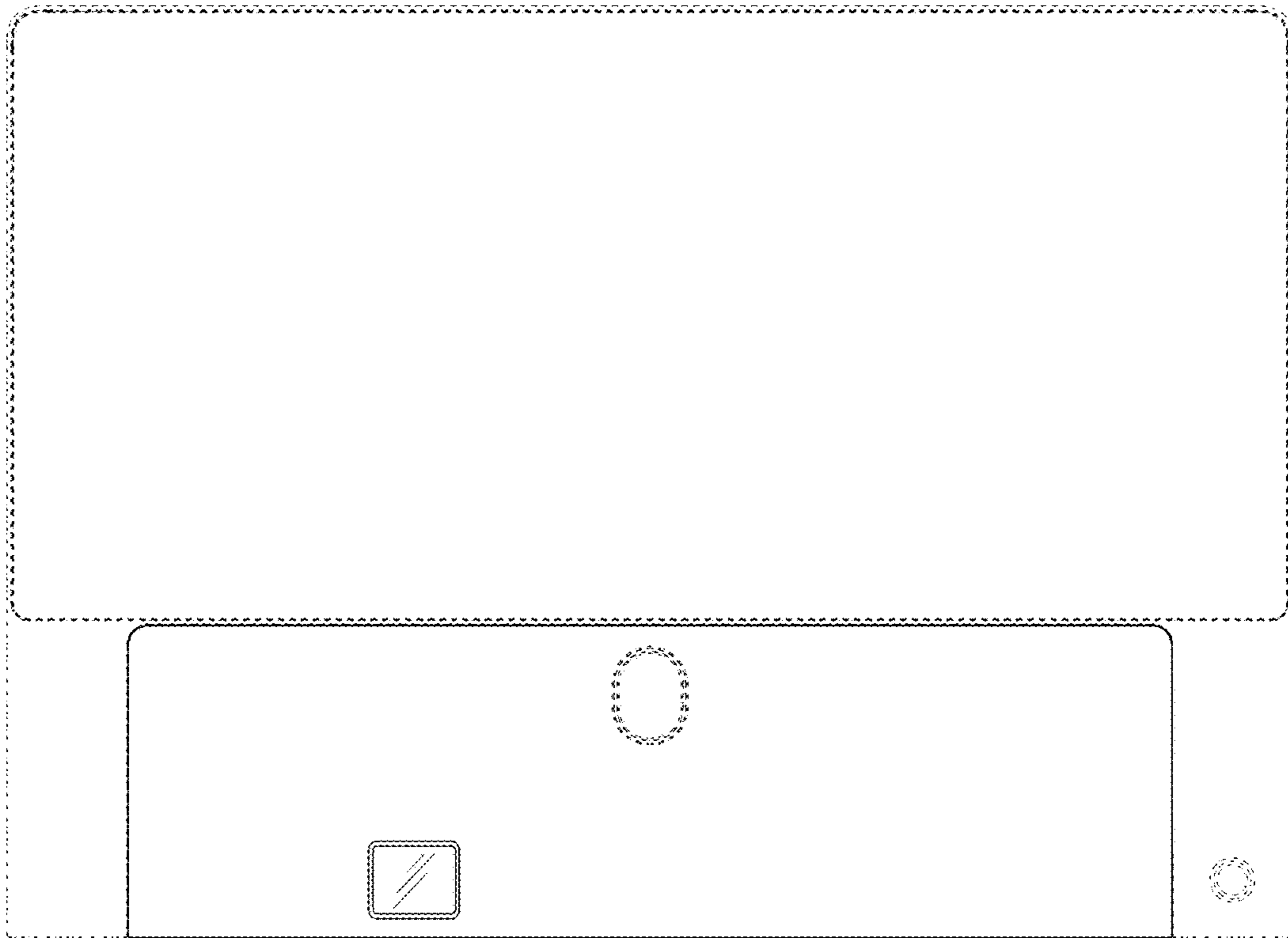


Fig.2

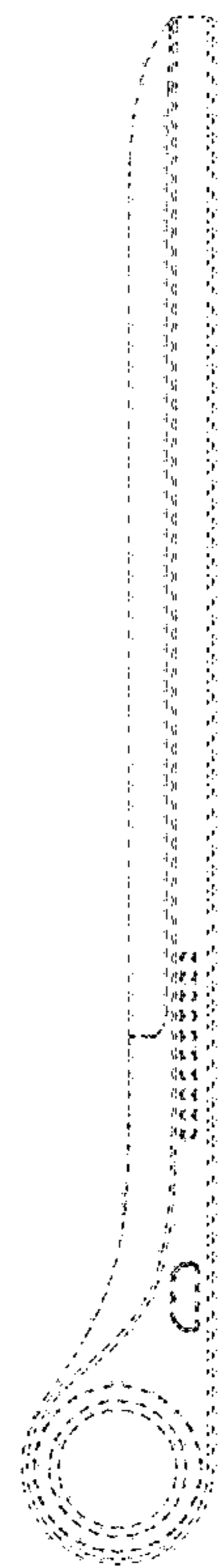


Fig.3

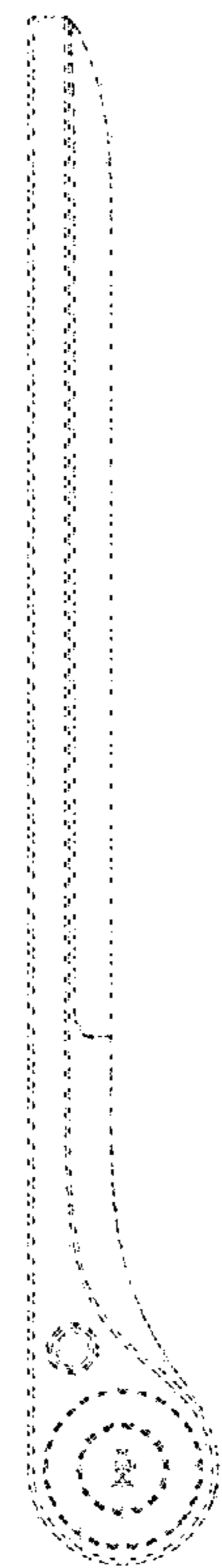


Fig.4

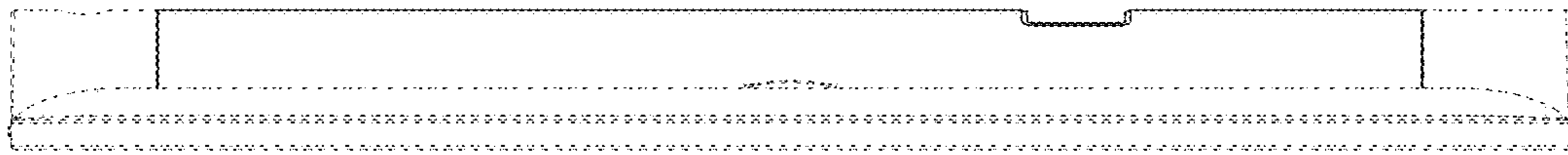


Fig.5



Fig.6

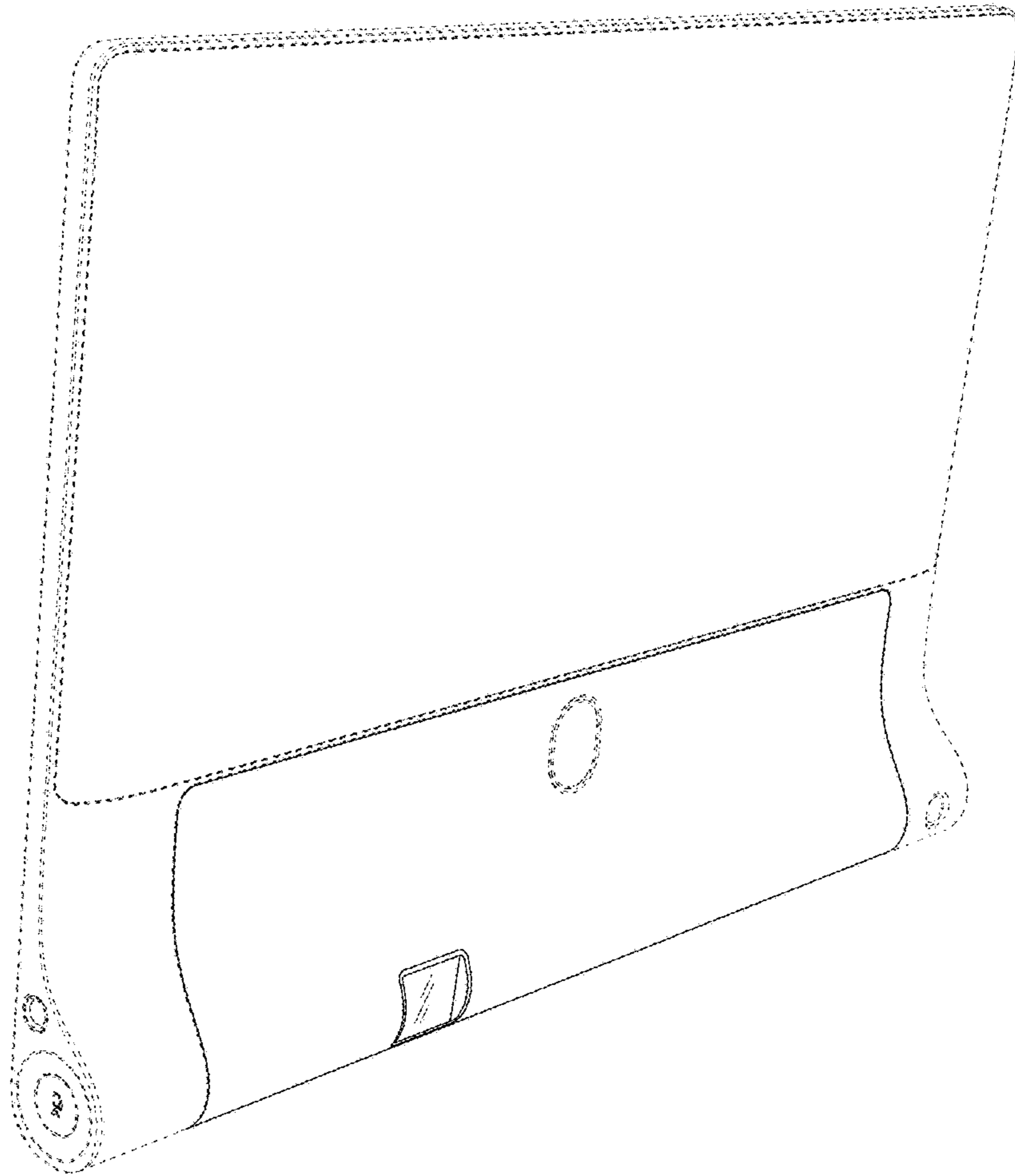


Fig.7

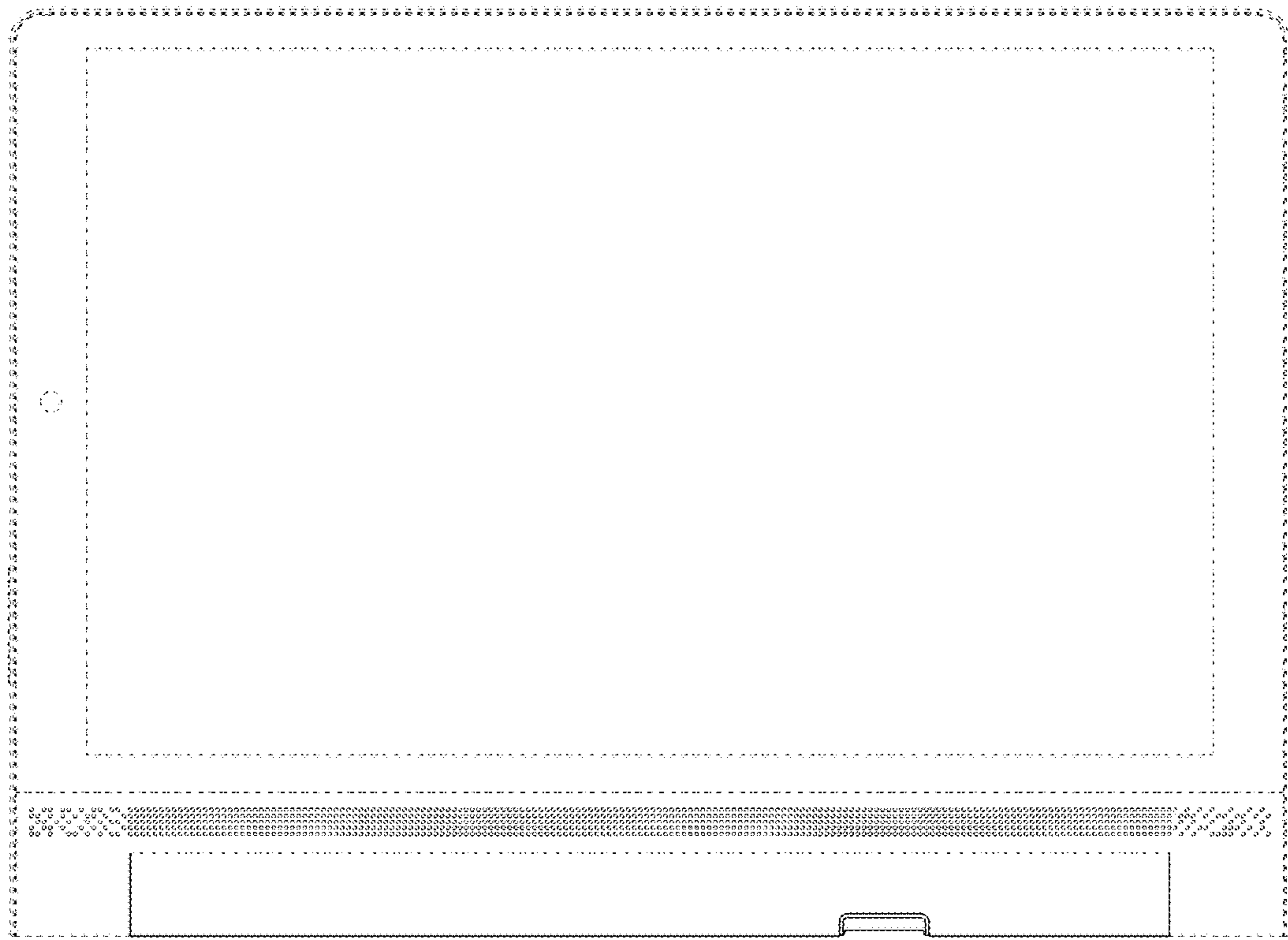


Fig.8

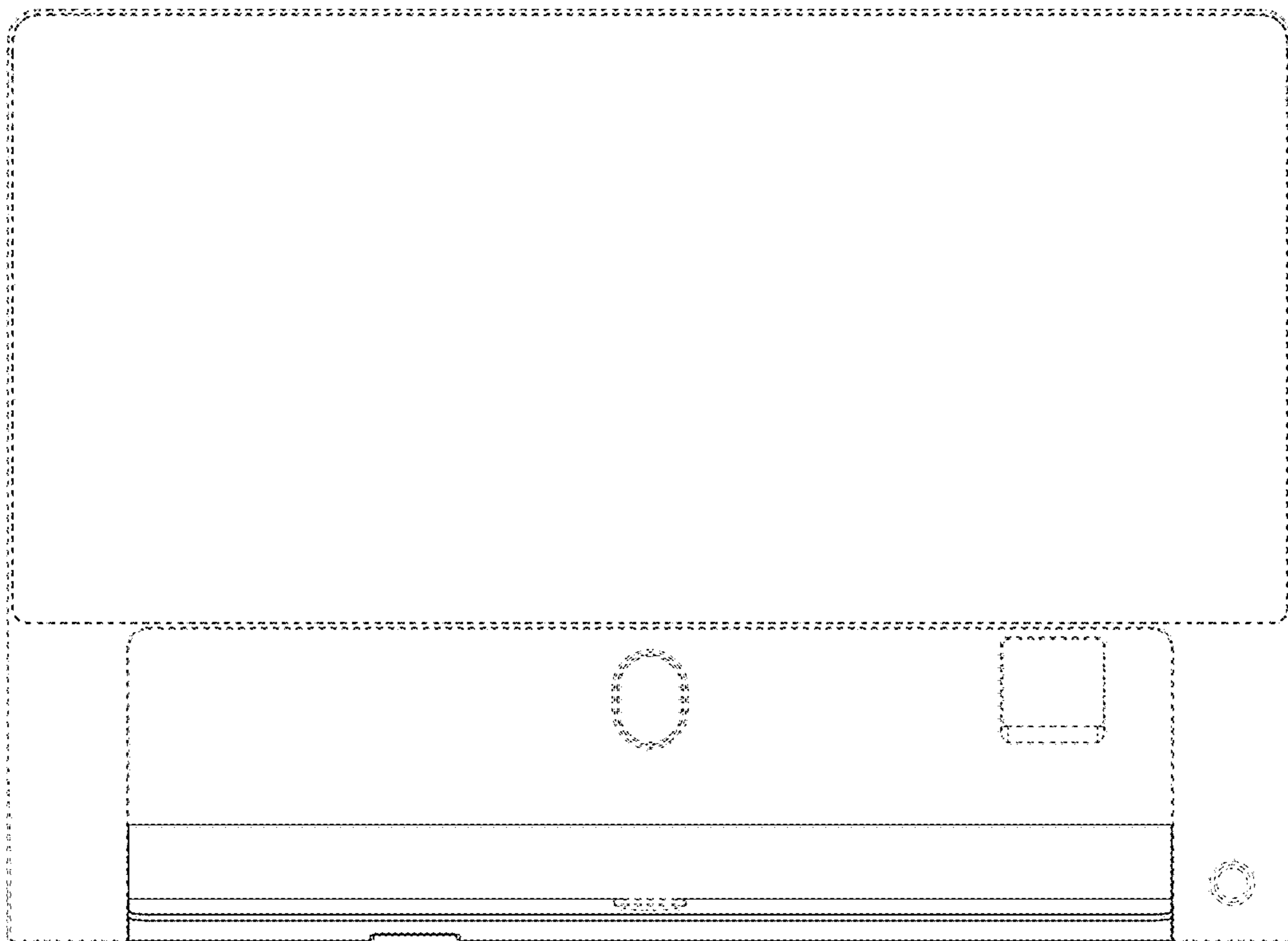


Fig.9

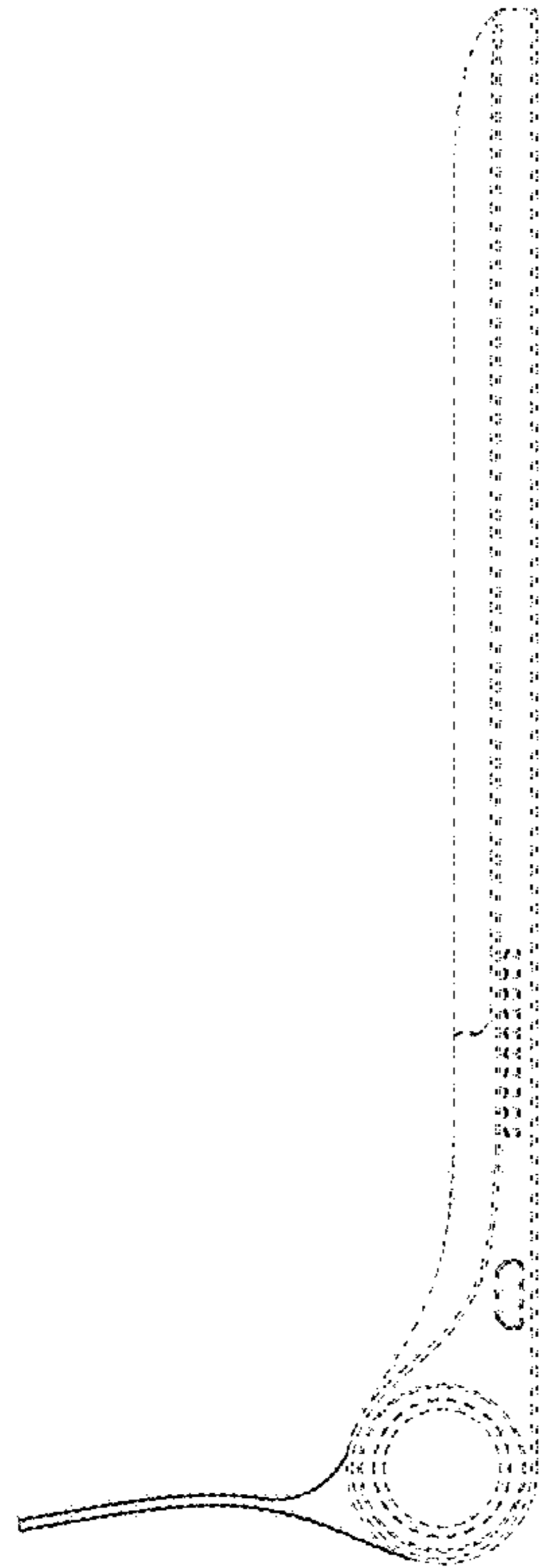


Fig.10

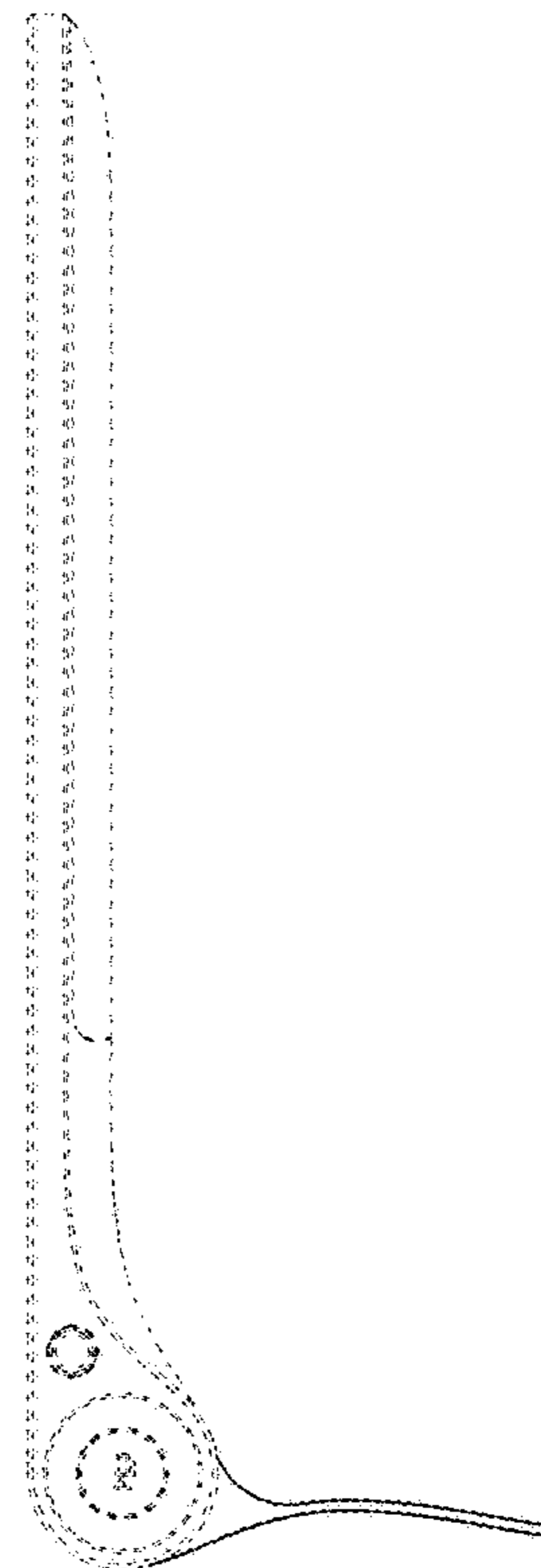


Fig.11

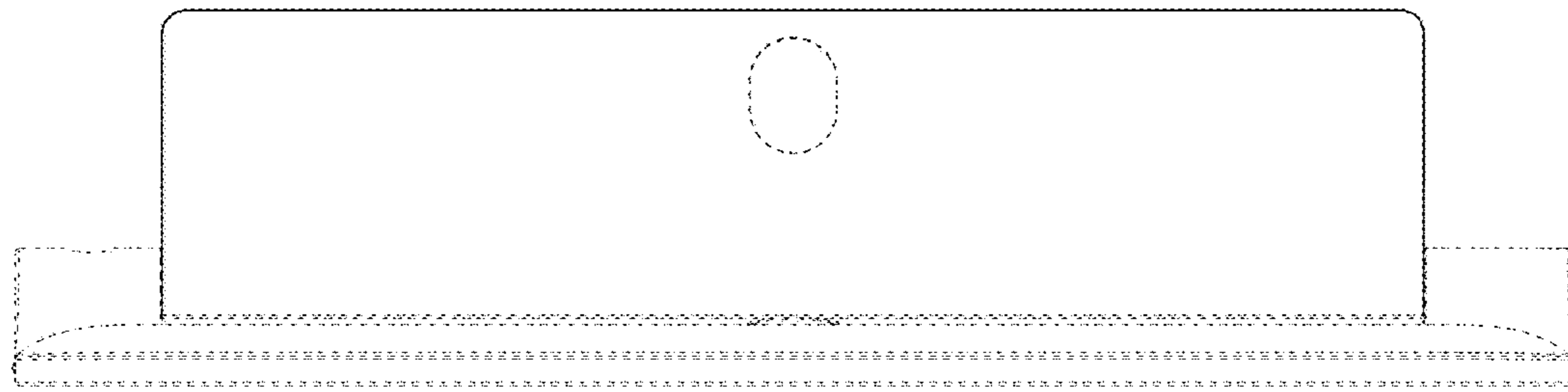


Fig. 12

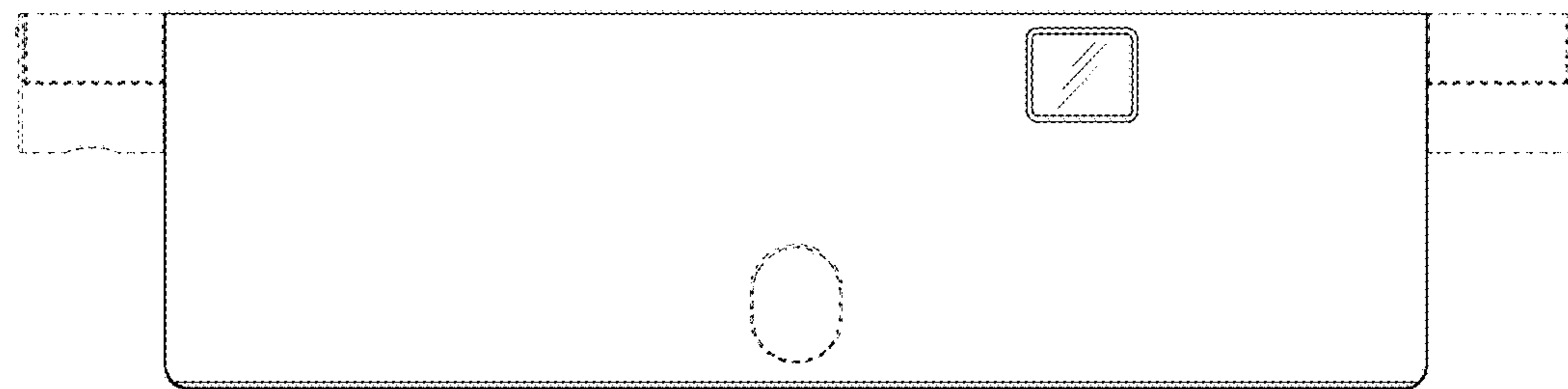


Fig. 13

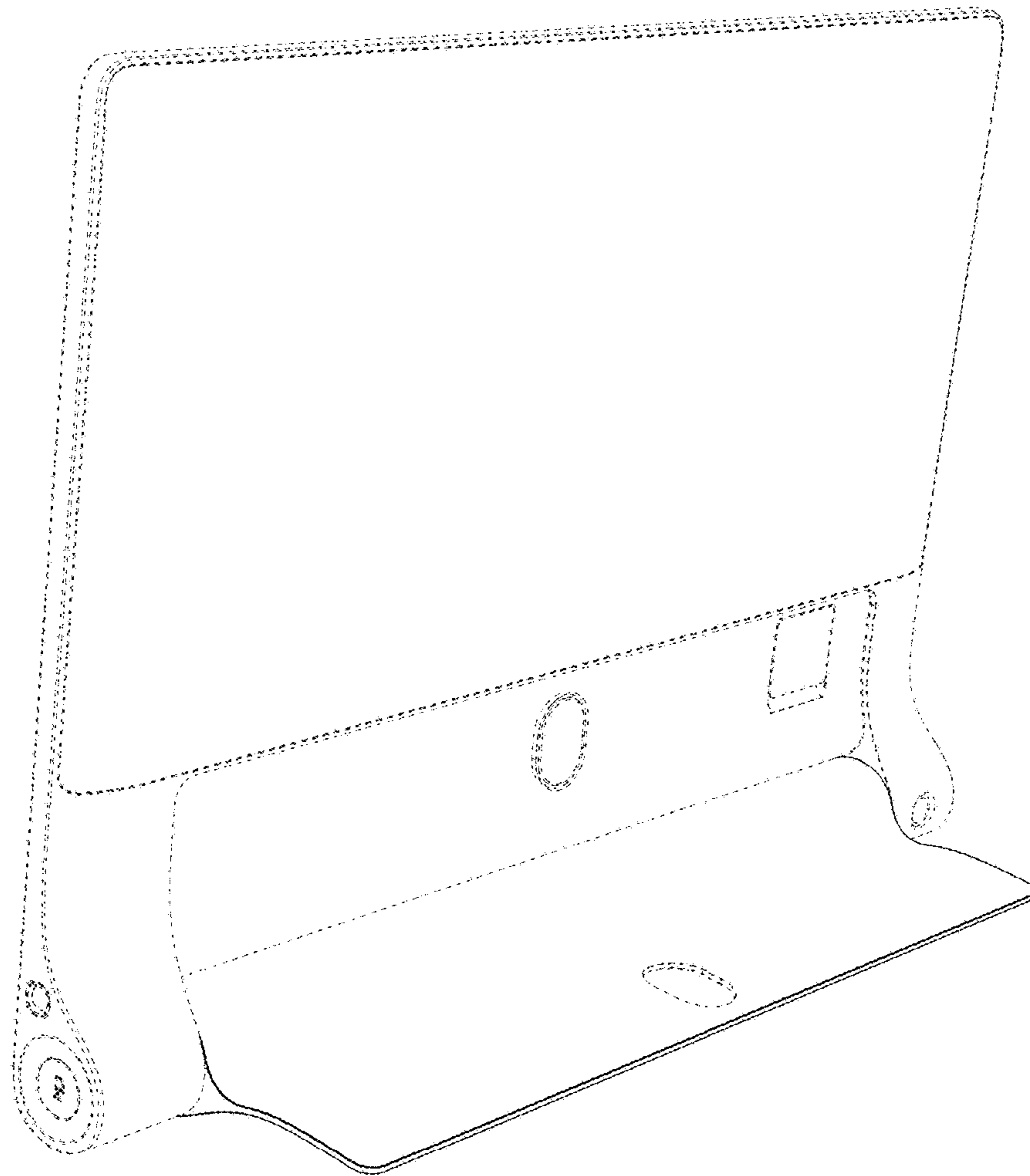


Fig.14