



US00D855050S

(12) **United States Design Patent** (10) **Patent No.:** **US D855,050 S**  
**Bongard et al.** (45) **Date of Patent:** **\*\* Jul. 30, 2019**

(54) **MOUNT FOR A PORTABLE DEVICE**  
(71) Applicant: **ARB Corporation Limited**, Kilsyth (AU)  
(72) Inventors: **Daniel Bongard**, Kilsyth (AU); **Andrew Brown**, Kilsyth (AU)  
(73) Assignee: **ARB CORPORATION LIMITED**, Kilsyth (AU)  
(\*\*) Term: **15 Years**  
(21) Appl. No.: **29/627,608**  
(22) Filed: **Nov. 28, 2017**  
(30) **Foreign Application Priority Data**  
Aug. 7, 2017 (AU) ..... 201714644  
(51) **LOC (11) Cl.** ..... **14-03**  
(52) **U.S. Cl.**  
USPC ..... **D14/253**; D14/447; D12/415  
(58) **Field of Classification Search**  
USPC ..... D14/250–254, 172, 192, 203.3–203.7, D14/217, 224, 224.1, 229, 238, 238.1, D14/299, 447, 483, 451, 452; D13/103, D13/107, 108, 119; D3/201, 218, 226; D16/242, 245; D10/74; D8/382, 349, D8/355, 363, 373, 394; D6/567; D12/415, 420  
CPC .. H04M 1/026; H04M 1/0295; H04M 1/0279; H04M 1/0281; H04M 1/0283; H04B 1/3877; H04B 1/3883; H04B 1/3888; A45F 2200/0516; A45F 2200/0525; A45C 11/00; A45C 2011/002; A45C 13/1069; H05K 5/02; H05K 5/0204; H05K 5/0073; H05K 7/14; F16M 13/00; F16M 13/02; F16M 13/022; B60R 11/00; B60R 11/02; B60R 11/0241; B60R 11/0258  
See application file for complete search history.

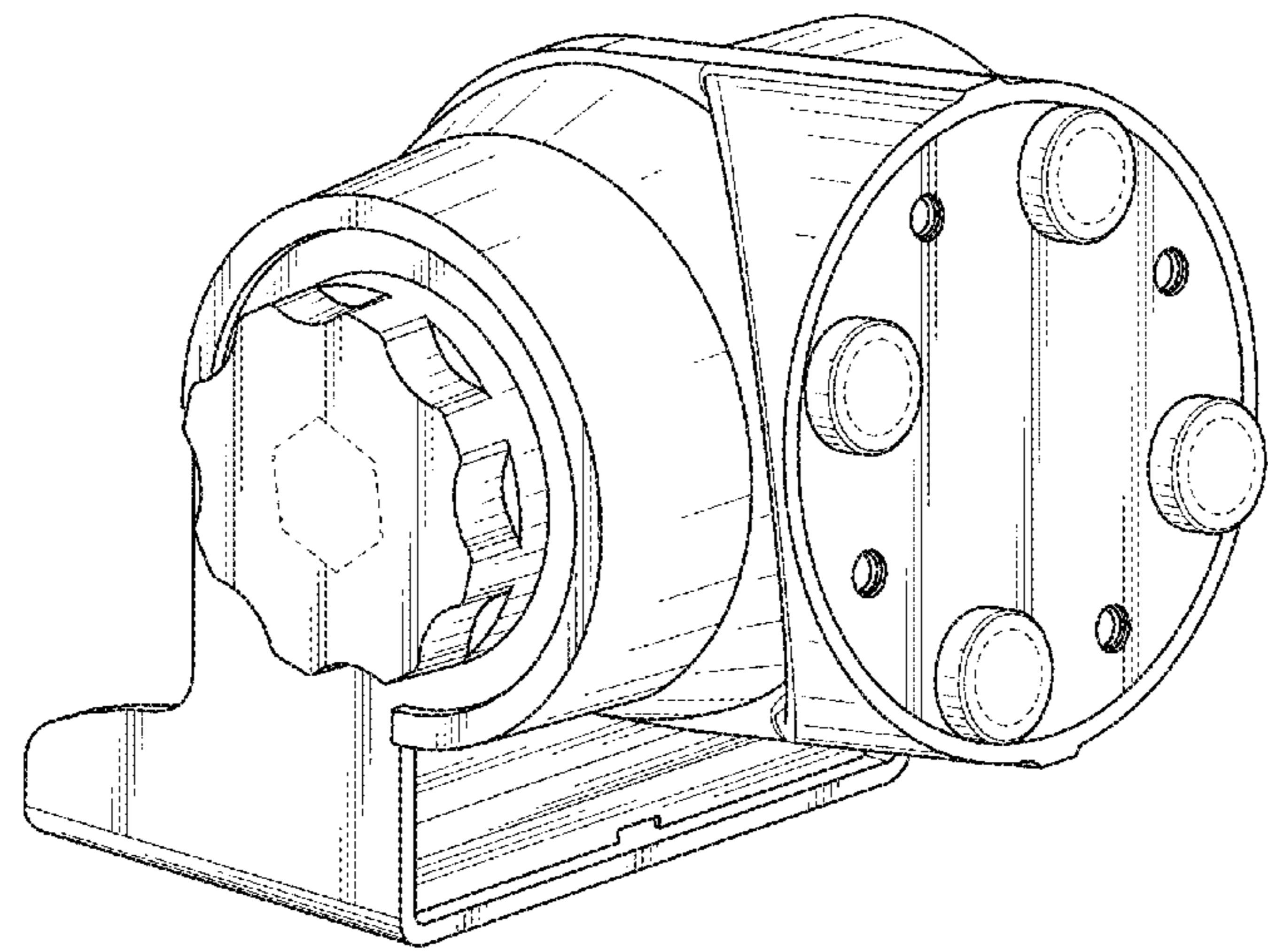
(56) **References Cited**  
U.S. PATENT DOCUMENTS  
D370,890 S \* 6/1996 Tiberio, Jr. .... D13/146  
6,505,431 B1 \* 1/2003 Christian ..... A01K 91/08  
43/19.2  
7,007,906 B2 \* 3/2006 Slatter ..... A01K 91/08  
114/255  
D530,333 S \* 10/2006 Richter ..... D14/447  
D552,454 S \* 10/2007 Fynn ..... D8/363  
D736,068 S \* 8/2015 Taylor ..... D8/355  
D744,321 S \* 12/2015 Boynton ..... D8/363  
9,407,048 B2 \* 8/2016 George ..... H01R 13/72  
D778,713 S \* 2/2017 McSweyn ..... D12/415  
D790,435 S \* 6/2017 Du ..... D12/415  
D824,378 S \* 7/2018 Sukphisit ..... D14/253  
10,100,971 B2 \* 10/2018 Yun ..... B60R 11/0241

\* cited by examiner  
*Primary Examiner* — Jeffrey D Asch  
*Assistant Examiner* — Rebekah A Caruso  
(74) *Attorney, Agent, or Firm* — Davis Wright Tremaine LLP; Heather M. Colburn

(57) **CLAIM**  
The ornamental design for a mount for a portable device, as shown and described.

**DESCRIPTION**  
FIG. 1 is a front perspective view of a mount for a portable device showing our new design;  
FIG. 2 is a rear perspective view thereof;  
FIG. 3 is a front view thereof;  
FIG. 4 is a rear view thereof;  
FIG. 5 is a right side view thereof;  
FIG. 6 is a left side view thereof;  
FIG. 7 is a top plan view thereof; and,  
FIG. 8 is a bottom plan view thereof.  
Features shown in broken lines in FIGS. 1-8 are for illustrative purposes only and do not form part of the claimed design.

**1 Claim, 8 Drawing Sheets**



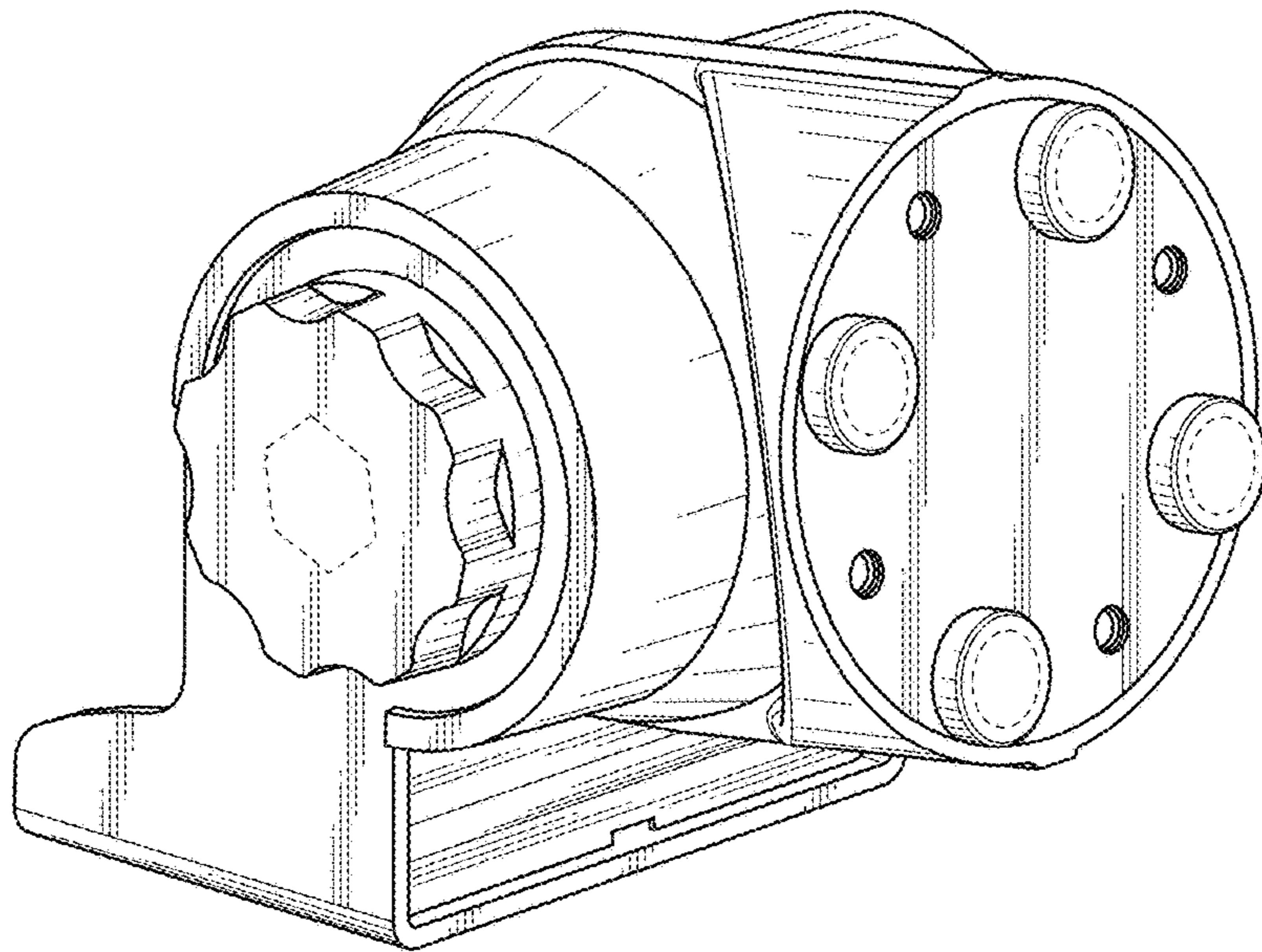


FIG. 1

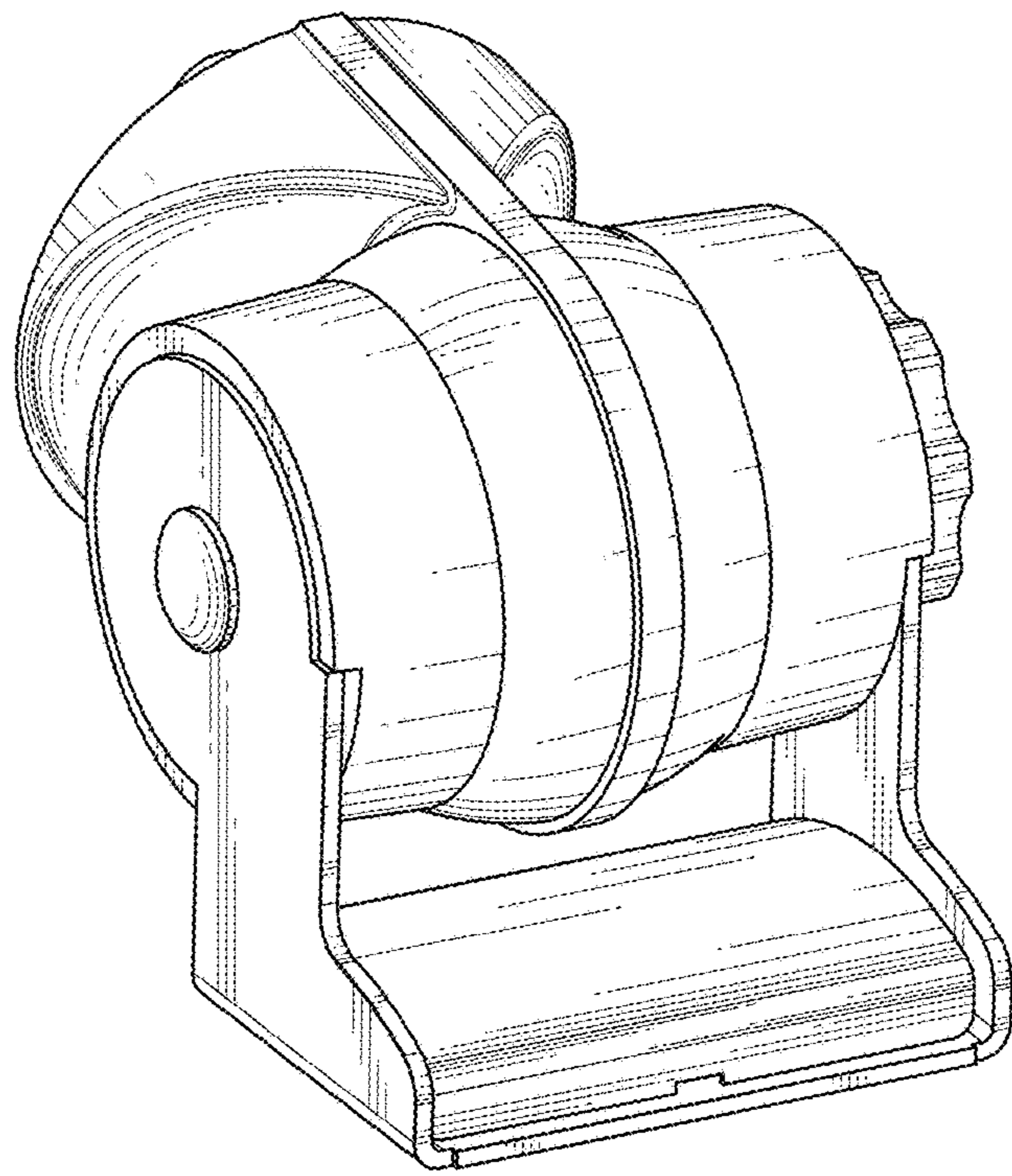


FIG. 2

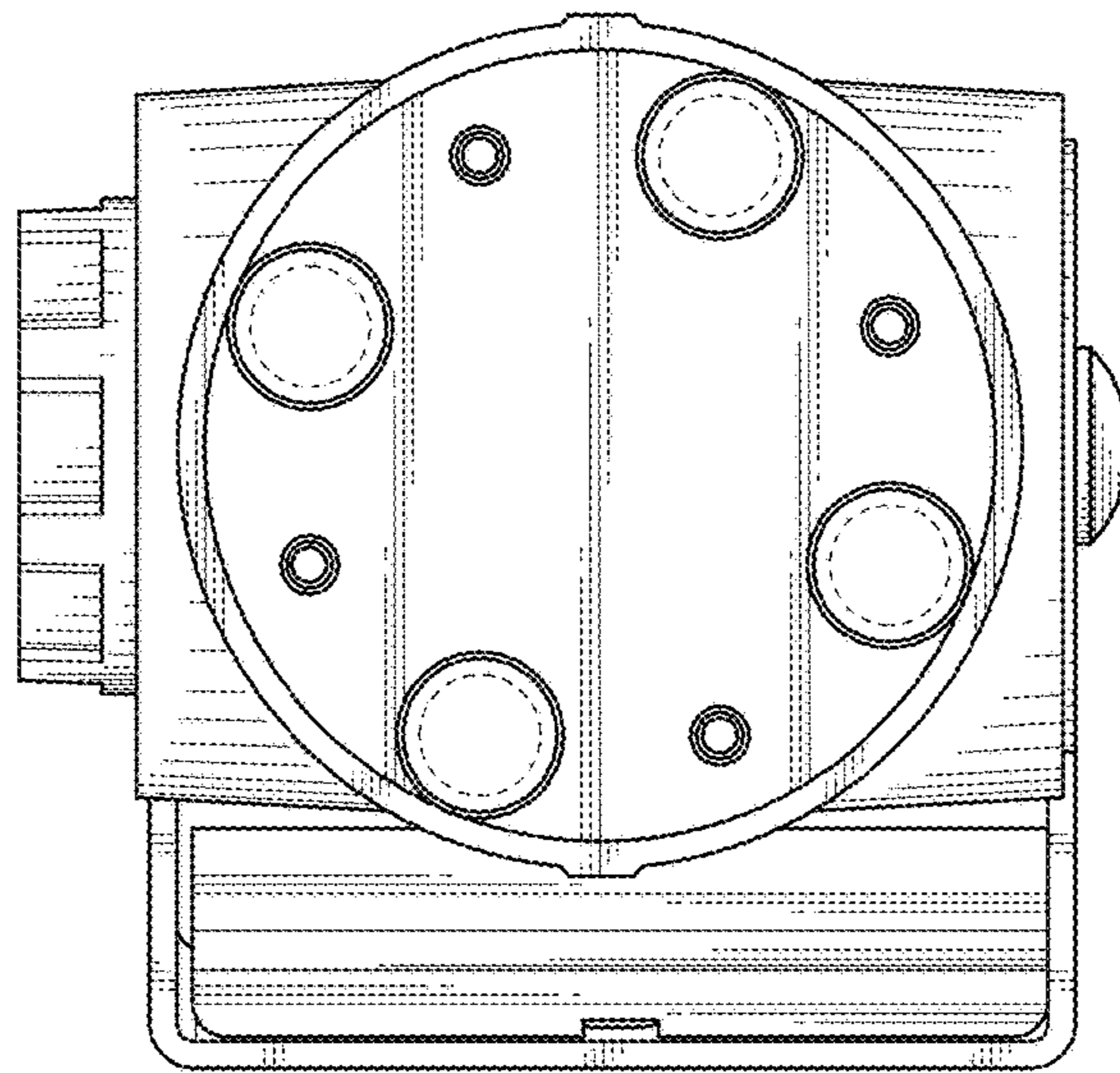


FIG. 3

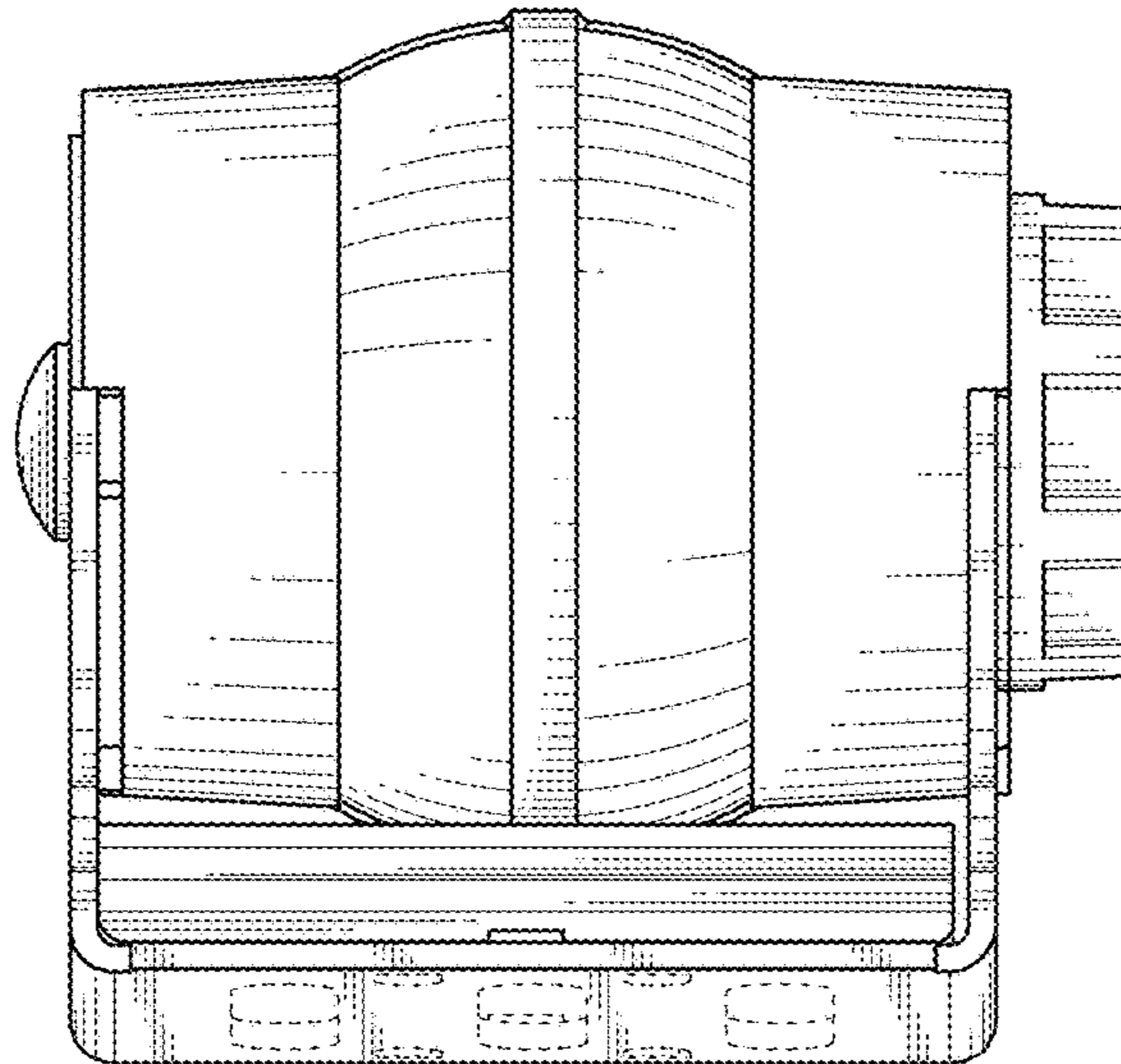


FIG. 4

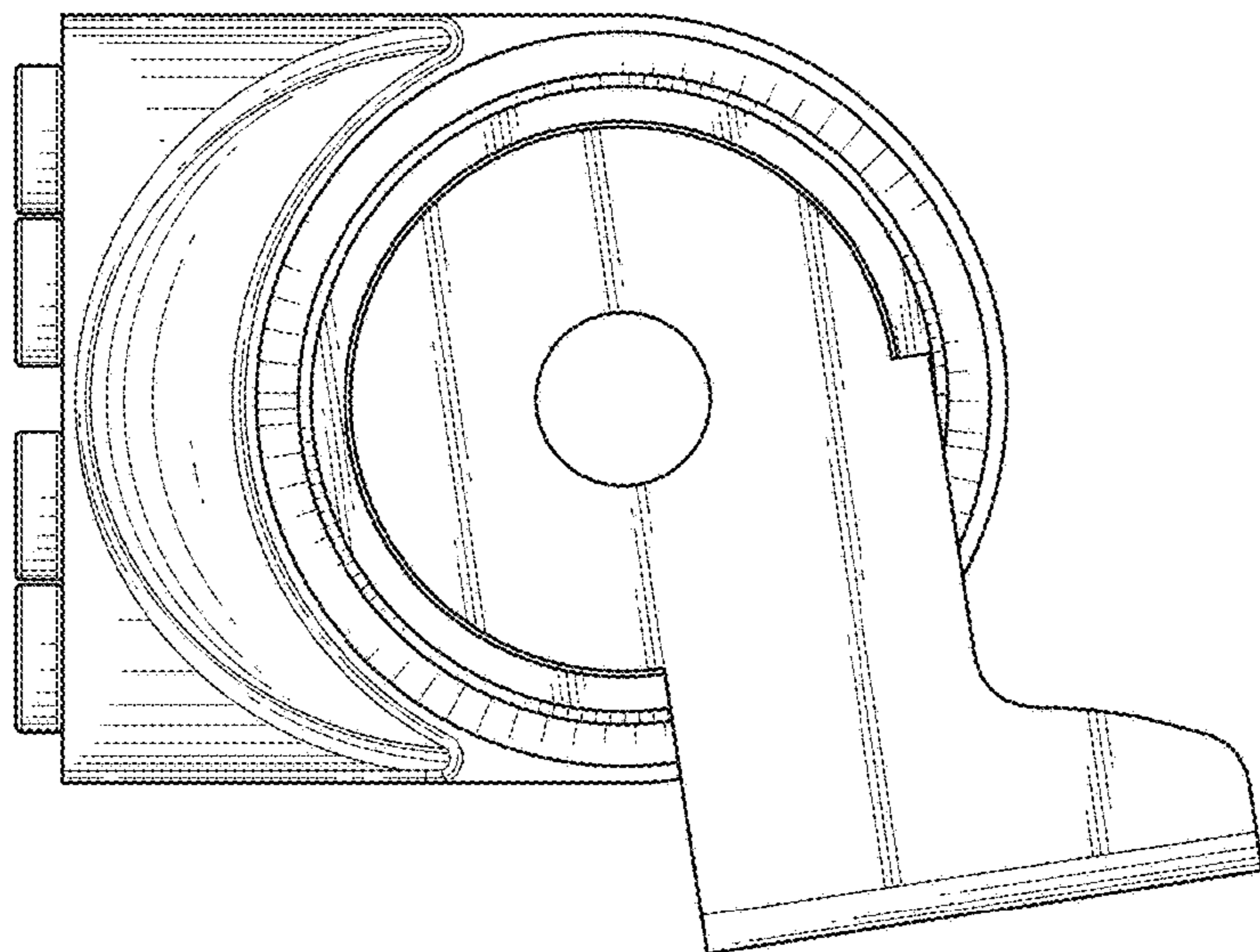


FIG. 5

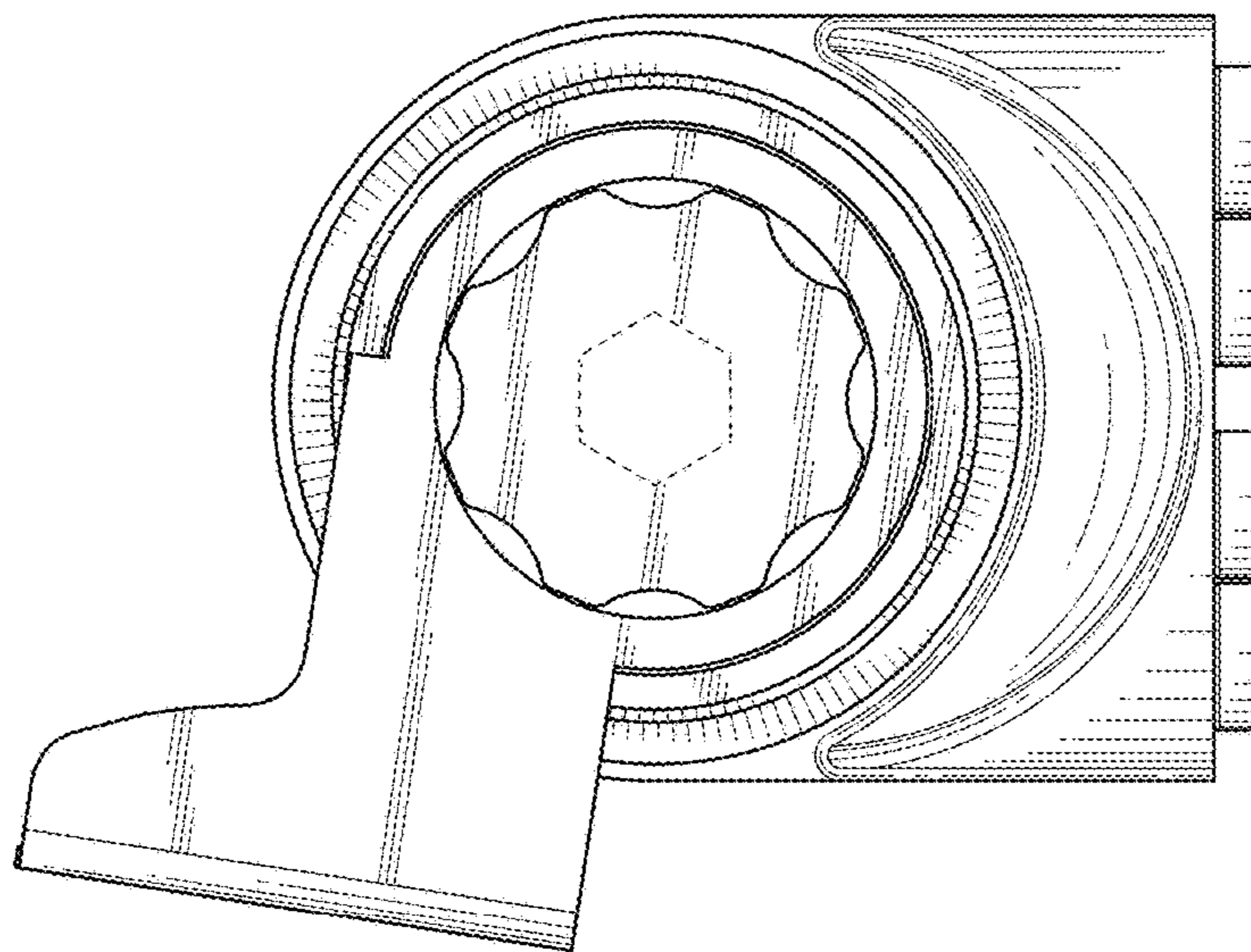


FIG. 6

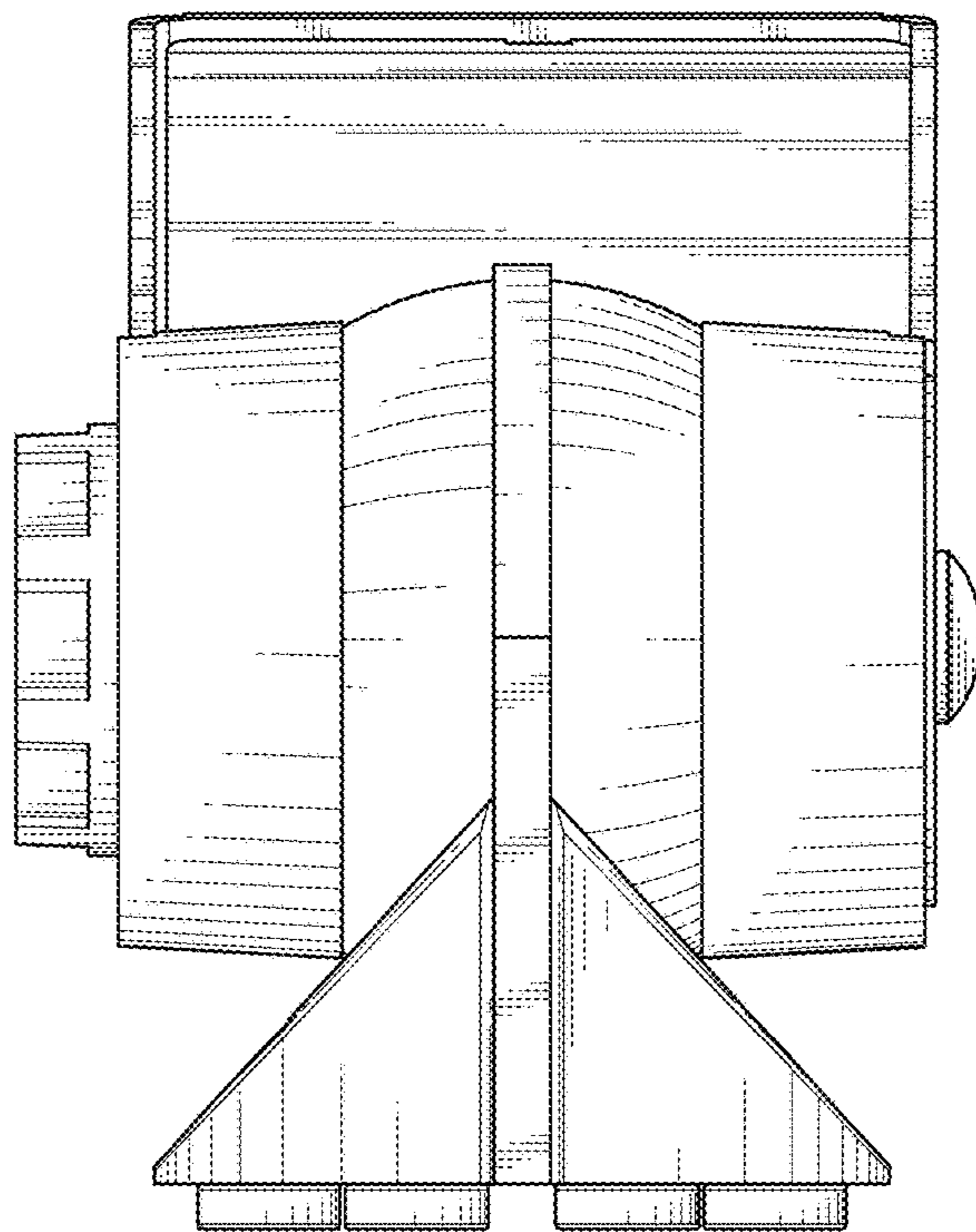


FIG. 7



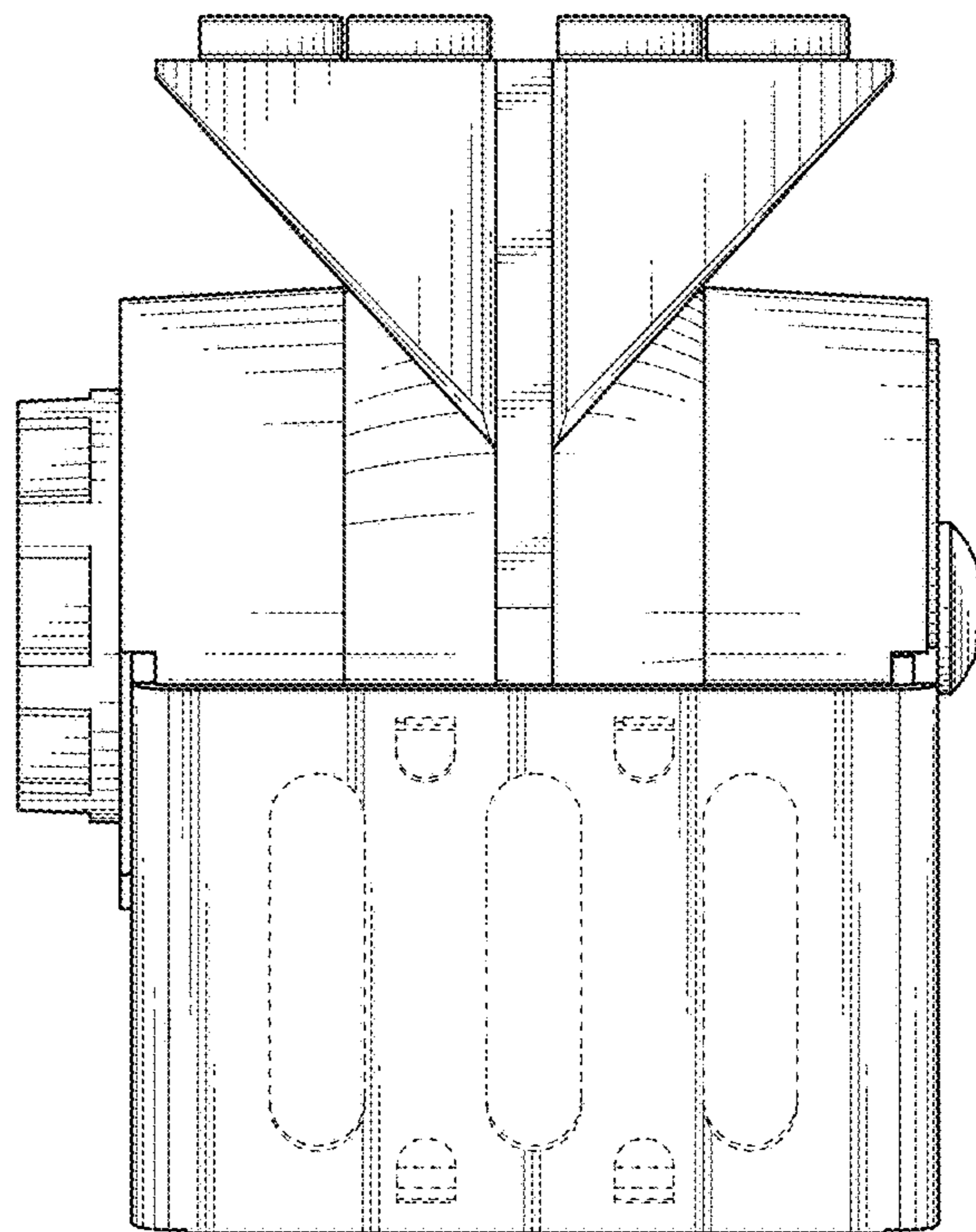


FIG. 8