



US00D855048S

(12) **United States Design Patent**  
**Kim**

(10) **Patent No.:** **US D855,048 S**  
(45) **Date of Patent:** **\*\* Jul. 30, 2019**

(54) **STAND FOR ELECTRONIC DEVICE**

(71) Applicant: **SPIGEN KOREA CO., LTD.**, Seoul (KR)

(72) Inventor: **Seung Joo Kim**, Seoul (KR)

(73) Assignee: **SPIGEN KOREA CO., LTD.**, Seoul (KR)

(\*\*) Term: **15 Years**

(21) Appl. No.: **29/604,114**

(22) Filed: **May 15, 2017**

(51) **LOC (11) Cl.** ..... **14-03**

(52) **U.S. Cl.**  
USPC ..... **D14/253**

(58) **Field of Classification Search**  
USPC ..... D14/144, 217, 224, 251–253, 434, 447,  
D14/451–452; D3/215, 218; D12/114,  
(Continued)

(56) **References Cited**

**U.S. PATENT DOCUMENTS**

2,481,387 A \* 9/1949 Bonecutter ..... H04M 1/05  
379/446  
D203,185 S \* 12/1965 Leopoldi ..... D14/251  
(Continued)

**FOREIGN PATENT DOCUMENTS**

KR 30-0657929 S 8/2012  
KR 30-0674054 S 12/2012  
(Continued)

**OTHER PUBLICATIONS**

Spigen Style Ring Pop Cell Phone Ring/Phone Grip/Stand/Holder for All Phones and Tablets Compatible with Magnetic Car Mount—Gun Metal, date first listed Jun. 26, 2018, site visited Oct. 6, 2018, Copyright © 2008-2018, available at [www.amazon.com](http://www.amazon.com).\*

(Continued)

*Primary Examiner* — Cathron C Brooks

*Assistant Examiner* — Sharon S Oum

(74) *Attorney, Agent, or Firm* — Heedong Chae; Lucem, PC

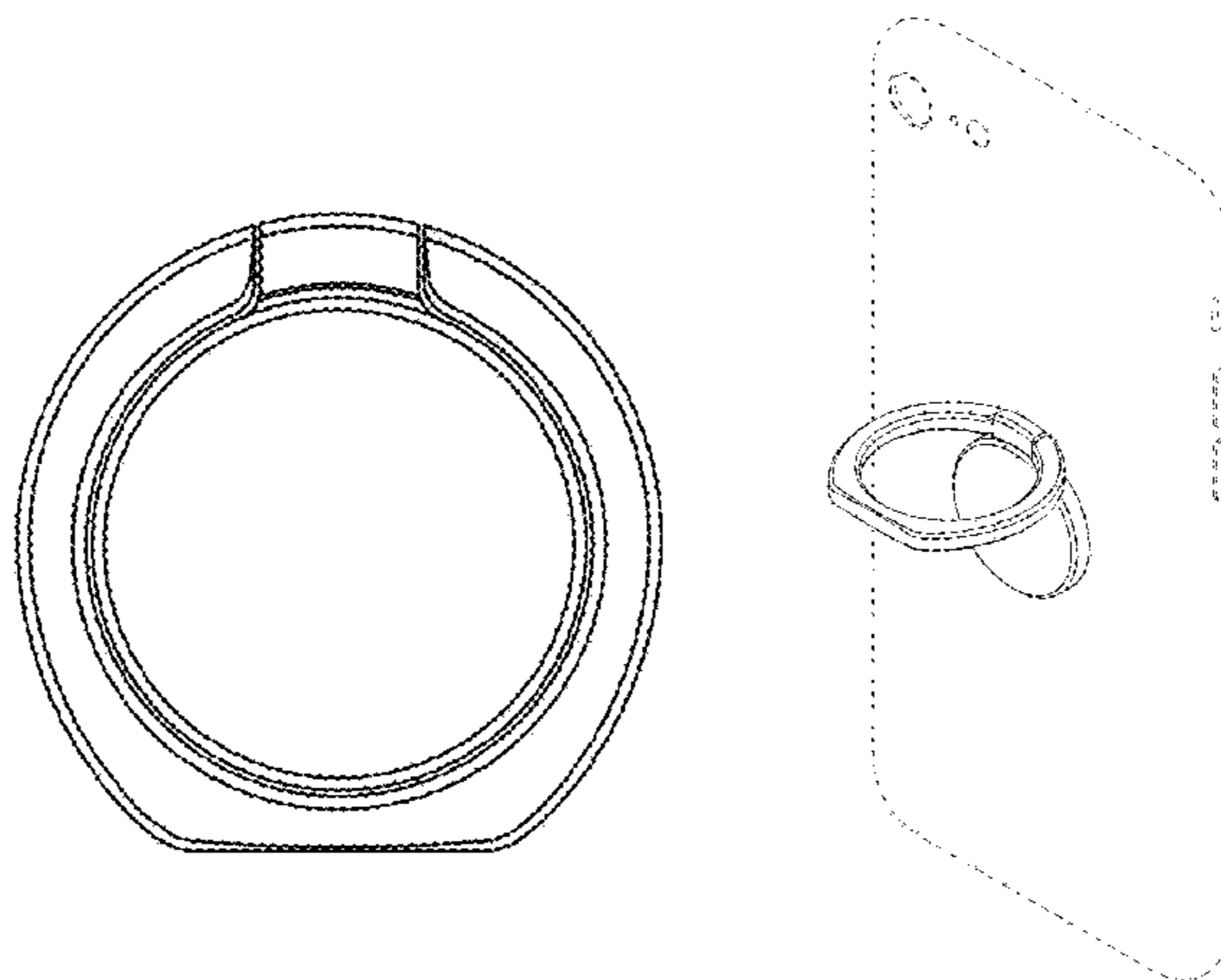
(57) **CLAIM**

The ornamental design for a stand for electronic device, as shown and described.

**DESCRIPTION**

FIG. 1 is a front perspective view of a stand for electronic device, showing my new design;  
FIG. 2 is a rear perspective view thereof;  
FIG. 3 is a front elevational view thereof;  
FIG. 4 is a rear elevational view thereof;  
FIG. 5 is a left side elevational view thereof;  
FIG. 6 is a right side elevational view thereof;  
FIG. 7 is a top plan view thereof;  
FIG. 8 is a bottom plan view thereof;  
FIG. 9 is a front perspective view thereof shown in a first position of use;  
FIG. 10 is a rear perspective view thereof;  
FIG. 11 is a front elevational view thereof;  
FIG. 12 is a rear elevational view thereof;  
FIG. 13 is a left side elevational view thereof;  
FIG. 14 is a right side elevational view thereof;  
FIG. 15 is a perspective view thereof shown in a second position of use;  
FIG. 16 is still another perspective view of FIG. 14;  
FIG. 17 is a view identical to FIG. 9, and shown in the environment of an electronic device; and,  
FIG. 18 is a view identical to FIG. 1, and shown in the environment of an electronic device.  
The broken lines in FIGS. 17 and 18 illustrate environment and portions of the stand for electronic device. The broken lines in the remaining views illustrate portions of the stand for electronic device. None of the broken lines form part of the claimed design.

**1 Claim, 18 Drawing Sheets**



- (58) **Field of Classification Search**  
 USPC ..... D12/177, 223, 400, 415, 417;  
                   D16/242–243; D9/435; D11/2, 79–80  
 CPC .... F16M 13/022; F16M 11/041; F16M 13/00;  
                   F16M 13/02; F16M 11/10; A44C 9/003;  
                   A44C 9/0061  
 See application file for complete search history.

(56) **References Cited**

U.S. PATENT DOCUMENTS

3,866,873 A \* 2/1975 Bohli ..... F16B 11/006  
                   102/406  
 4,150,446 A \* 4/1979 Crocker ..... A47K 13/10  
                   4/238  
 D494,167 S \* 8/2004 Hirakawa ..... D14/341  
 7,661,567 B2 \* 2/2010 Myers ..... A45C 13/20  
                   224/162  
 D612,352 S \* 3/2010 Zhou ..... D14/138 AB  
 D641,154 S \* 7/2011 Smith ..... D3/218  
 D660,305 S \* 5/2012 Ho ..... D14/447  
 D667,004 S \* 9/2012 Goodrich ..... D14/253  
 D670,704 S \* 11/2012 Barker ..... D14/447  
 D675,217 S \* 1/2013 Lee ..... D14/480.6  
 D692,010 S \* 10/2013 Vergheze ..... D14/447  
 D692,898 S \* 11/2013 Luijben ..... D14/447  
 D692,899 S \* 11/2013 Bremenkamp ..... D14/447  
 D701,857 S \* 4/2014 Ding ..... D14/253  
 D717,537 S \* 11/2014 Tsai ..... D3/215  
 D719,959 S \* 12/2014 Vogel ..... D14/447  
 D720,527 S \* 1/2015 Sircy ..... D3/215  
 D723,573 S 3/2015 Padro  
 D725,660 S 3/2015 Trotsky  
 D735,210 S 7/2015 Kim  
 D737,264 S \* 8/2015 Shamsadov ..... D14/251  
 D739,857 S 9/2015 Lay  
 9,179,565 B2 \* 11/2015 Cho ..... H05K 7/00  
 D748,639 S 2/2016 Khodapanah  
 D749,069 S \* 2/2016 Senoff ..... D14/251  
 D749,083 S \* 2/2016 Senoff ..... D14/451  
 D749,559 S \* 2/2016 Senoff ..... D14/251  
 D752,054 S \* 3/2016 Baumann ..... D14/447  
 D756,366 S \* 5/2016 Floersch ..... D14/447  
 9,397,717 B2 \* 7/2016 Curran ..... H04B 1/385  
 D765,549 S 9/2016 Khodapanah  
 D765,662 S \* 9/2016 Kang ..... D14/251  
 D768,635 S 10/2016 Due  
 D773,325 S 12/2016 Browning  
 D775,619 S \* 1/2017 Tien ..... D14/250  
 D782,488 S \* 3/2017 Kim ..... D14/447  
 D782,489 S \* 3/2017 Kim ..... D14/447  
 D794,456 S \* 8/2017 Rockwell ..... D9/434  
 D797,668 S \* 9/2017 Park ..... D13/108  
 D809,449 S \* 2/2018 Zhang ..... D12/415  
 D811,412 S 2/2018 McCurdy  
 9,891,504 B2 \* 2/2018 Fromm ..... F16M 11/041  
 D812,563 S \* 3/2018 Akana ..... D13/108  
 D815,086 S \* 4/2018 Jeon ..... D14/251  
 D825,572 S \* 8/2018 Kim ..... D14/447  
 D829,722 S \* 10/2018 Kim ..... D14/447  
 2001/0040202 A1 11/2001 Adams  
 2004/0177647 A1 \* 9/2004 Dennis ..... A44C 9/003  
                   63/29.1  
 2010/0320341 A1 \* 12/2010 Baumann ..... B60R 11/0241  
                   248/206.2  
 2011/0284599 A1 \* 11/2011 Sternick ..... A45F 5/00  
                   224/191  
 2012/0048873 A1 3/2012 Hyseni  
 2012/0075799 A1 \* 3/2012 Pollex ..... F16M 11/041  
                   361/679.56  
 2013/0146625 A1 \* 6/2013 Karle ..... A45F 5/00  
                   224/217  
 2013/0170110 A1 \* 7/2013 Lee ..... F16M 11/041  
                   361/679.01  
 2013/0279098 A1 \* 10/2013 Cho ..... H05K 7/00  
                   361/679.01

2014/0166707 A1 6/2014 Leisey-Bartsch  
 2015/0009610 A1 \* 1/2015 London ..... G06F 1/163  
                   361/679.03  
 2015/0257288 A1 \* 9/2015 Livernois ..... F16M 11/38  
                   248/346.06  
 2016/0076692 A1 \* 3/2016 Sun ..... A47B 23/044  
                   248/461  
 2016/0134733 A1 5/2016 Murphy  
 2017/0055660 A1 3/2017 Tien  
 2017/0135234 A1 \* 5/2017 Kim ..... E05D 3/022  
 2017/0318958 A1 \* 11/2017 Asante ..... A47B 19/06  
 2018/0220782 A1 \* 8/2018 Mody ..... A45F 5/00

FOREIGN PATENT DOCUMENTS

KR 10-1316363 S 10/2013  
 KR 30-0718509 S 12/2013  
 KR 30-07185090001 S 3/2014  
 KR 10-2014-0123649 A 10/2014  
 KR 30-0775347 S 12/2014  
 KR 20-0476134 Y1 2/2015

OTHER PUBLICATIONS

“iRing Universal Masstige Ring Grip/Stand Holder for any Smart Device—Black”, [http://www.amazon.com/iRing-Universal-Masstige-Holder-Device/dp/B00DUN9B9U/ref=cm\\_cr\\_arp\\_d\\_product\\_top?ie=UTF8](http://www.amazon.com/iRing-Universal-Masstige-Holder-Device/dp/B00DUN9B9U/ref=cm_cr_arp_d_product_top?ie=UTF8), Earliest review date of Oct. 10, 2013.  
 “Spigen Style Ring Phone Grip Car Mount/Stand/Holder/Kickstand for iPhone 7/7 Plus/SE/6S/6/6S Plus/6 Plus/Google Pixel XL/Galaxy S8 / S8 plus / S7 / S7 edge and Almost All Cases/Phones—Black”, [https://www.amazon.com/Spigen-Holder-Kickstand-iPhone-Google/dp/B0193VF09W/ref=cm\\_cr\\_arp\\_d\\_product\\_top?ie=UTF8](https://www.amazon.com/Spigen-Holder-Kickstand-iPhone-Google/dp/B0193VF09W/ref=cm_cr_arp_d_product_top?ie=UTF8), Earliest review date of Oct. 23, 2015.  
 “Finger Ring Stand, KuGi 360 Degree Rotation Zinc Alloy cell phone stand holder Car Mount Phone Ring Grip for Phone 7 7s 6s Plus 5s Galaxy S8 S8 Plus ipad etc. smartphones and Tablets. (Black)”, <https://www.amazon.com/dp/B06XZ2QWMG>, Earliest review date of Apr. 28, 2017.  
 “Phone Ring Holder Attachable to Magnet, SINJIMORU Phone Grip Holder, kickstand Attachable to Ringo’s Belly Sutton, Magnetic Car Mount or Phone Mount for iPhone and Android Smartphones. Ringo, Black”, <https://www.amazon.com/dp/B01LYS205E>, Earliest review date of Nov. 20, 2016.  
 “Benks Magnetic Car Cell Phone Ring/Grip/Stand Phone Holder for iPhone 7/7 Plus/SE/6S/6/6S Plus/6 Plus/Google Pixel/Google Pixel XL/Galaxy S7 and Almost All Cases/Phones (Black)”, <https://www.amazon.com/dp/B01NA8UMNH>, Earliest review date of Dec. 19, 2017.  
 “Cell Phone Ring Holder, Tronfy Universal Stylish 360° Adjustable Finger Ring Stand Grip Kickstand Car Mount for Phone iPad Samsung Galaxy Note HTC LG Mi—Alarm Clock Silver”, <https://www.amazon.com/dp/B072FRLV62>, Earliest review date of Jun. 5, 2017.  
 “Elago Ring Holder Stand [Dark Grey]—[360°Rotation][Kickstand] [Aluminum body][Extra stickers included]—for All Smart Phones”, <https://www.amazon.com/dp/B06XK8QCZ5>, Earliest review date of Apr. 18, 2017.  
 “Finger Ring Stand, mobile cell phone stand holder Car Mount Phone Ring Grip 360°Universal Grip Finger Ring Holder Zinc Alloy (Rose Gold)”, <https://www.amazon.com/dp/B06XBTXFTY>, Earliest review date of Nov. 14, 2017.  
 “Icheckey Smart Phone Ring Holder Mirror Series Stylish 360° Adjustable Ring Stand Grip Mount Kickstand for Phone 7/7 Plus, Galaxy S8/S8 Plus and Almost All Cases/Phones—Bowknot Rose Gold”, <https://www.amazon.com/dp/B06XW7YD4H>, Earliest review date of May 20, 2017.  
 “iQbe Smart Phone Ring Holder Mirror Series Stylish 360° Adjustable Ring Stand Grip Mount Kickstand for Phone 7/7 Plus, Galaxy S8/S8 Plus and Almost All Cases/Phones—Demon Black”, <https://www.amazon.com/dp/B071WF6F2T>, Earliest review date of Jul. 26, 2017.

(56)

**References Cited**

OTHER PUBLICATIONS

“Mobile Phone Magnetic Holder, 2 in 1, Finger Ring Grip, Magnet Car Dash Mount Stand for Iphone 5 6 7 Plus, Samsung Galaxy S5 S6 S7 S8 Edge Note Nexus HTC Nokia LG Lenovo and All Cell Phones (Silver)”, <https://www.amazon.com/dp/B01N6PVL3B>, Earliest review date of Dec. 17, 2016.

Spigen, “Spigen Style Ring for Mobile Devices”, <https://www.youtube.com/watch?v=6QVgY2d4X4k>, Published on Oct. 20, 2015.

\* cited by examiner

FIG. 1

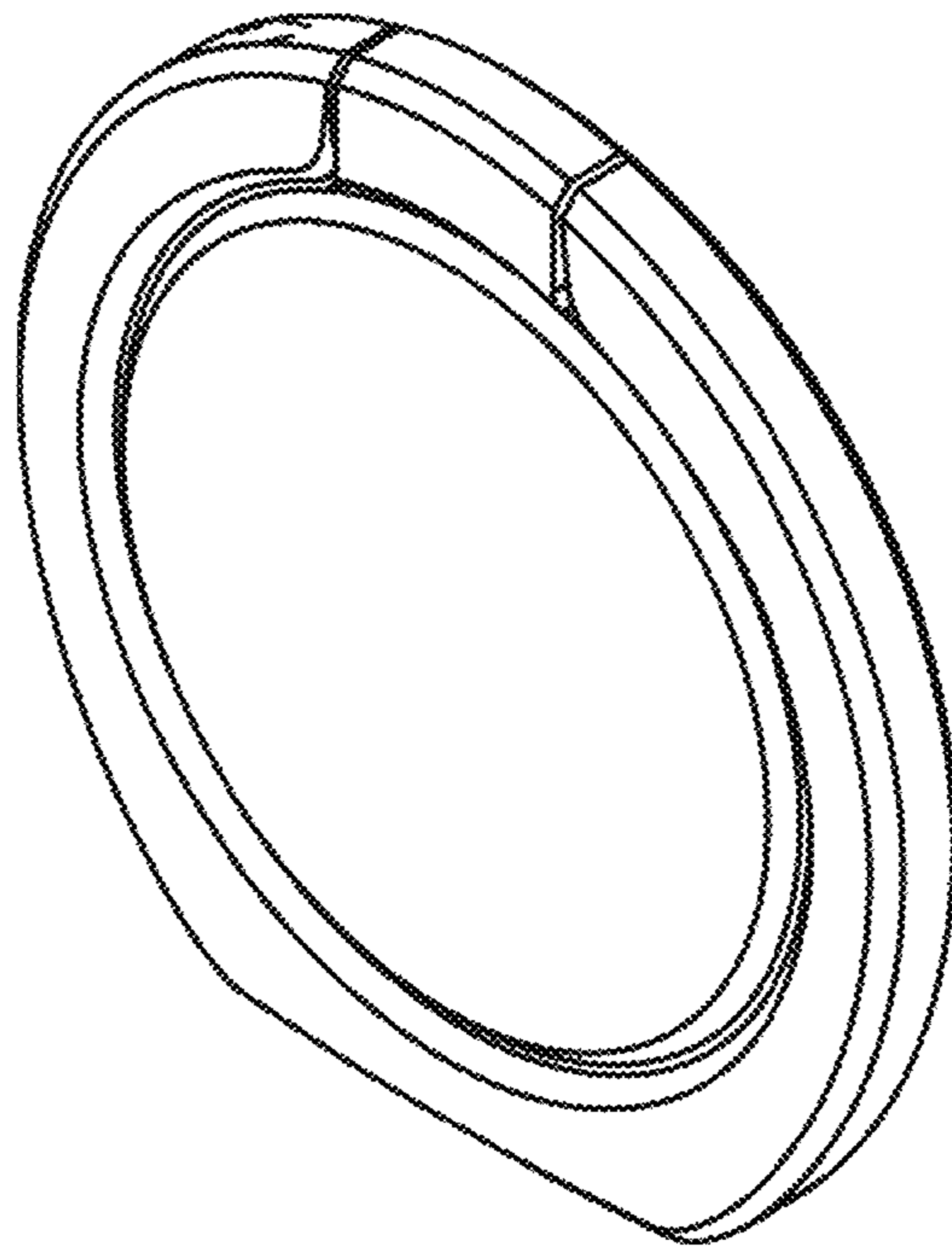


FIG. 2

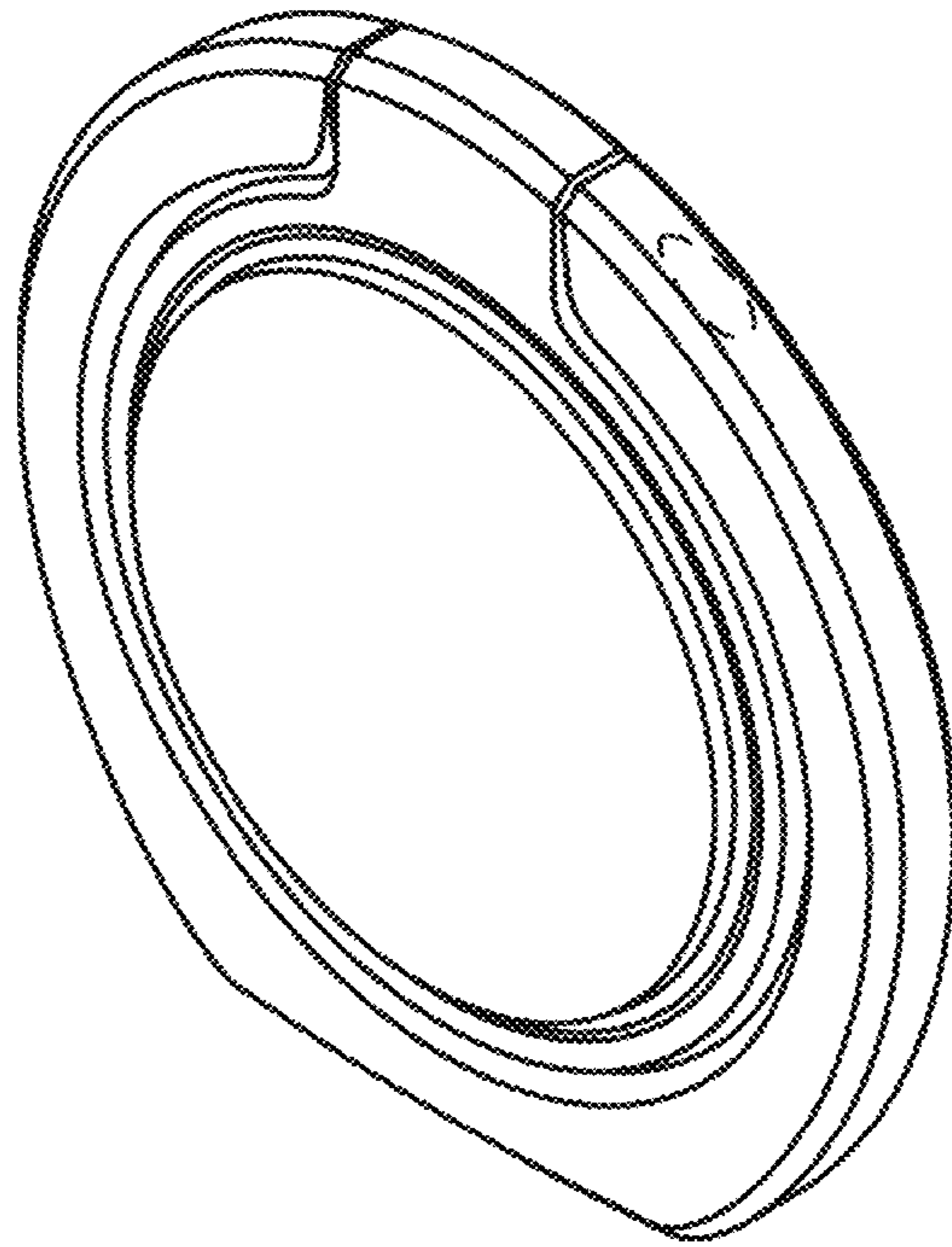


FIG. 3

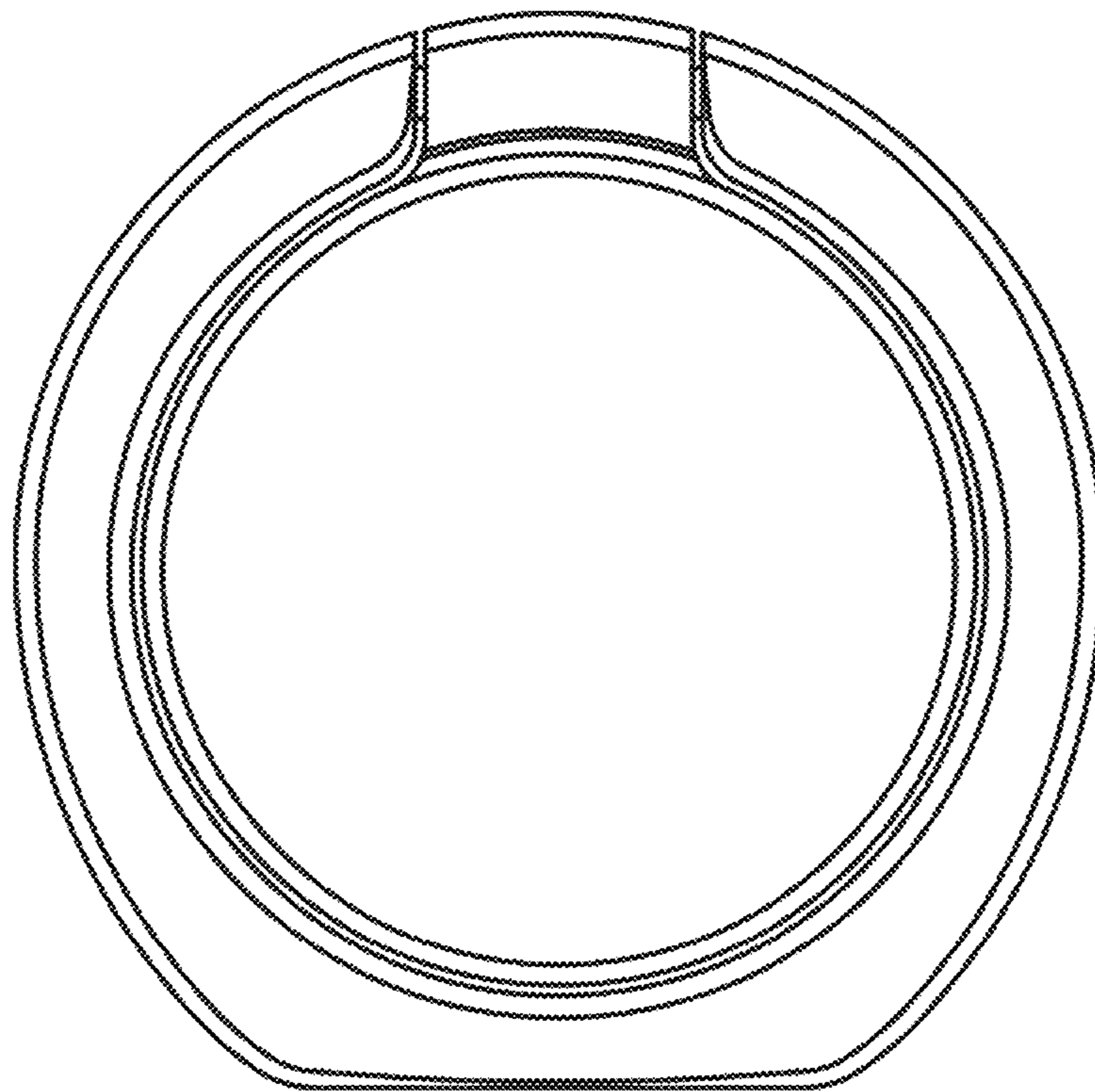


FIG. 4

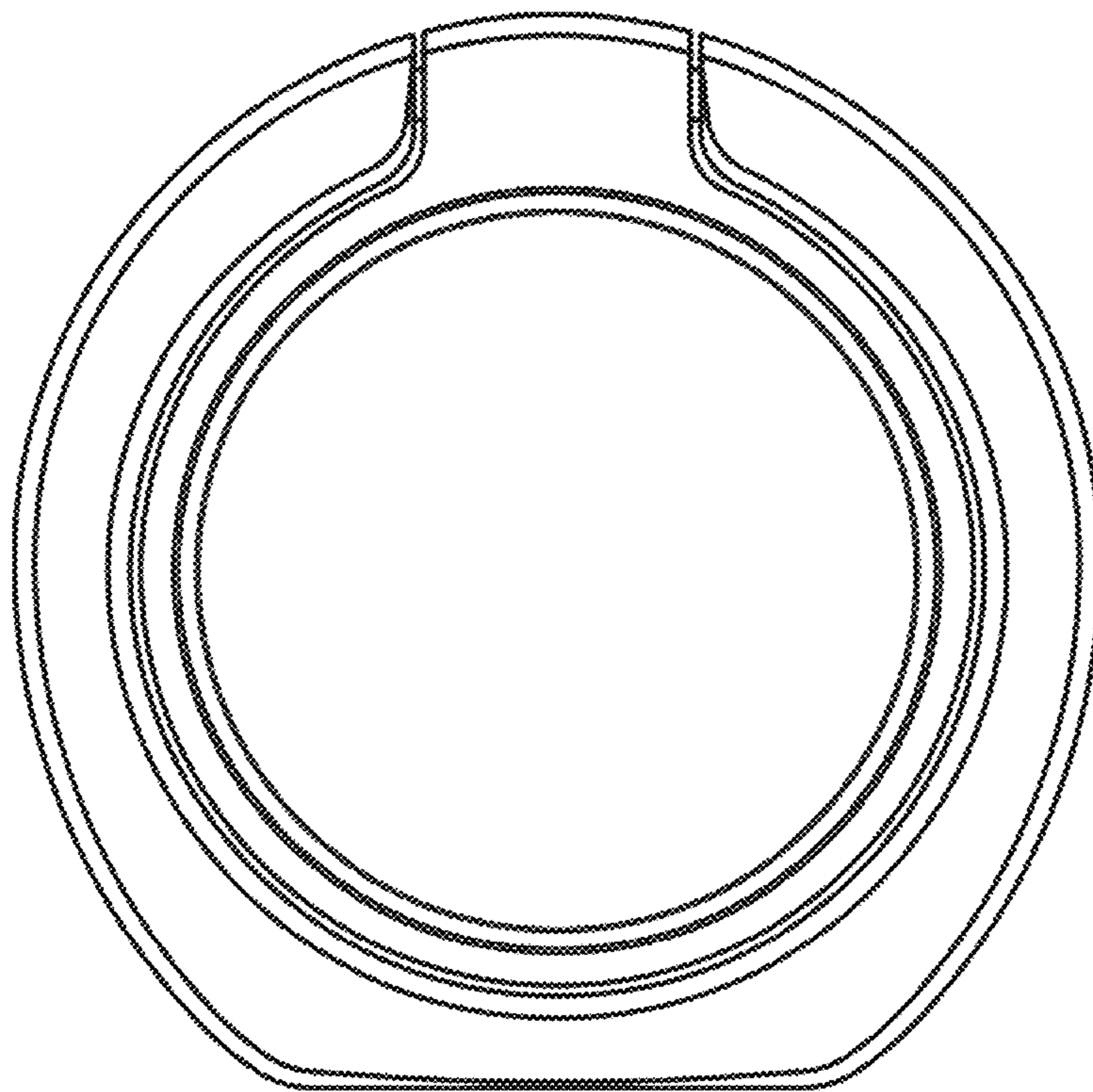


FIG. 5

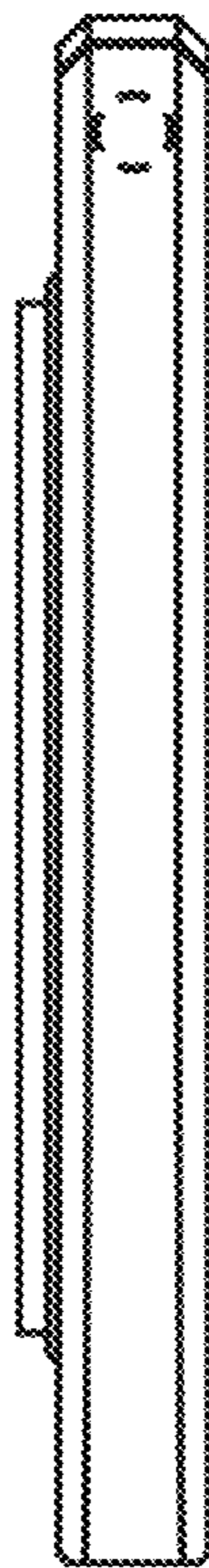




FIG. 6

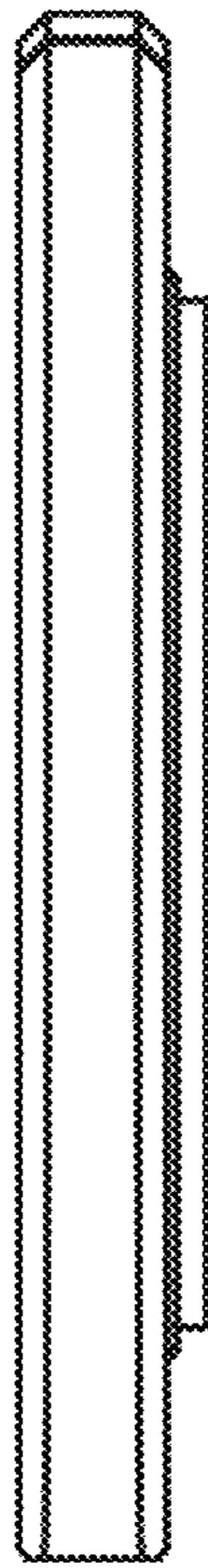


FIG. 7



FIG. 8



FIG. 9

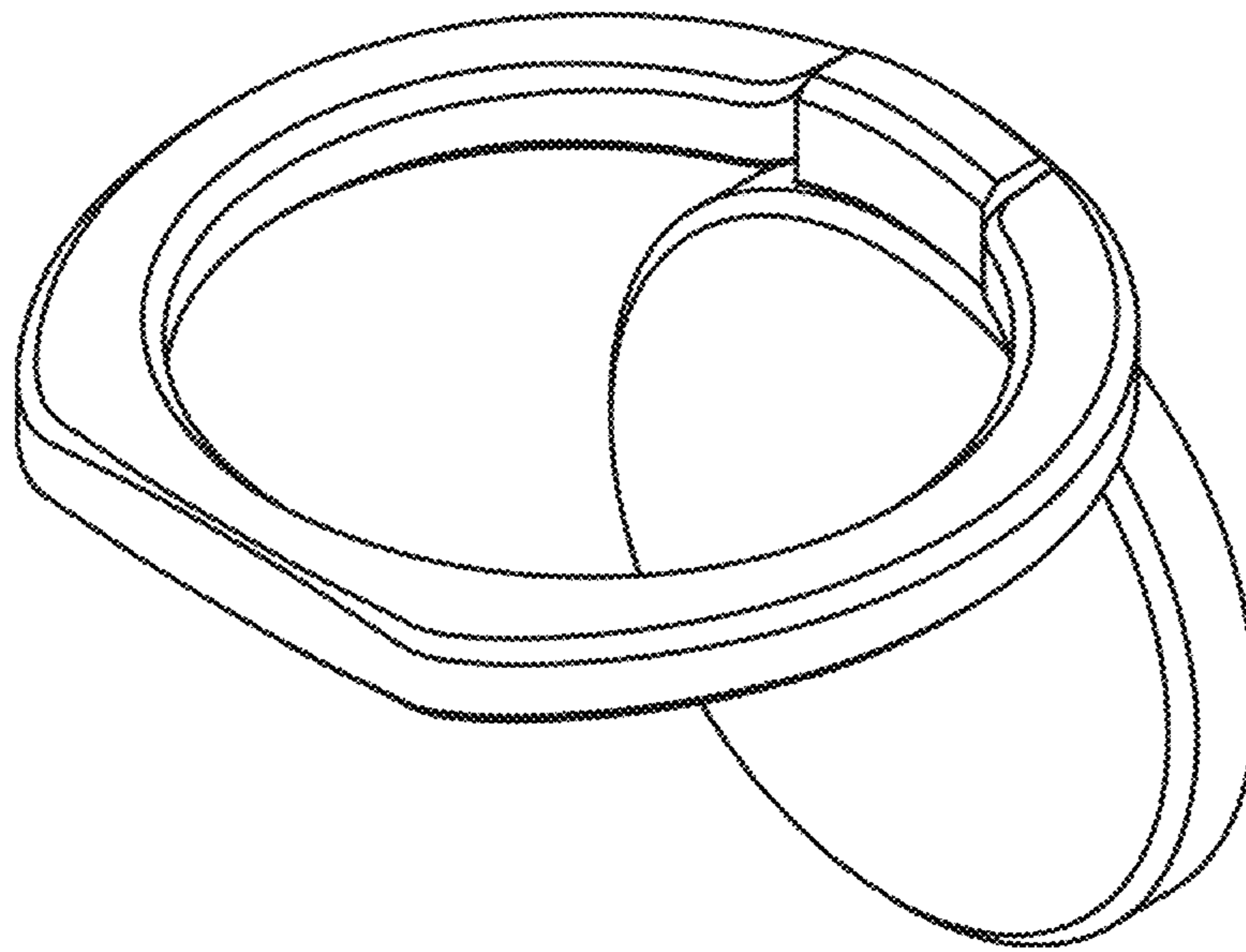


FIG. 10

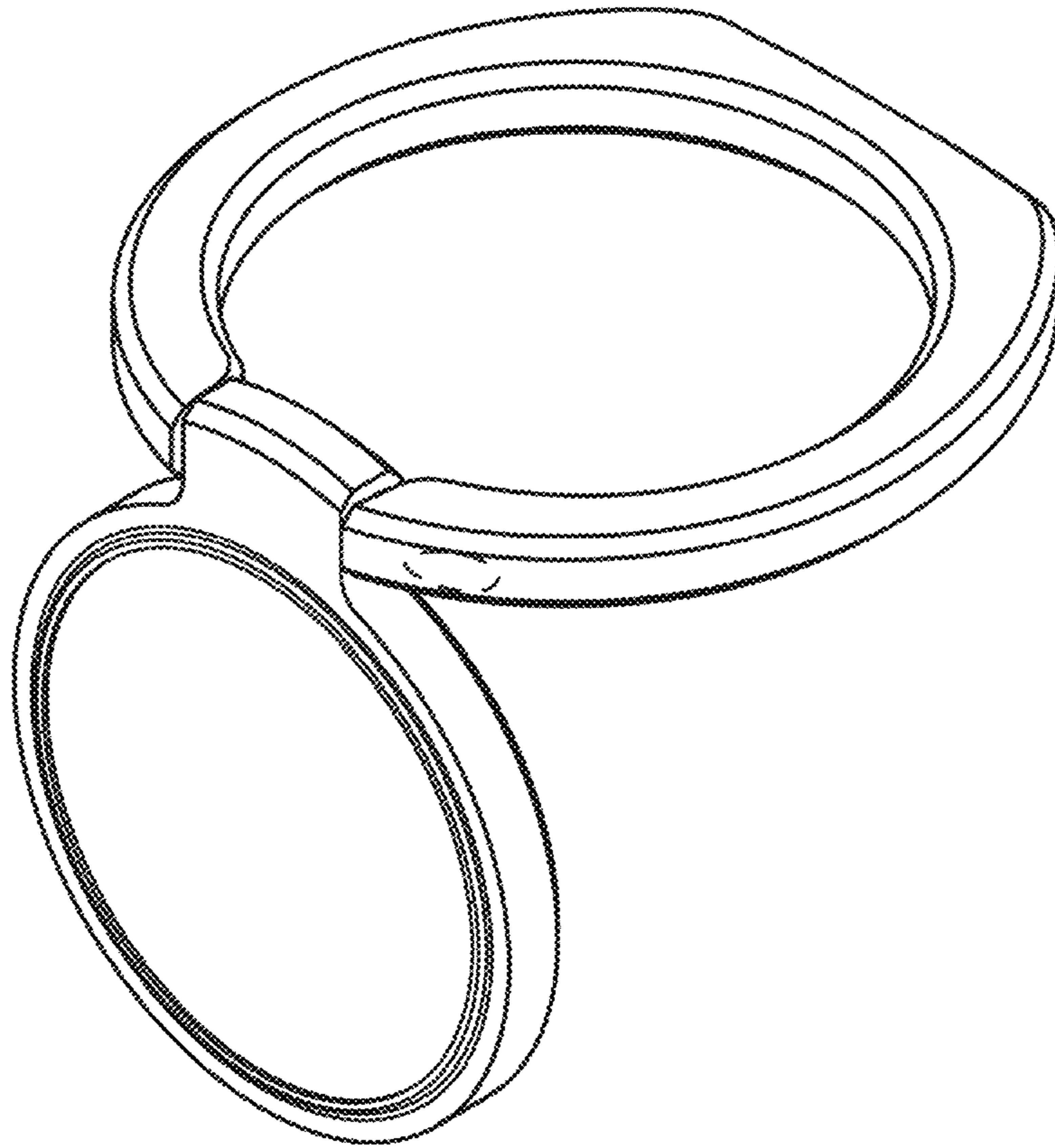


FIG. 11

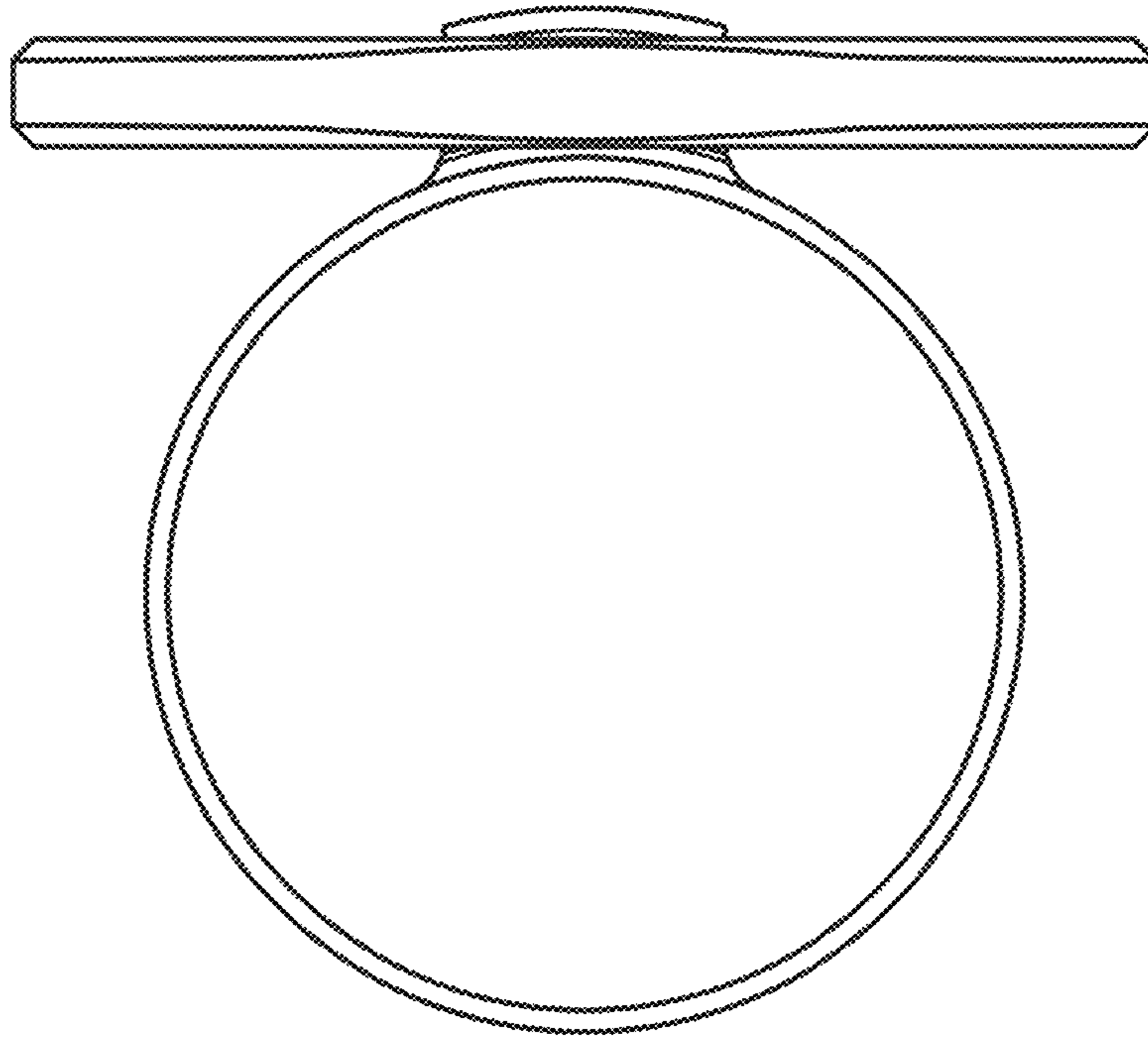


FIG. 12

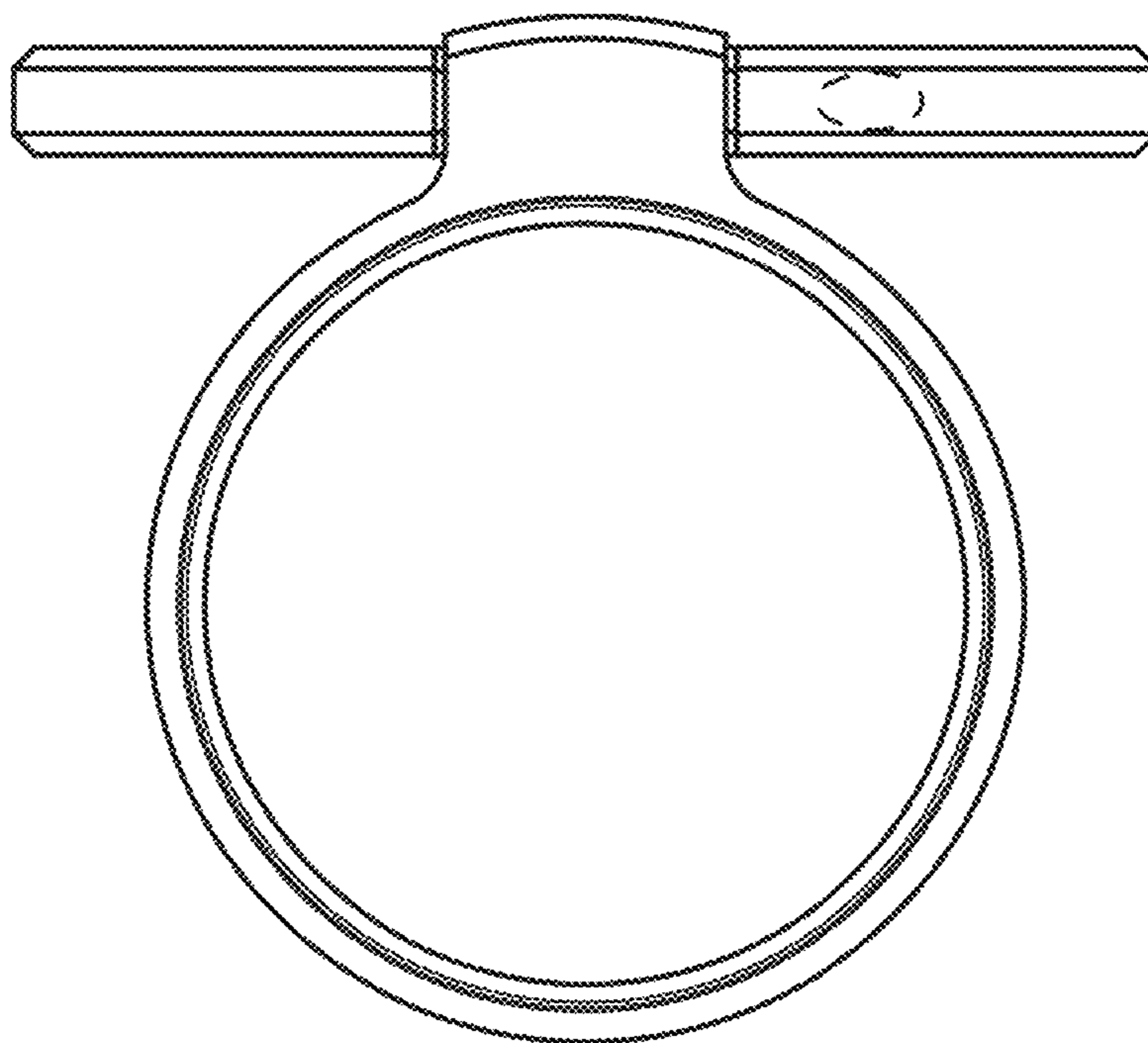


FIG. 13

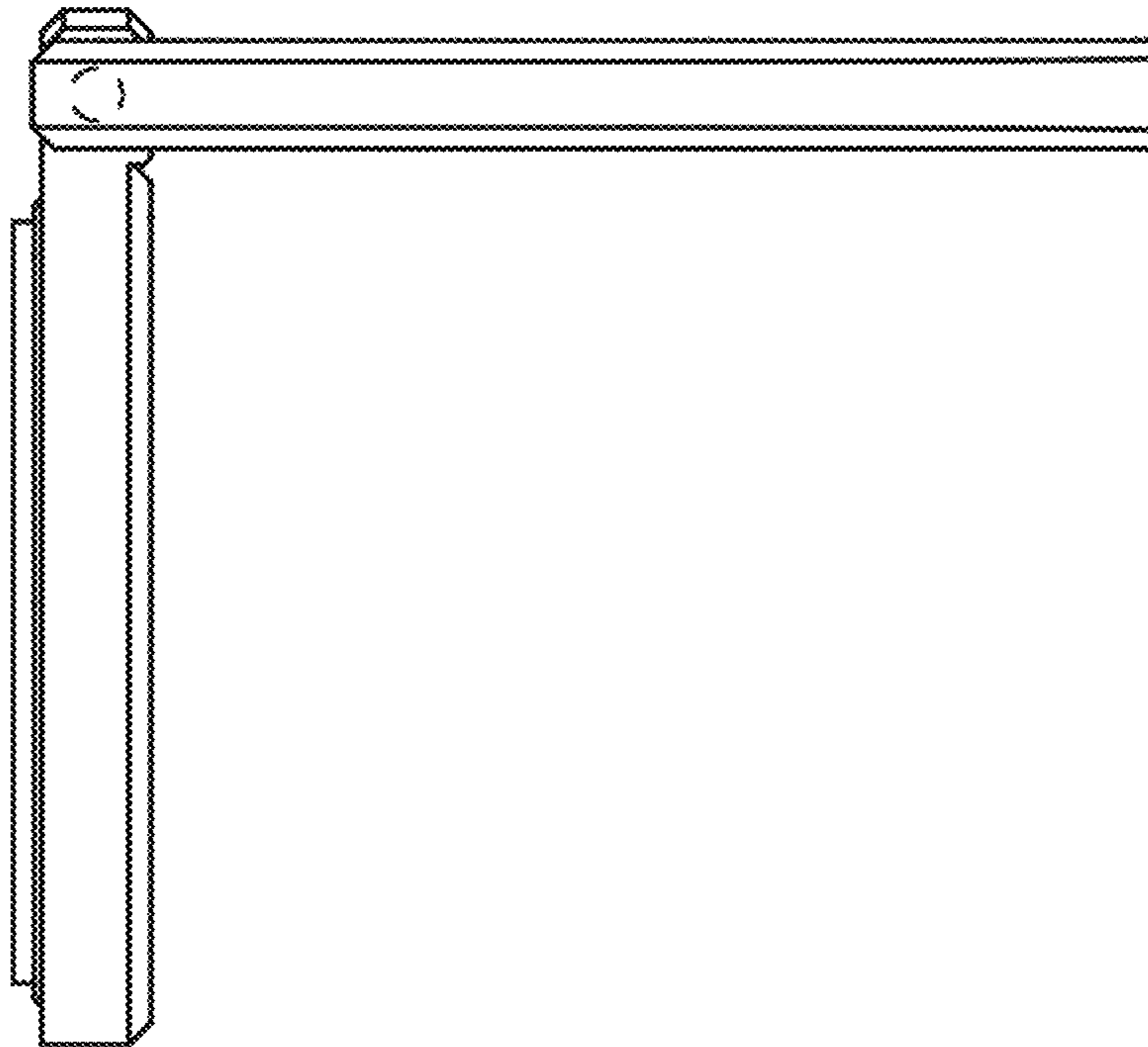




FIG. 14

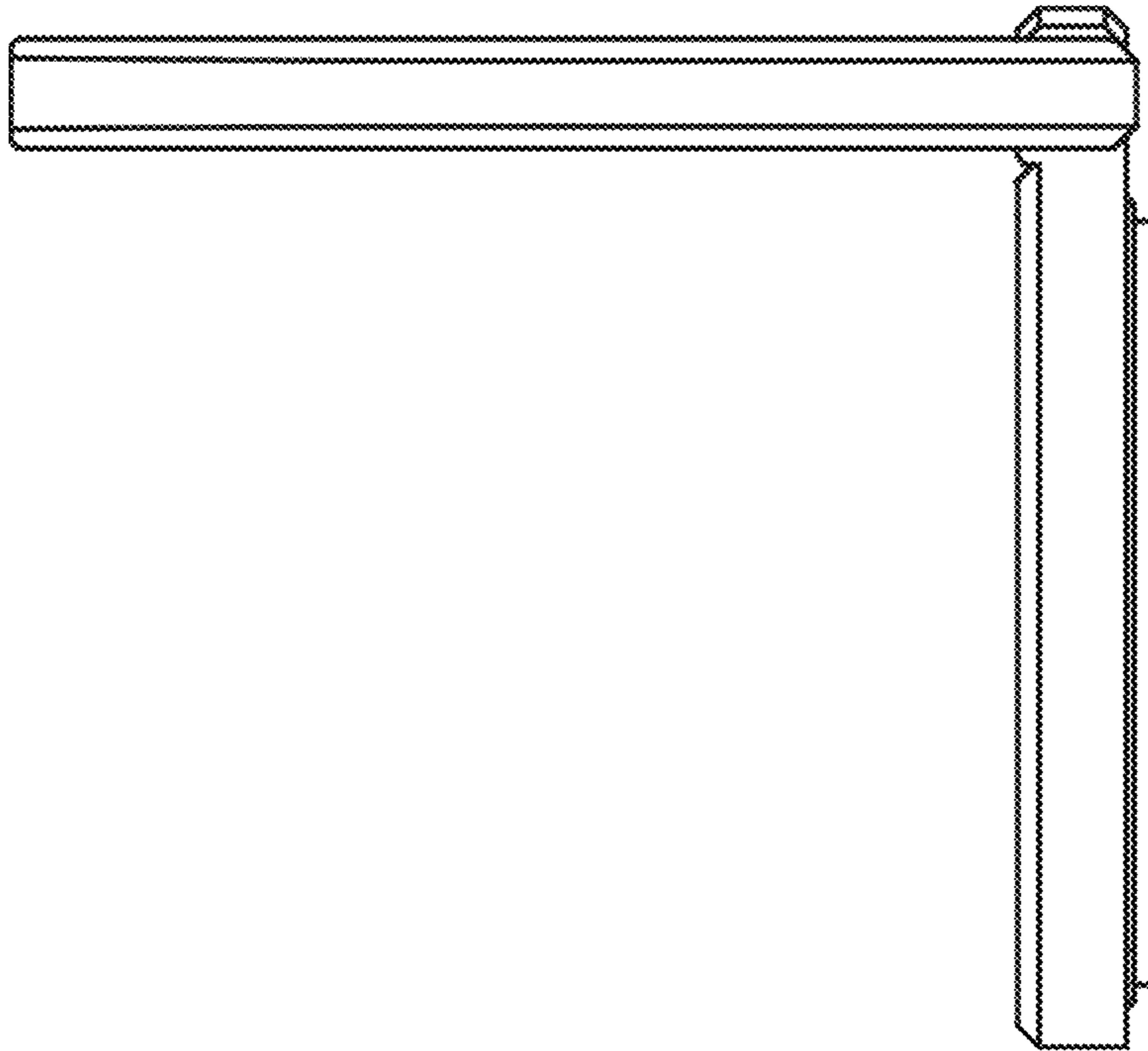


FIG. 15

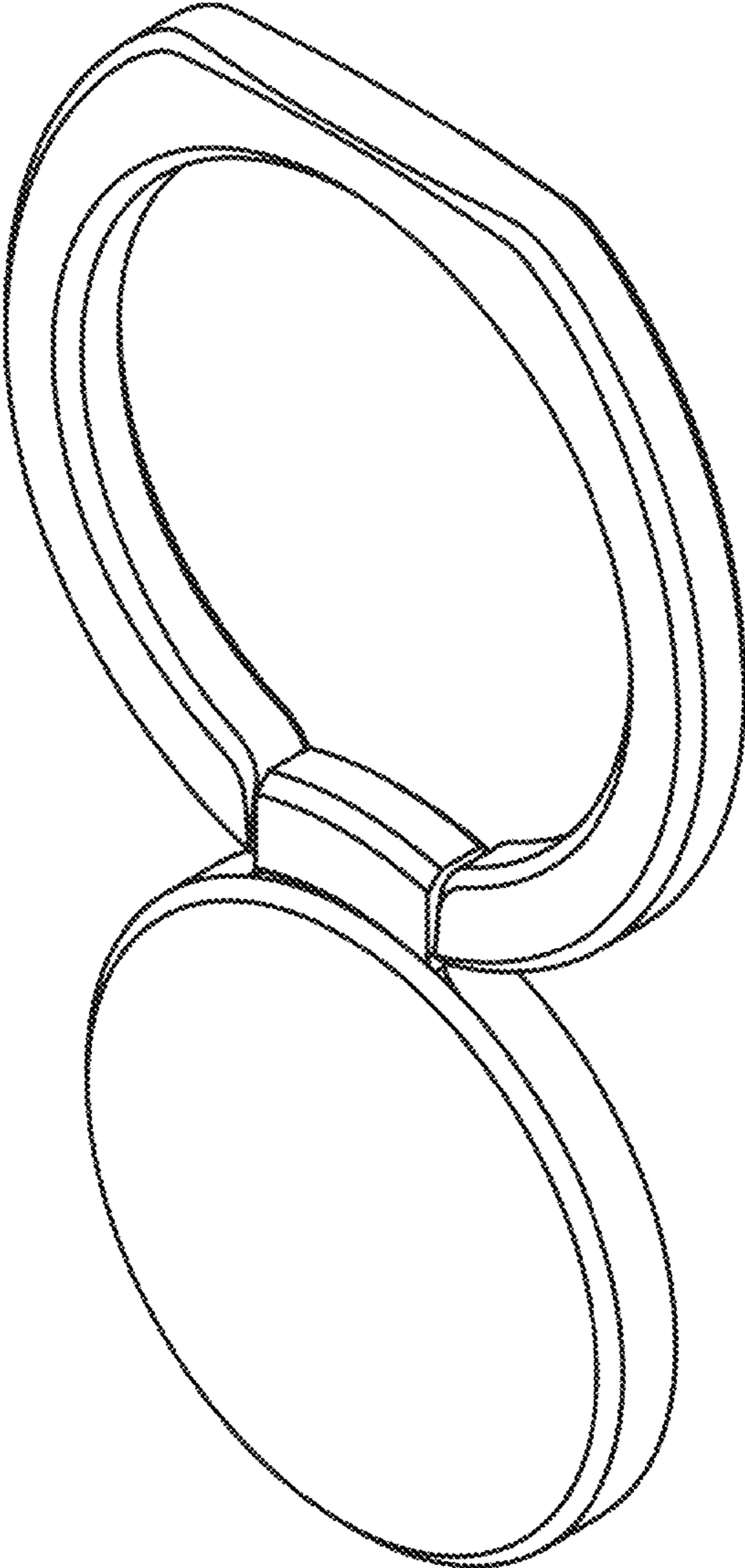


FIG. 16

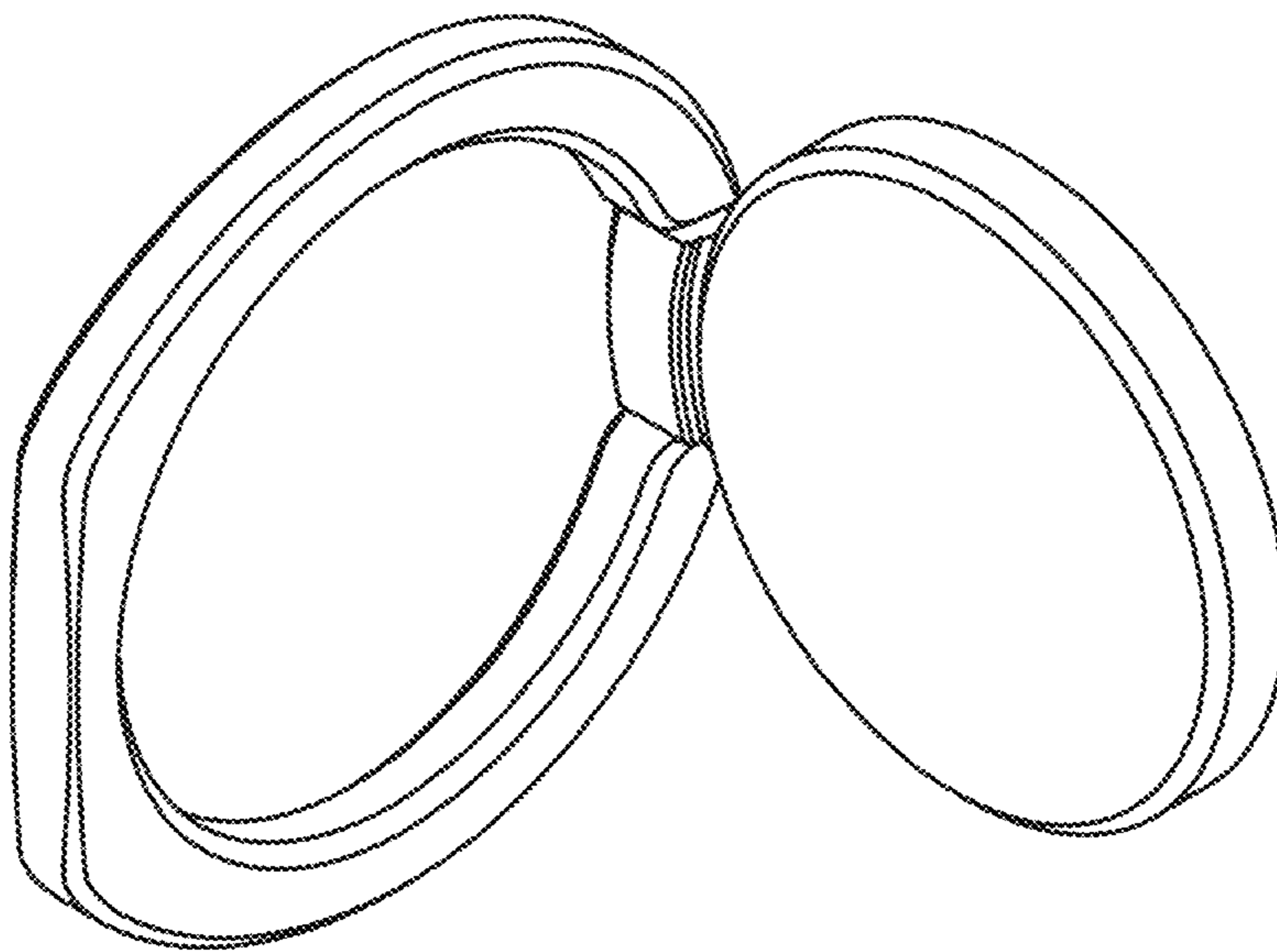


FIG. 17

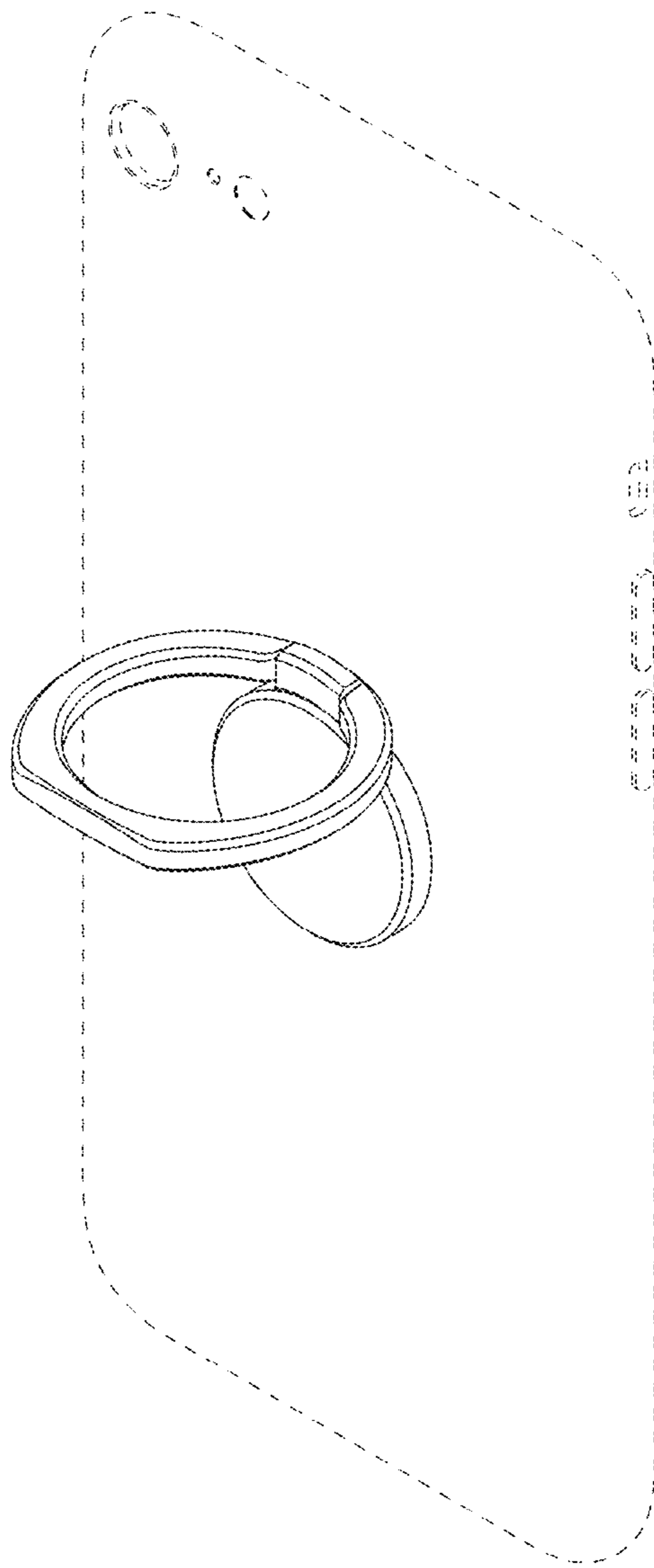


FIG. 18

