

US00D855045S

(12) **United States Design Patent**
Igarashi

(10) **Patent No.:** **US D855,045 S**

(45) **Date of Patent:** **** Jul. 30, 2019**

(54) **CASE FOR PROTECTING MOBILE COMMUNICATIONS DEVICE**

(71) Applicant: **Power Support Co., Ltd.**, Tokyo (JP)

(72) Inventor: **Katsushi Igarashi**, Tokyo (JP)

(73) Assignee: **Power Support Co., Ltd.**, Tokyo (JP)

(**) Term: **15 Years**

(21) Appl. No.: **29/550,835**

(22) Filed: **Jan. 7, 2016**

(30) **Foreign Application Priority Data**

Jul. 7, 2015 (JP) 2015-15155

(51) **LOC (11) Cl.** **14-03**

(52) **U.S. Cl.**
USPC **D14/250; D3/249**

(58) **Field of Classification Search**

USPC D3/215, 218, 232, 233, 239, 242,
D3/245-251, 269, 273, 301, 303;
D13/103, 107, 108, 119; D14/137,
D14/138 R, 138 AA, 138 C, 138 G,
D14/203.3-203.7, 217, 238.1, 247, 248,
D14/250, 251-253, 440, 447

CPC H04B 1/3888; H04M 1/0283; H04M
1/0202; A45C 1/06; A45C 2011/002;
A45C 11/00; A45F 2005/028; A45F
2200/0525

See application file for complete search history.

(56) **References Cited**

U.S. PATENT DOCUMENTS

4,170,914 A * 10/1979 Carrier B65D 83/0864
206/38
D256,852 S * 9/1980 McGahee D3/247
D314,865 S * 2/1991 Tuisku D3/247
D431,719 S * 10/2000 Mucarquer D3/247
6,155,410 A * 12/2000 Davis A45C 11/182
150/147

D541,964 S * 5/2007 Tseng D26/37
D575,506 S * 8/2008 Huang D3/247
D606,308 S * 12/2009 Cheng-Wei D3/294
D615,078 S * 5/2010 Bradley D14/250

(Continued)

FOREIGN PATENT DOCUMENTS

JP 2014-117483 A 6/2014

OTHER PUBLICATIONS

Japanese Office Action dated Jan. 5, 2016 from corresponding Japanese Application No. 2015-015155; 4 pgs.

(Continued)

Primary Examiner — Susan E Krakower

Assistant Examiner — L. A. Grabenstetter

(74) *Attorney, Agent, or Firm* — Maier & Maier, PLLC

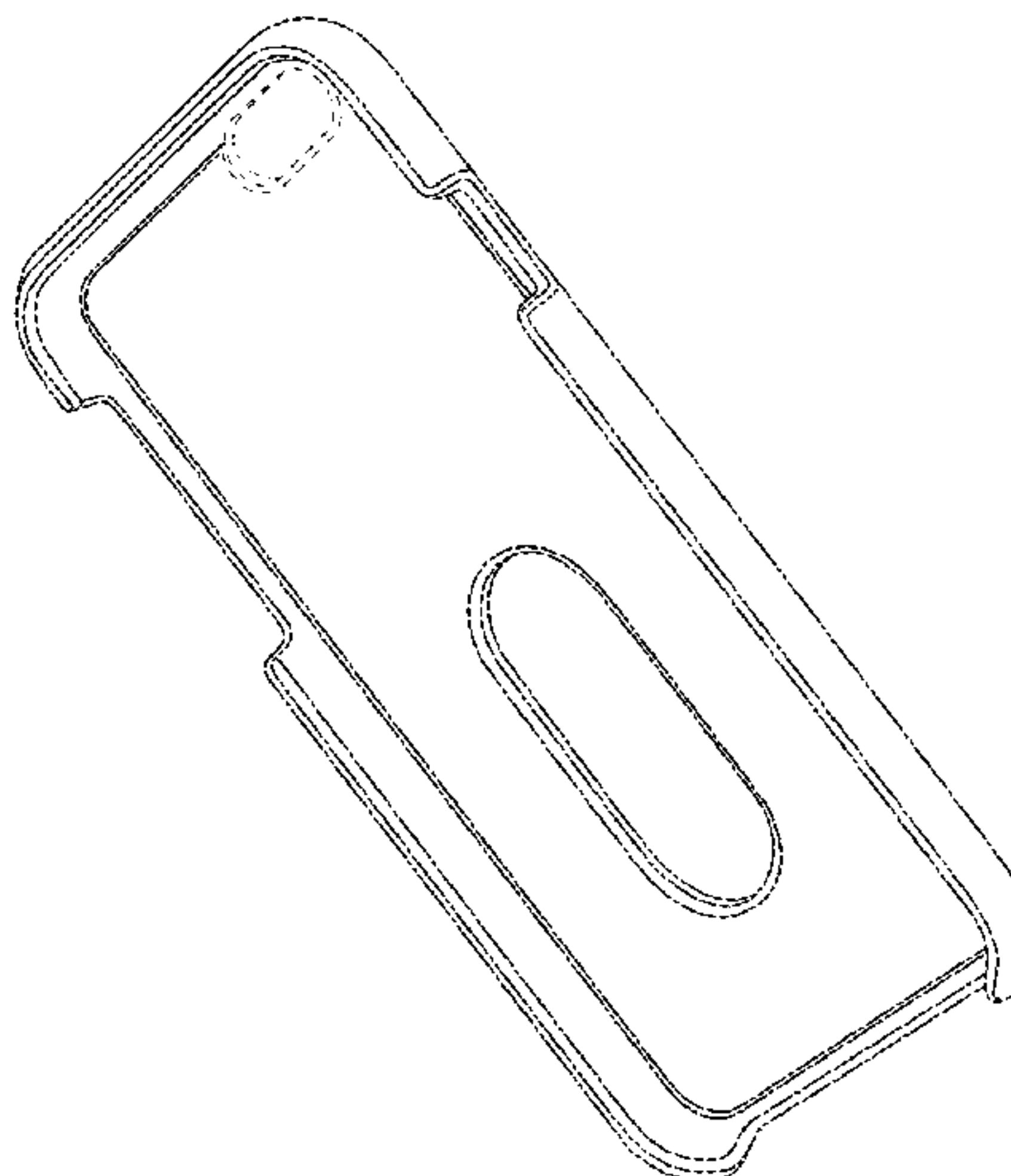
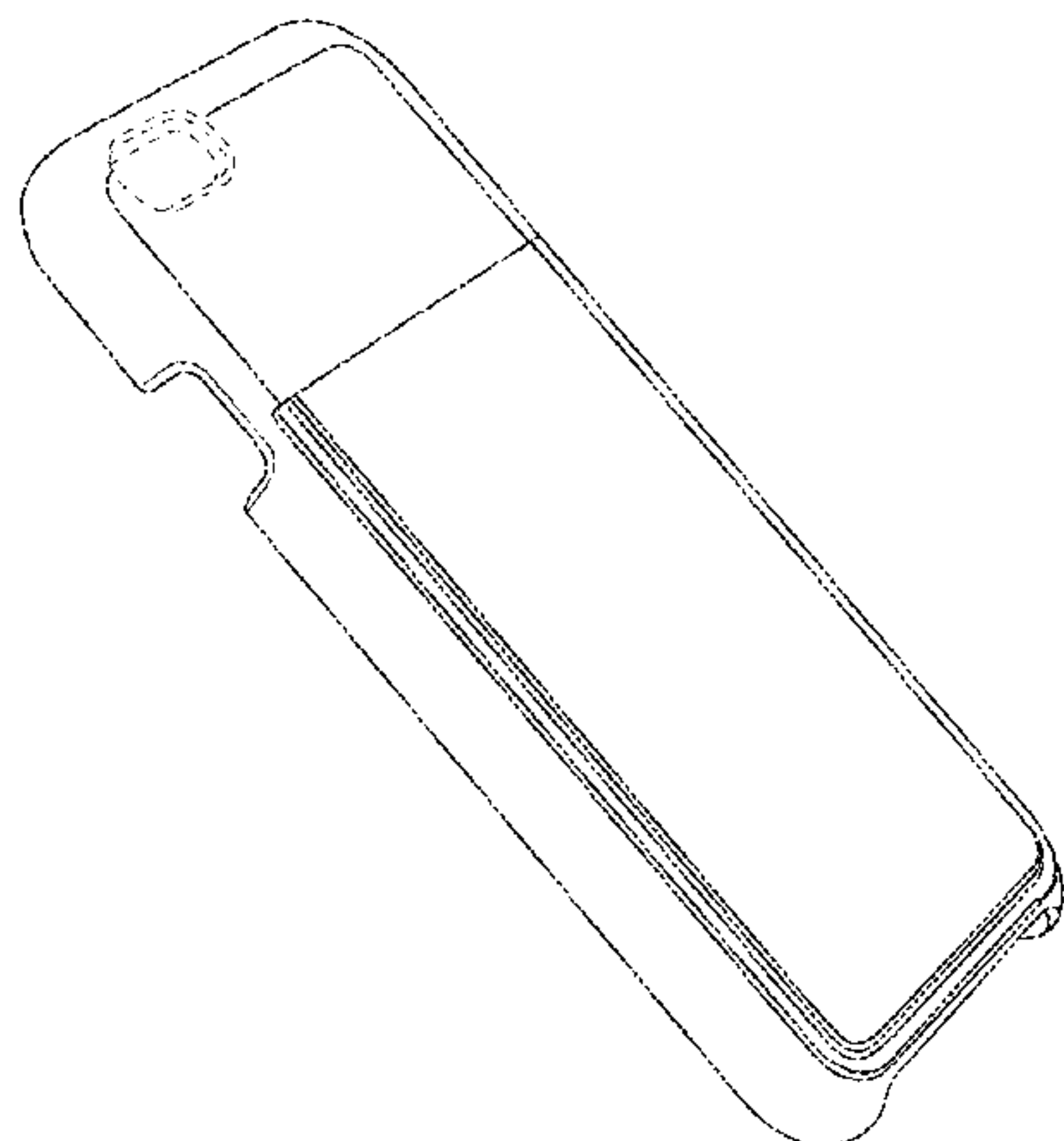
(57) **CLAIM**

The ornamental design for a case for protecting mobile communications device, as shown and described.

DESCRIPTION

FIG. 1 is a front elevation view of a case for protecting mobile communications device;
FIG. 2 is a back elevation view thereof;
FIG. 3 is a right elevation view thereof;
FIG. 4 is a left elevation view thereof;
FIG. 5 is a top plan view thereof;
FIG. 6 is a bottom plan view thereof;
FIG. 7 is a cross-sectional view thereof, taken along line 7-7 of FIG. 1;
FIG. 8 is a cross-sectional view thereof, taken along line 8-8 of FIG. 2;
FIG. 9 is a front perspective view thereof; and,
FIG. 10 is a back perspective view thereof.
The dash-dash broken lines represent environmental subject matter that forms no part of the claimed design.

1 Claim, 7 Drawing Sheets



(56)

References Cited

U.S. PATENT DOCUMENTS

D619,805 S * 7/2010 Leung D3/238
 D620,931 S * 8/2010 Opman D14/250
 D625,303 S * 10/2010 Kim D14/250
 D637,232 S * 5/2011 Ringl D19/86
 D637,648 S * 5/2011 Ringl D19/86
 D649,539 S * 11/2011 Hong D14/250
 D653,851 S * 2/2012 Flyvholm D3/247
 D678,871 S * 3/2013 Mishan D14/250
 D681,620 S * 5/2013 Huskinson D14/250
 D688,655 S * 8/2013 Rey-Hipolito D14/250
 D703,651 S * 4/2014 Ehrlich D14/250
 D709,059 S * 7/2014 Kim D14/250
 D709,061 S * 7/2014 Borra D14/250
 D718,289 S * 11/2014 Brand D14/250
 D723,535 S * 3/2015 Minn D14/250
 9,004,275 B2 4/2015 Lee et al.
 D741,335 S * 10/2015 Bastian D14/440
 D743,388 S * 11/2015 Fitzpatrick D14/250

D750,056 S * 2/2016 Lee D14/250
 D753,099 S * 4/2016 Kim D14/250
 D755,168 S * 5/2016 Kim D14/250
 D756,977 S * 5/2016 Schriefer D14/250
 D761,774 S * 7/2016 Liang D14/250
 D764,476 S * 8/2016 Gleason, III D14/440
 2002/0117243 A1* 8/2002 Koren G06F 3/04817
 150/147
 2010/0224519 A1* 9/2010 Kao A45C 11/00
 206/320
 2010/0230301 A1 9/2010 Fellig
 2011/0294556 A1 12/2011 Carlberg et al.
 2013/0273944 A1* 10/2013 Wilson H04W 4/90
 455/457

OTHER PUBLICATIONS

United States Office Action dated Jan. 23, 2019, in connection with corresponding U.S. Appl. No. 15/576,745 (19 pgs.).

* cited by examiner

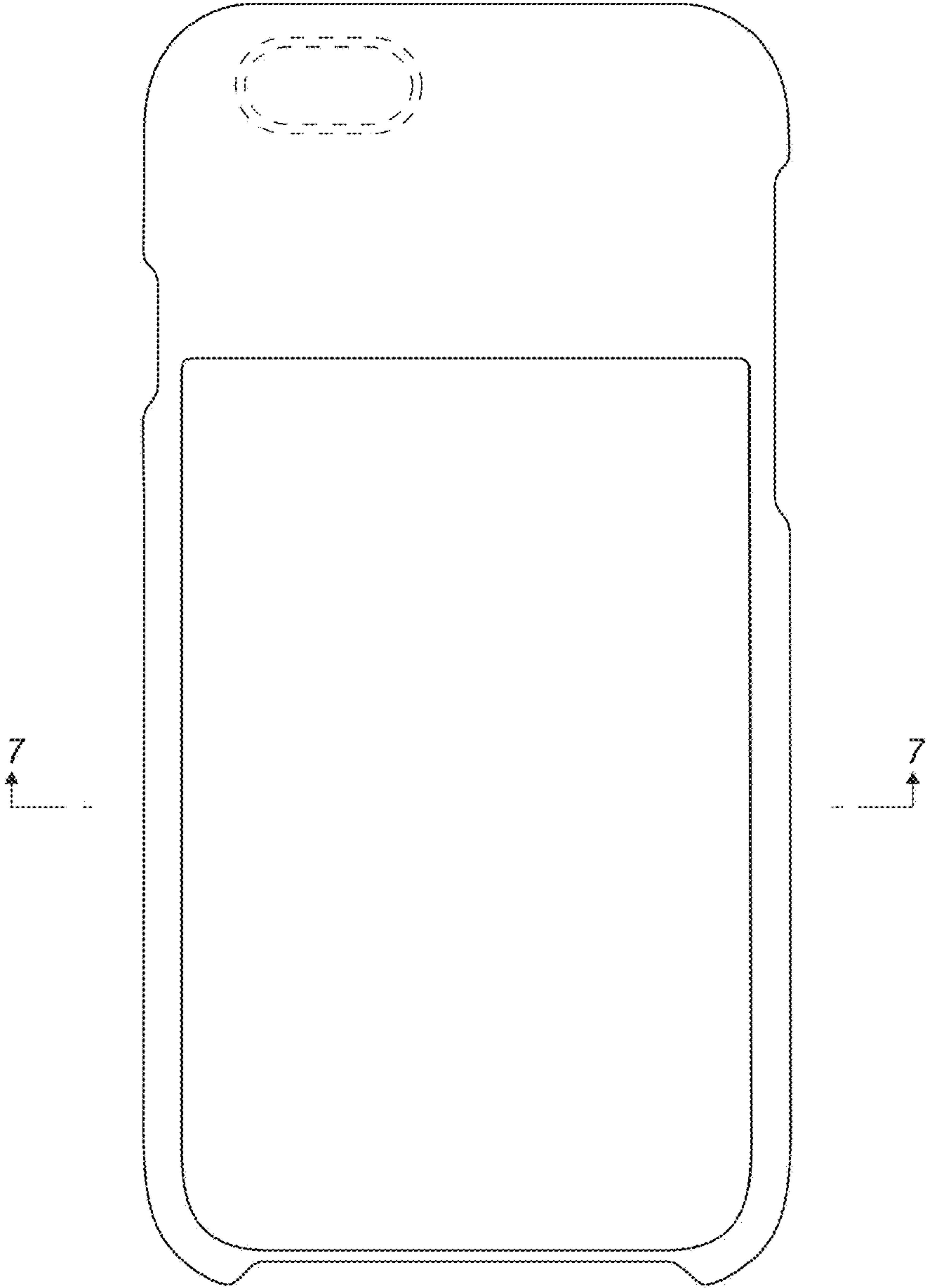


FIG. 1

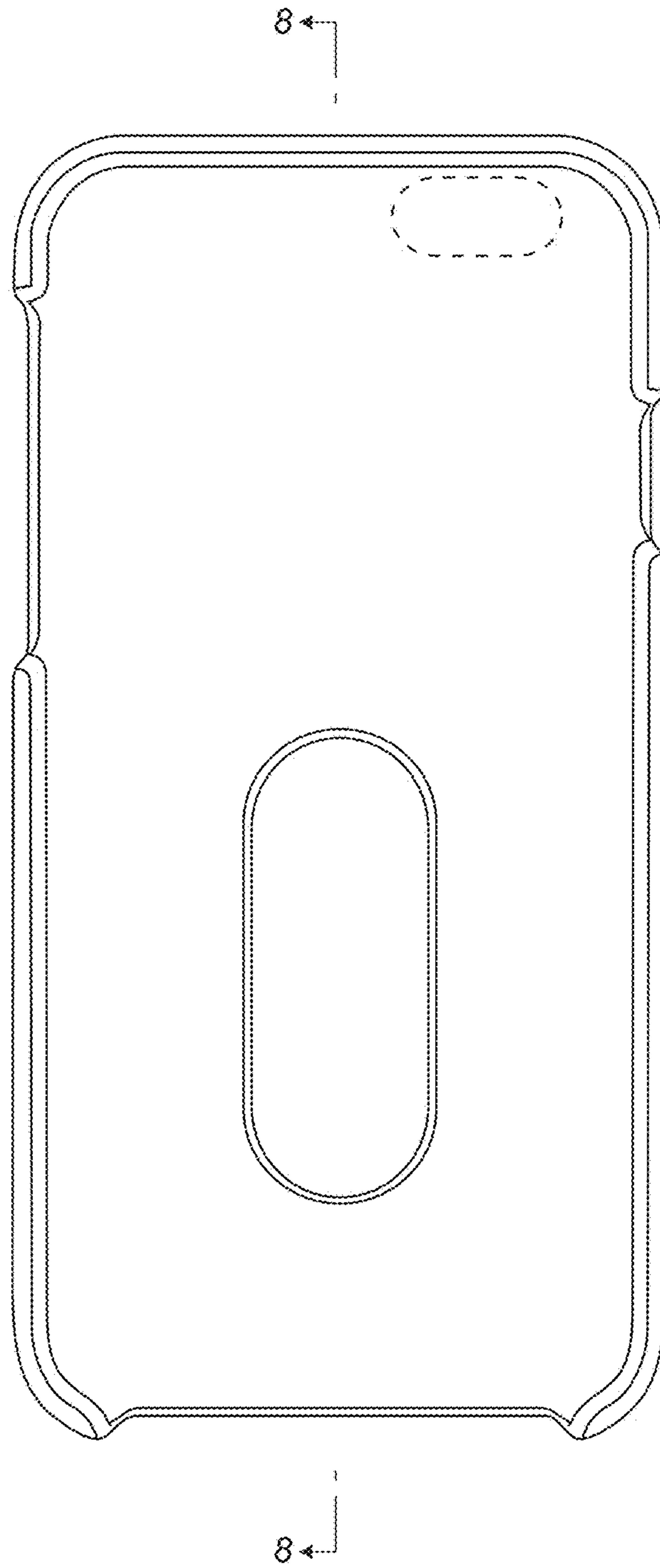


FIG. 2

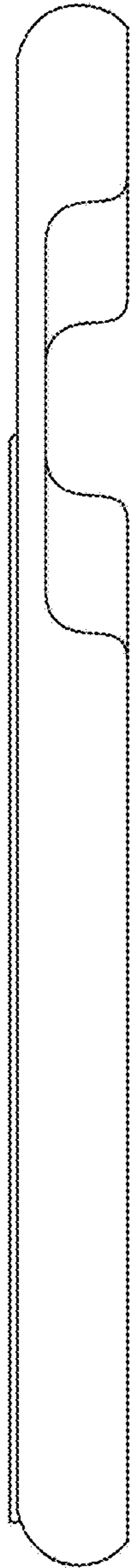


FIG. 3

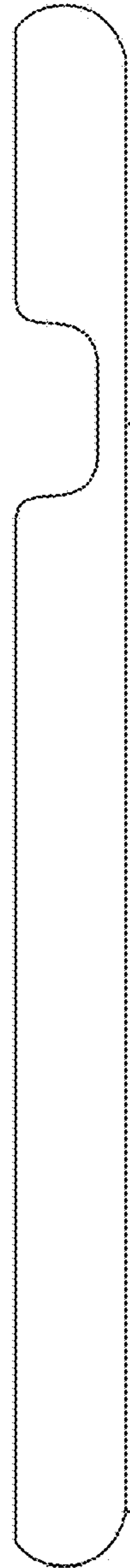


FIG. 4



FIG. 5

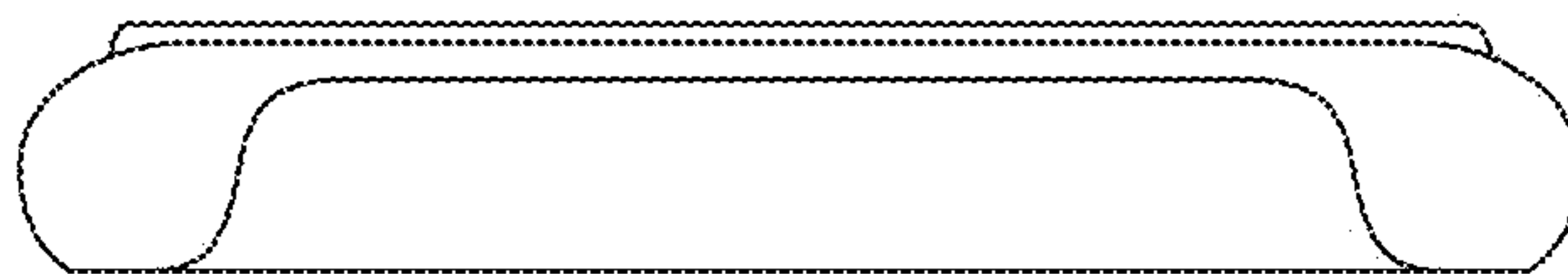


FIG. 6

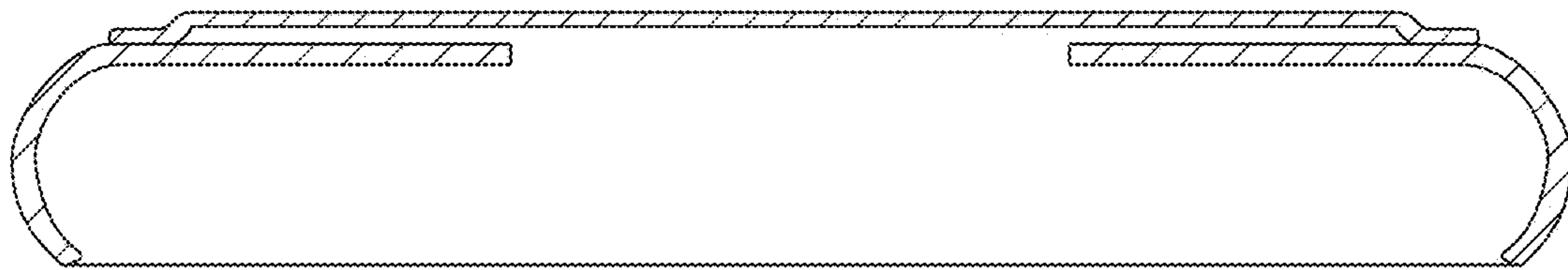


FIG. 7

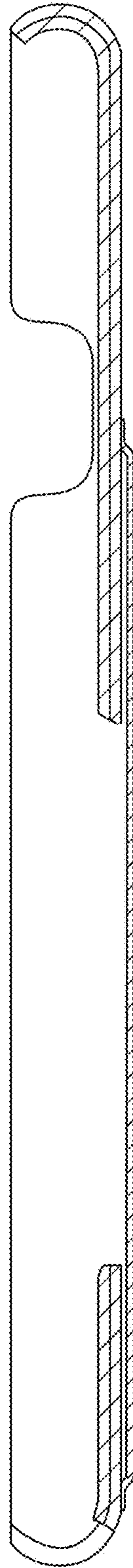


FIG. 8

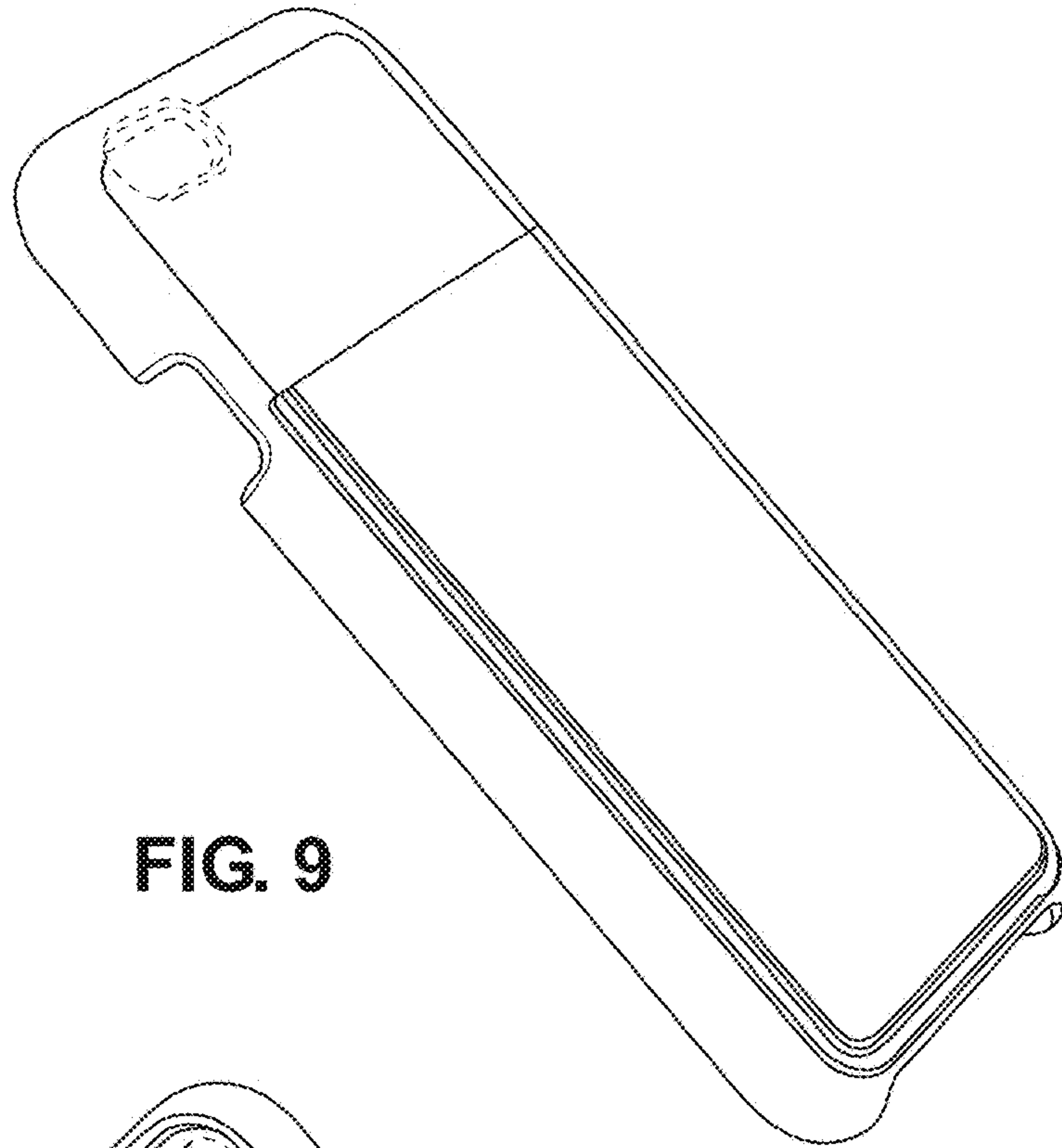


FIG. 9

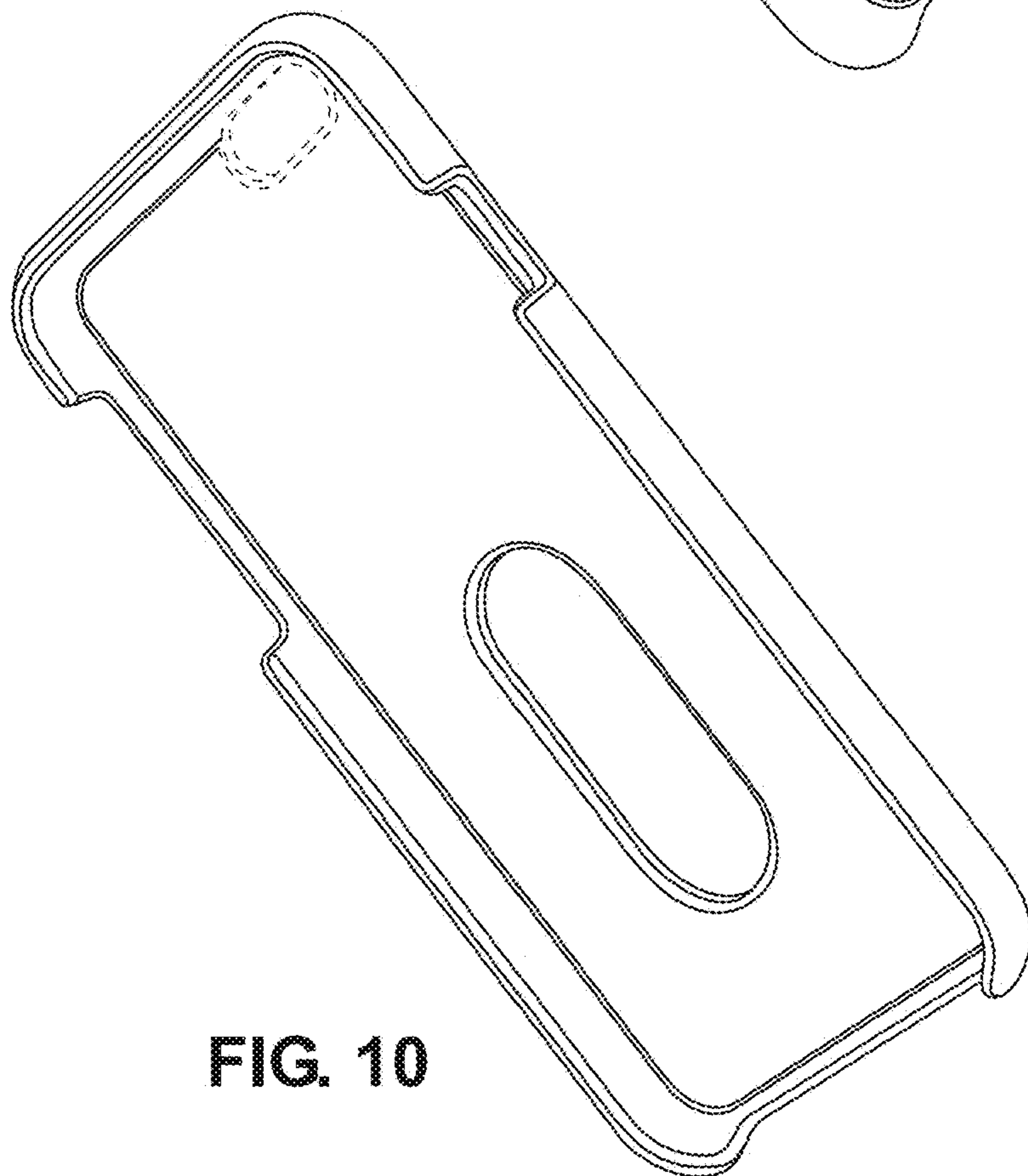


FIG. 10