



US00D855039S

(12) **United States Design Patent**
Naweed

(10) **Patent No.:** **US D855,039 S**

(45) **Date of Patent:** **** Jul. 30, 2019**

- (54) **ANTENNA**
- (71) Applicant: **PVC Antenna Inc.**, Tracy, CA (US)
- (72) Inventor: **Shafiq A. Naweed**, Tracy, CA (US)
- (73) Assignee: **PVC ANTENNA INC.**, Tracy, CA (US)
- (**) Term: **15 Years**
- (21) Appl. No.: **29/668,003**

D232,844 S	9/1974	Feit	
D239,774 S	5/1976	Kuldin	
D242,863 S	* 12/1976	Middlemark D14/234
D321,884 S	11/1991	Barrett	
5,111,212 A	5/1992	DeSatnick et al.	
5,168,279 A	12/1992	Knight	
5,198,829 A	3/1993	Marshall	
D367,063 S	2/1996	Fillion-Robin	
D367,655 S	3/1996	Rak	
5,684,493 A	11/1997	Floyd et al.	
D391,261 S	2/1998	Harada et al.	
D413,892 S	9/1999	Lasater	
D419,159 S	1/2000	Davi et al.	

(Continued)

- (22) Filed: **Oct. 26, 2018**
- (51) **LOC (11) Cl.** **14-03**
- (52) **U.S. Cl.**
USPC **D14/230; D14/236**
- (58) **Field of Classification Search**
USPC D14/138, 230-238, 299, 358; D12/42,
D12/43
CPC H01Q 7/00; H01Q 13/10; H01Q 9/285;
H01Q 19/30; H01Q 19/12; H01Q 1/38;
H01Q 1/36; H01Q 2/0027; H01Q 1/48;
H01Q 9/045; H01Q 1/243; H04B 1/0475;
H04B 1/034; H05K 11/00
See application file for complete search history.

FOREIGN PATENT DOCUMENTS

CA 2660552 2/2008

OTHER PUBLICATIONS

Magic Stick TV, <https://www.magicsticktv.com/>.

Primary Examiner — John Windmuller

(74) *Attorney, Agent, or Firm* — Cislo & Thomas, LLP

(57) **CLAIM**

The ornamental design for an antenna, as shown and described.

DESCRIPTION

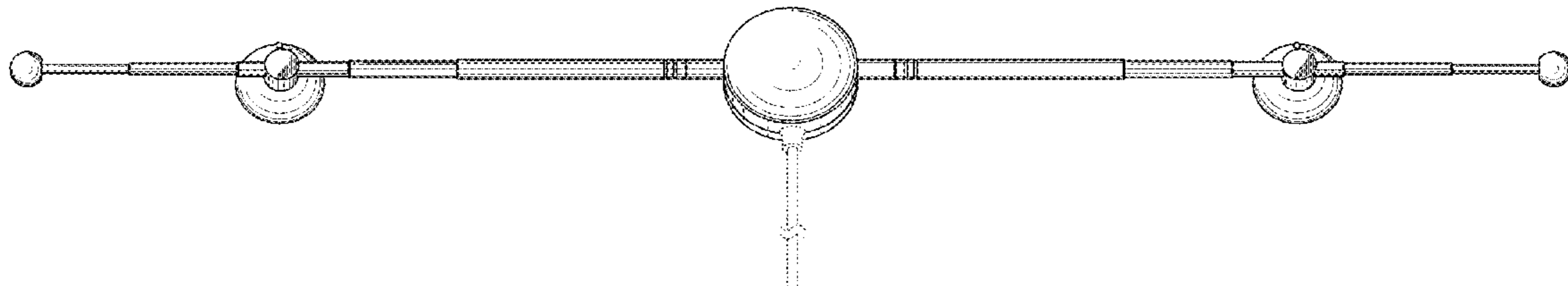
FIG. 1 is a perspective view of my antenna;
 FIG. 2 is a front view thereof;
 FIG. 3 is a rear view thereof;
 FIG. 4 is a top view thereof;
 FIG. 5 is a bottom view thereof;
 FIG. 6 is a left side view thereof; and,
 FIG. 7 is a right side view thereof.

The broken line portions of the disclosure are included for the purpose of illustrating environment and form no part of the claimed design.

1 Claim, 4 Drawing Sheets

(56) **References Cited**
U.S. PATENT DOCUMENTS

2,031,002 A	2/1936	Moore	
D112,523 S	1/1938	Guggenheim	
D110,199 S	6/1938	Stimps	
2,419,552 A	4/1947	Himmel et al.	
D152,990 S	3/1949	Leonard	
D155,113 S	* 9/1949	Trebules 343/805
D156,379 S	12/1949	Spirt	
D158,233 S	4/1950	Trowbridge	
D158,697 S	5/1950	Spector	
2,521,798 A	9/1950	Leonard	
D194,748 S	3/1963	Rogers	
3,335,420 A	8/1967	Silliman	
D219,106 S	11/1970	Greene	
D227,676 S	7/1973	Okada	



(56)

References Cited

U.S. PATENT DOCUMENTS

D427,996 S	7/2000	Heiligenstein et al.	D585,435 S	1/2009	Wafer
6,204,824 B1	3/2001	Davi et al.	D643,025 S	8/2011	Podduturi
D441,356 S	5/2001	Webb et al.	8,081,132 B2	12/2011	Su
D469,082 S	1/2003	Moles	D652,026 S	1/2012	Yukimoto et al.
D470,837 S	2/2003	Tourres	D652,027 S	1/2012	Hernandez et al.
D491,926 S	6/2004	Tai et al.	D710,834 S	8/2014	Jeon et al.
D491,927 S	6/2004	Tai et al.	D711,358 S	8/2014	Jeon et al.
D501,201 S	1/2005	Chiang et al.	D738,868 S	9/2015	Scott et al.
D506,749 S	6/2005	Sullivan et al.	D748,079 S	1/2016	Dinsdale et al.
D506,995 S	7/2005	Wilson	D773,866 S	12/2016	Hogberg
D521,988 S	5/2006	Green	D793,347 S	8/2017	Nostrant
D528,105 S	9/2006	Green	D794,558 S	8/2017	Zhou
D532,412 S	11/2006	Yang	D815,074 S *	4/2018	Naweed D14/230
D534,163 S	12/2006	Yun et al.	2008/0111761 A1	5/2008	Kan et al.
D558,190 S	12/2007	Cislo	2009/0073949 A1	3/2009	Malak et al.
D561,744 S	2/2008	Whiteside et al.	2009/0122400 A1	5/2009	Adams et al.
D561,745 S	2/2008	Green	2010/0214188 A1 *	8/2010	Furutani H01Q 1/2225 343/793
			2012/0274530 A1	11/2012	Mimemura et al.
			2015/0002356 A1	1/2015	Urbasic

* cited by examiner

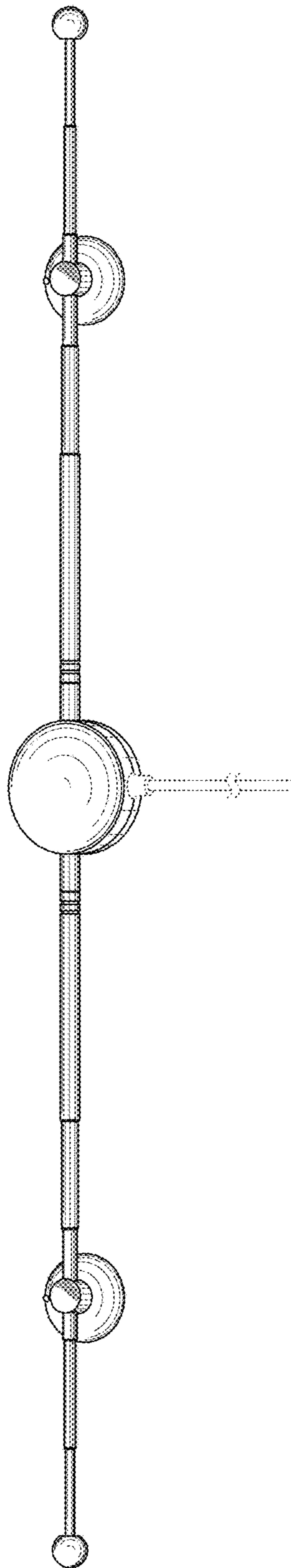


Fig. 1

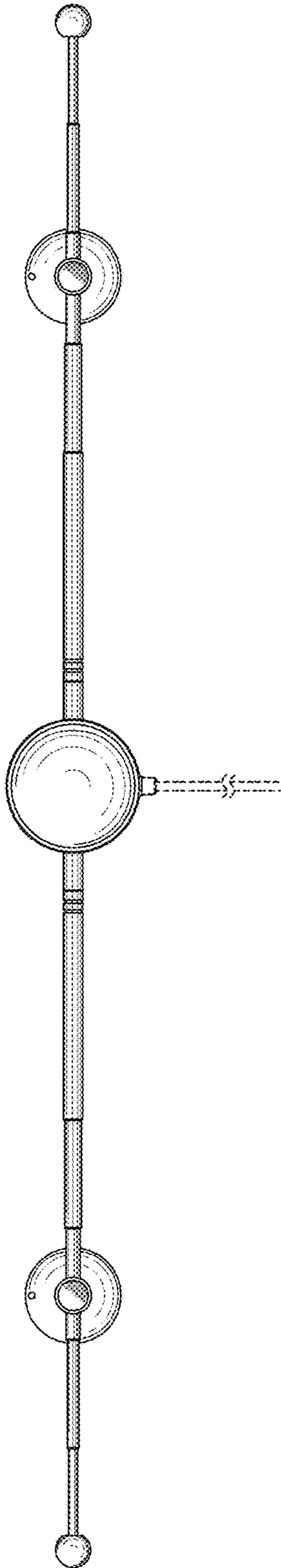


Fig. 2

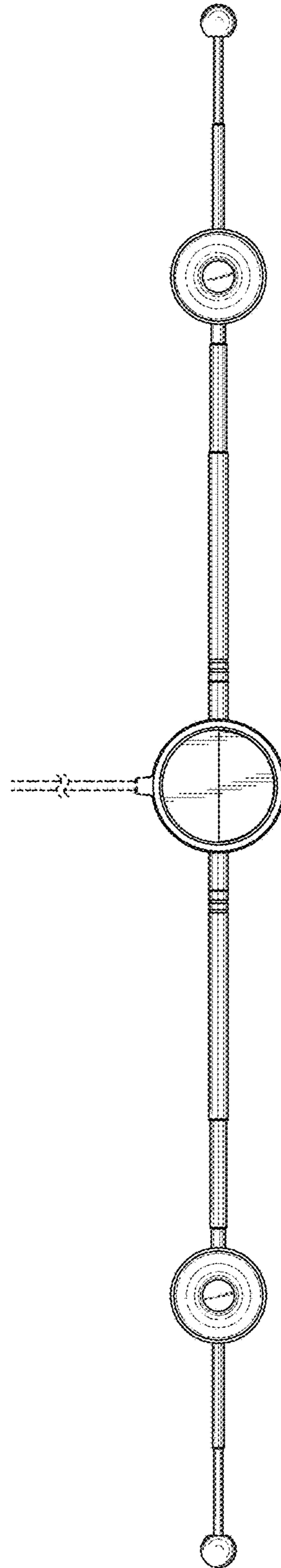


Fig. 3

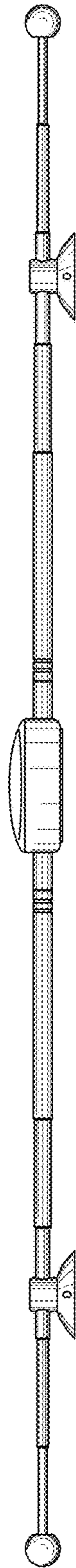


Fig. 4

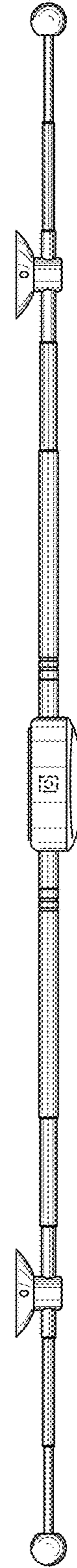


Fig. 5

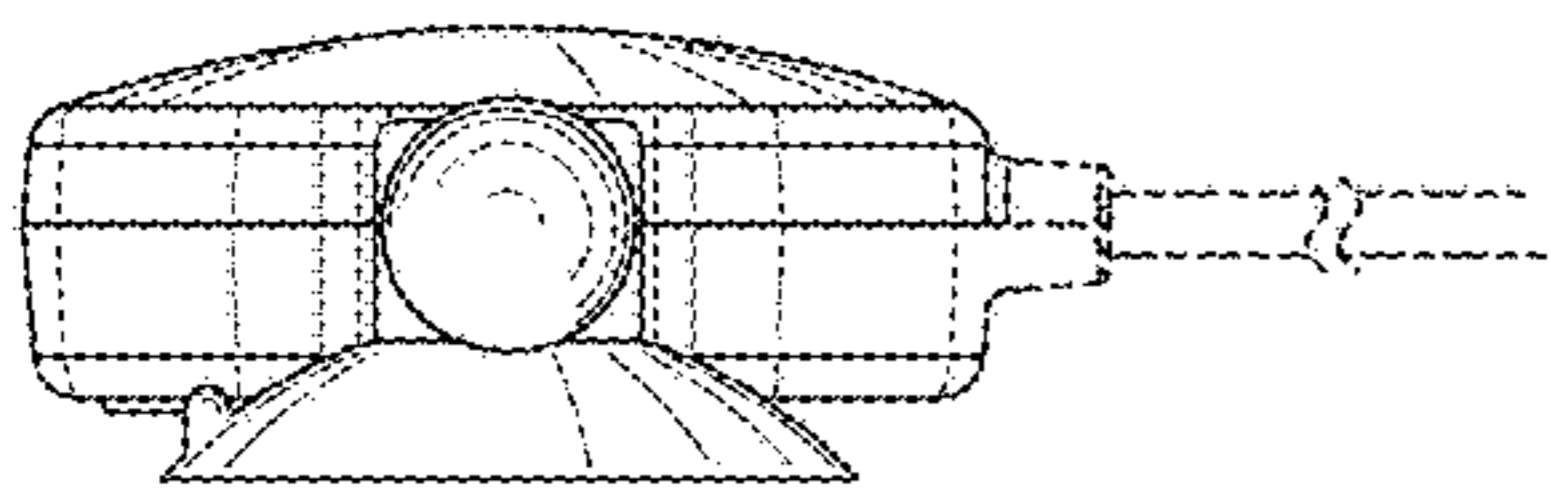


Fig. 6

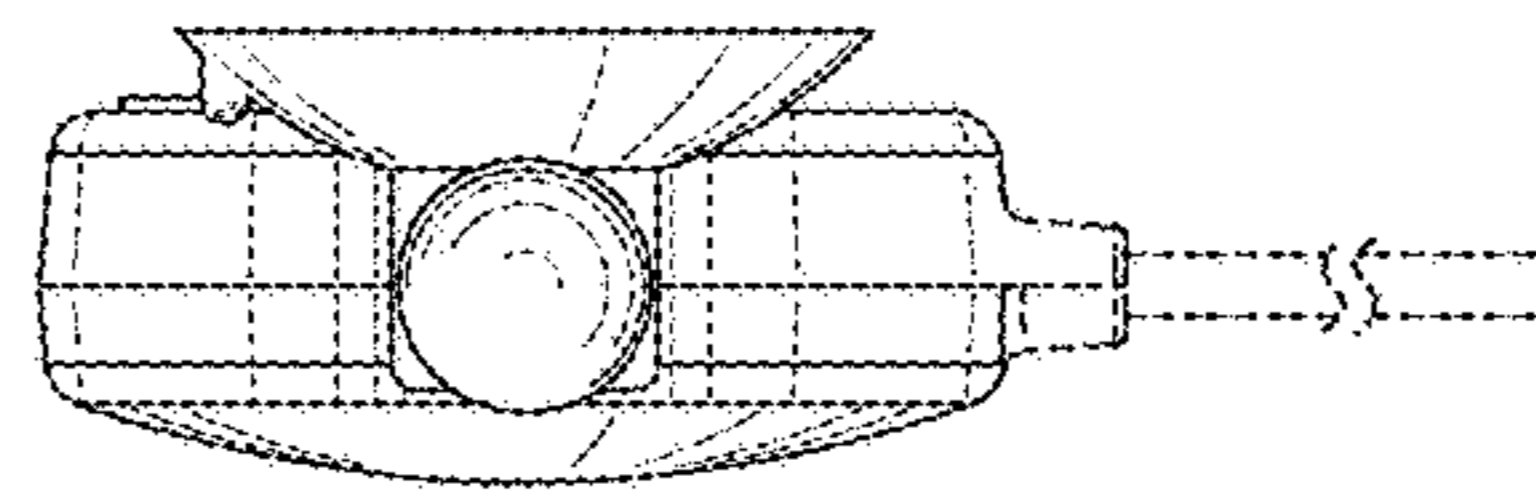


Fig. 7