



US00D855037S

(12) **United States Design Patent** (10) **Patent No.:** **US D855,037 S**
Lee (45) **Date of Patent:** **** Jul. 30, 2019**

- (54) **EARBUD HOOK FOR EARPHONES**
- (71) Applicant: **GN Audio A/S**, Ballerup (DK)
- (72) Inventor: **Chang Ho Lee**, Ballerup (DK)
- (73) Assignee: **GN Audio A/S** (DK)
- (**) Term: **15 Years**
- (21) Appl. No.: **29/641,754**
- (22) Filed: **Mar. 23, 2018**

D647,514 S *	10/2011	Wikel	D14/223
D653,244 S *	1/2012	Birger	D14/223
D754,638 S *	4/2016	Krissman	D14/223
D773,440 S *	12/2016	Pedersen	D14/223
D784,961 S *	4/2017	Armstrong	D14/223
D795,844 S *	8/2017	Harper	D14/223
D823,836 S *	7/2018	Eaton	D14/229
D835,077 S *	12/2018	Aoyagi	D14/223
2002/0041697 A1 *	4/2002	MacDonald	H04R 1/10 381/381
2002/0096391 A1 *	7/2002	Smith	H04R 1/10 181/135

(Continued)

Related U.S. Application Data

- (62) Division of application No. 29/581,296, filed on Oct. 18, 2016, now Pat. No. Des. 845,281.

Foreign Application Priority Data

- Apr. 21, 2016 (EM) 003076975-0001
- Apr. 21, 2016 (EM) 003076975-0002
- Apr. 21, 2016 (EM) 003076975-0003
- Apr. 21, 2016 (EM) 003076975-0004
- Apr. 21, 2016 (EM) 003076975-0005

- (51) **LOC (11) Cl.** **14-01**
- (52) **U.S. Cl.**
USPC **D14/223**

- (58) **Field of Classification Search**
USPC D14/205, 221, 223, 224, 224.1, 225;
D24/173, 174
CPC H04R 1/10; H04R 1/1016; H04R 1/1066;
H04R 1/1033; H04R 1/08; H04R 5/033;
H04R 5/0335; H04R 25/00
See application file for complete search history.

(56) **References Cited**

U.S. PATENT DOCUMENTS

- D449,295 S * 10/2001 Smith D14/142
- D508,044 S * 8/2005 Houghton D14/205

OTHER PUBLICATIONS

Jabra Halo Free Wireless Bluetooth Stereo Earbuds, posted Sep. 27, 2016 [online], retrieved Dec. 4, 2018, retrieved from internet, see box V.*

(Continued)

Primary Examiner — Barbara Fox
Assistant Examiner — Messina L Smith
(74) *Attorney, Agent, or Firm* — Altera Law Group, LLC

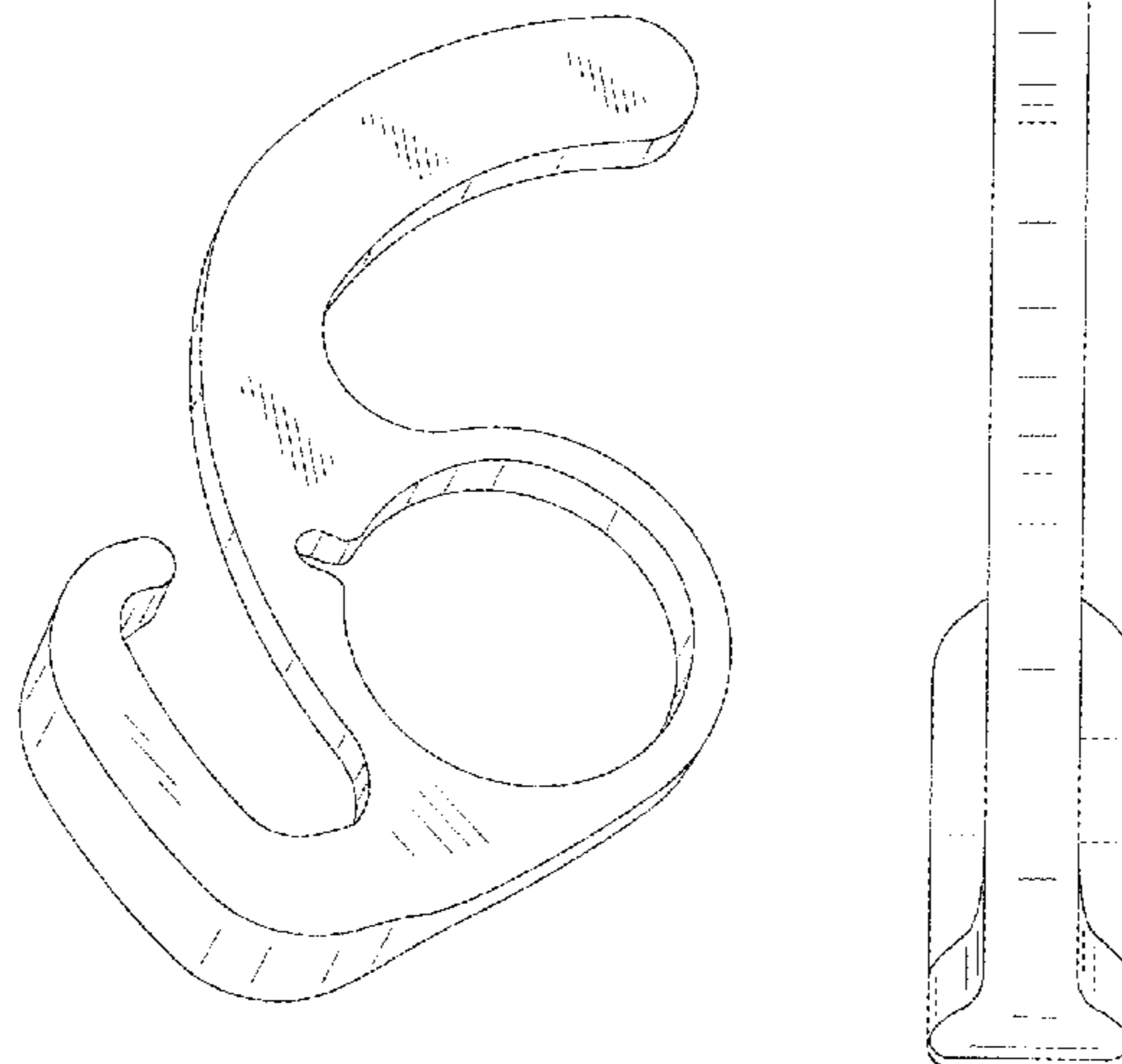
(57) **CLAIM**

The ornamental design for an earbud hook for earphones, as shown and described.

DESCRIPTION

FIG. 1 is a perspective view of an earbud hook for earphones showing my new design.
FIG. 2 is a front view of FIG. 1 thereof.
FIG. 3 is a back view of FIG. 1 thereof.
FIG. 4 is the right side view of FIG. 1 thereof.
FIG. 5 is the left side view of FIG. 1 thereof.
FIG. 6 is a top view of FIG. 1 thereof; and,
FIG. 7 is a bottom view of FIG. 1 thereof.
The features shown in broken lines depict environmental subject matter only and form no part of the claimed design.

1 Claim, 7 Drawing Sheets



(56)

References Cited

U.S. PATENT DOCUMENTS

2015/0156579 A1* 6/2015 Lowry H04R 1/1016
381/380
2016/0014493 A1* 1/2016 Chen H04R 1/1016
381/338
2017/0034611 A1* 2/2017 Maruyama H04R 1/105

OTHER PUBLICATIONS

<https://www.amazon.com/Jabra-Wireless-Bluetooth-Earbuds-Packaging/product-reviews/B01J63O2DM/ref=cm_cr_getr_d_paging_btm_6?ie=UTF8&reviewerType=all_reviews&sortBy=recent&pageNumber=6>.*

Jabra Halo Free Wireless Bluetooth stereo headphones available for Rs. 2899, posted Dec. 20, 2016 [online], retrieved Dec. 4, 2018, retrieved from internet, <<https://www.gogi.in/jabra-halo-free-wireless-bluetooth-stereo-headphones-available-for-rs-2899.html>>.*

* cited by examiner

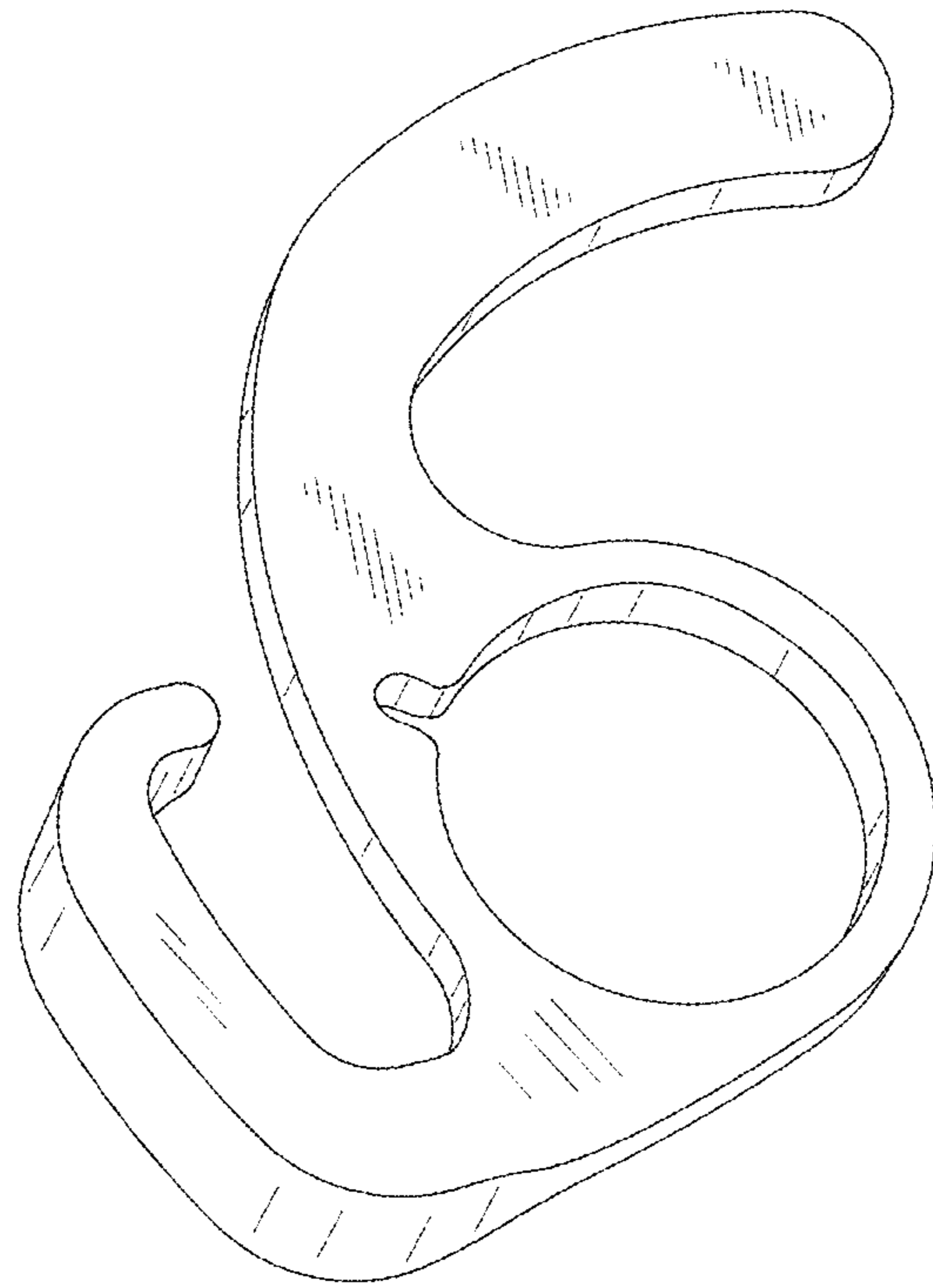


FIG. 1

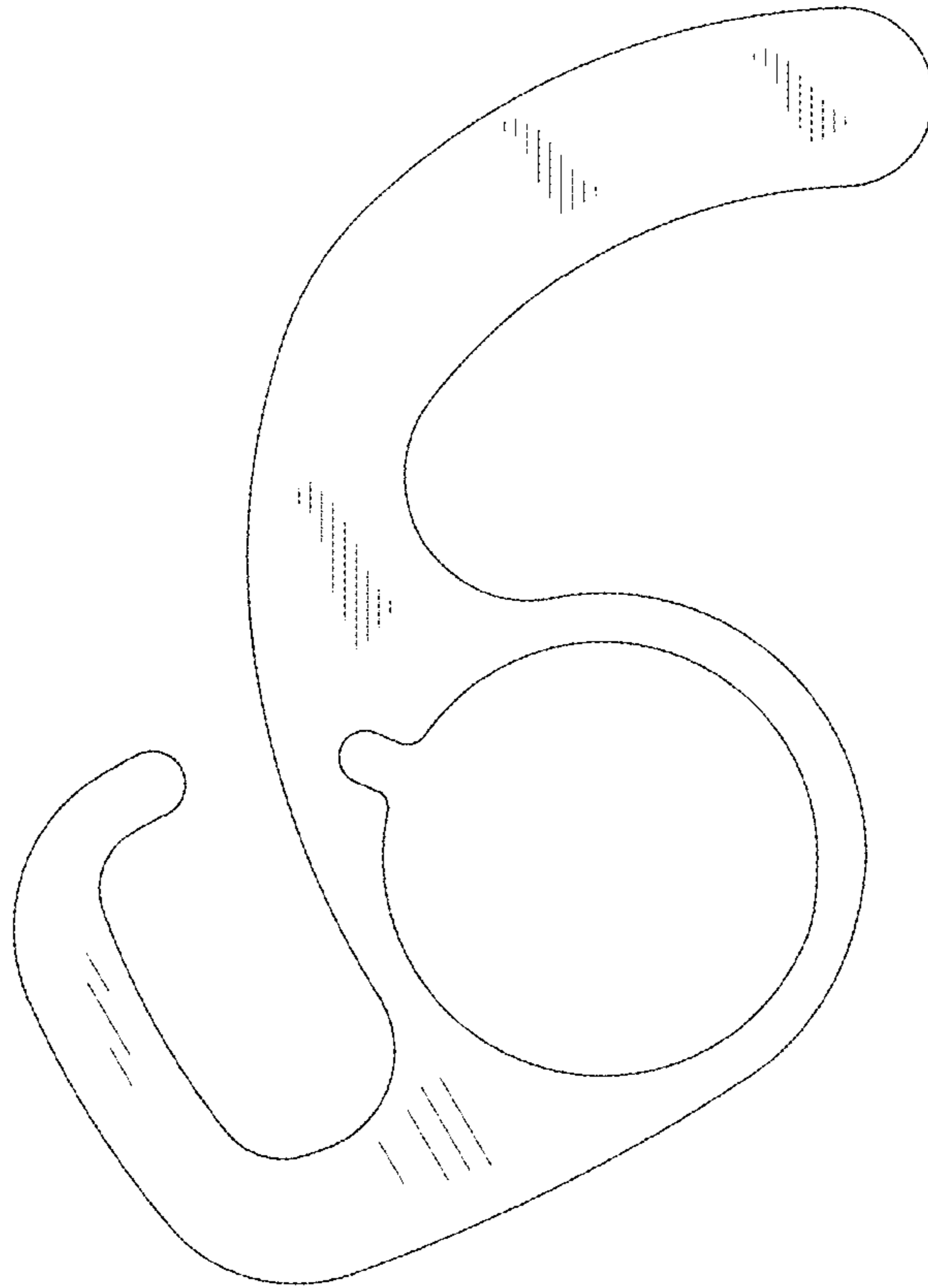


FIG. 2

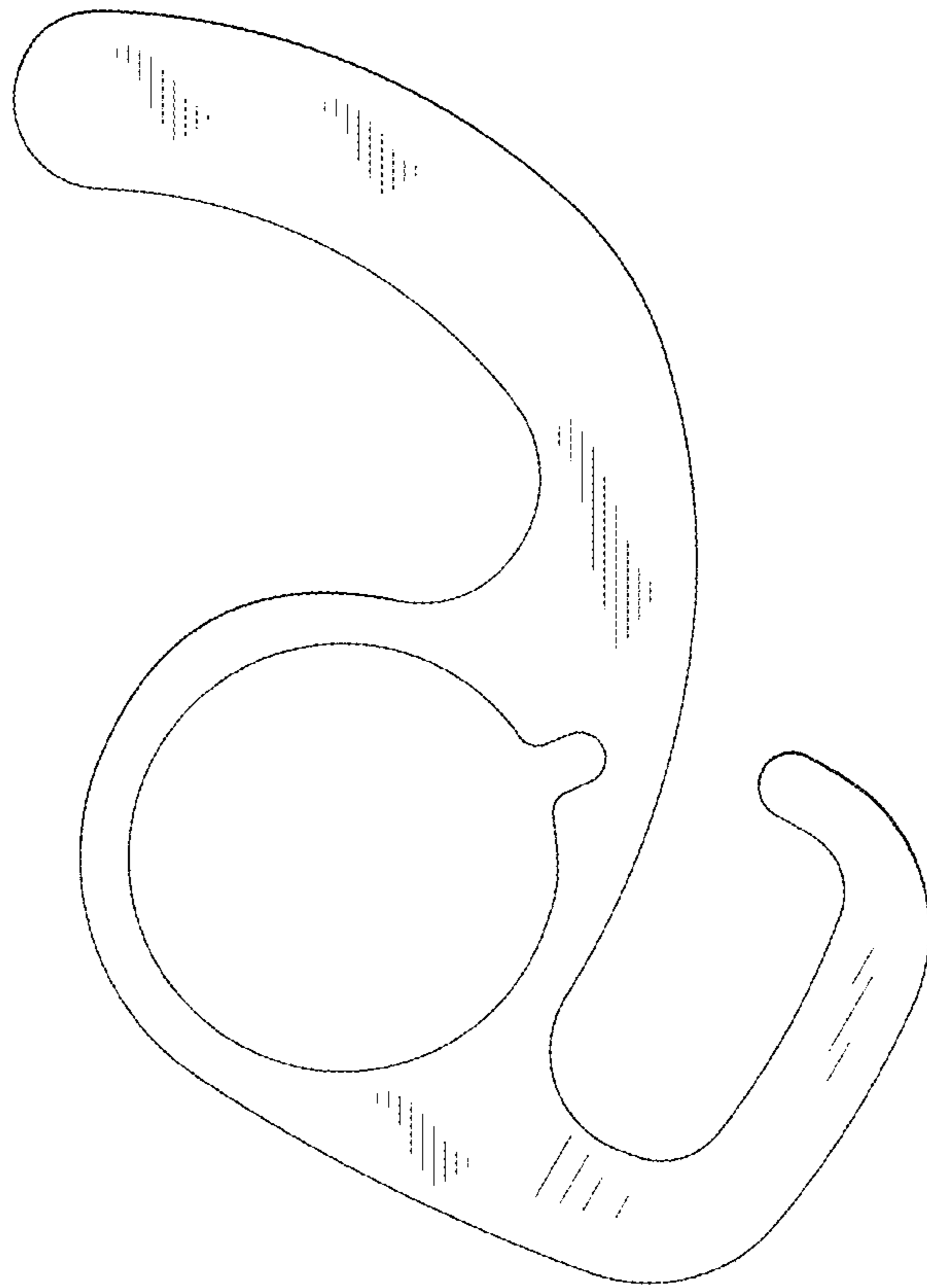


FIG. 3

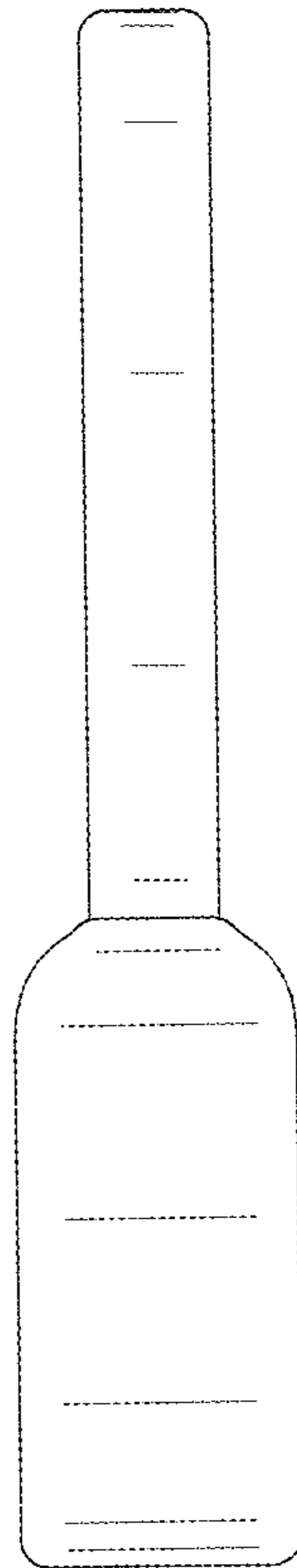


FIG. 4

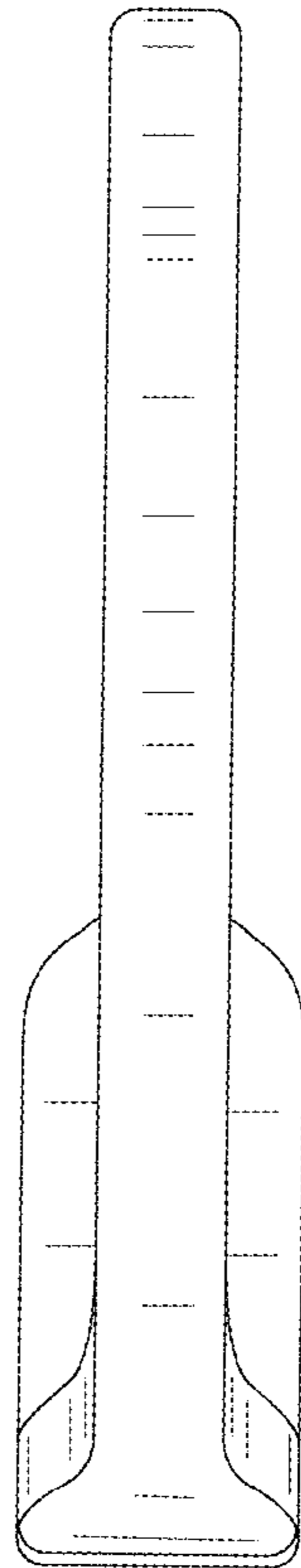


FIG. 5

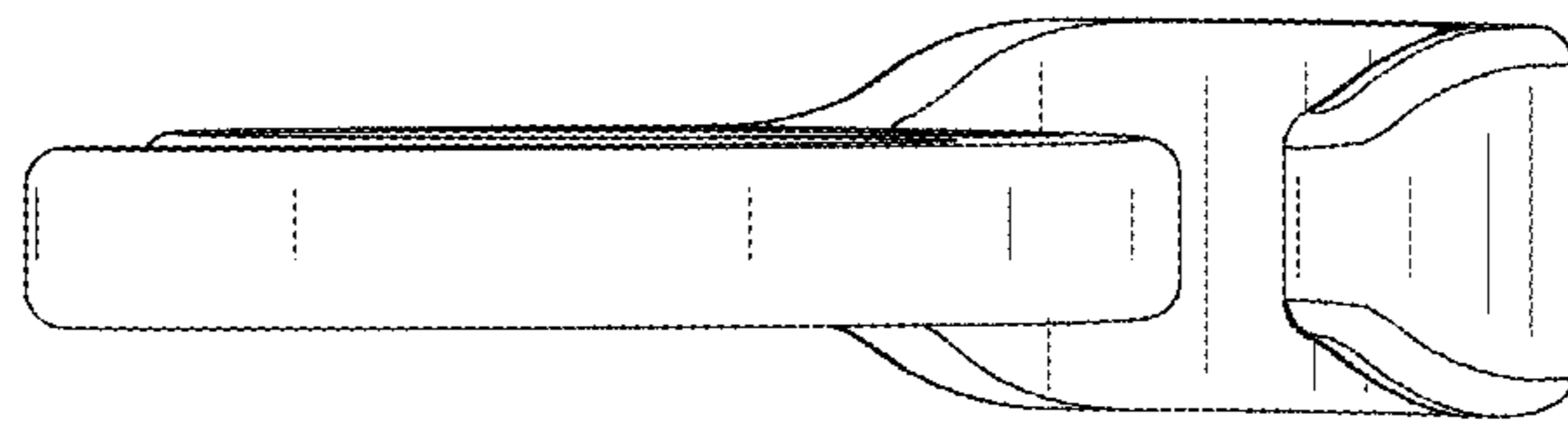


FIG. 6

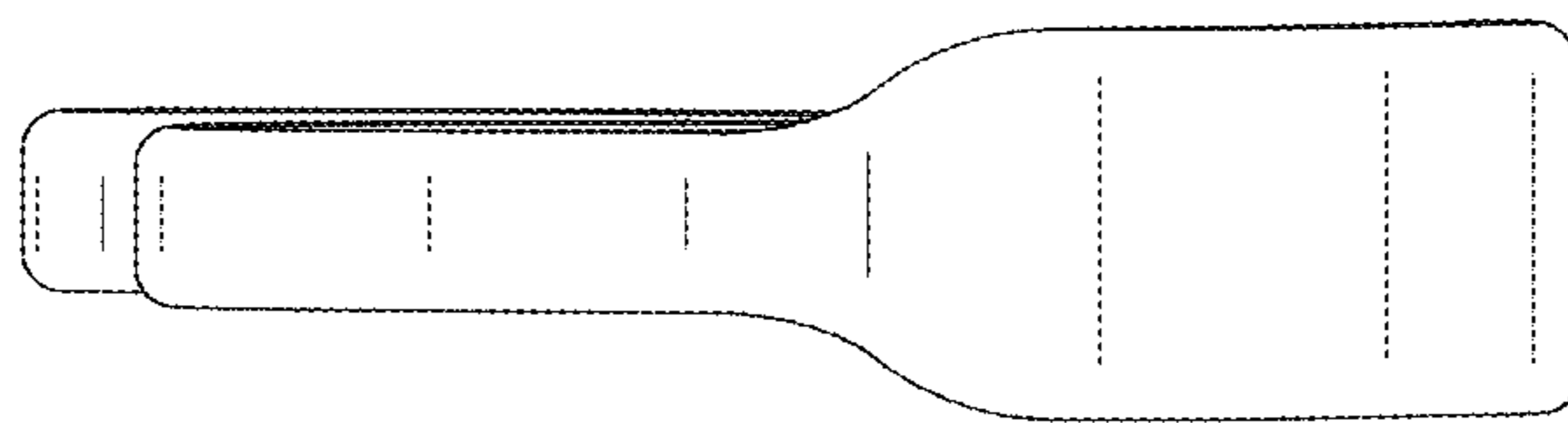


FIG. 7