



US00D855034S

(12) **United States Design Patent**
Loh et al.

(10) **Patent No.:** **US D855,034 S**
(45) **Date of Patent:** **** Jul. 30, 2019**

(54) **PAIR OF HEADPHONES**

- (71) Applicant: **Sennheiser electronic GmbH & Co. KG**, Wedemark (DE)
- (72) Inventors: **Jun Kern Loh**, Singapore (SG); **Chang Tat Lee**, Singapore (SG)
- (73) Assignee: **Sennheiser electronic GmbH & Co. KG**, Wedemark (DE)
- (**) Term: **15 Years**
- (21) Appl. No.: **29/632,786**
- (22) Filed: **Jan. 10, 2018**

Related U.S. Application Data

- (62) Division of application No. 29/587,544, filed on Dec. 14, 2016, now Pat. No. Des. 813,194.

(30) **Foreign Application Priority Data**

- Jun. 27, 2016 (EM) 003241058-0001
- Jun. 27, 2016 (EM) 003241058-0002
- Jun. 27, 2016 (EM) 003241058-0003
- Jun. 27, 2016 (EM) 003241058-0004
- Jun. 27, 2016 (EM) 003241058-0006
- Jun. 27, 2016 (EM) 003241058-0007
- Jun. 27, 2016 (EM) 003241058-0008
- Jun. 27, 2016 (EM) 003241058-0009
- Jun. 27, 2016 (EM) 003241058-0010

(51) **LOC (11) Cl.** **14-01**

(52) **U.S. Cl.**
USPC **D14/205**

(58) **Field of Classification Search**

USPC D14/205, 188, 192; D29/112; 2/209;
 D28/41; 132/273; 181/129, 130, 135;
 379/430, 431; 381/380, 381, 370, 74;
 455/90.3, 575.1, 569.1
 CPC H04R 1/1066; H04R 1/1016; H04R 5/033;
 H04R 5/0335; H04R 1/10

See application file for complete search history.

(56) **References Cited**

U.S. PATENT DOCUMENTS

- 1,988,880 A * 1/1935 Strouse A61F 11/14
128/866
- 2,437,049 A * 3/1948 Salisbury A61F 11/14
128/866
- 3,562,816 A * 2/1971 Hutchinson A61F 11/14
2/209
- 3,579,640 A * 5/1971 Beguin et al. A61F 11/14
2/209
- D246,242 S * 11/1977 Bellini D14/205
- D246,259 S * 11/1977 Nishimura D14/205
- 4,542,803 A 9/1985 Houng

(Continued)

Primary Examiner — Paula Allen Greene

(74) *Attorney, Agent, or Firm* — Haug Partners LLP

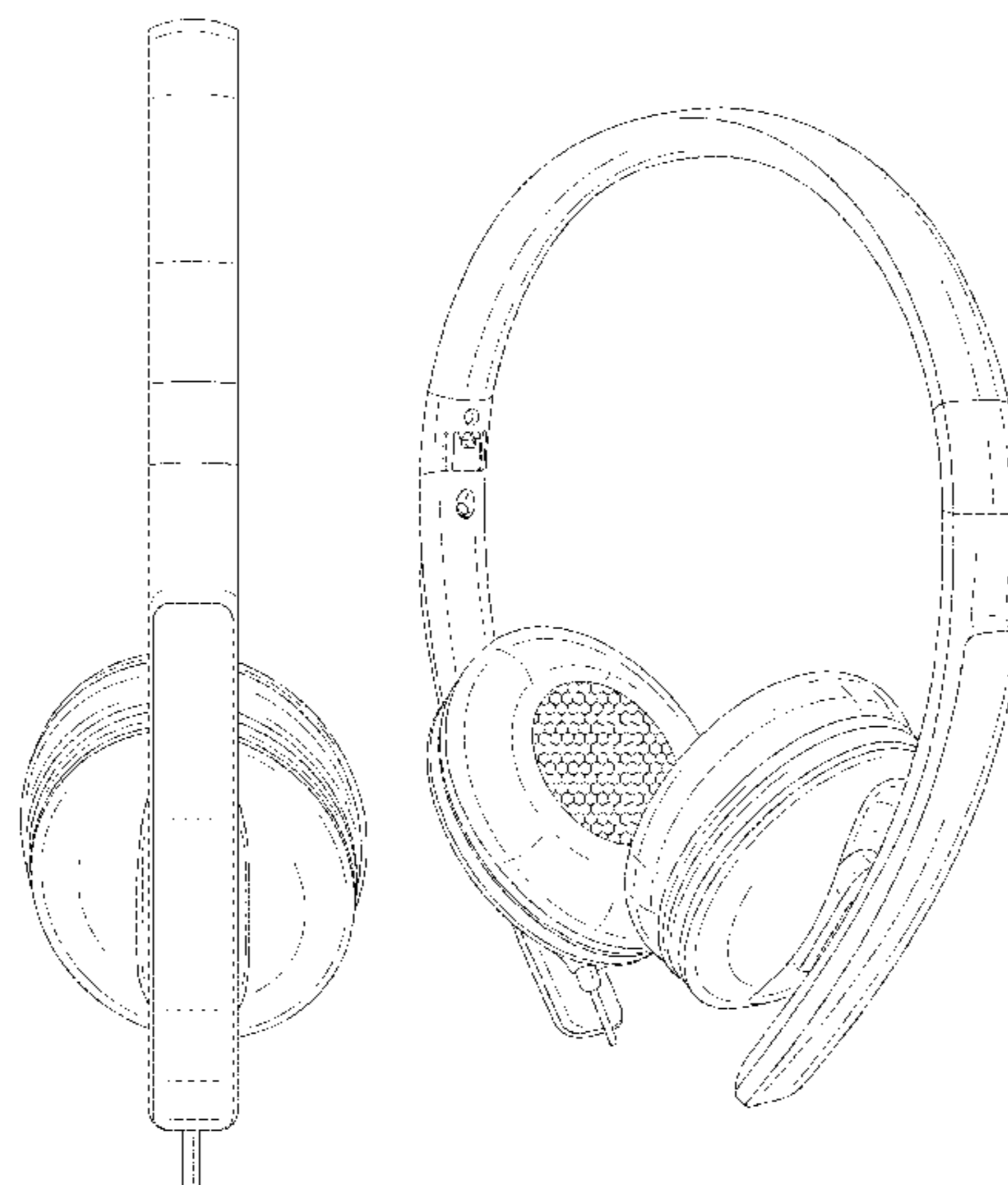
(57) **CLAIM**

The ornamental design for a pair of headphones, as shown and described.

DESCRIPTION

FIG. 1 is a front view of the pair of headphones in accordance with an embodiment of the invention.
 FIG. 2 is a right side view of the pair of headphones in accordance with the embodiment of the invention.
 FIG. 3 is a left side view of the pair of headphones in accordance with the embodiment of the invention.
 FIG. 4 is a top side view of the pair of headphones in accordance with the embodiment of the invention.
 FIG. 5 is a bottom side view of the pair of headphones in accordance with the embodiment of the invention.
 FIG. 6 is a rear view of the pair of headphones in accordance with the embodiment of the invention; and,
 FIG. 7 is a perspective view of the pair of headphones in accordance with the embodiment of the invention.

1 Claim, 7 Drawing Sheets



(56)

References Cited

U.S. PATENT DOCUMENTS

4,546,215 A 10/1985 Ferraro
 4,597,469 A 7/1986 Nagashima
 D291,690 S 9/1987 Tabachnik
 D292,205 S * 10/1987 Kikutani 381/378
 D300,133 S * 3/1989 Daidoh D14/205
 5,033,094 A 7/1991 Hung
 D346,802 S 5/1994 Sacherman et al.
 5,369,857 A * 12/1994 Sacherman H04R 5/0335
 29/594
 D381,336 S 7/1997 Bungardt et al.
 5,809,573 A * 9/1998 Bary A61F 7/03
 128/866
 5,887,286 A * 3/1999 Waldron A61F 11/14
 181/129
 6,093,202 A * 7/2000 Dyken A61F 7/02
 607/108
 D463,857 S * 10/2002 Dix D24/106
 D473,539 S * 4/2003 O'Leary D14/205
 7,010,139 B1 3/2006 Smeehuyzen
 D539,267 S 3/2007 Komiyama
 D540,777 S 4/2007 Rausch et al.
 7,245,735 B2 * 7/2007 Han H04R 1/1008
 379/430
 D571,354 S 6/2008 Ng
 D588,100 S 3/2009 Densho et al.
 D616,418 S * 5/2010 Morisawa D14/205
 D633,471 S * 3/2011 Sugiyama D14/205
 D633,895 S * 3/2011 Morimoto D14/205
 D634,732 S 3/2011 Kondo et al.
 D641,003 S * 7/2011 Alden D14/205
 D641,725 S * 7/2011 Chong D14/205
 D663,717 S 7/2012 Hutchieson
 D664,114 S 7/2012 Tsuchiya

D673,929 S 1/2013 Combs et al.
 D686,593 S 7/2013 Larsen
 D695,263 S 12/2013 Mogili
 D697,048 S * 1/2014 Pavitsich D14/205
 D697,495 S 1/2014 Lian
 8,755,555 B2 * 6/2014 Dougherty H04R 1/1066
 381/370
 D712,871 S 9/2014 McNamara
 D713,374 S * 9/2014 Farrage D14/205
 D714,255 S * 9/2014 Sparks D14/205
 D715,251 S * 10/2014 Sparks D14/205
 D715,252 S * 10/2014 Sparks D14/205
 D721,055 S * 1/2015 Sparks D14/206
 D722,041 S * 2/2015 Sparks D14/206
 D724,562 S * 3/2015 Sparks D14/206
 D728,512 S 5/2015 Nakagawa
 D732,001 S 6/2015 Licht et al.
 D746,791 S 1/2016 Yuen
 D754,632 S * 4/2016 Matsumura D14/205
 D757,680 S 5/2016 Kelly et al.
 D784,956 S 4/2017 Homewood
 9,635,451 B2 * 4/2017 Petersen H04R 1/1033
 D796,477 S 9/2017 Minn et al.
 D796,478 S 9/2017 Minn et al.
 D797,075 S 9/2017 Mauro
 D812,037 S * 3/2018 Petersen D14/205
 D813,194 S * 3/2018 Loh D14/205
 D840,969 S * 2/2019 Dryden D14/205
 D840,971 S * 2/2019 Summerson D14/205
 2006/0027245 A1 2/2006 Spector
 2006/0104471 A1 5/2006 Tsunoda et al.
 2009/0205110 A1 * 8/2009 Chiang A61F 11/06
 2/209
 2013/0087404 A1 * 4/2013 Peskar G10K 11/168
 181/129
 2015/0195640 A1 7/2015 Essabar et al.

* cited by examiner



Fig. 1

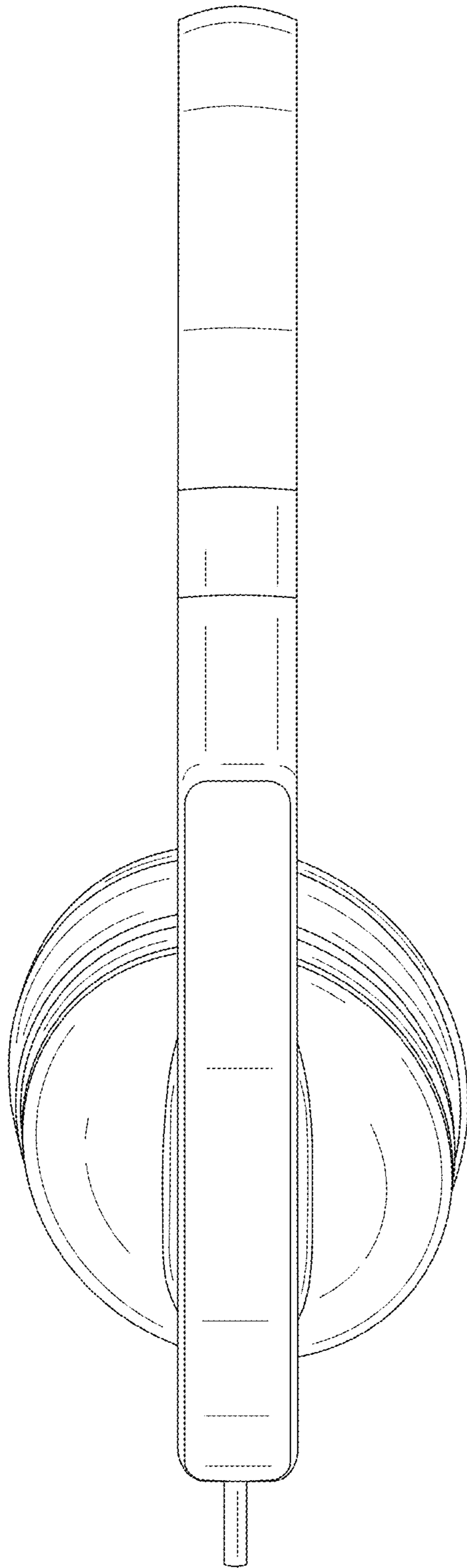


Fig. 2

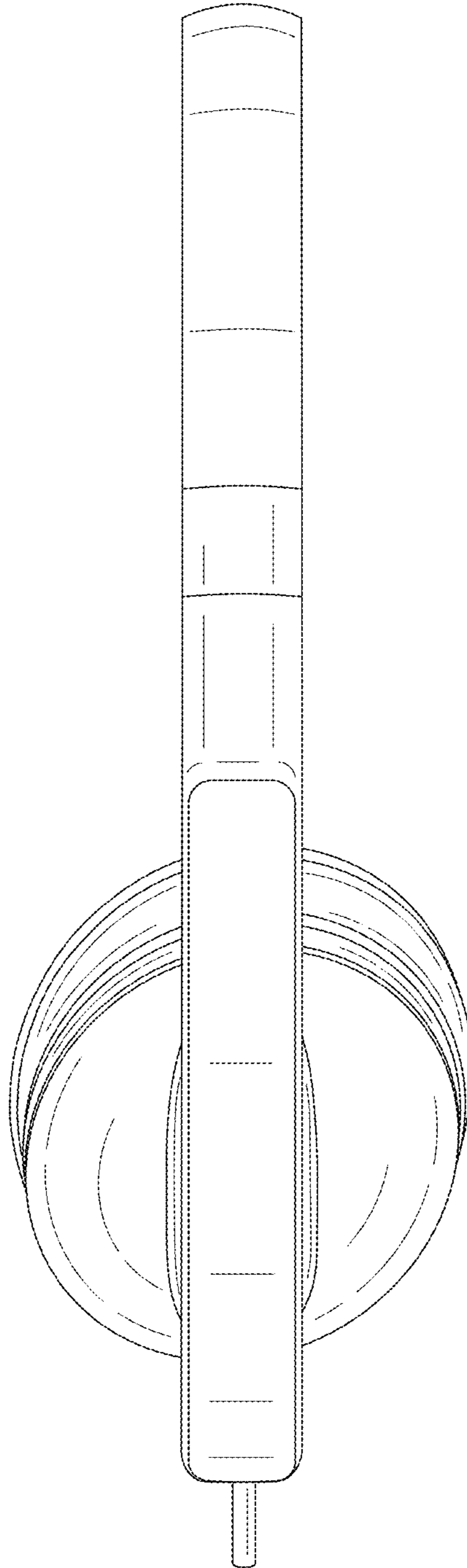


Fig. 3

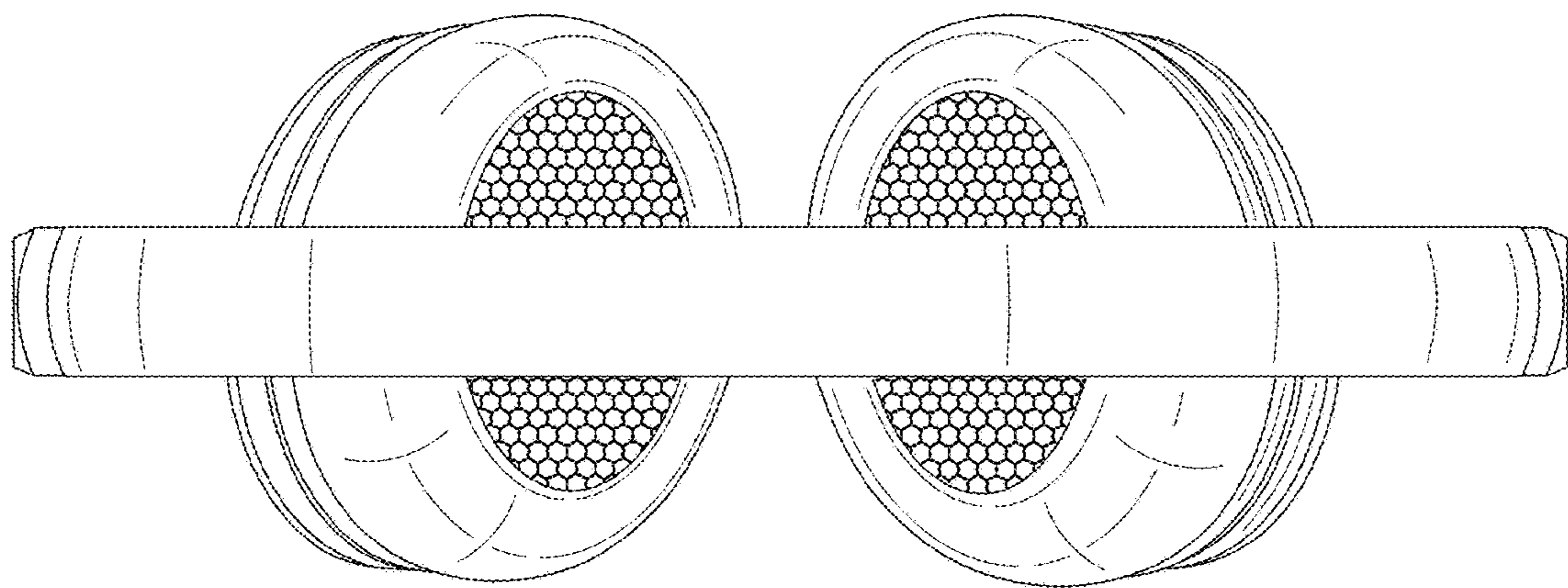


Fig. 4

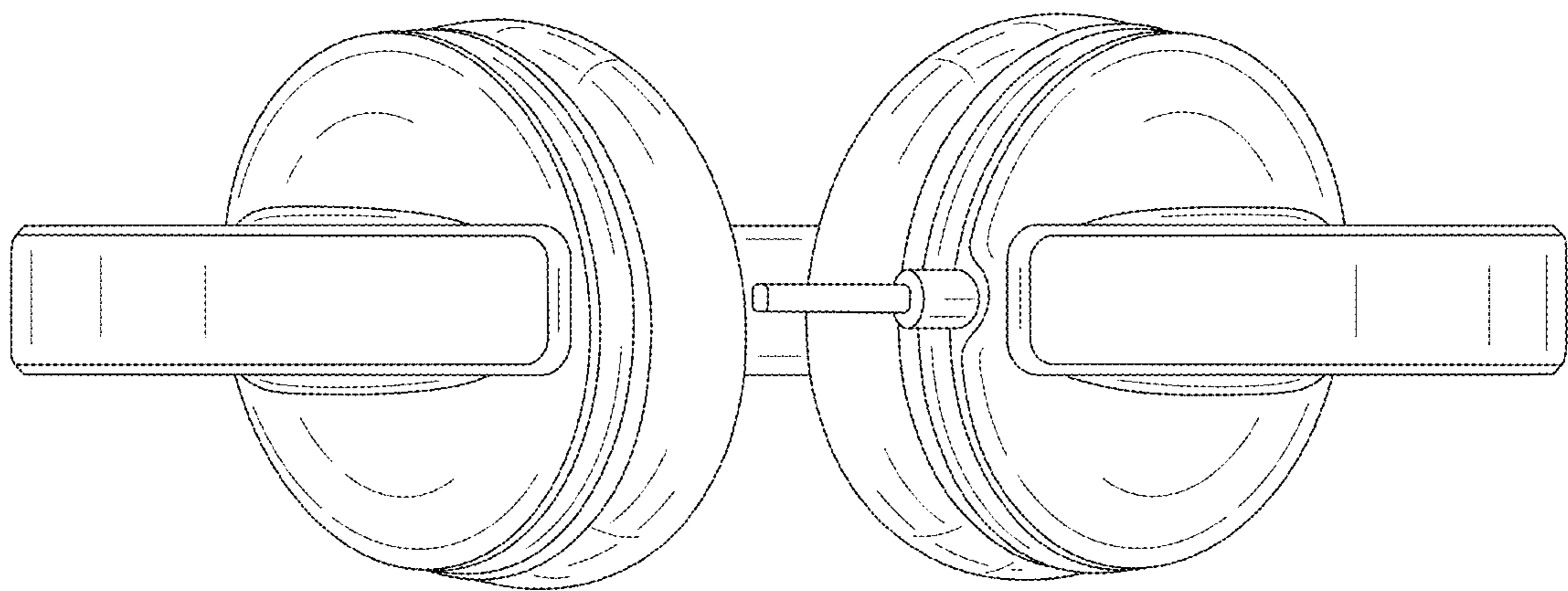


Fig. 5



Fig. 6

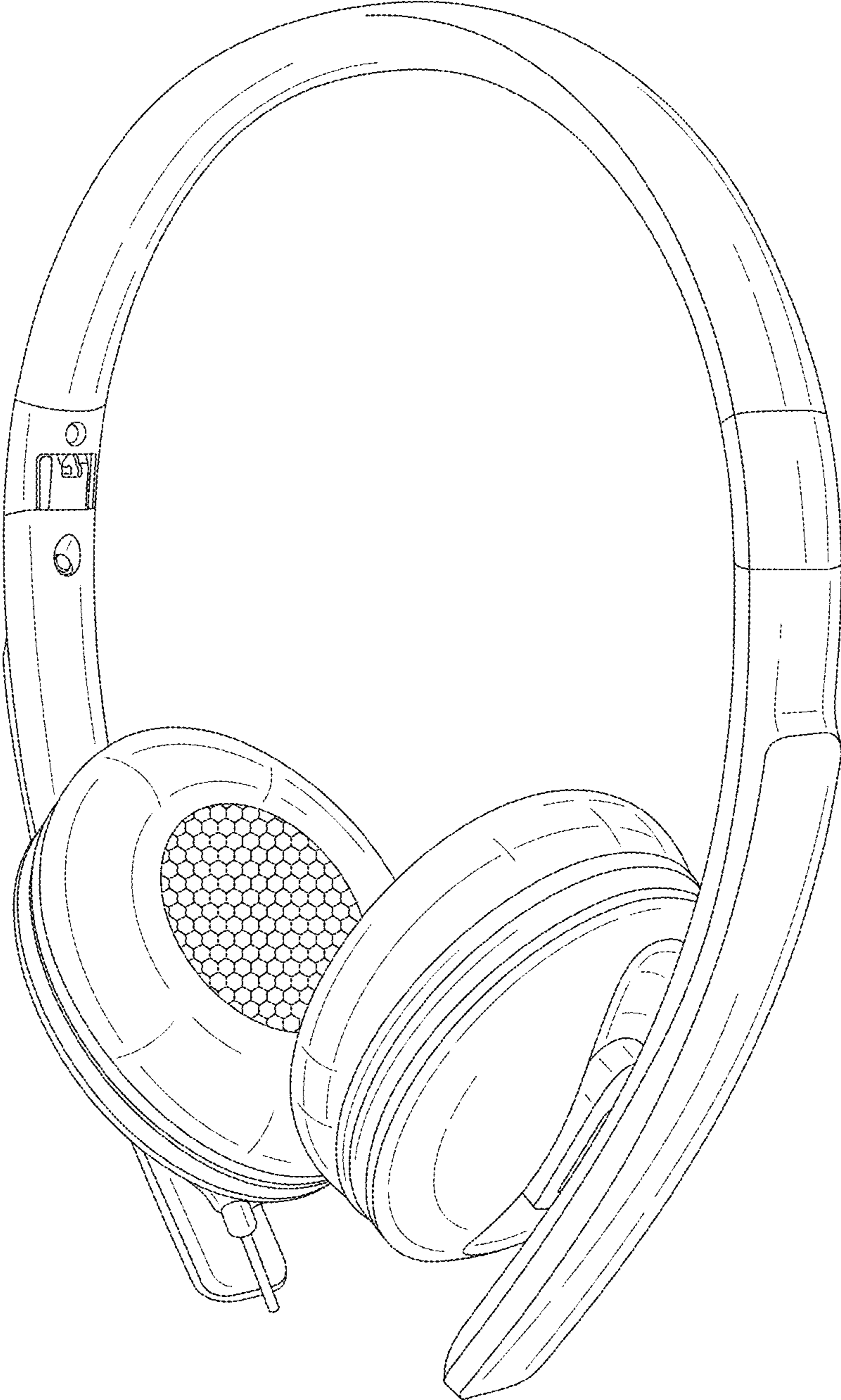


Fig. 7