



US00D855024S

(12) **United States Design Patent** (10) **Patent No.:** **US D855,024 S**
Yoshida et al. (45) **Date of Patent:** **** Jul. 30, 2019**

(54) **ROTOR FOR ROTARY ELECTRICAL MACHINE**

CPC H02K 1/28; H02K 1/2706; H02K 3/12; H02K 1/24; H02K 3/527; F16C 32/0468
See application file for complete search history.

(71) Applicant: **EBARA CORPORATION**, Tokyo (JP)

(56) **References Cited**

(72) Inventors: **Kazutaka Yoshida**, Tokyo (JP);
Norihiko Noro, Tokyo (JP); **Tadashi Kataoka**, Tokyo (JP)

U.S. PATENT DOCUMENTS

(73) Assignee: **EBARA CORPORATION**, Tokyo (JP)

(**) Term: **15 Years**

D132,805	S	*	6/1942	De Bothelo	D9/452
D191,975	S	*	12/1961	Lehman	D23/213
3,403,274	A	*	9/1968	Robison	H02K 5/1672 310/90
D221,353	S	*	8/1971	Hauser	D15/148
3,694,906	A		10/1972	Rank et al.		
D256,351	S		8/1980	Schulze		
D283,819	S	*	5/1986	Brown	D15/148
4,614,888	A		9/1986	Mosher et al.		
5,323,080	A		6/1994	Shahamat et al.		
D353,600	S		12/1994	Glass		

(Continued)

(22) Filed: **Sep. 25, 2017**

FOREIGN PATENT DOCUMENTS

Related U.S. Application Data

(62) Division of application No. 29/524,081, filed on Apr. 16, 2015, now Pat. No. Des. 801,928.

CN	301491745	*	3/2011
CN	301573416	*	6/2011

(Continued)

(30) **Foreign Application Priority Data**

Primary Examiner — Brett Miller

Oct. 17, 2014	(JP)	2014-023329
Oct. 17, 2014	(JP)	2014-023330
Oct. 17, 2014	(JP)	2014-023331
Oct. 17, 2014	(JP)	2014-023332

(74) *Attorney, Agent, or Firm* — Pearne & Gordon LLP

(51) **LOC (11) Cl.** **13-02**

(57) **CLAIM**

(52) **U.S. Cl.**
USPC **D13/122**

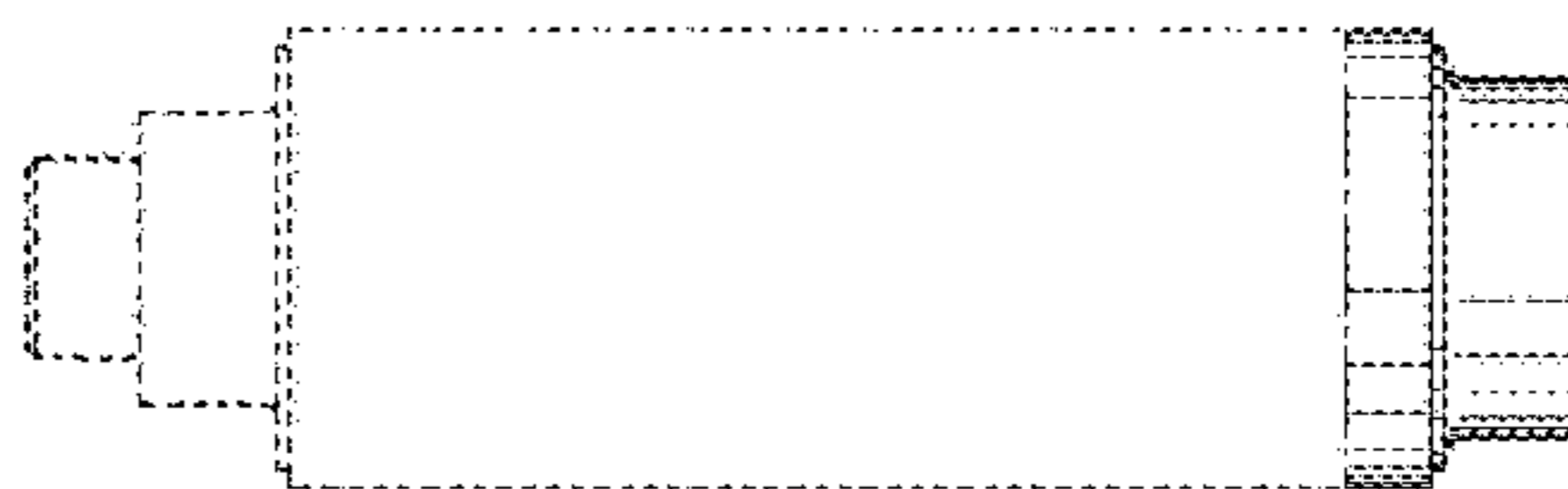
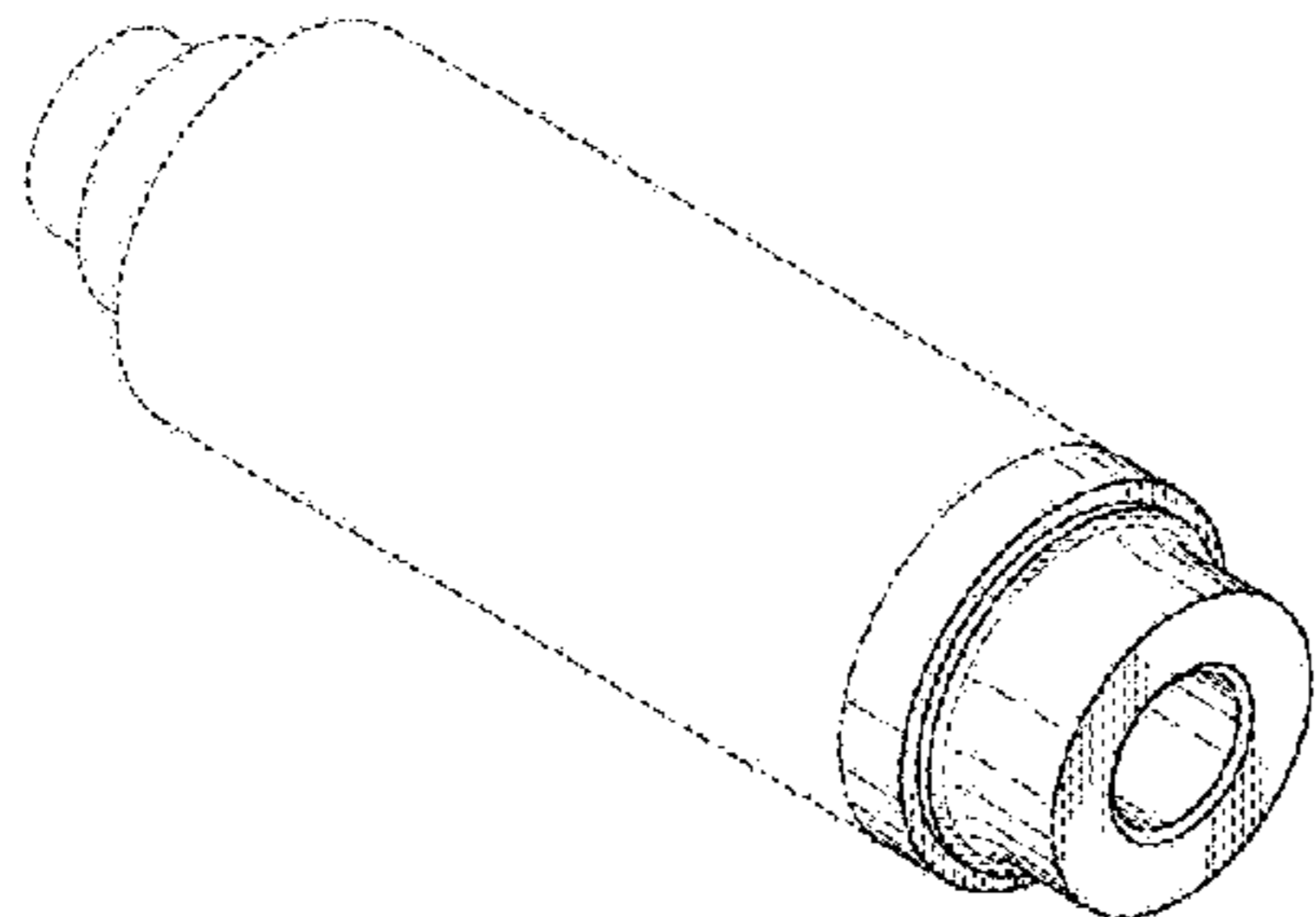
The ornamental design for a rotor for rotary electrical machine, as shown and described.

(58) **Field of Classification Search**
USPC D13/110, 112, 122, 103; D23/255, 213, D23/249, 262, 259, 266; D9/435, 440, D9/447, 449, 450, 452, 454; D7/397, D7/296.2, 510, 511, 392.1; D27/101, D27/170, 162, 163, 164, 167; D15/143, D15/144, 148; D8/397, 343

DESCRIPTION

FIG. 1 is a perspective view of a rotor for rotary electrical machine showing our new design;
FIG. 2 is a front view thereof, a bottom view and a plan view being identical thereto;
FIG. 3 is a rear view thereof;
FIG. 4 is a right side view thereof;
FIG. 5 is a left side view thereof; and,
FIG. 6 is a cross-section view thereof taken along the line 6-6 of FIG. 4.

(Continued)



The broken lines depict unclaimed subject matter and form no part of the claimed design.

1 Claim, 2 Drawing Sheets

(56)

References Cited

U.S. PATENT DOCUMENTS

D441,715 S 5/2001 Sasaki et al.
D447,148 S 8/2001 Antony et al.
6,417,596 B1 * 7/2002 Schurter H02K 1/28
310/418
D479,541 S * 9/2003 Lannoch D15/148
D498,820 S * 11/2004 Fukai D23/249
D532,699 S * 11/2006 Mouquet D9/449
D709,450 S * 7/2014 Tanabe D13/112
D726,110 S 4/2015 Wang et al.

D741,260 S 10/2015 Yabuuchi et al.
D772,478 S * 11/2016 Liu D27/167
D776,055 S 1/2017 Wallace et al.
D801,928 S * 11/2017 Yoshida D13/122
D819,780 S * 6/2018 Naslund D23/213
2005/0184614 A1 8/2005 Lacaze
2006/0022541 A1 2/2006 Ong et al.
2008/0315691 A1 12/2008 Jeung
2010/0225194 A1 9/2010 Bahadir
2012/0049662 A1 3/2012 Ions
2012/0062050 A1 3/2012 Horng et al.
2014/0097721 A1 4/2014 Lang et al.
2015/0357871 A1 12/2015 Kim et al.
2017/0012500 A1 1/2017 Brauer et al.

FOREIGN PATENT DOCUMENTS

JP 2000-134839 A 5/2000
JP D1263216 * 2/2006

* cited by examiner

FIG. 1

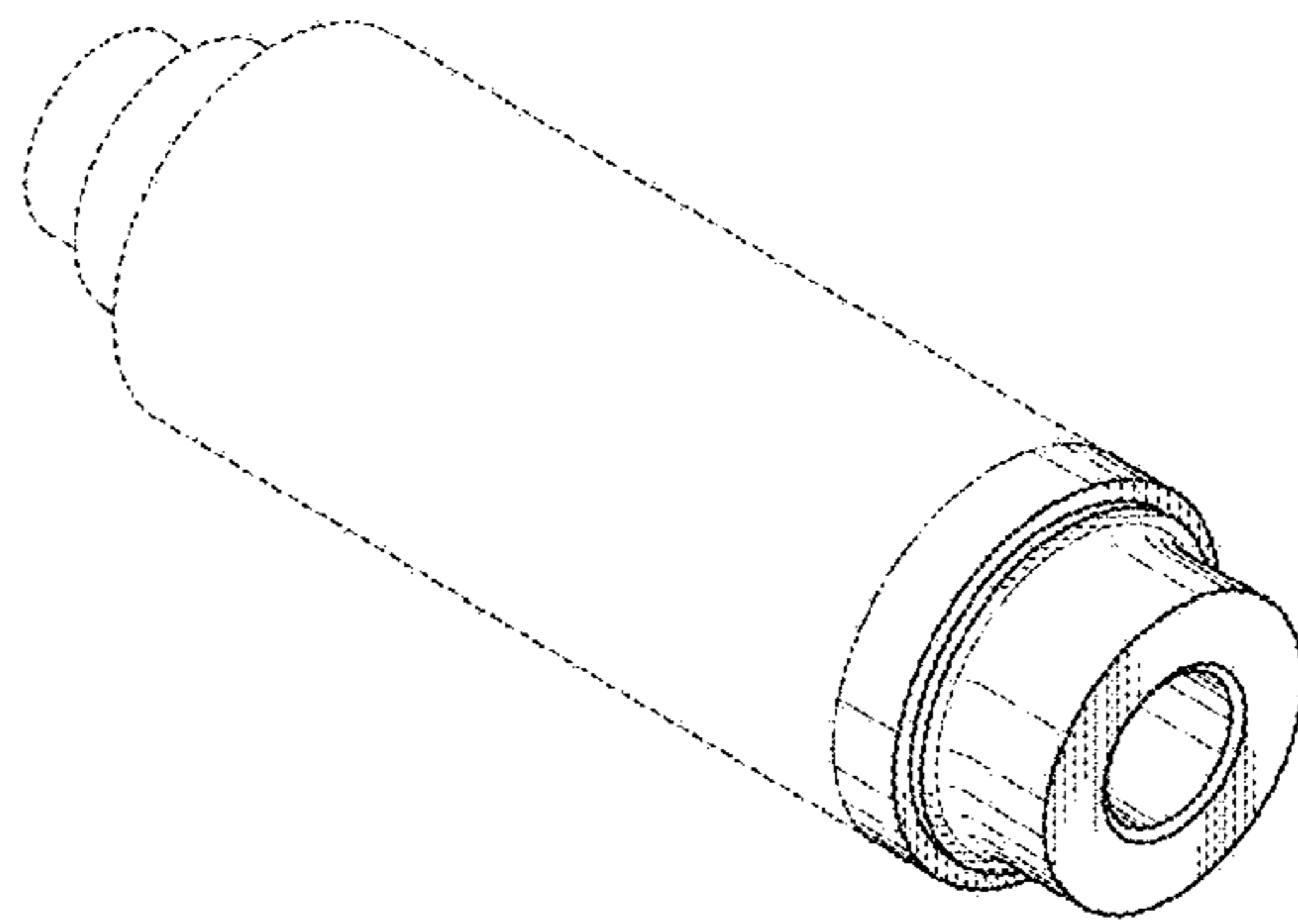


FIG. 2



FIG. 3

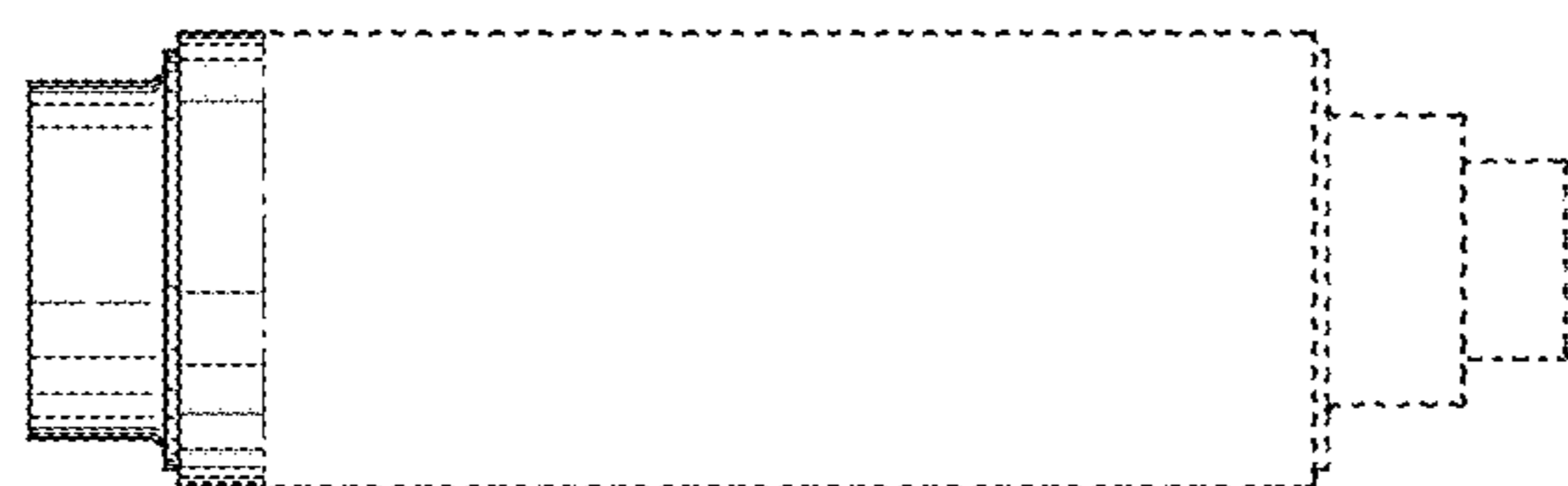


FIG.4

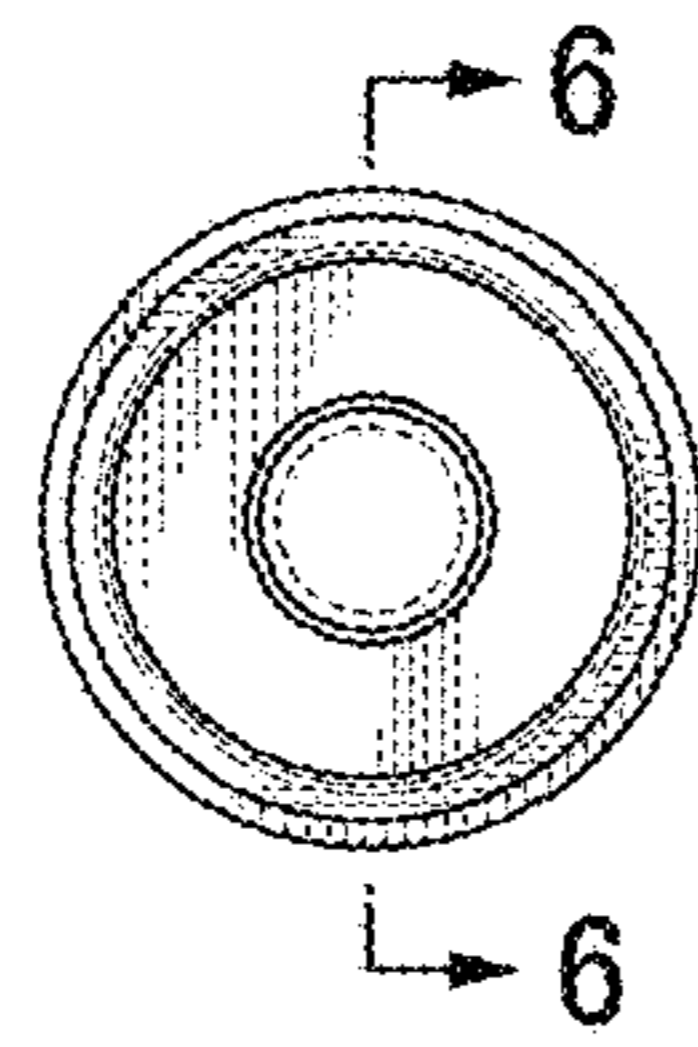


FIG.5

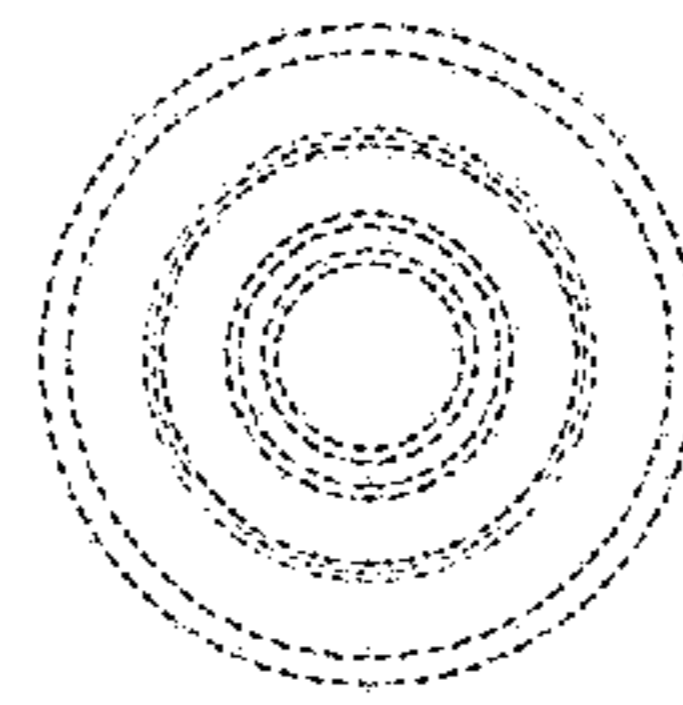


FIG.6

