



US00D855023S

(12) **United States Design Patent** (10) **Patent No.:** **US D855,023 S**  
**Yoshida et al.** (45) **Date of Patent:** **\*\* Jul. 30, 2019**

(54) **ROTOR FOR ROTARY ELECTRICAL MACHINE**

CPC ..... H02K 1/28; H02K 1/2706; H02K 3/12; H02K 1/24; H02K 3/527; F16C 32/0468  
See application file for complete search history.

(71) Applicant: **EBARA CORPORATION**, Tokyo (JP)

(56) **References Cited**

(72) Inventors: **Kazutaka Yoshida**, Tokyo (JP);  
**Norihiko Noro**, Tokyo (JP); **Tadashi Kataoka**, Tokyo (JP)

U.S. PATENT DOCUMENTS

(73) Assignee: **EBARA CORPORATION**, Tokyo (JP)

(\*\*) Term: **15 Years**

D132,805 S \* 6/1942 De Bothelo ..... D9/452  
D191,975 S \* 12/1961 Lehman ..... D23/213  
3,403,274 A \* 9/1968 Robison ..... H02K 5/1672  
310/90  
D221,353 S \* 8/1971 Hauser ..... D15/148  
3,694,906 A 10/1972 Rank et al.  
D256,351 S 8/1980 Schulze  
D283,819 S \* 5/1986 Brown ..... D15/148  
4,614,888 A 9/1986 Mosher et al.  
5,323,080 A 6/1994 Shahamat et al.  
D353,600 S 12/1994 Glass

(21) Appl. No.: **29/618,874**

(22) Filed: **Sep. 25, 2017**

(Continued)

**Related U.S. Application Data**

**FOREIGN PATENT DOCUMENTS**

(62) Division of application No. 29/524,081, filed on Apr. 16, 2015, now Pat. No. Des. 801,928.

JP 2000-134839 A 5/2000  
JP D1190607 \* 11/2003

(Continued)

(30) **Foreign Application Priority Data**

*Primary Examiner* — Brett Miller

(74) *Attorney, Agent, or Firm* — Pearne & Gordon LLP

Oct. 17, 2014 (JP) ..... 2014-023329  
Oct. 17, 2014 (JP) ..... 2014-023330  
Oct. 17, 2014 (JP) ..... 2014-023331  
Oct. 17, 2014 (JP) ..... 2014-023332

(57) **CLAIM**

The ornamental design for a rotor for rotary electrical machine, as shown and described.

(51) **LOC (11) Cl.** ..... **13-02**

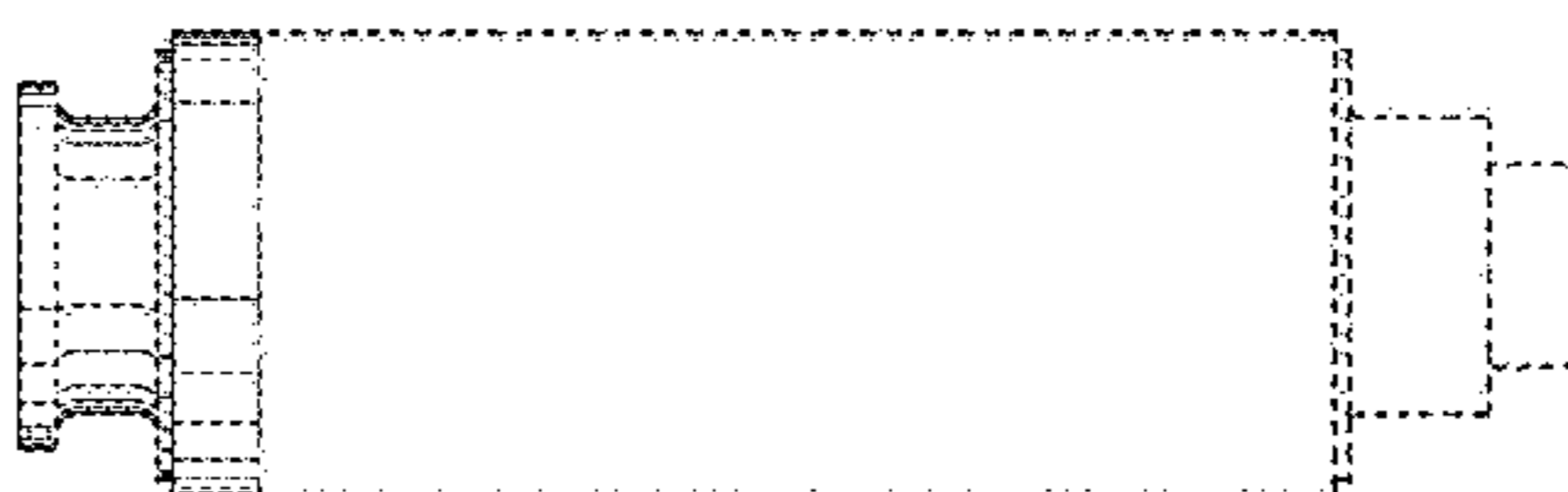
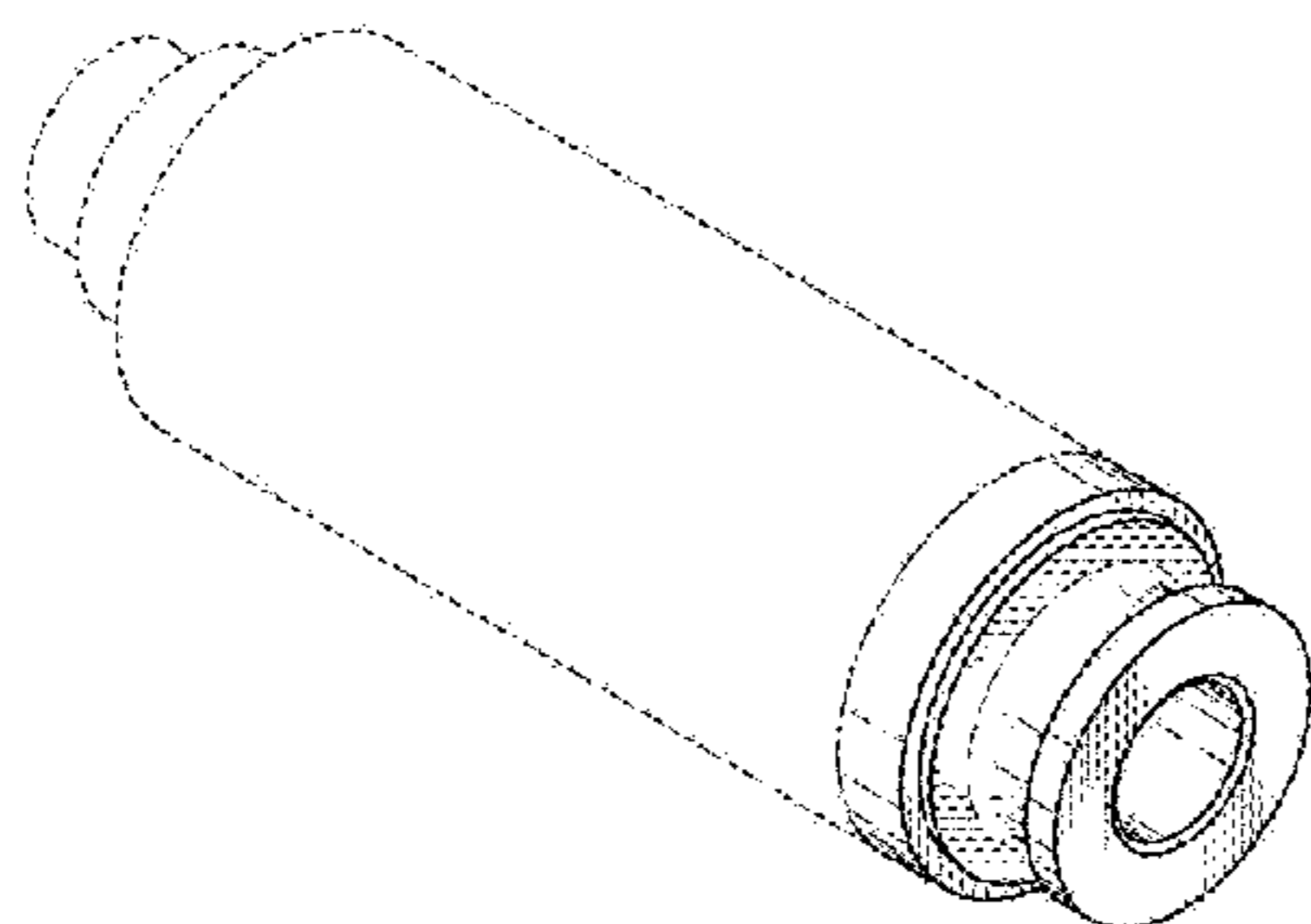
**DESCRIPTION**

(52) **U.S. Cl.**  
USPC ..... **D13/122**

(58) **Field of Classification Search**  
USPC ..... D13/110, 112, 122, 103; D23/255, 213, D23/249, 262, 259, 266; D9/435, 440, D9/447, 449, 450, 452, 454; D7/397, D7/296.2, 510, 511, 392.1; D27/101, D27/170, 162, 163, 164, 167; D15/143, D15/144, 148; D8/397, 343

FIG. 1 is a perspective view of a rotor for rotary electrical machine showing our new design;  
FIG. 2 is a front view thereof, a bottom view and a plan view being identical thereto;  
FIG. 3 is a rear view thereof;  
FIG. 4 is a right side view thereof;  
FIG. 5 is a left side view thereof; and,  
FIG. 6 is a cross-section view thereof taken along the line 6-6 of FIG. 4.

(Continued)



The broken lines depict unclaimed subject matter and form no part of the claimed design.

**1 Claim, 2 Drawing Sheets**

(56)

**References Cited**

U.S. PATENT DOCUMENTS

D441,715 S	5/2001	Sasaki et al.	
D447,148 S	8/2001	Antony et al.	
6,417,596 B1 *	7/2002	Schurter .....	H02K 1/28 310/418
D479,541 S *	9/2003	Lannoch .....	D15/148
D498,820 S *	11/2004	Fukai .....	D23/249
D532,699 S *	11/2006	Mouquet .....	D9/449
D709,450 S *	7/2014	Tanabe .....	D13/112
D726,110 S	4/2015	Wang et al.	

D741,260 S	10/2015	Yabuuchi et al.	
D772,478 S *	11/2016	Liu .....	D27/167
D776,055 S	1/2017	Wallace et al.	
D801,928 S *	11/2017	Yoshida .....	D13/122
D819,780 S *	6/2018	Naslund .....	D23/213
2005/0184614 A1	8/2005	Lacaze	
2006/0022541 A1	2/2006	Ong et al.	
2008/0315691 A1	12/2008	Jeung	
2010/0225194 A1	9/2010	Bahadir	
2012/0049662 A1	3/2012	Ions	
2012/0062050 A1	3/2012	Horng et al.	
2014/0097721 A1	4/2014	Lang et al.	
2015/0357871 A1	12/2015	Kim et al.	
2017/0012500 A1	1/2017	Brauer et al.	

FOREIGN PATENT DOCUMENTS

JP	D1254064	* 10/2005
JP	D1592509	* 12/2017

\* cited by examiner

FIG.1

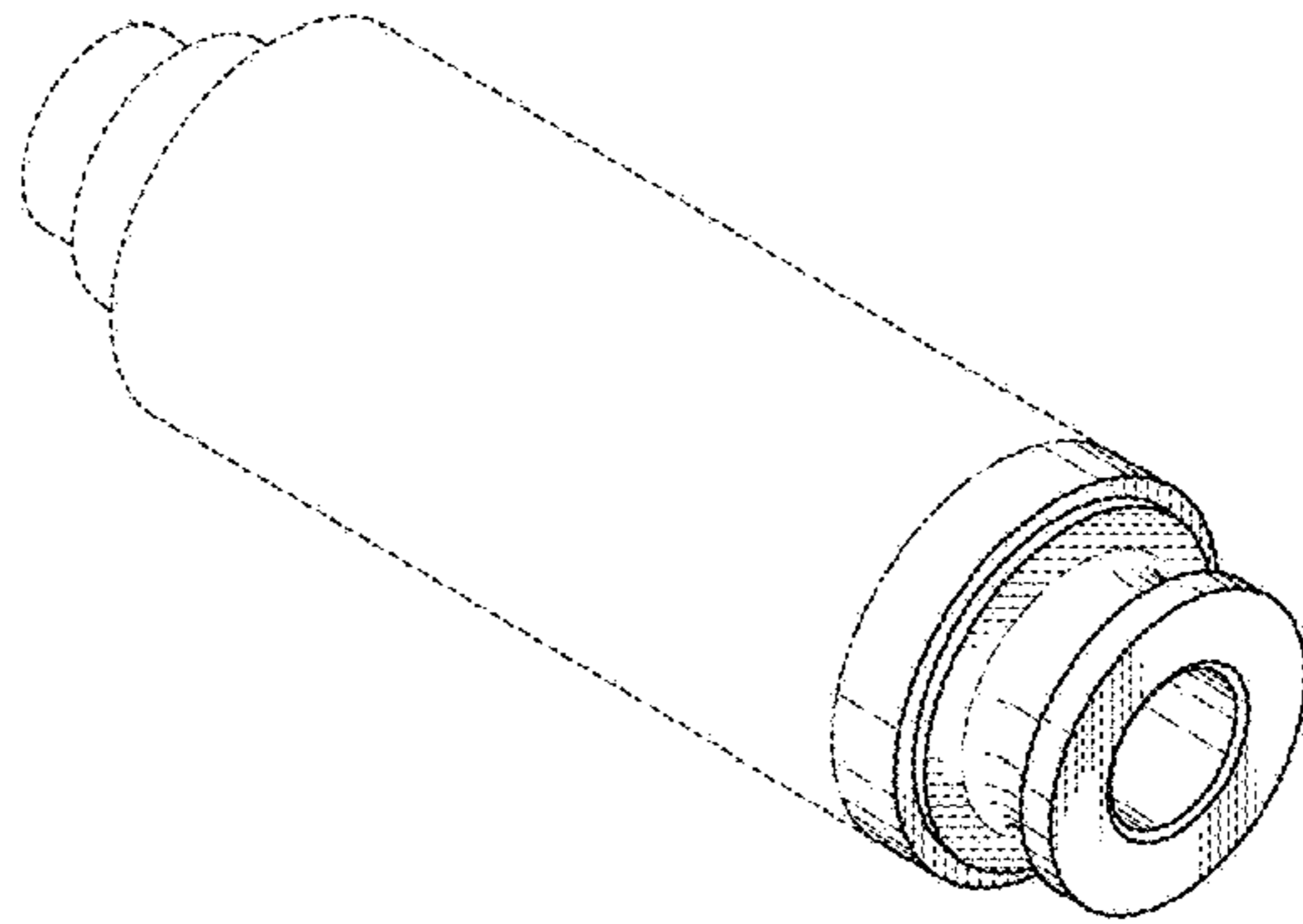


FIG.2



FIG.3

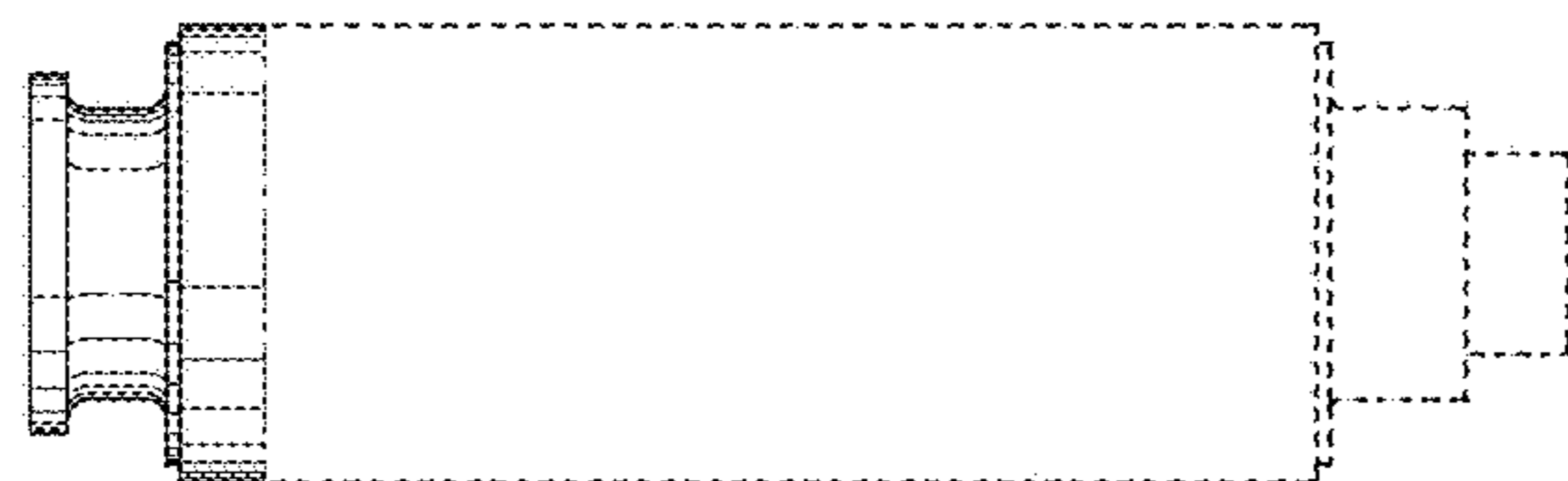


FIG.4

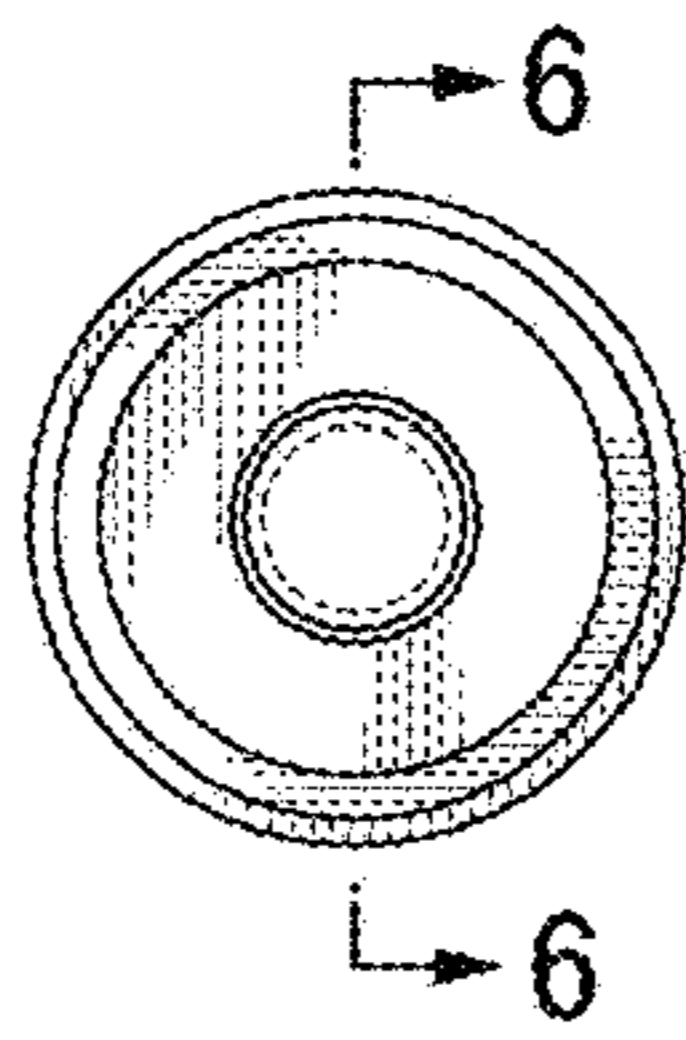


FIG.5

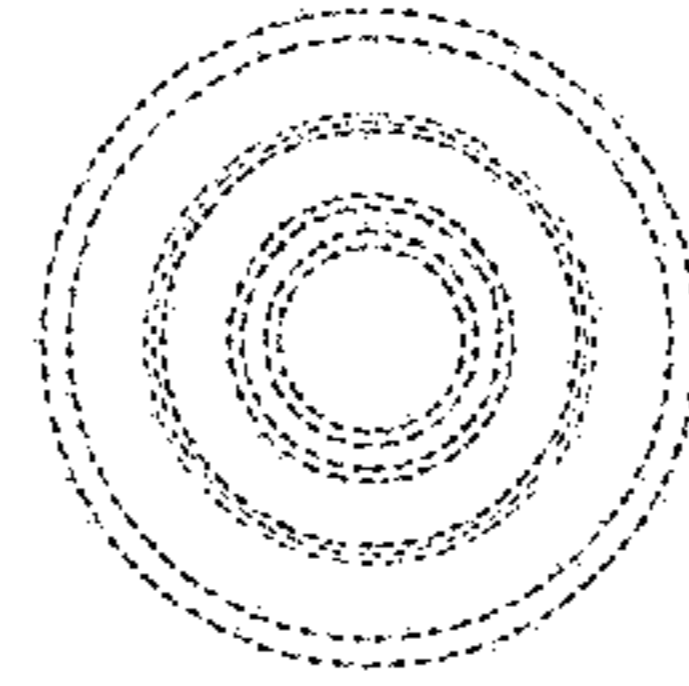


FIG.6

