



US00D855021S

(12) **United States Design Patent** (10) **Patent No.:** **US D855,021 S**  
**Ye** (45) **Date of Patent:** **\*\* Jul. 30, 2019**

(54) **CURRENT TRANSDUCER**  
(71) Applicant: **LEM INTELLECTUAL PROPERTY SA, Fribourg (CH)**  
(72) Inventor: **Nanshan Ye, Beijing (CN)**  
(\*\*) Term: **15 Years**  
(21) Appl. No.: **35/504,946**

D610,087 S \* 2/2010 Johnson ..... D13/110  
D613,686 S \* 4/2010 Mueller ..... D13/110  
9,804,202 B2 \* 10/2017 Labbe ..... G01R 15/185  
9,817,037 B2 \* 11/2017 Mouchet ..... H01F 38/30  
D815,595 S \* 4/2018 Claeys ..... D13/110  
D829,654 S \* 10/2018 Sid ..... D13/110  
D830,300 S \* 10/2018 Morel ..... D13/110  
D833,391 S \* 11/2018 Claeys ..... D13/110  
10,126,327 B2 \* 11/2018 Morel ..... G01R 1/04  
2015/0070006 A1 \* 3/2015 Turpin ..... G01R 15/207  
324/244

(22) Filed: **Nov. 15, 2017**

\* cited by examiner

(80) **Hague Agreement Data**

*Primary Examiner* — Barbara Fox  
*Assistant Examiner* — Nathaniel D. Buckner

Int. Filing Date: **Nov. 15, 2017**  
Int. Reg. No.: **DM/098592**  
Int. Reg. Date: **Nov. 15, 2017**  
Int. Reg. Pub. Date: **May 18, 2018**

(57) **CLAIM**

(51) **LOC (11) Cl.** ..... **13-02**

The ornamental design for a current transducer, as shown and described.

(52) **U.S. Cl.**

USPC ..... **D13/110**

**DESCRIPTION**

(58) **Field of Classification Search**

USPC ..... D13/110, 101, 117, 123, 124, 159, 184, D13/199; D10/75  
CPC .. G01R 15/207; G01R 15/183; G01R 15/185; G01R 19/0092; G01R 1/04; G01R 31/364; H01F 38/30; H01F 41/0213; H01R 12/58; H01R 13/6683; H01R 13/745; H01R 2201/20; H01R 2201/22  
See application file for complete search history.

- 1. Current transducer
- 1.1 : Perspective
- 1.2 : Perspective
- 1.3 : Front
- 1.4 : Back
- 1.5 : Top
- 1.6 : Bottom
- 1.7 : Left
- 1.8 : Right

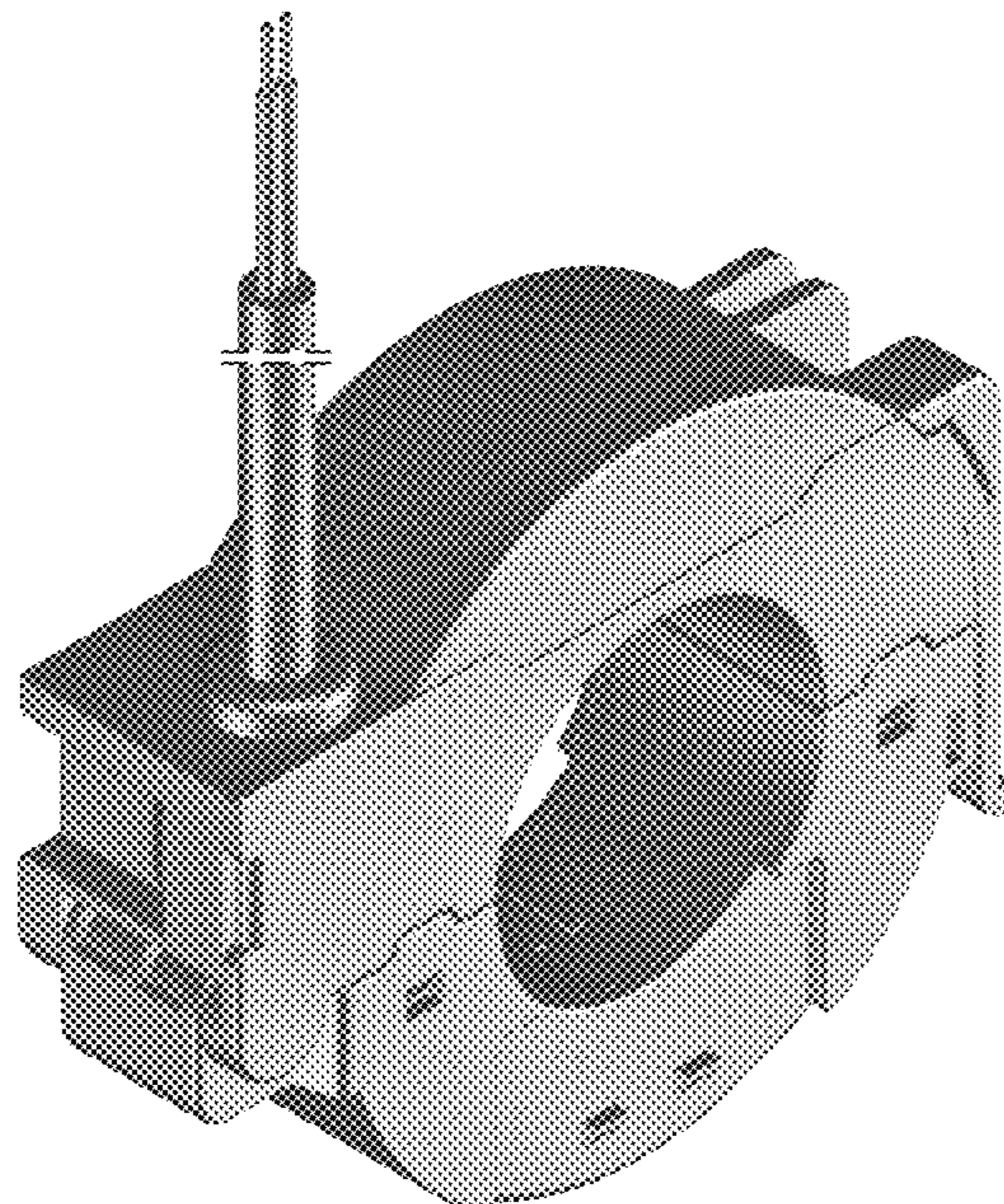
The current transducer is shown with a symbolic break in its length. The appearance of any portion of the article between the break lines forms no part of the claimed design.

(56) **References Cited**

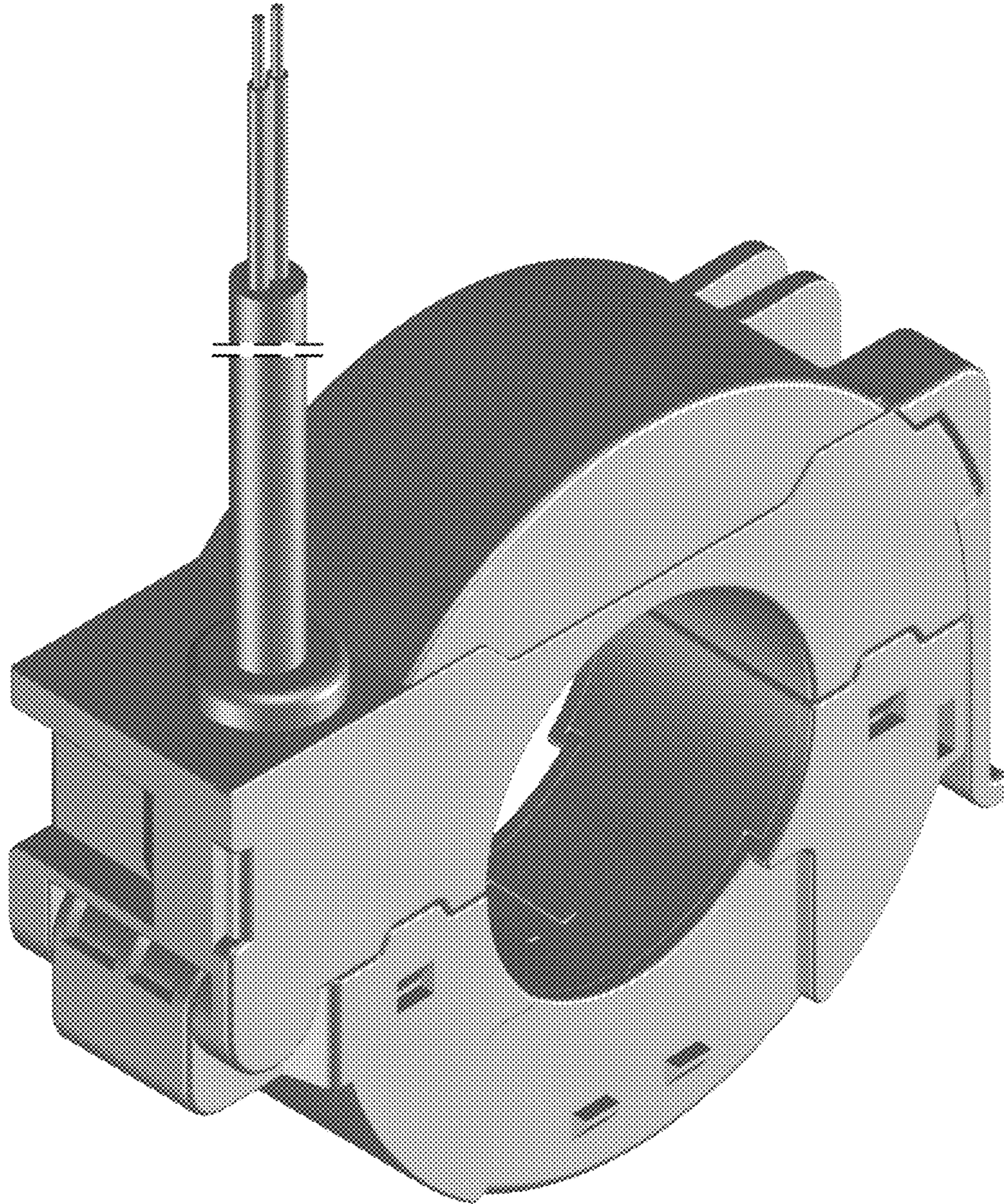
**U.S. PATENT DOCUMENTS**

D219,597 S \* 12/1970 Smith ..... D13/110  
D534,120 S \* 12/2006 Ricci ..... D13/110

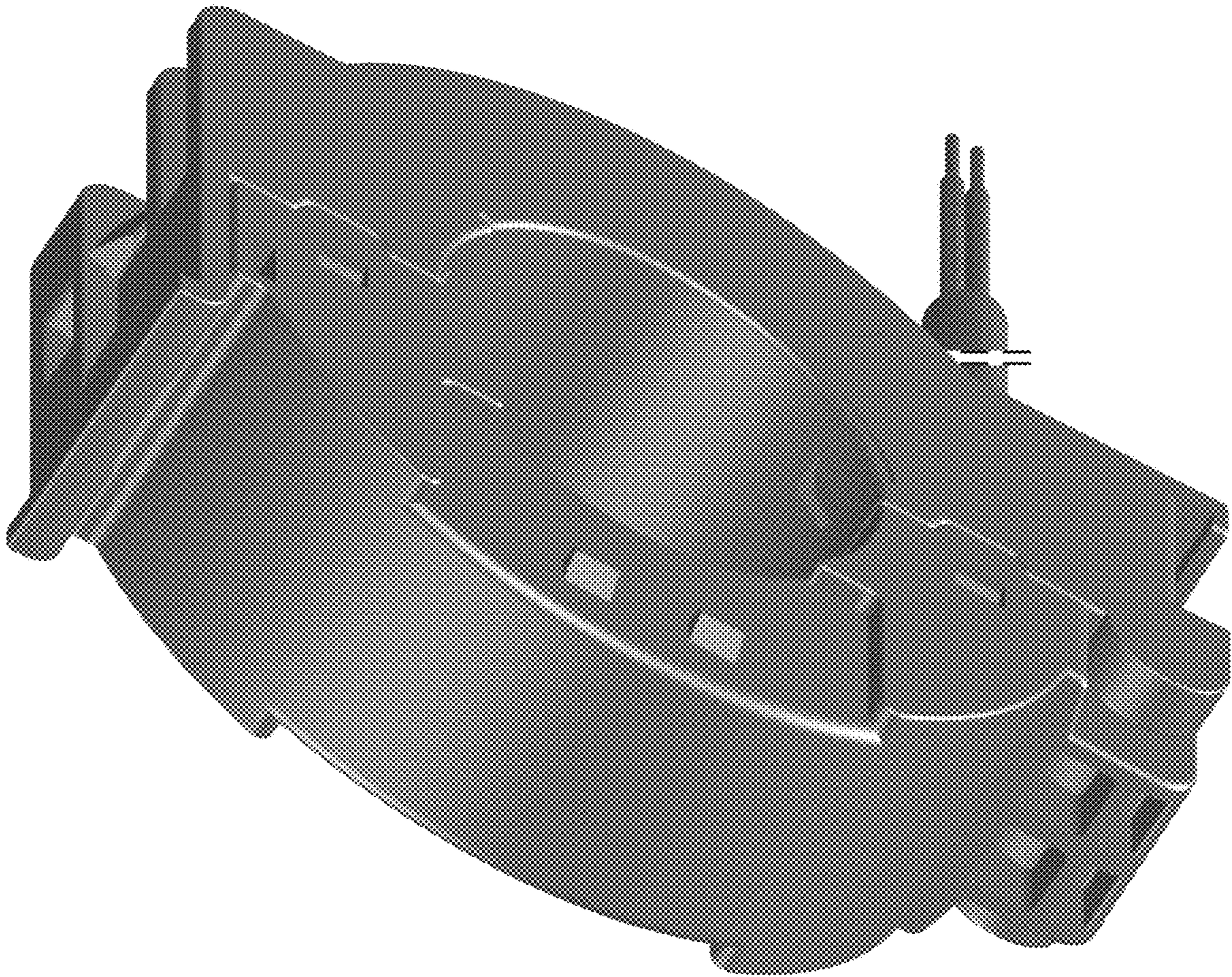
**1 Claim, 8 Drawing Sheets**



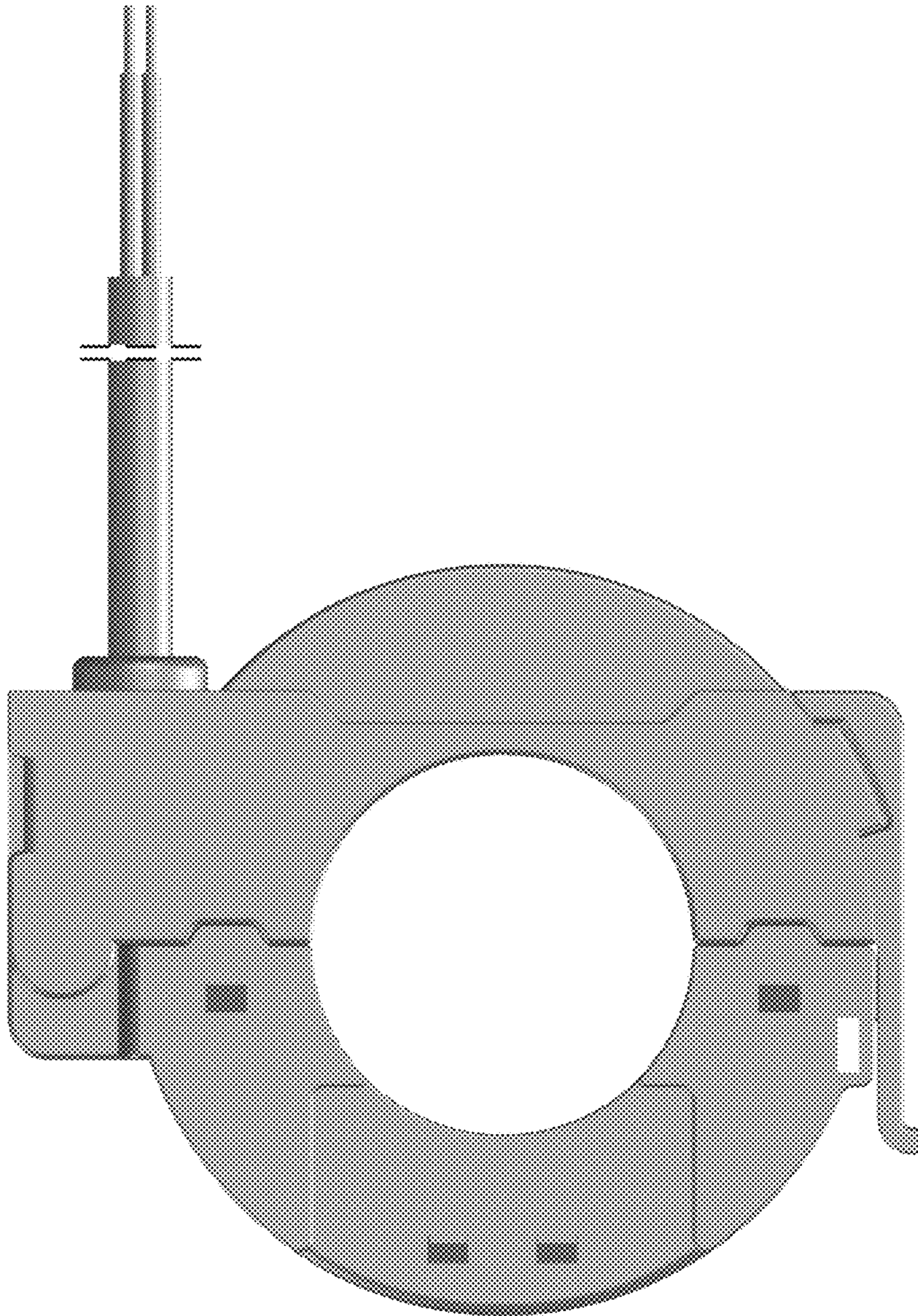
1.1



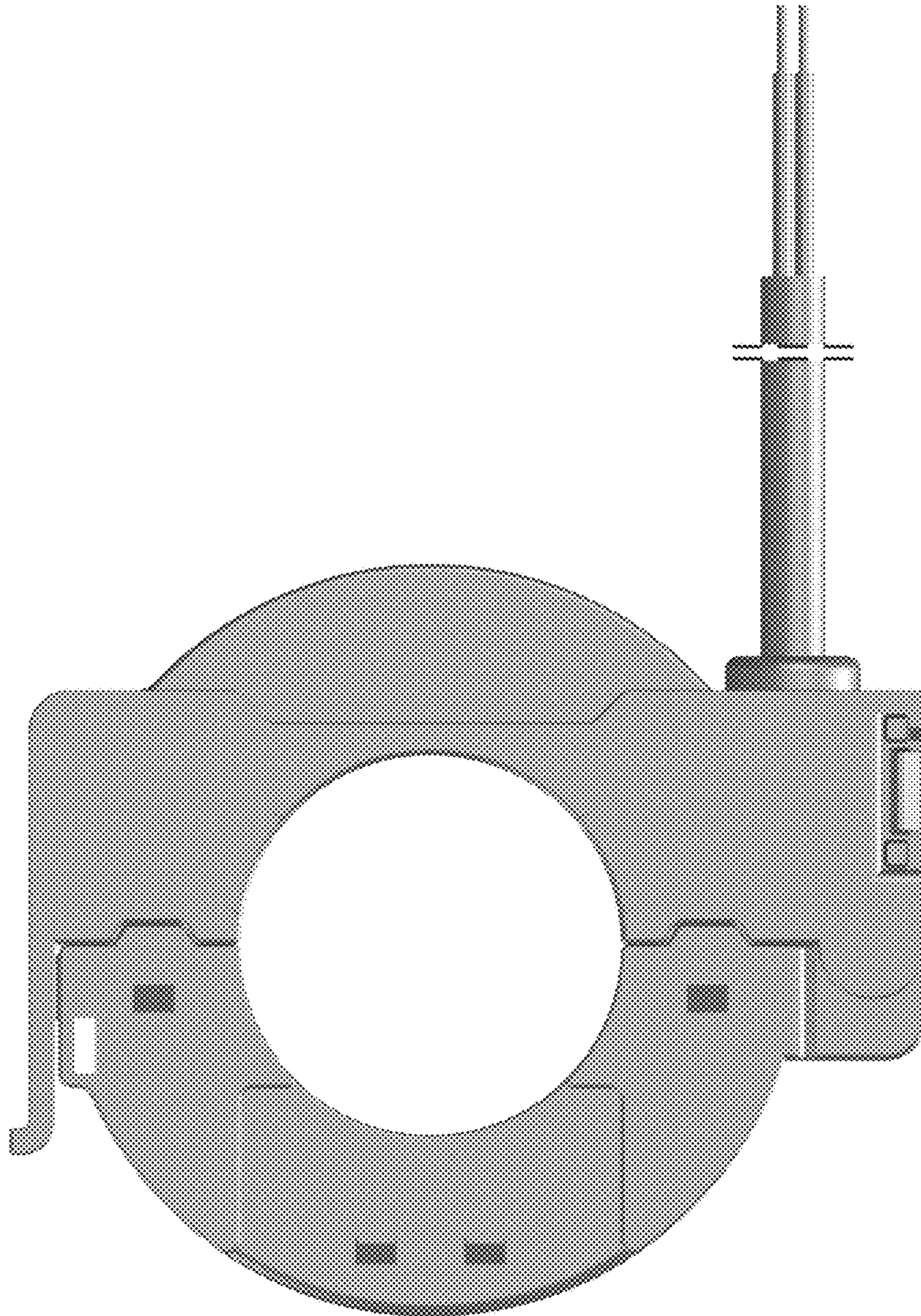
1.2



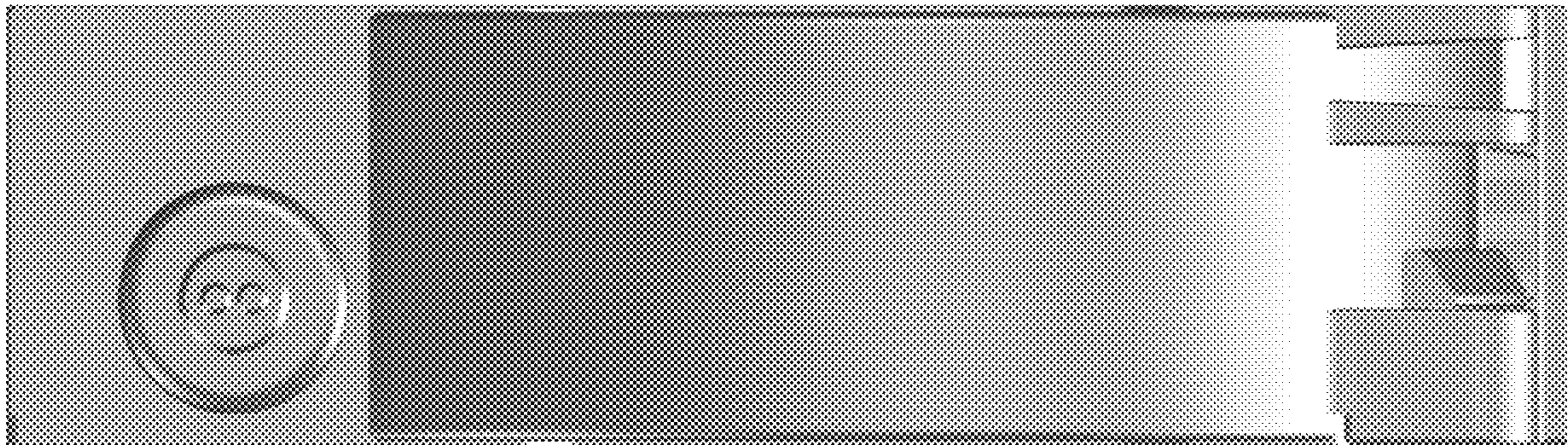
1.3



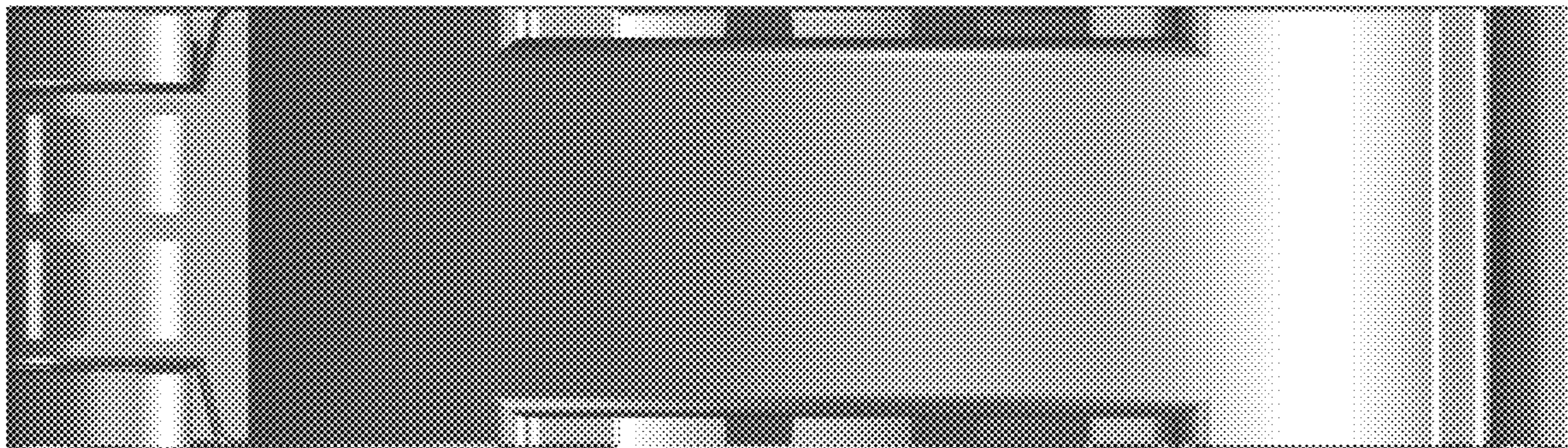
1.4



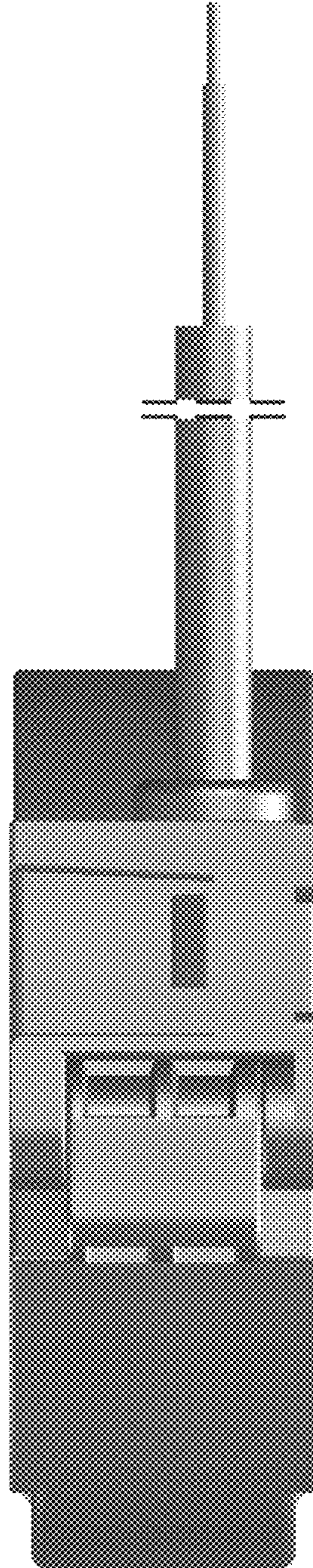
1.5



1.6



1.7





1.8

