



US00D855020S

(12) **United States Design Patent**  
**Zhao**

(10) **Patent No.:** **US D855,020 S**

(45) **Date of Patent:** **\*\* Jul. 30, 2019**

(54) **CURRENT TRANSDUCER**

(71) Applicant: **LEM INTELLECTUAL PROPERTY SA, Fribourg (CH)**

(72) Inventor: **Tianyi Zhao, Beijing (CN)**

(\*\*) Term: **15 Years**

(21) Appl. No.: **35/504,892**

(22) Filed: **Nov. 8, 2017**

(80) **Hague Agreement Data**

Int. Filing Date: **Nov. 8, 2017**

Int. Reg. No.: **DM/098402**

Int. Reg. Date: **Nov. 8, 2017**

Int. Reg. Pub. Date: **May 11, 2018**

(51) **LOC (11) Cl.** ..... **13-02**

(52) **U.S. Cl.**  
USPC ..... **D13/110**

(58) **Field of Classification Search**  
USPC ..... D13/110, 101, 117, 123, 124, 159, 184,  
D13/199; D10/75

CPC .. G01R 15/207; G01R 15/183; G01R 15/185;  
G01R 19/0092; G01R 1/04; G01R  
31/364; H01F 38/30; H01F 41/0213;  
H01R 12/58; H01R 13/6683; H01R  
13/745; H01R 2201/20; H01R 2201/22

See application file for complete search history.

(56) **References Cited**

**U.S. PATENT DOCUMENTS**

4,048,606 A \* 9/1977 Miller ..... H01F 27/325  
242/118.4

D260,635 S \* 9/1981 Lockwood ..... D13/110

D511,112 S \* 11/2005 Takada ..... D10/75  
D686,156 S \* 7/2013 Ye ..... D13/110  
8,587,399 B2 \* 11/2013 Crutcher ..... H01F 27/24  
336/173  
D742,842 S \* 11/2015 Hayashi ..... D13/182  
D769,190 S \* 10/2016 Sid ..... D13/110  
D810,020 S \* 2/2018 Hayashizaka ..... D13/117  
D815,595 S \* 4/2018 Claeys ..... D13/110  
D829,654 S \* 10/2018 Sid ..... D13/110  
10,126,327 B2 \* 11/2018 Morel ..... G01R 1/04  
2007/0115085 A1 \* 5/2007 Clemmons ..... H01F 3/14  
336/181

\* cited by examiner

*Primary Examiner* — Barbara Fox

*Assistant Examiner* — Nathaniel D. Buckner

(57) **CLAIM**

The ornamental design for a current transducer, as shown and described.

**DESCRIPTION**

1. Current transducer

1.1 : Perspective

1.2 : Perspective

1.3 : Front

1.4 : Back

1.5 : Top

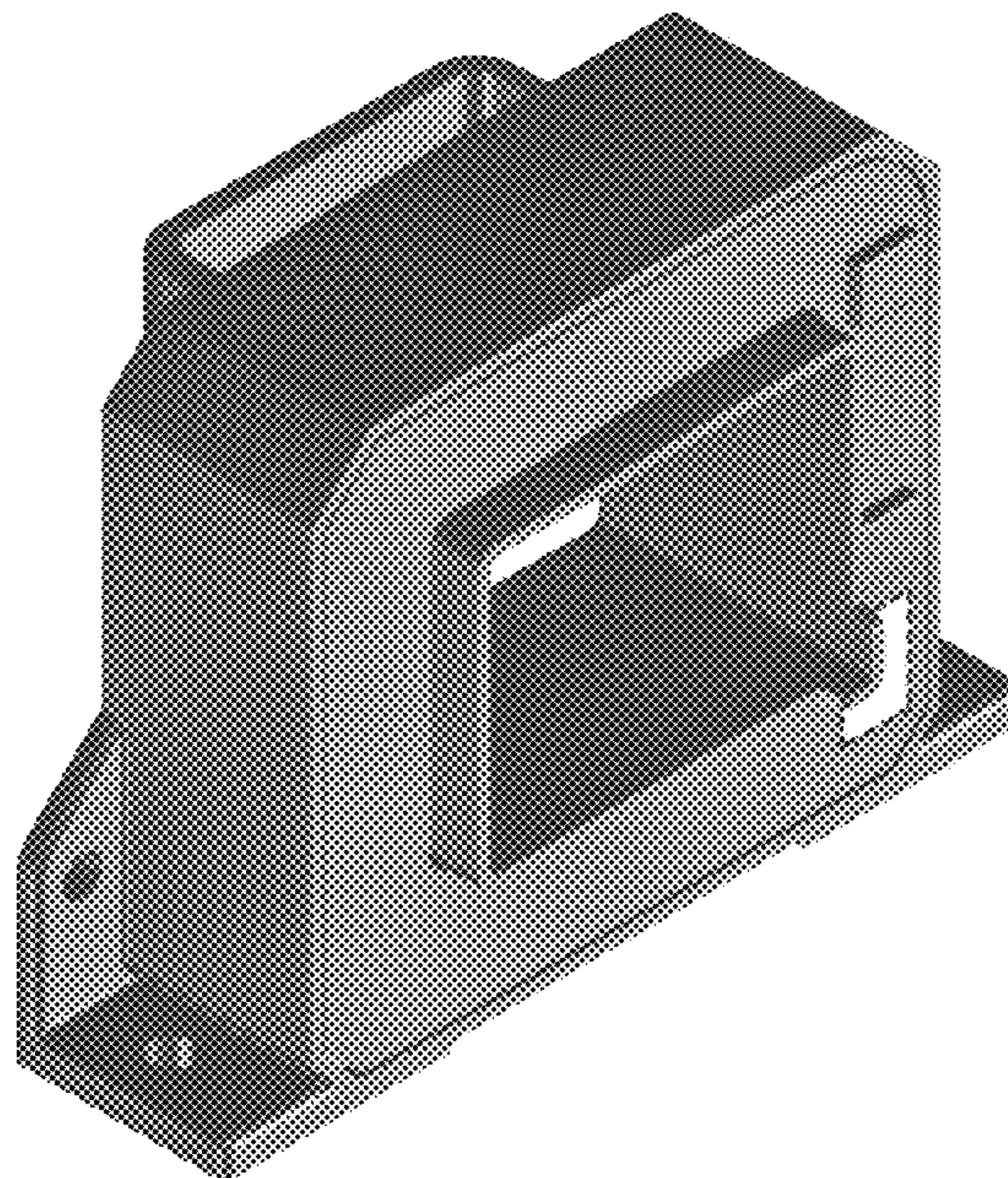
1.6 : Bottom

1.7 : Left

1.8 : Right

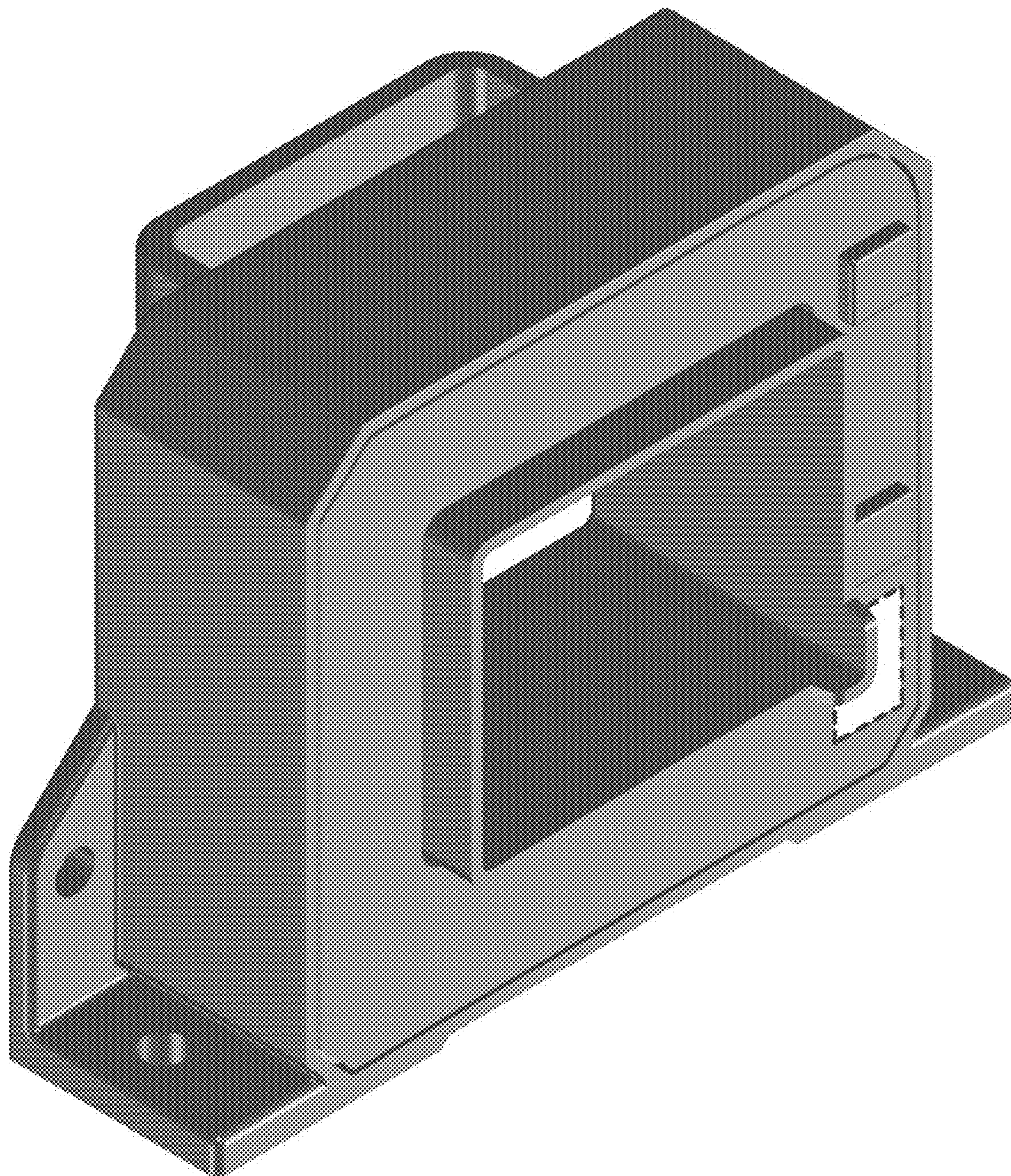
The broken lines in the reproductions depict portions of the current transducer which form no part of the claimed design.

**1 Claim, 8 Drawing Sheets**



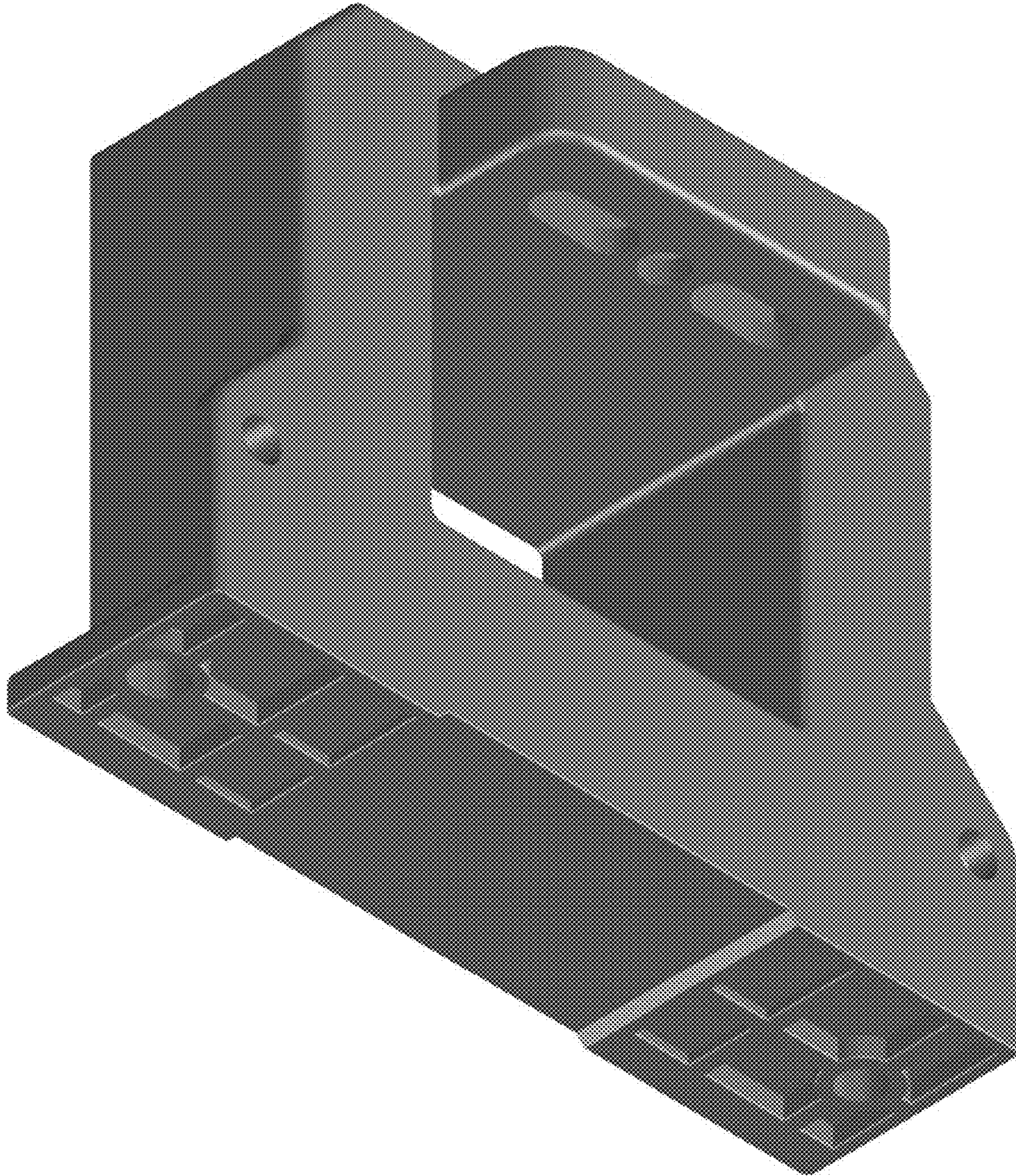


1.1



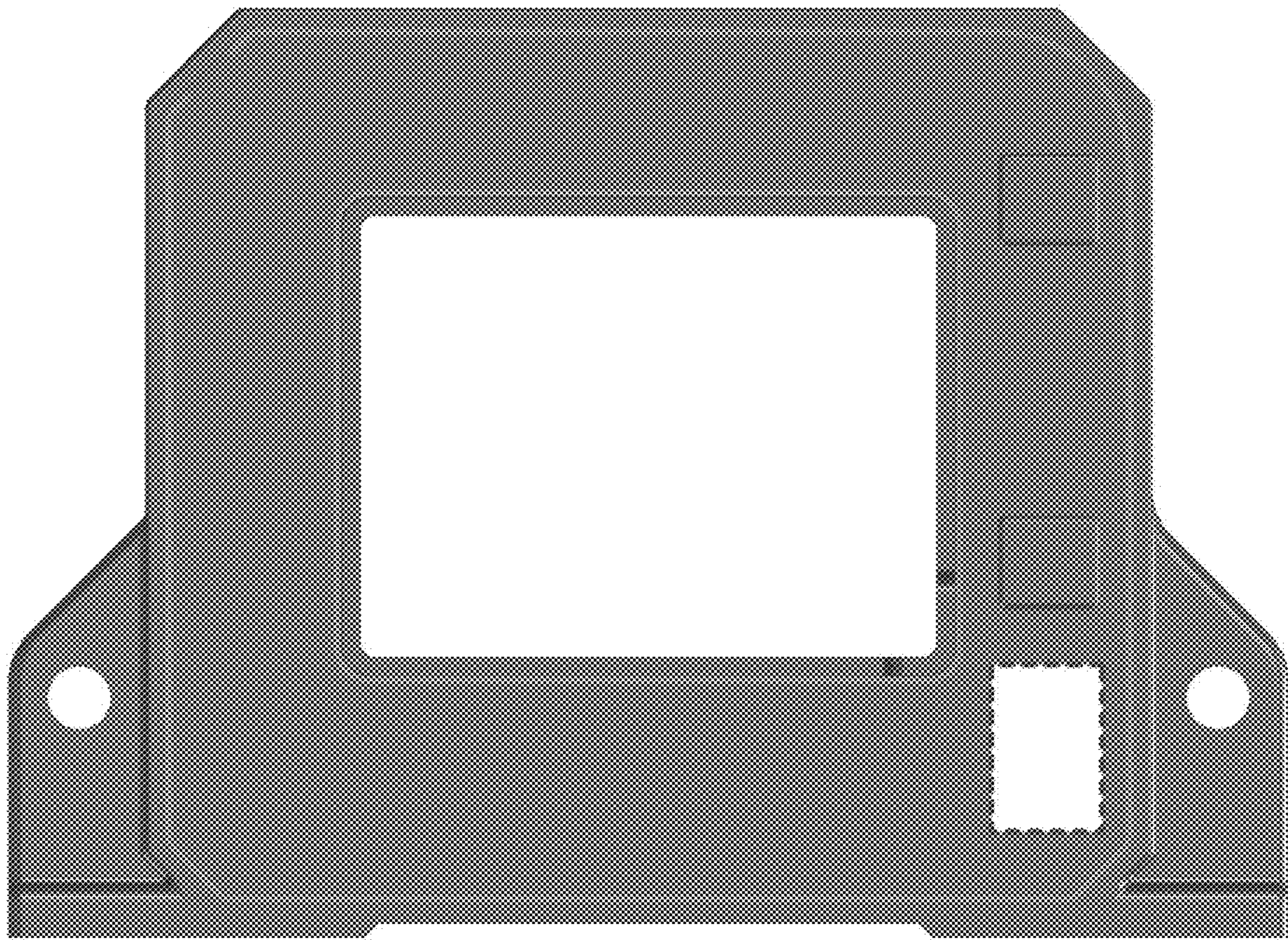


1.2

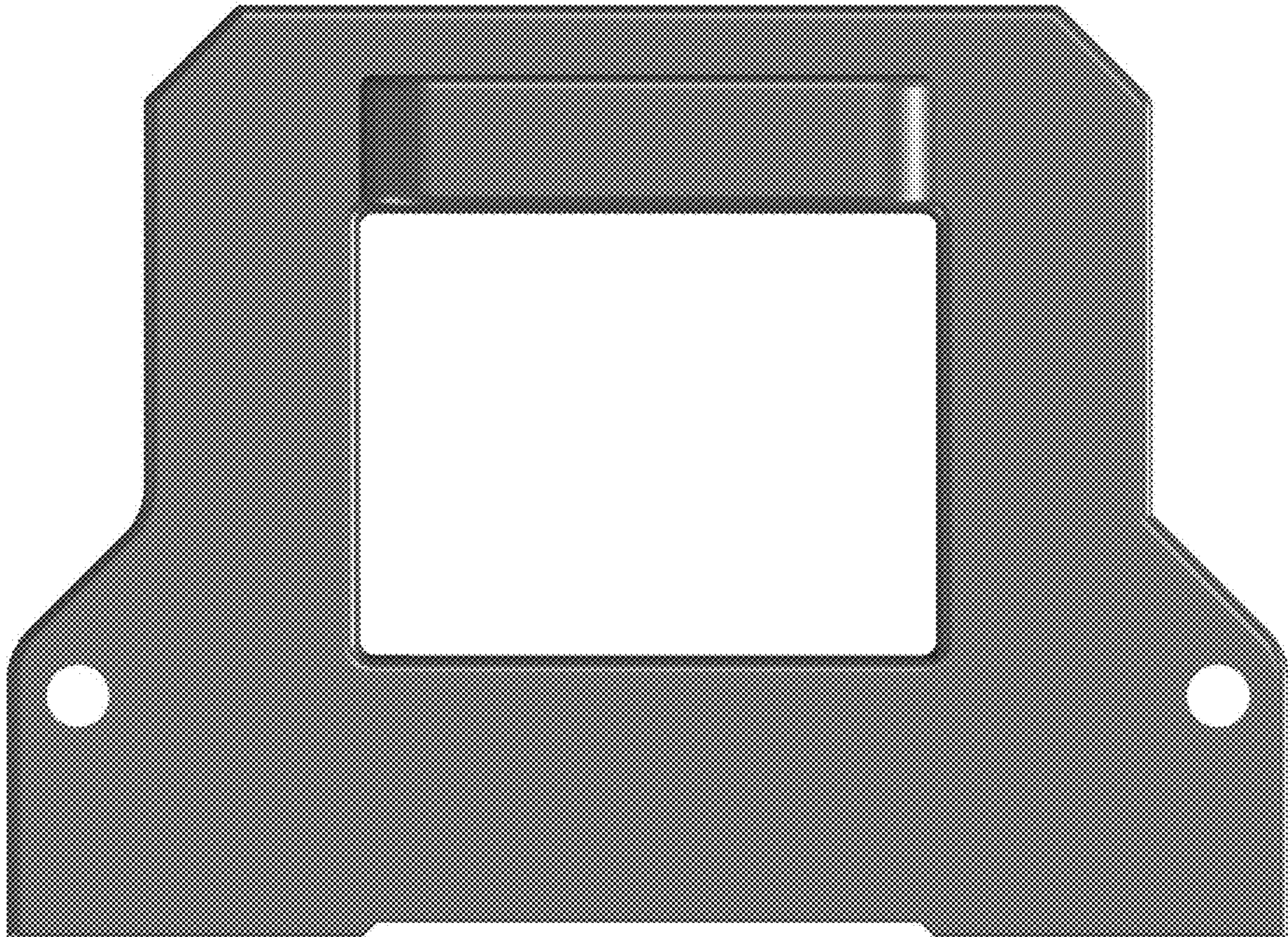




1.3

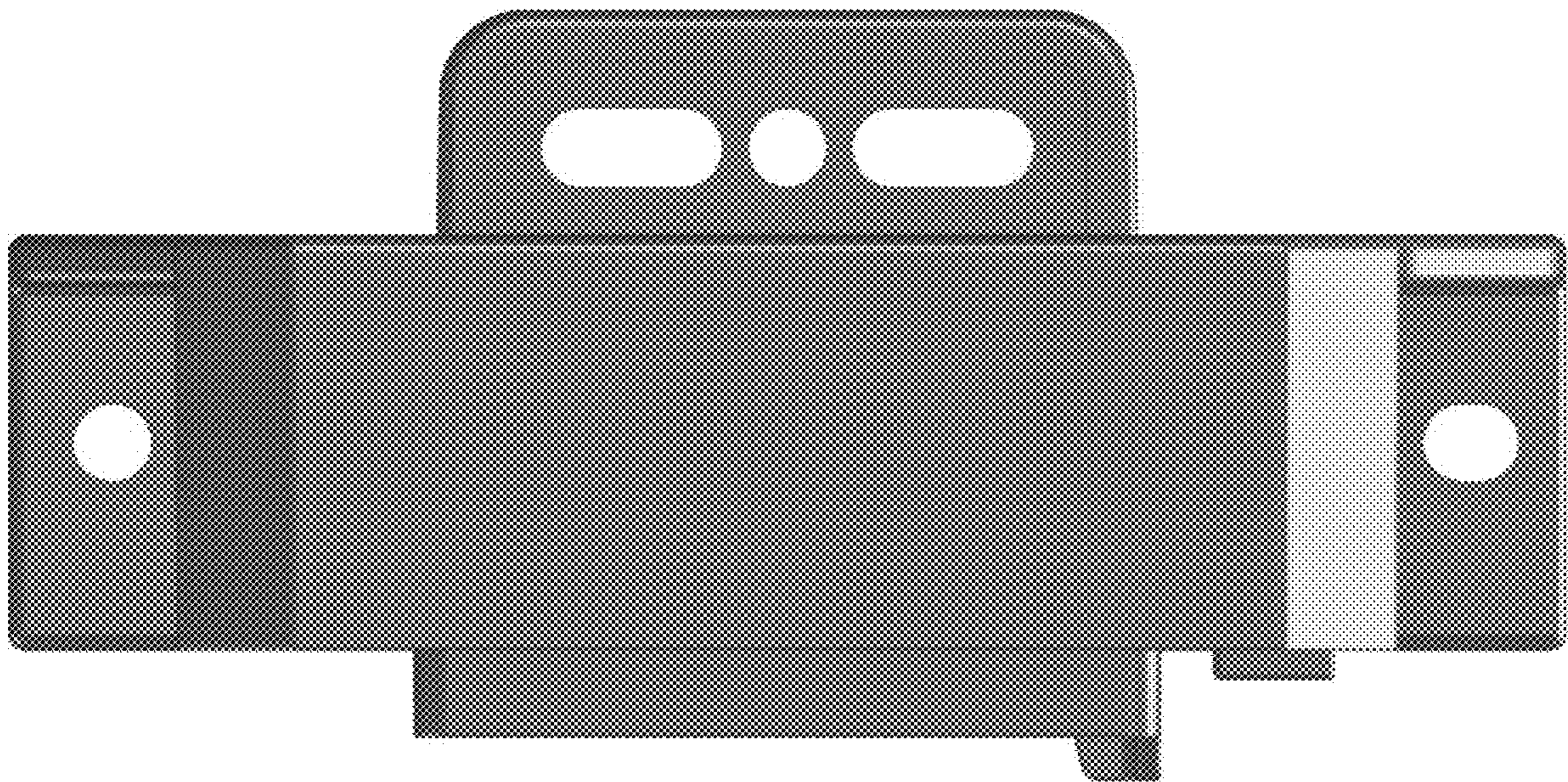


1.4

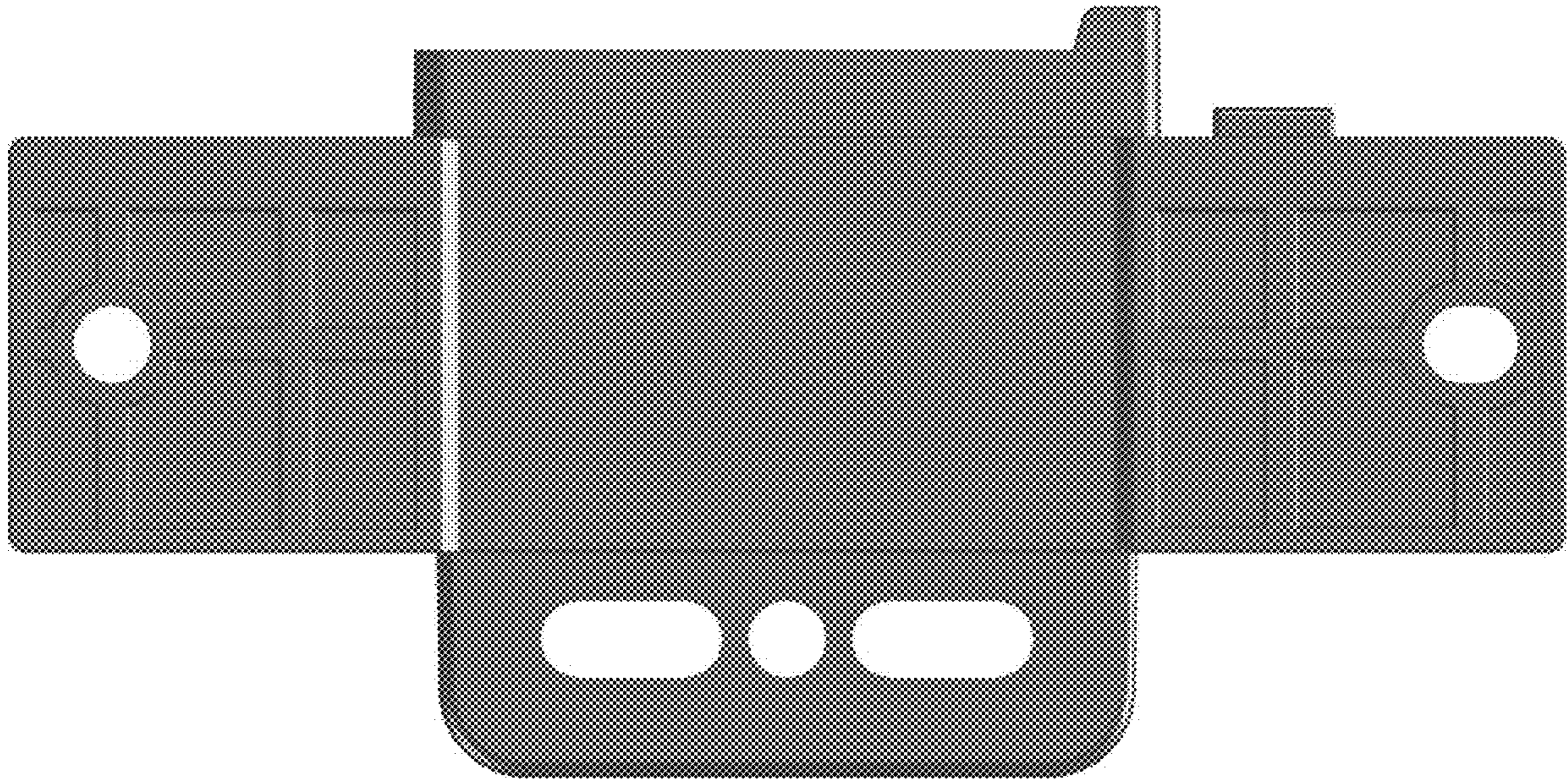




1.5

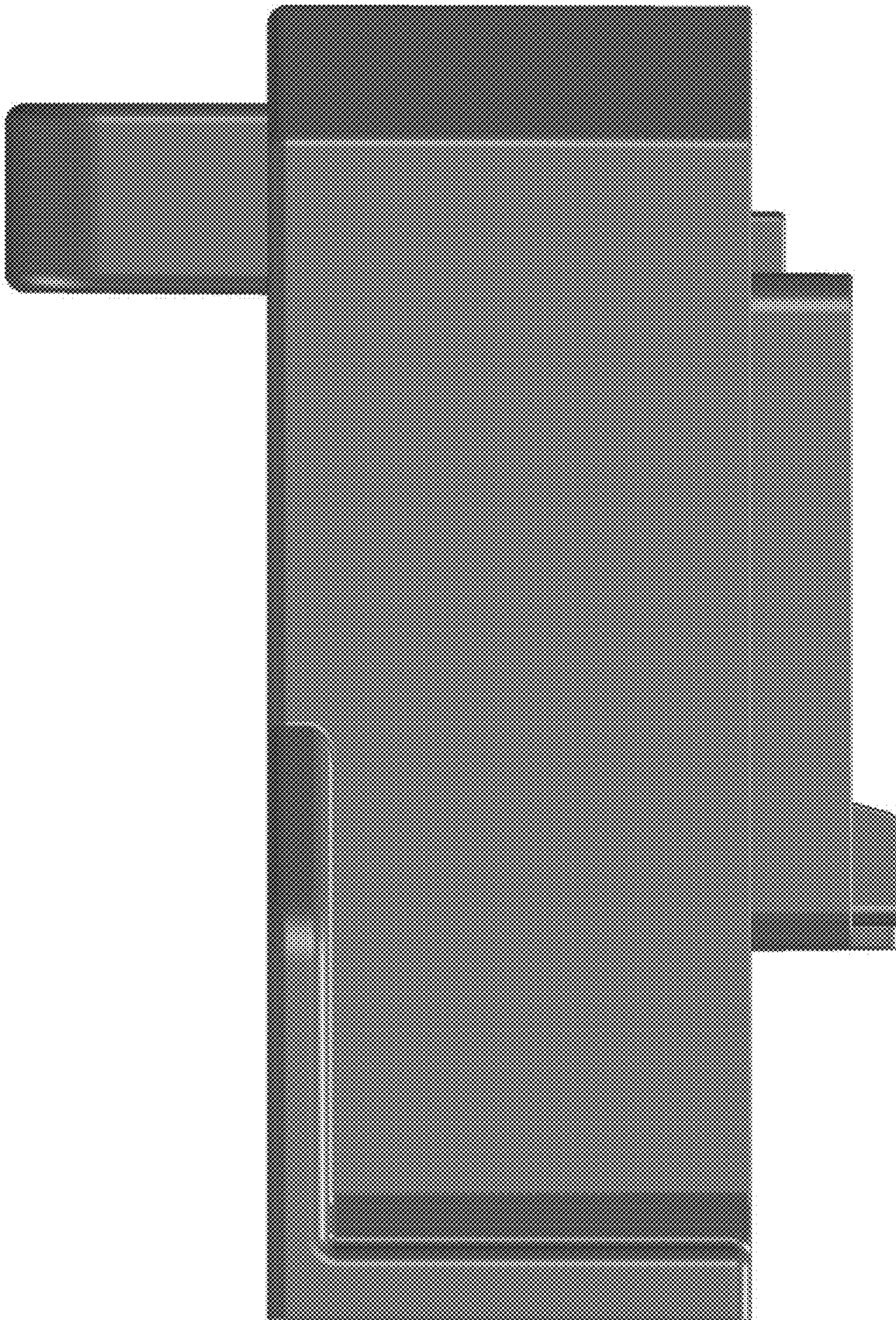


1.6





1.7





1.8

