



US00D855019S

(12) **United States Design Patent** (10) **Patent No.:** **US D855,019 S**  
**Rustill** (45) **Date of Patent:** **\*\* Jul. 30, 2019**

(54) **BATTERY CHARGER**  
(71) Applicant: **7RDD Limited**, North Yorkshire (GB)  
(72) Inventor: **Neal Aaron Rustill**, Yorkshire (GB)  
(73) Assignee: **7RDD LIMITED**, Dunnington, York (GB)  
(\*\*) Term: **15 Years**  
(21) Appl. No.: **29/596,587**  
(22) Filed: **Mar. 9, 2017**  
(51) **LOC (11) Cl.** ..... **13-02**  
(52) **U.S. Cl.**  
USPC ..... **D13/108**  
(58) **Field of Classification Search**  
USPC ..... D13/107-110, 118-119, 184; D14/251, D14/253, 432, 434  
CPC ..... Y02E 60/12; Y02T 90/14; Y02T 90/122; Y02T 90/128; Y02T 90/163; H02J 7/025; H02J 7/0042; H02J 7/0044; H02J 7/0045; H02J 7/0003; H01F 38/14; H01R 13/6675; H01M 10/44; H01M 10/46; H01M 10/425; H01M 2/1022; H01M 2/1055; B60L 11/182  
See application file for complete search history.

(56) **References Cited**  
U.S. PATENT DOCUMENTS  
D506,972 S \* 7/2005 Parel ..... D13/107  
D507,234 S \* 7/2005 Heun ..... D13/107

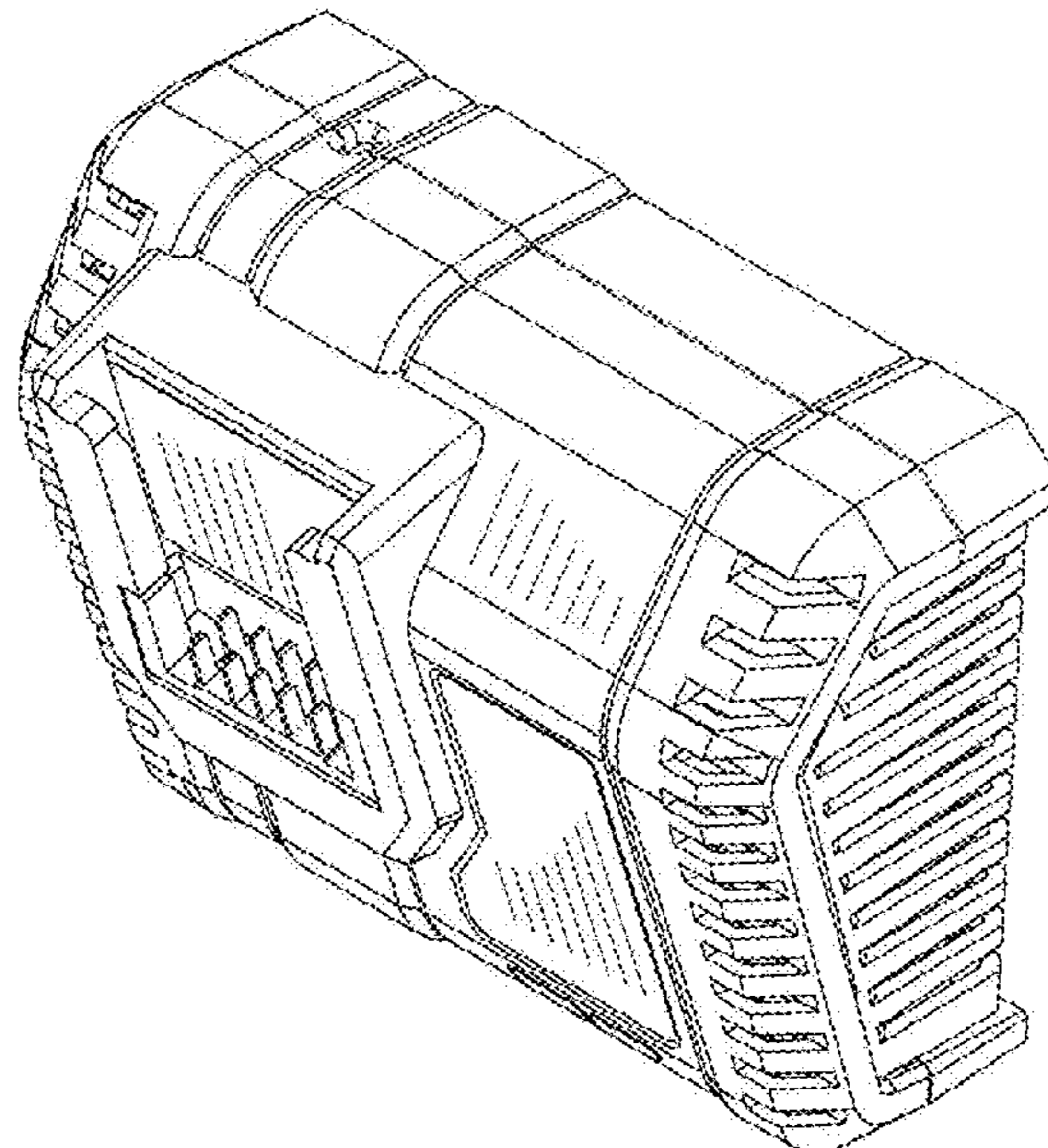
D605,111 S \* 12/2009 Schoch ..... D13/107  
D610,085 S \* 2/2010 Sweeney ..... D13/107  
D633,037 S \* 2/2011 Tschopp ..... D13/107  
D652,793 S \* 1/2012 Tschopp ..... D13/107  
D711,314 S \* 8/2014 Marino ..... D13/107  
D711,317 S \* 8/2014 Zhou ..... D13/108  
D723,458 S \* 3/2015 Martinez ..... D13/108  
D766,177 S \* 9/2016 Barajas ..... D13/107  
D775,587 S \* 1/2017 Barajas ..... D13/107  
9,728,822 B2 \* 8/2017 Taga ..... H01M 10/6563  
9,966,772 B2 \* 5/2018 Uesugi ..... H02J 7/0026

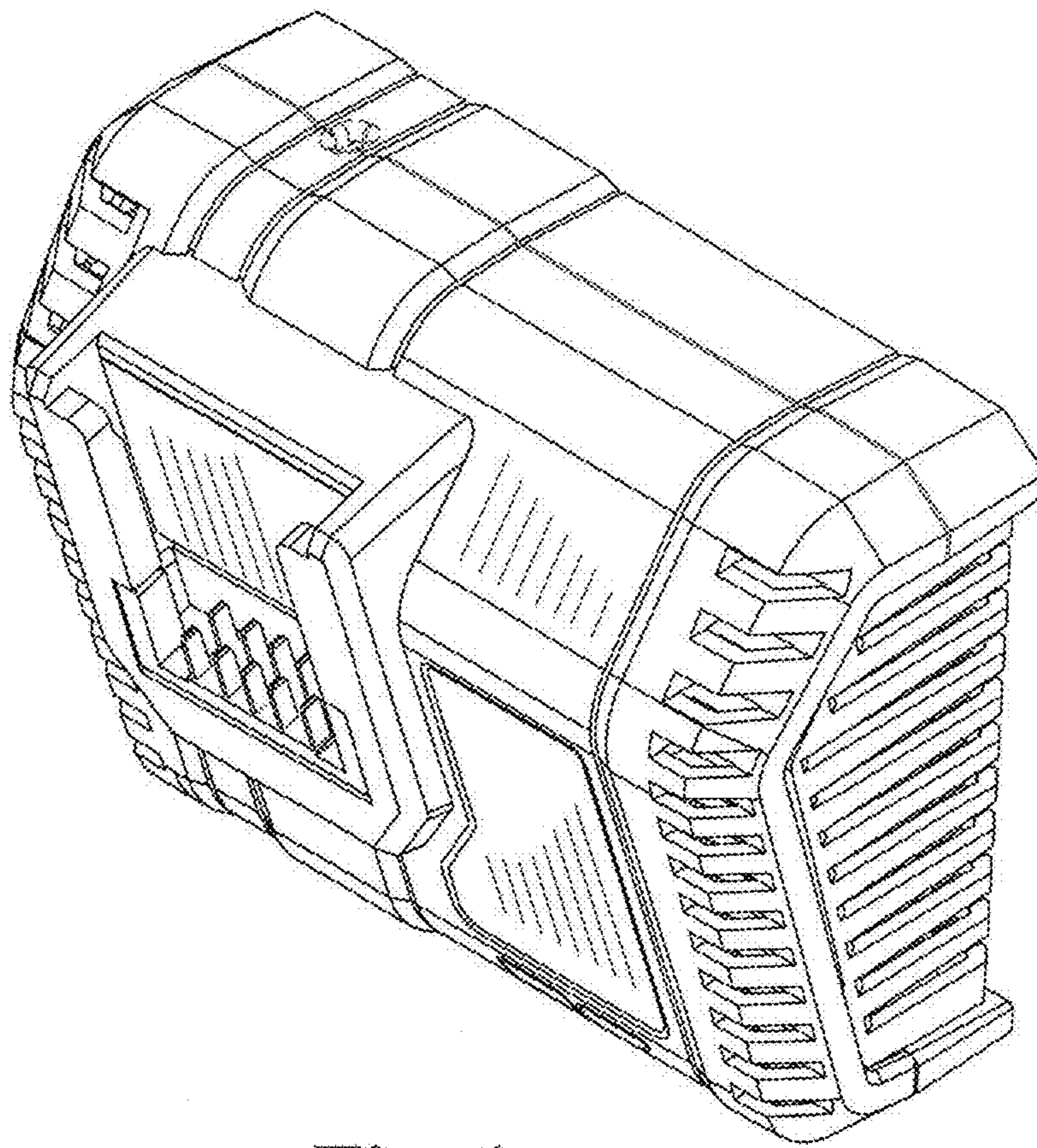
\* cited by examiner  
*Primary Examiner* — Rosemary K Tarca  
*Assistant Examiner* — Nathaniel D. Buckner  
(74) *Attorney, Agent, or Firm* — Woodard, Emhardt, Henry, Reeves & Wagner, LLP

(57) **CLAIM**  
The ornamental design for a battery charger, as shown and described.

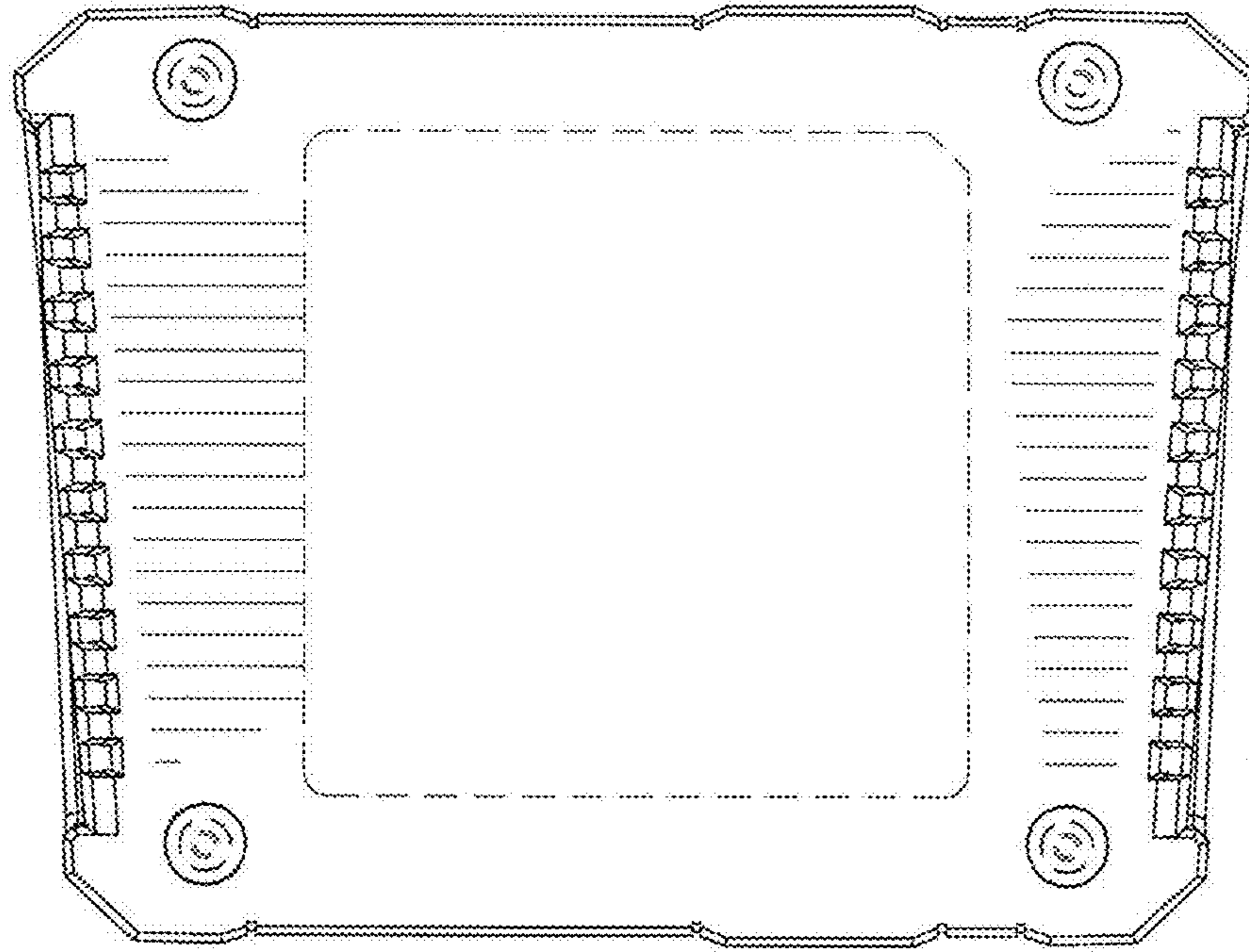
**DESCRIPTION**  
FIG. 1 is perspective view of a battery charger showing my new design;  
FIG. 2 is a right view thereof;  
FIG. 3 is a left view thereof;  
FIG. 4 is a front view thereof;  
FIG. 5 is a rear view thereof;  
FIG. 6 is a top view; and,  
FIG. 7 is a bottom view thereof.  
The broken lines in the figures depict portions of the article which form no part of the claimed design.

**1 Claim, 4 Drawing Sheets**

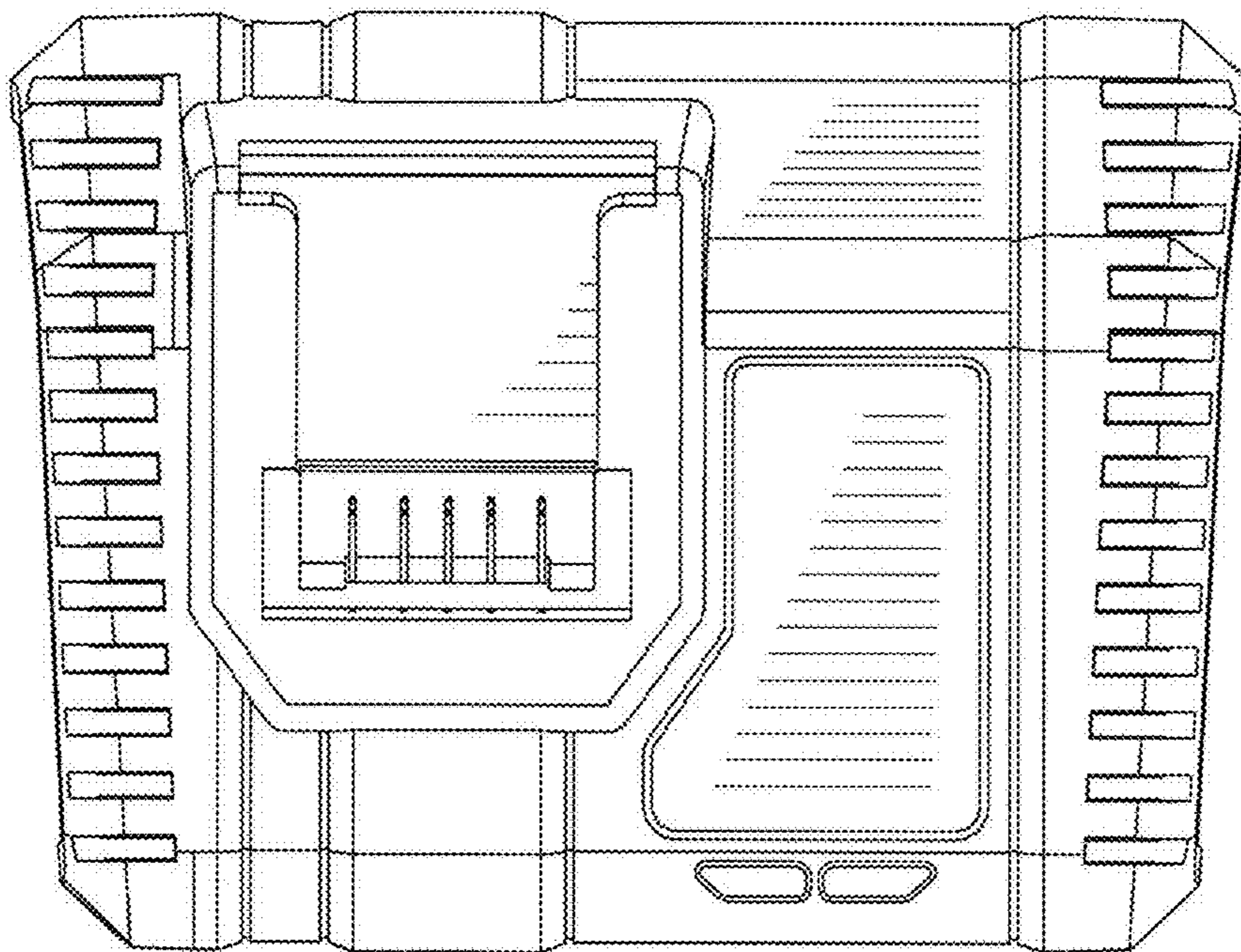




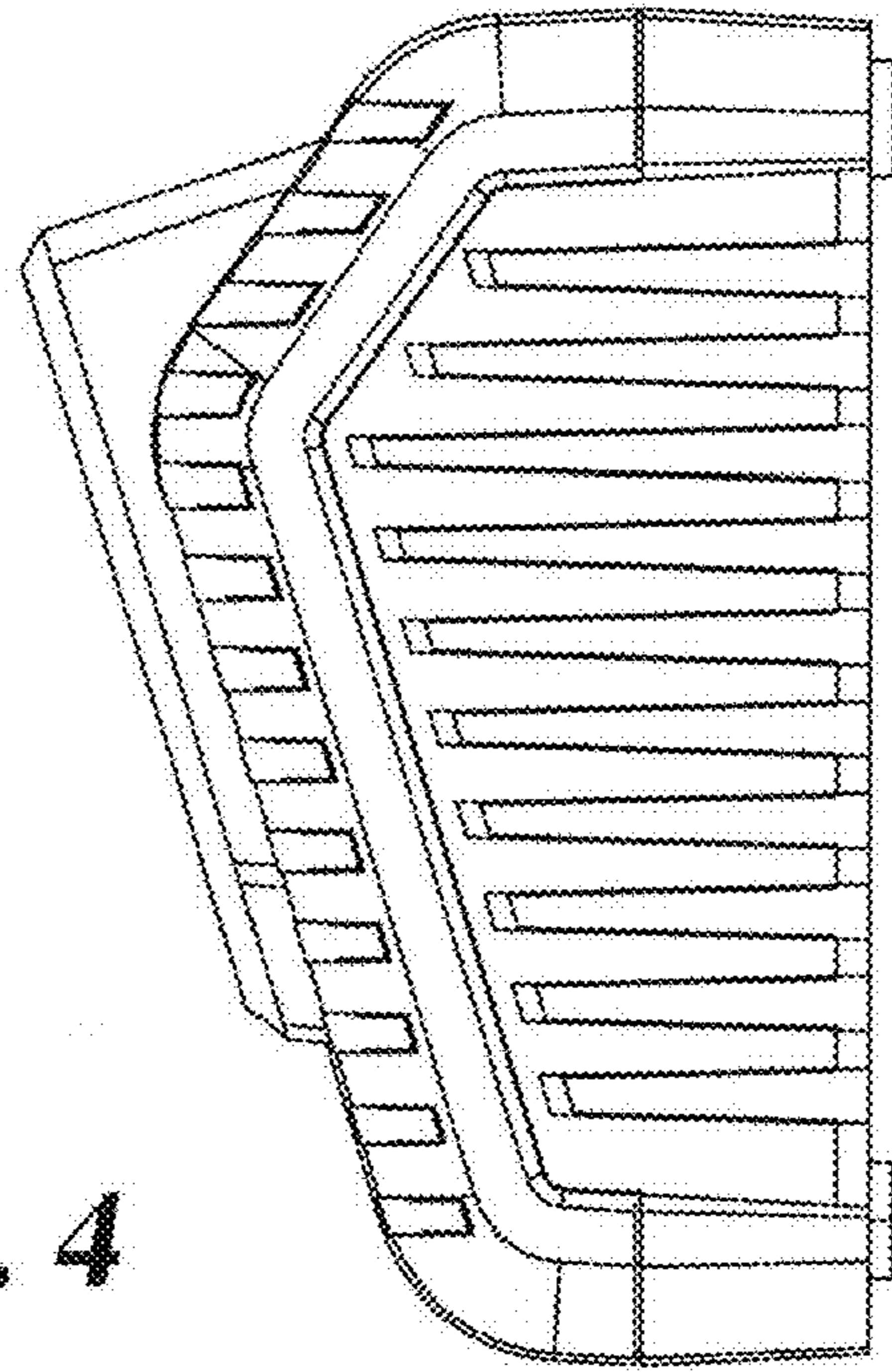
**Fig. 1**



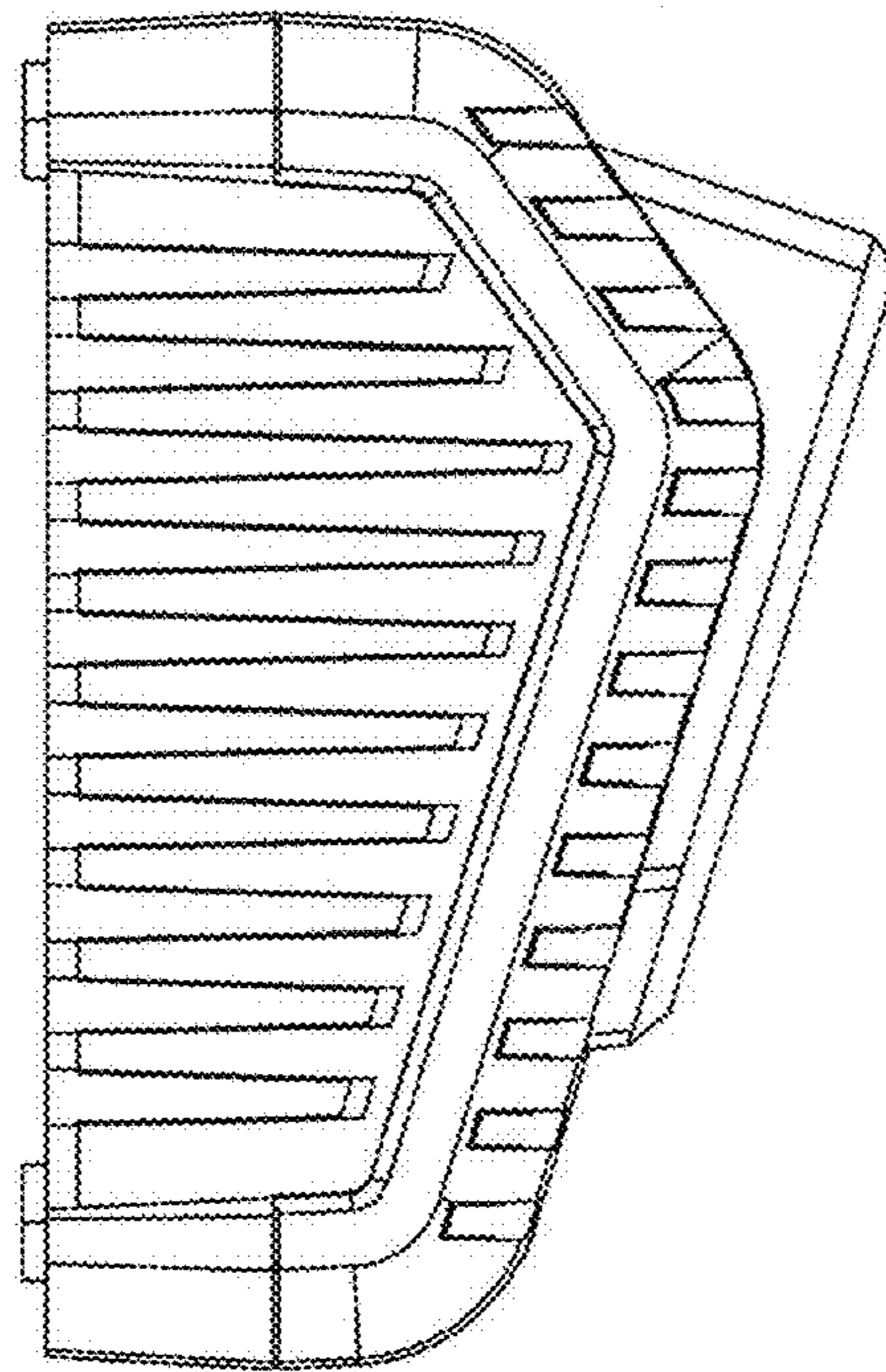
**Fig. 2**



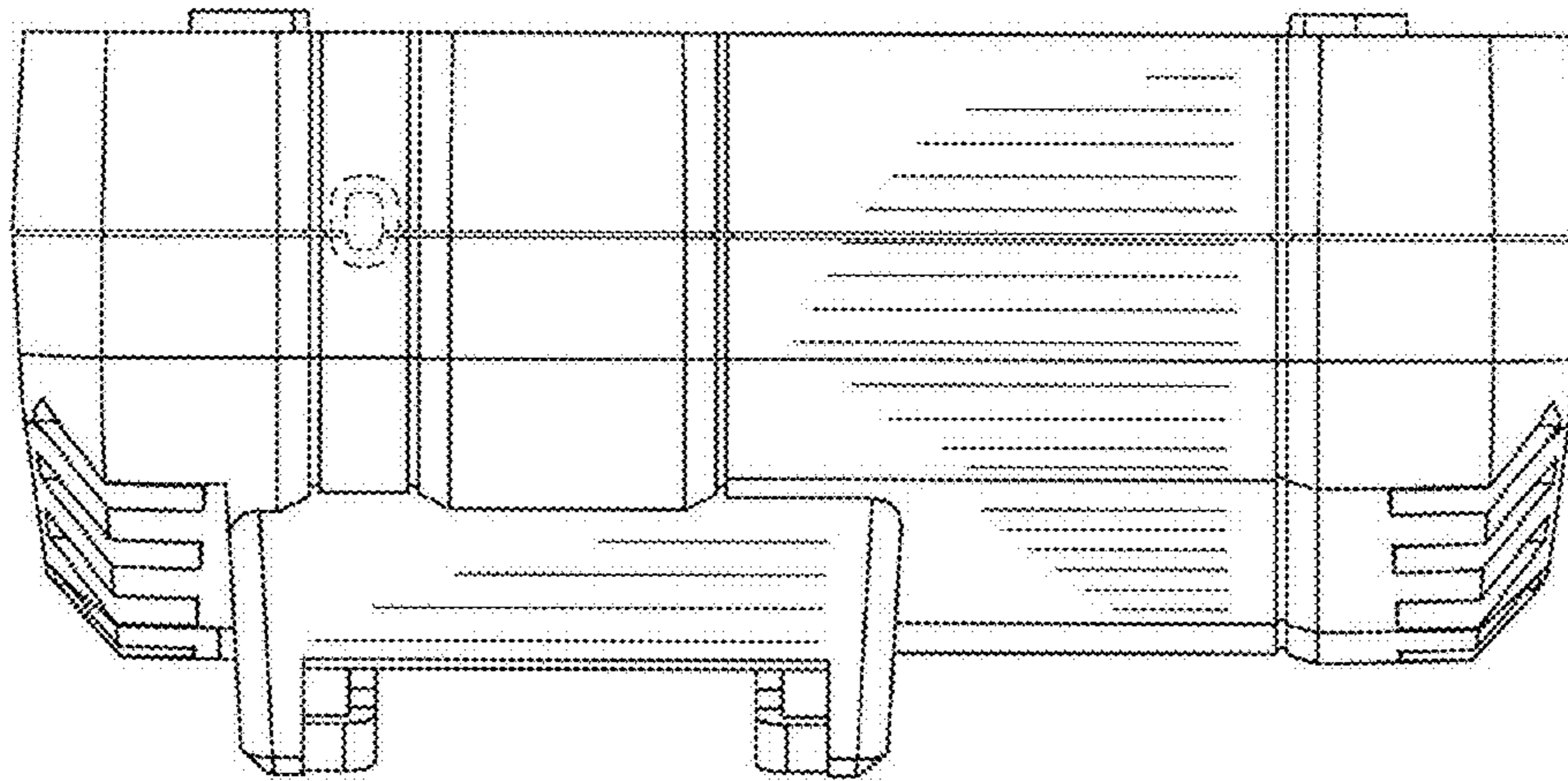
**Fig. 3**



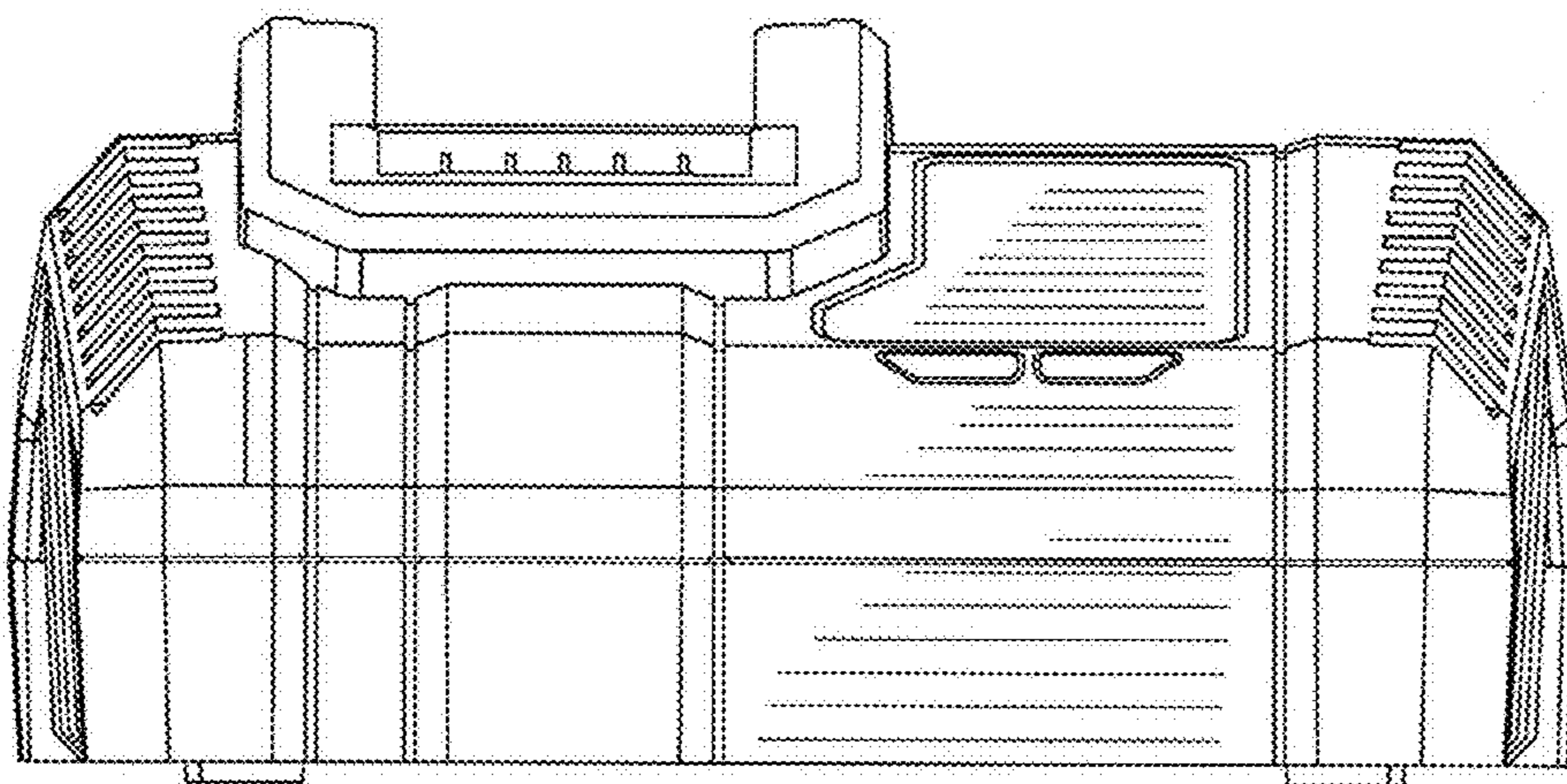
**Fig. 4**



**Fig. 5**



*Fig. 6*



*Fig. 7*