



US00D855011S

(12) **United States Design Patent**
Le et al.

(10) **Patent No.:** **US D855,011 S**
(45) **Date of Patent:** **** Jul. 30, 2019**

(54) **TIRE**

(71) Applicant: **The Goodyear Tire & Rubber Company, Akron, OH (US)**

(72) Inventors: **Phuoc Thuan Le, Attert (BE); Olivier Rosset, Helmsange (LU); Didier Winkin, Bastogne (BE); Vincent Benoit Mathonet, Harze (BE); Armand Rene Gabriel Leconte, Bigonville (LU)**

(73) Assignee: **The Goodyear Tire & Rubber Company, Akron, OH (US)**

(**) Term: **15 Years**

(21) Appl. No.: **29/609,213**

(22) Filed: **Jun. 29, 2017**

(51) **LOC (11) Cl.** **12-15**

(52) **U.S. Cl.**
USPC **D12/588**

(58) **Field of Classification Search**
USPC D12/586, 587, 588, 589, 590, 591, 600, D12/601
CPC B60C 11/032; B60C 11/0388
See application file for complete search history.

(56) **References Cited**

U.S. PATENT DOCUMENTS

D414,447 S	*	9/1999	Weber	D12/588
D416,833 S	*	11/1999	Weber	D12/588
D458,899 S	*	6/2002	Nopper	D12/601
D481,992 S		11/2003	Harden, Jr. et al.	D12/595
D554,053 S		10/2007	Feider et al.	D12/588
D555,081 S		11/2007	Feider et al.	D12/588
D583,309 S		12/2008	Licht et al.	D12/588
D593,937 S	*	6/2009	Maxwell	D12/588
D609,169 S		2/2010	Feider	D12/588

D609,170 S		2/2010	Feider et al.	D12/588
D609,175 S		2/2010	Feider et al.	D12/600
D648,265 S	*	11/2011	Kim	D12/588
D661,640 S		6/2012	Krier	D12/588
D664,913 S		8/2012	Le et al.	D12/521
D702,180 S		4/2014	Le et al.	D12/588
D715,216 S		10/2014	Dixon et al.	D12/600
D715,217 S		10/2014	Dixon et al.	D12/600

(Continued)

Primary Examiner — Robert M. Spear

(74) *Attorney, Agent, or Firm* — Robert N. Lipsik

(57) **CLAIM**

The ornamental Design for a tire, as shown and described.

DESCRIPTION

FIG. 1 is a perspective view of a tire showing our new design, it being understood that the pattern repeats uniformly throughout the circumference of the tread;

FIG. 2 is a front elevational view thereof;

FIG. 3 is a right side elevational view thereof; the left side elevational view being identical thereto;

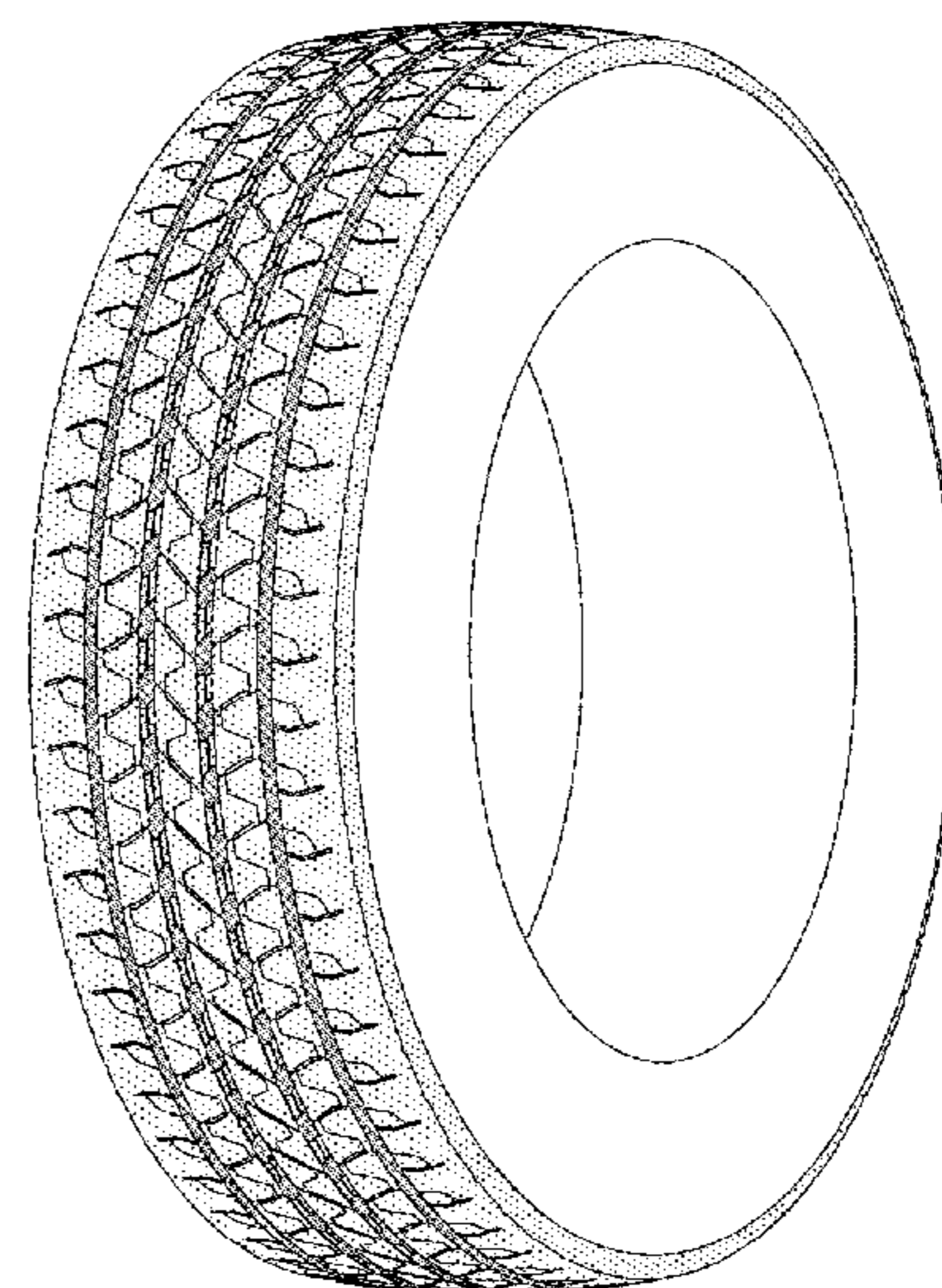
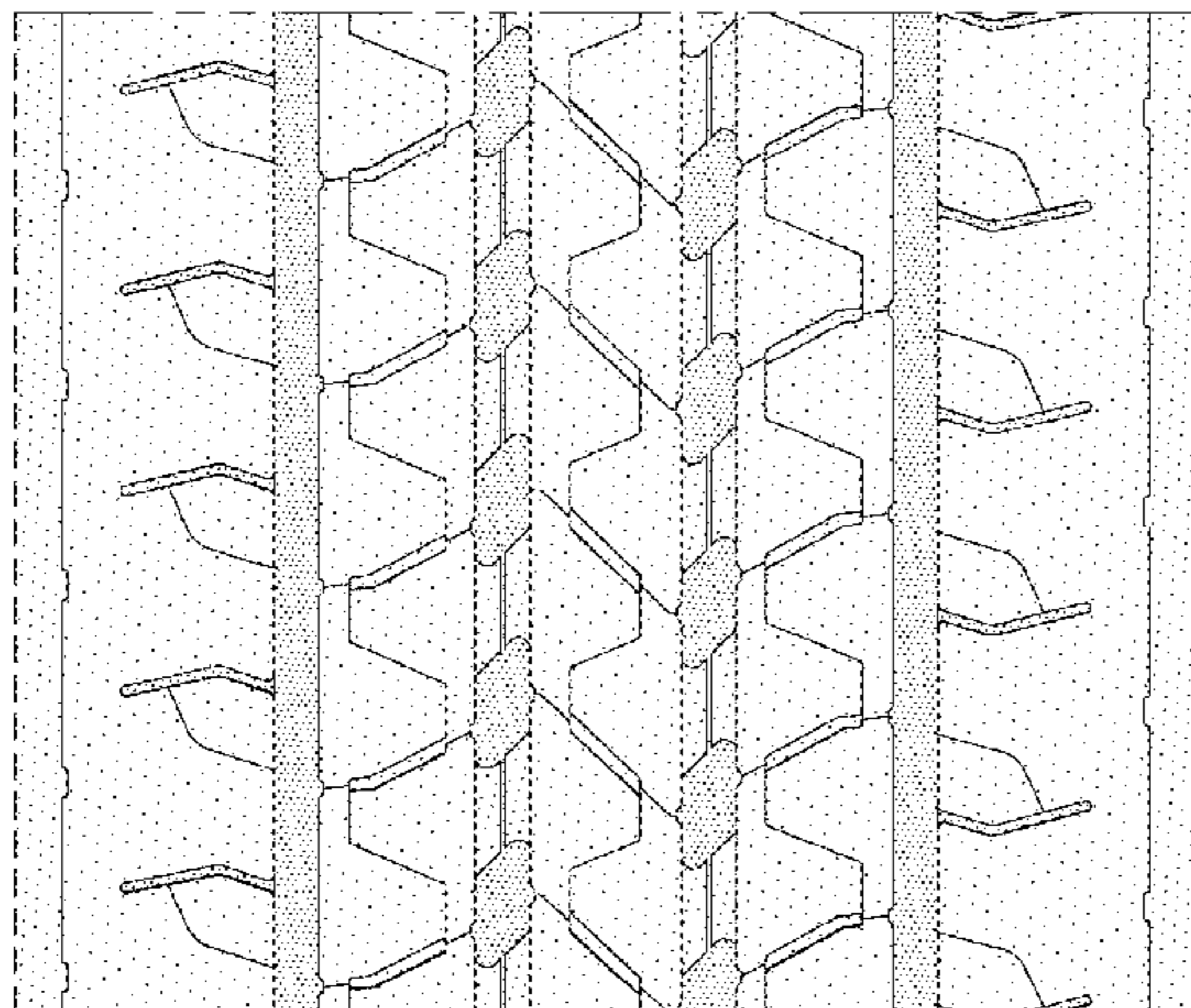
FIG. 4 is an enlarged fragmentary front elevational view thereof;

FIG. 5 is a perspective view of a second embodiment of a tire showing our new design, it being understood that the interior of the tire forms no part of the claim, that the pattern repeats uniformly throughout the circumference of the tread and that the opposite side view is identical thereto; and,

FIG. 6 is a front elevational view of a second embodiment, it being understood that an enlarged fragmentary view thereof would be substantially identical to that shown in FIG. 4, with the exception of the inclusion of the sidewall in the claim.

In the drawings, the broken lines immediately adjacent to the outer edges of the tire shoulder represent boundaries of the claim, and the broken lines depict environmental subject matter only and form no part of the claimed design.

1 Claim, 6 Drawing Sheets



(56)

References Cited

U.S. PATENT DOCUMENTS

D728,462 S	5/2015	Mathonet et al.	D12/588
D730,270 S	5/2015	Krier et al.	D12/584
D762,558 S *	8/2016	Xue	D12/586
D763,784 S	8/2016	Mathonet et al.	D12/603
D768,063 S *	10/2016	Sato	D12/601
D770,371 S	11/2016	Mathonet et al.	D12/601
D772,792 S *	11/2016	Kim	D12/601
D779,420 S	2/2017	Krier et al.	D12/601
D782,964 S	4/2017	Fursthos et al.	D12/584
D789,288 S *	6/2017	Wuescher	D12/590

* cited by examiner

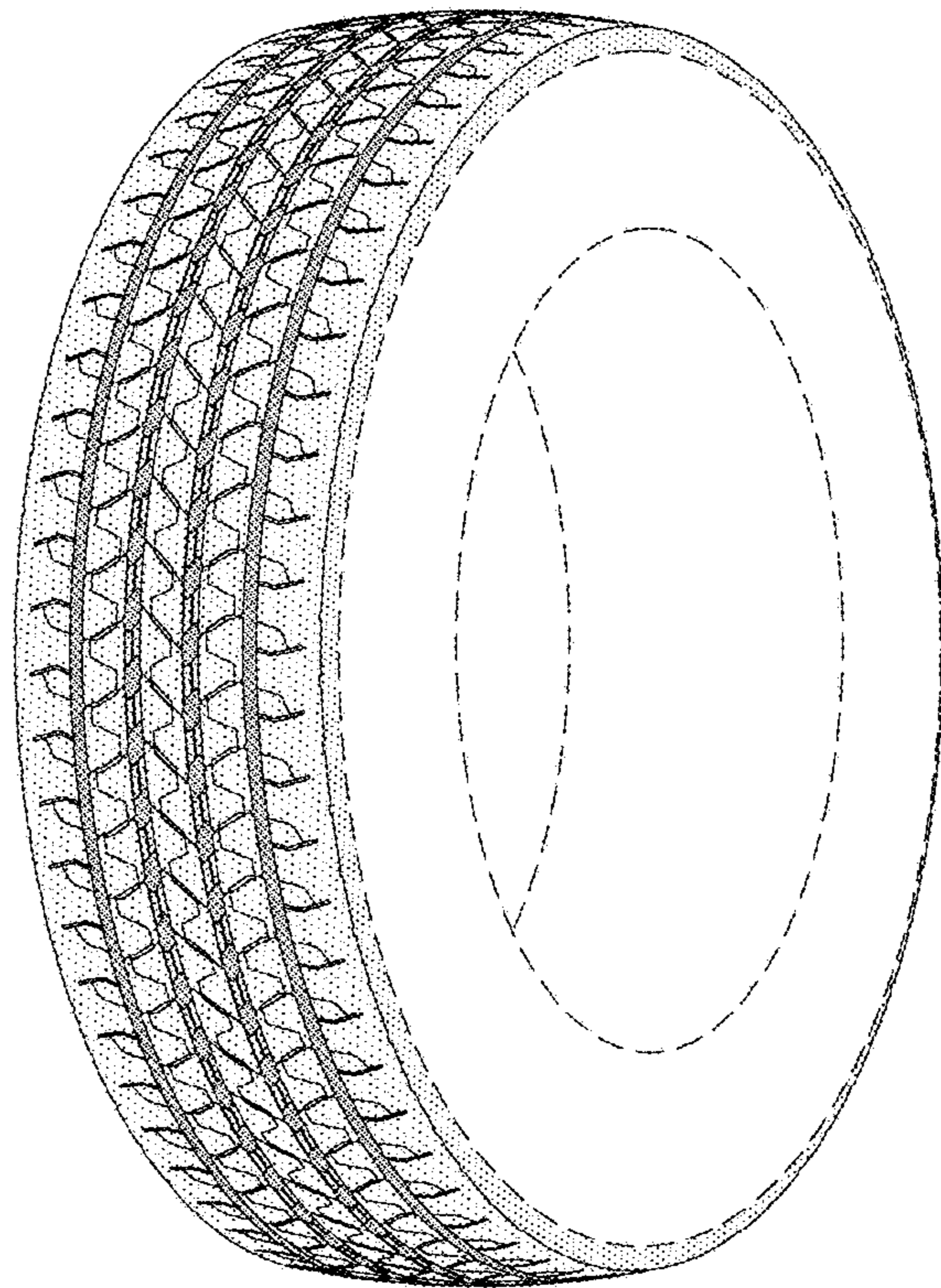


FIG. 1

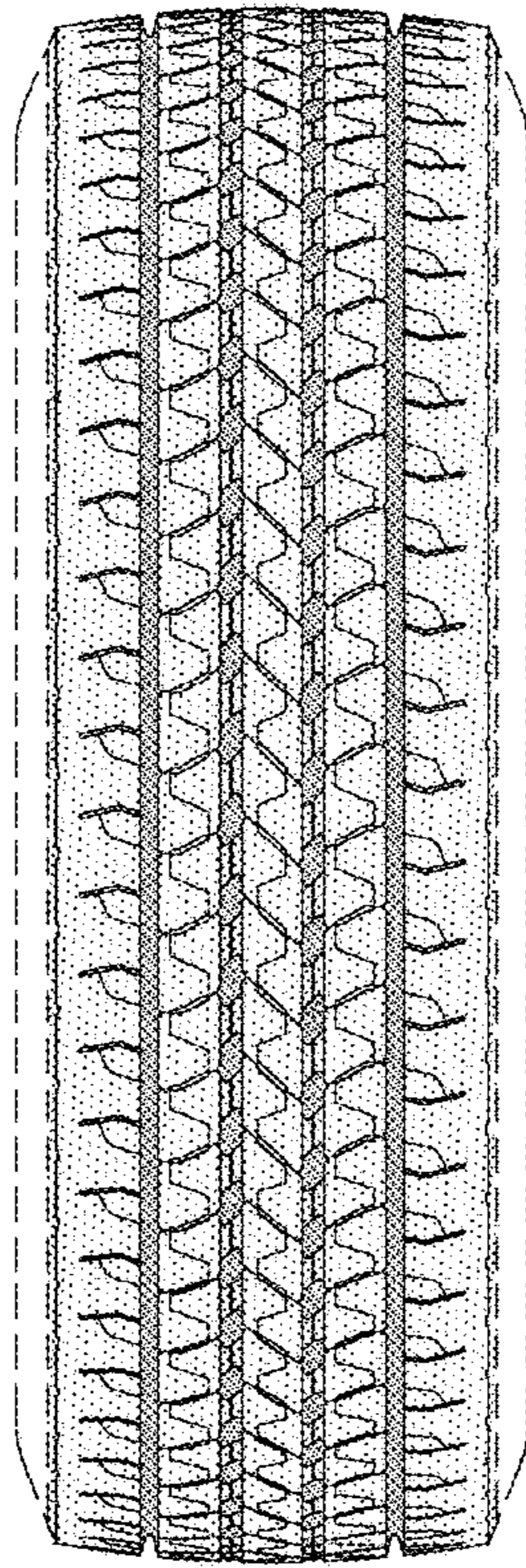


FIG. 2

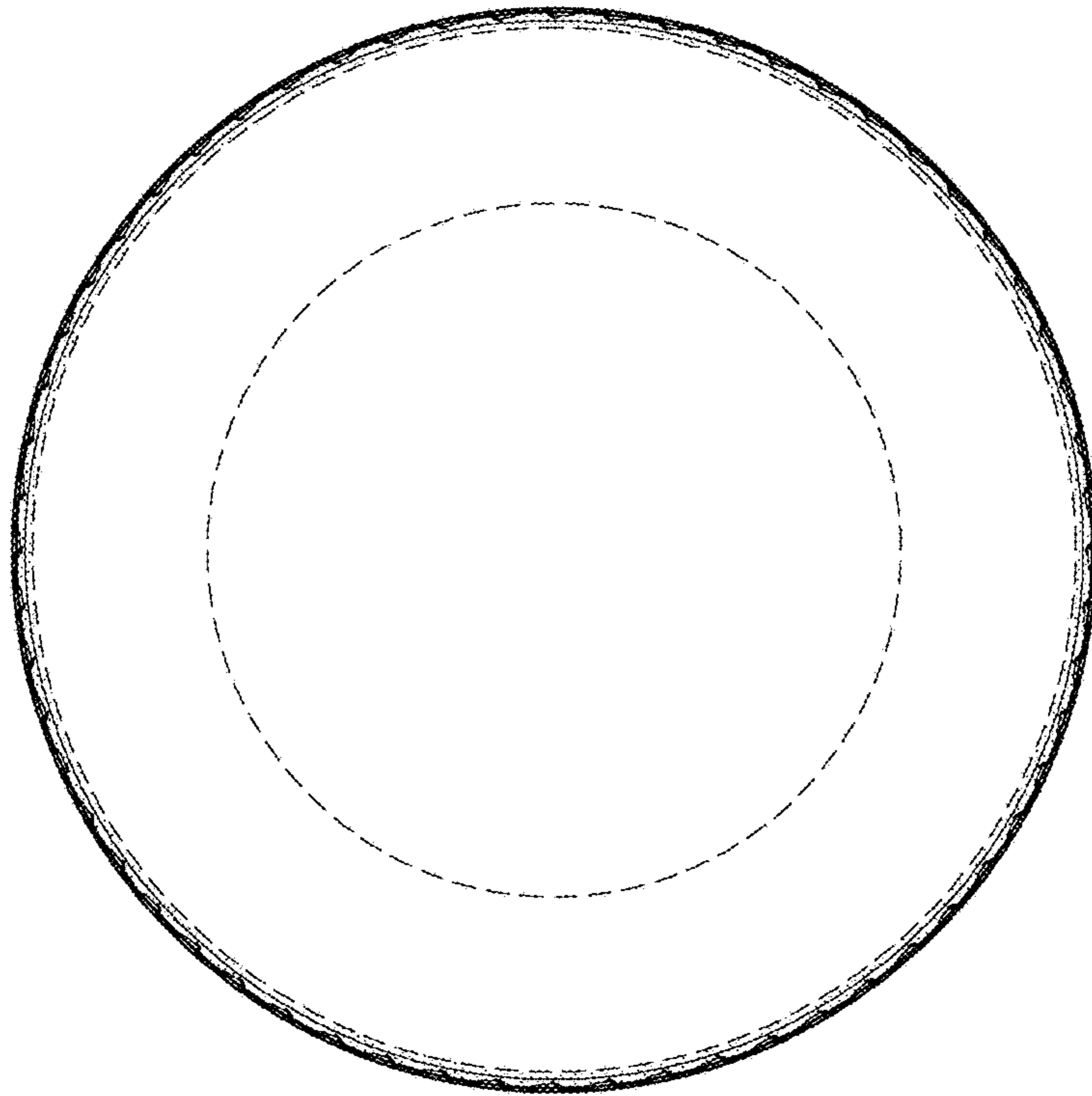


FIG. 3

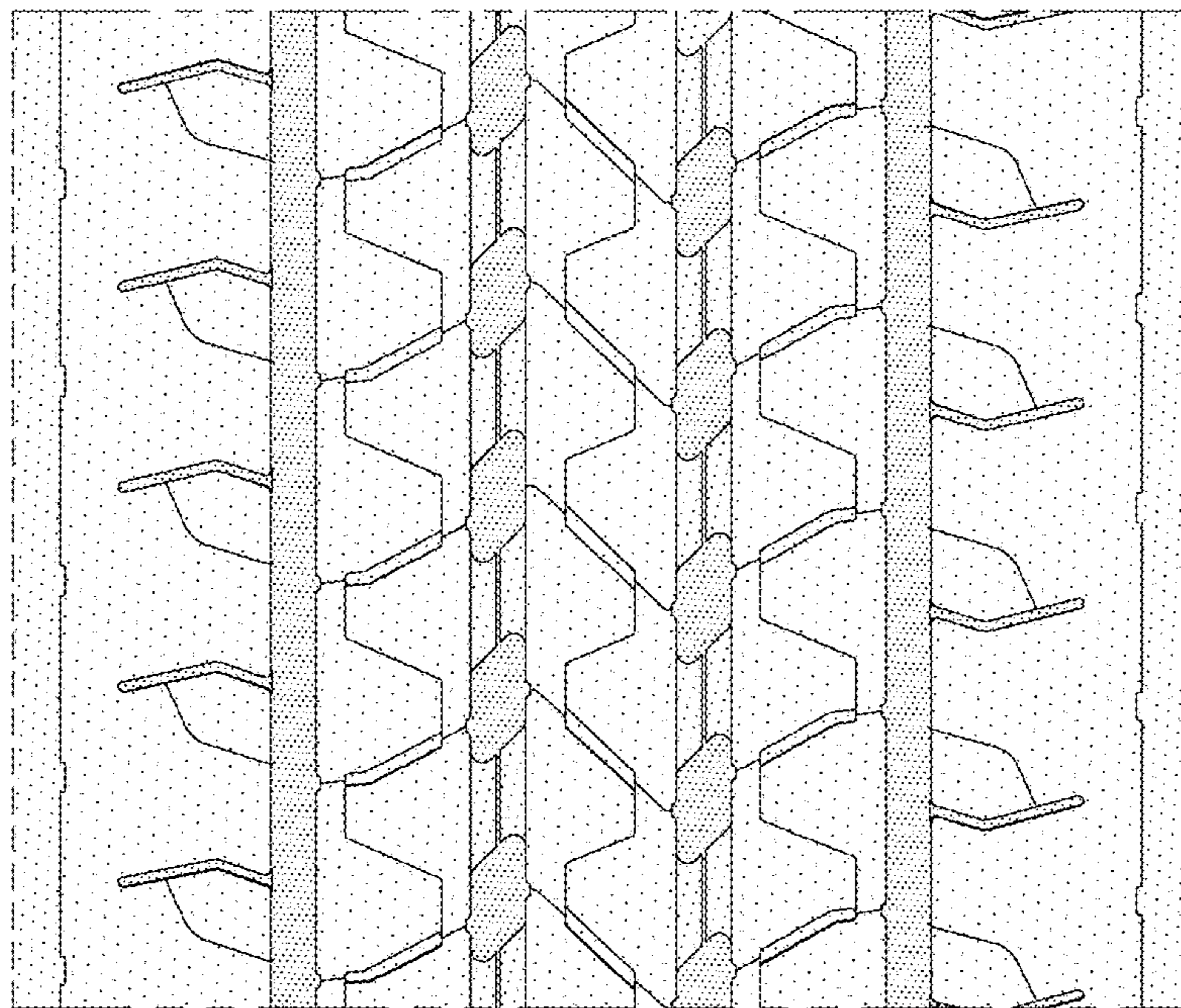


FIG. 4

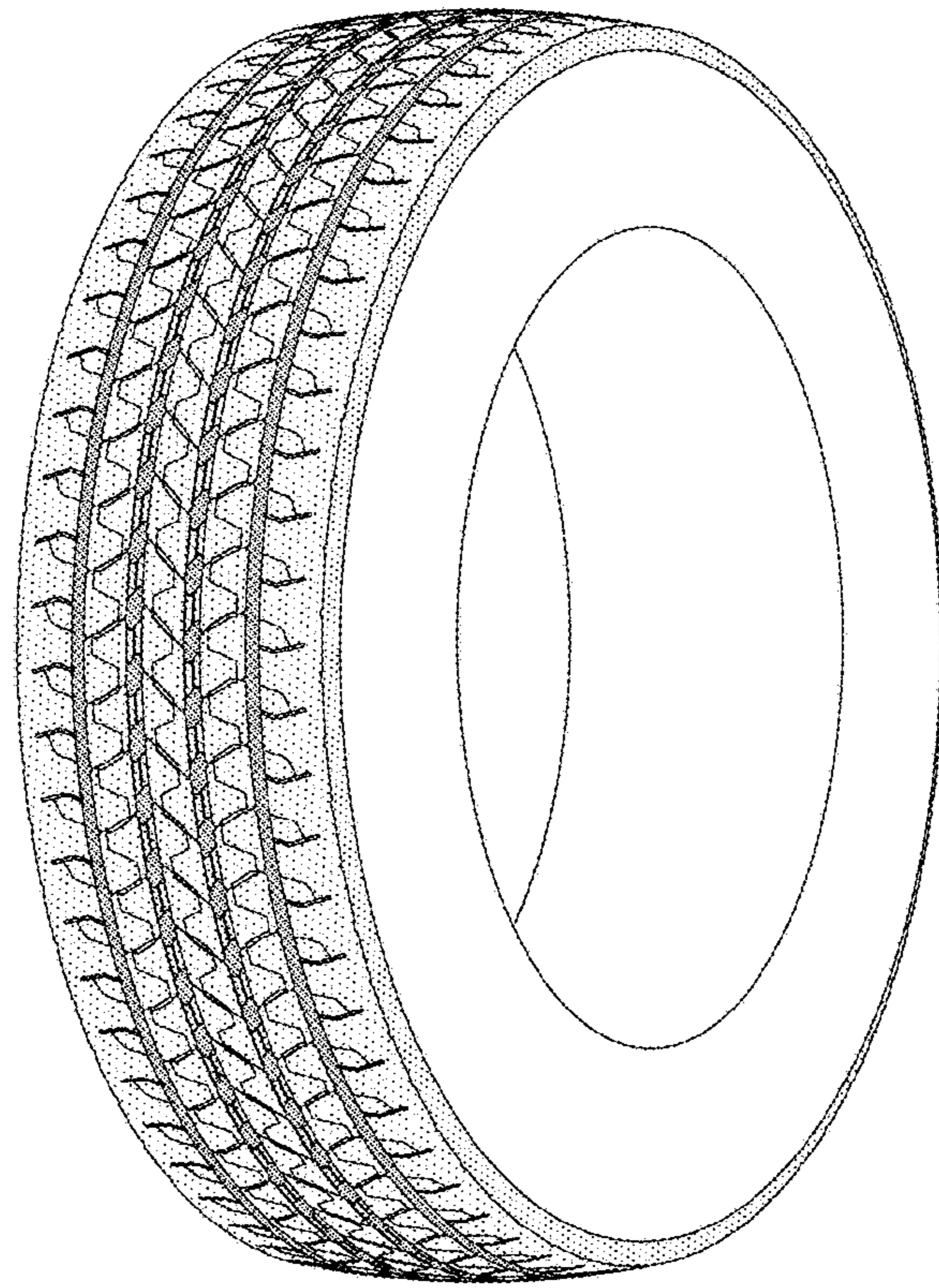


FIG. 5

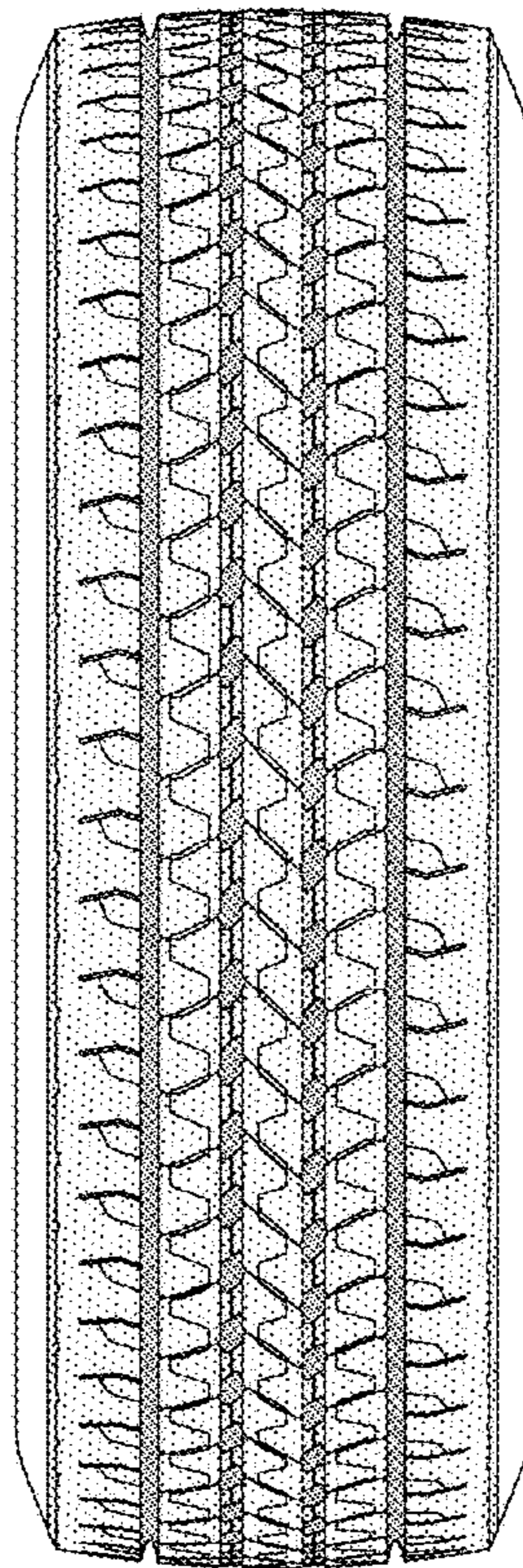


FIG. 6