



US00D855009S

(12) **United States Design Patent**  
**Kim**

(10) **Patent No.:** **US D855,009 S**

(45) **Date of Patent:** **\*\* Jul. 30, 2019**

(54) **BICYCLE CARRIER FOR VEHICLES**

(71) Applicant: **GLOX CO., LTD.**,  
Gyeongsangnam-Do (KR)

(72) Inventor: **Kwang-Jae Kim**, Busan (KR)

(\*\*) Term: **15 Years**

(21) Appl. No.: **35/504,953**

(22) Filed: **Nov. 13, 2017**

(80) **Hague Agreement Data**

Int. Filing Date: **Nov. 13, 2017**

Int. Reg. No.: **DM/099727**

Int. Reg. Date: **Nov. 13, 2017**

Int. Reg. Pub. Date: **May 18, 2018**

(30) **Foreign Application Priority Data**

Jul. 20, 2017 (KR) ..... 3020170033492

(51) **LOC (11) Cl.** ..... **12-16**

(52) **U.S. Cl.**  
USPC ..... **D12/408**

(58) **Field of Classification Search**

USPC ..... D12/111, 406, 407, 408, 412, 414  
CPC .. B60R 9/06; B60R 9/10; B60R 9/045; B60R  
9/048; B60R 11/00

See application file for complete search history.

(56) **References Cited**

**U.S. PATENT DOCUMENTS**

- 5,598,959 A \* 2/1997 Lorensen ..... B60R 9/045  
224/315
- 5,690,259 A \* 11/1997 Montani ..... B60R 9/042  
224/310
- 6,494,351 B1 \* 12/2002 Dean ..... B60R 9/048  
224/324
- 6,758,380 B1 \* 7/2004 Kolda ..... B60R 9/048  
224/315
- D561,680 S \* 2/2008 Foley ..... D12/408

- D562,217 S \* 2/2008 Davis ..... D12/408
- D562,218 S \* 2/2008 Foley ..... D12/408
- D566,034 S \* 4/2008 Davis ..... D12/408
- 7,726,528 B2 \* 6/2010 Foley ..... B60R 9/048  
224/324
- 7,726,529 B2 \* 6/2010 Foley ..... B60R 9/048  
211/20
- 7,757,914 B2 \* 7/2010 Book ..... B60R 9/048  
224/324
- D622,208 S \* 8/2010 Sautter ..... D12/408
- D623,117 S \* 9/2010 Farber ..... D12/408
- D635,086 S \* 3/2011 Shen ..... D12/408
- 8,196,789 B2 \* 6/2012 Kraeuter ..... B60R 9/10  
224/315
- 8,281,625 B2 \* 10/2012 Prescott ..... B60R 9/048  
211/5
- D693,760 S \* 11/2013 Weaver ..... D12/408

(Continued)

*Primary Examiner* — Darlington Ly

(57) **CLAIM**

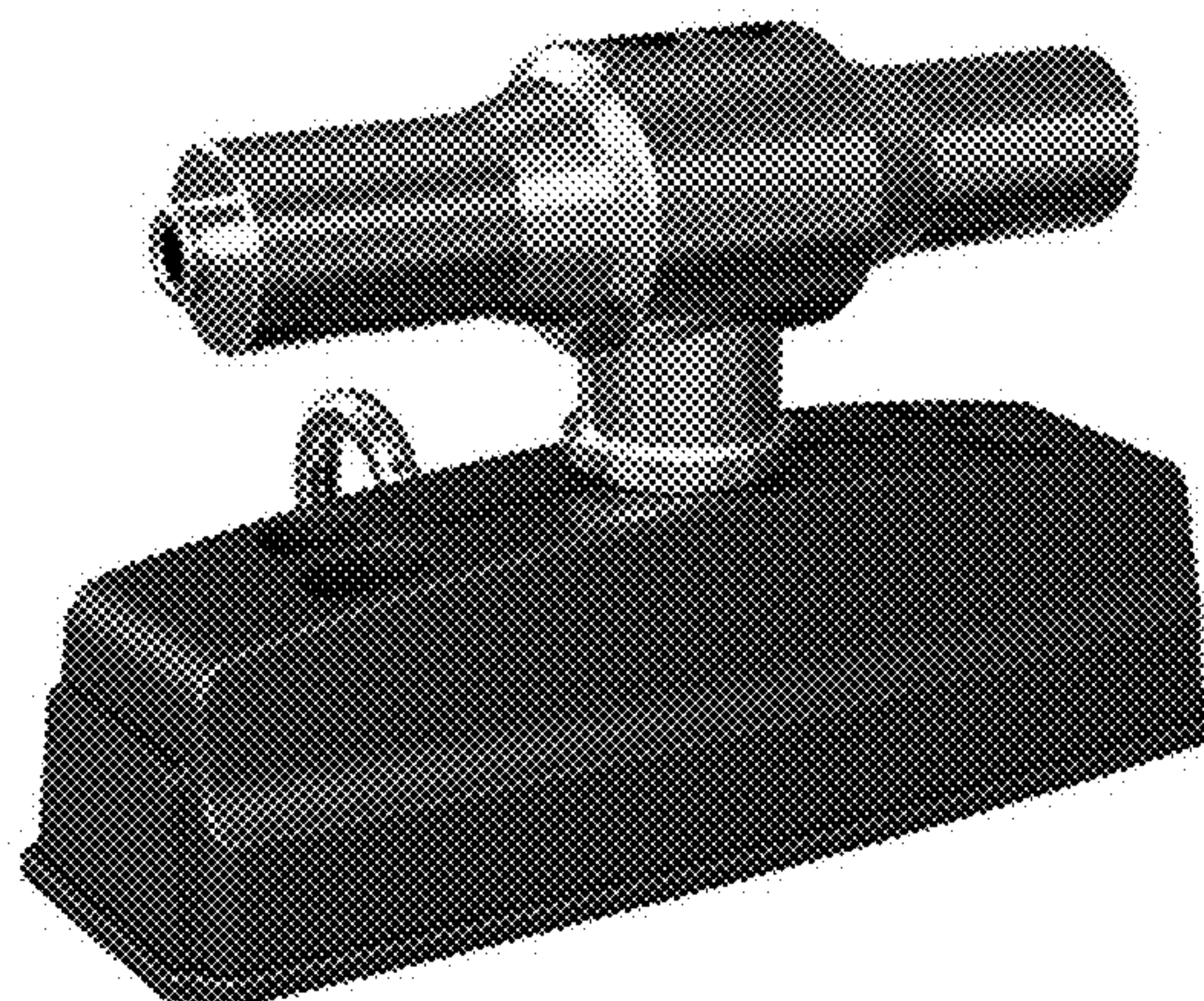
The ornamental design for a bicycle carrier for vehicles, as shown and described.

**DESCRIPTION**

The file of this patent contains at least one drawing/photograph executed in color. Copies of this patent with color drawing(s)/photograph(s) will be provided by the Office upon request and payment of the necessary fee.

- 1. Bicycle carrier for vehicles
- 1.1 is a front perspective view of a bicycle carrier for vehicles showing my new design;
- 1.2 is a front elevation view thereof;
- 1.3 is a rear elevation view thereof;
- 1.4 is a top plan view thereof;
- 1.5 is a bottom plan view thereof;
- 1.6 is a left side elevation view thereof;
- 1.7 is a right side elevation view thereof; and
- 1.8 is a rear perspective view thereof.

**1 Claim, 8 Drawing Sheets**  
**(8 of 8 Drawing Sheet(s) Filed in Color)**



(56)

**References Cited**

U.S. PATENT DOCUMENTS

D695,206 S *	12/2013	Eriksson .....	D12/414
D701,163 S *	3/2014	Kuschmeader .....	D12/408
D703,130 S *	4/2014	Settelmayer .....	D12/408
D703,605 S *	4/2014	Sautter .....	D12/408
2011/0290836 A1 *	12/2011	Shen .....	B60R 9/045 224/319

\* cited by examiner

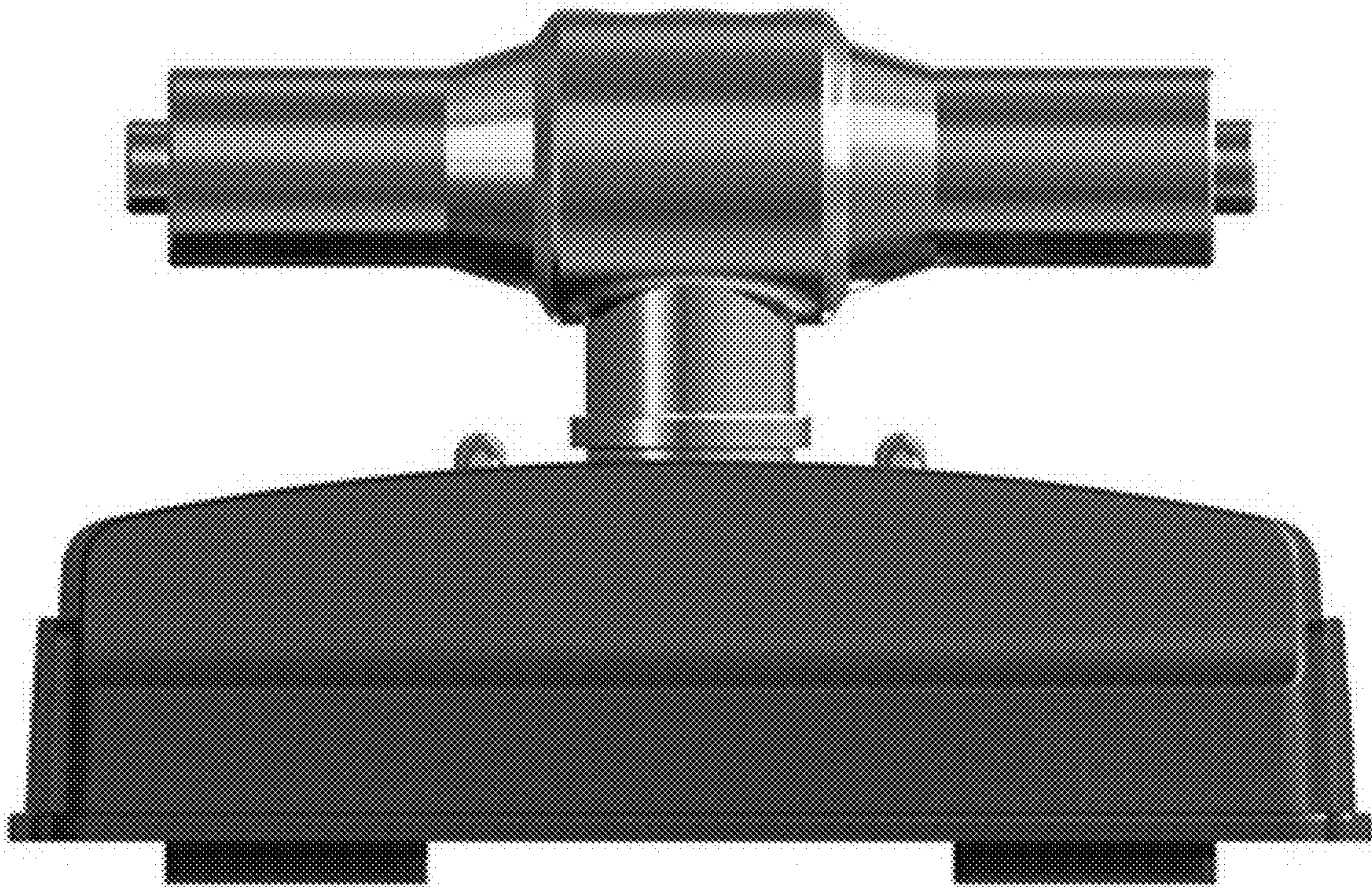


1.1



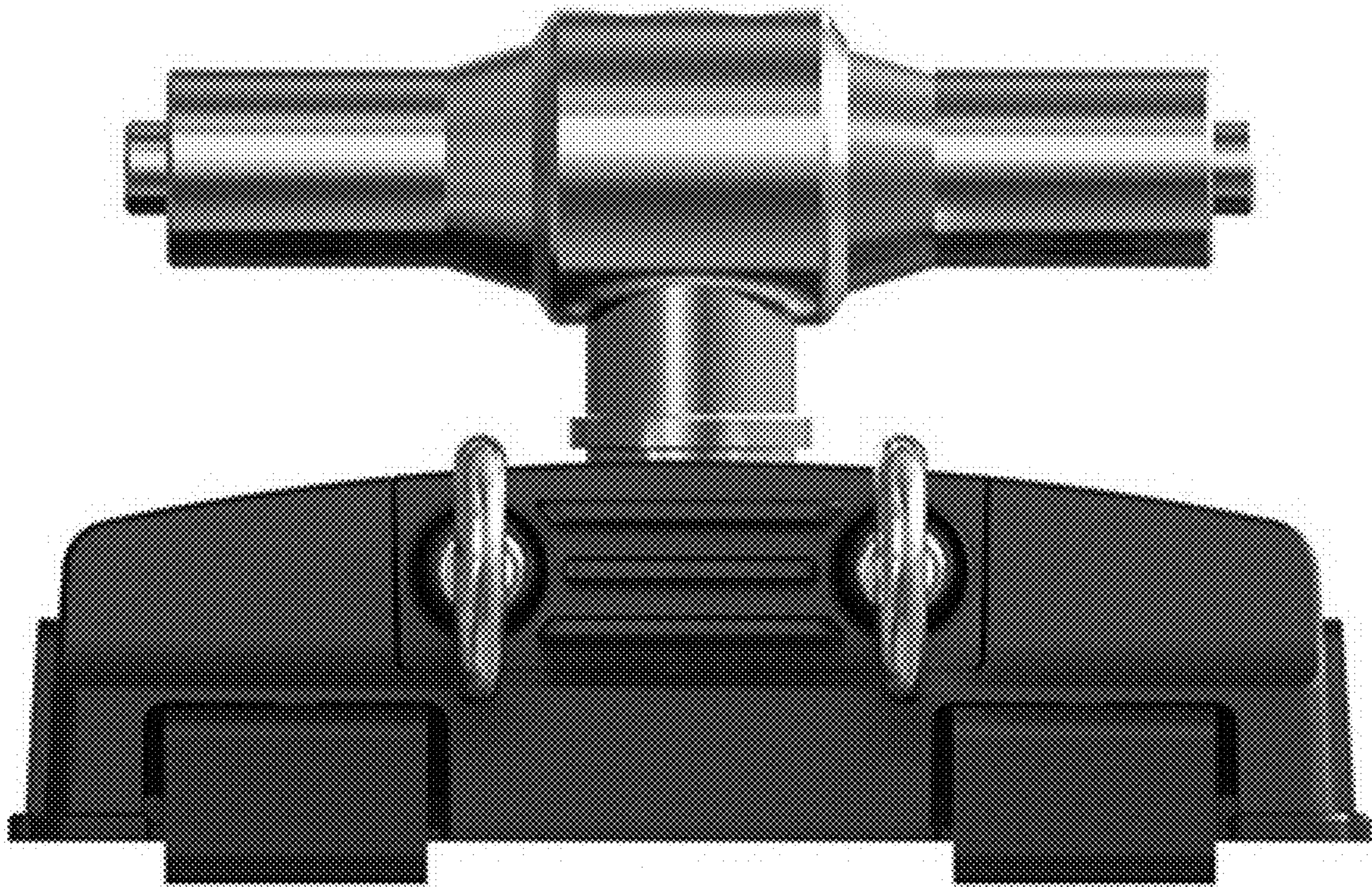


1.2



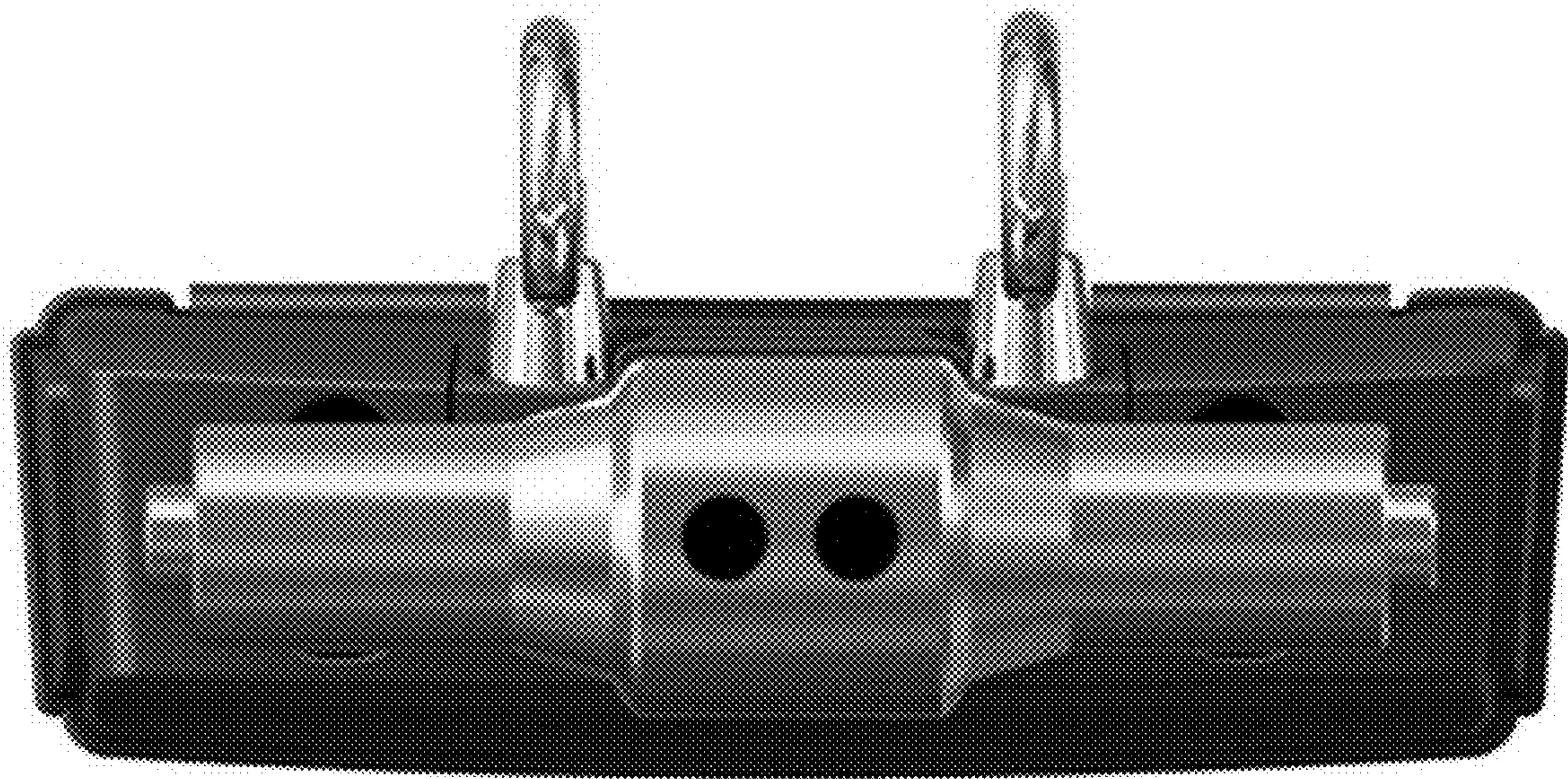


1.3





1.4



1.5





1.6





1.7





1.8

