



US00D855008S

(12) **United States Design Patent**
Man

(10) **Patent No.:** **US D855,008 S**
(45) **Date of Patent:** **** Jul. 30, 2019**

(54) **BICYCLE RACK**

(71) Applicant: **Anran Man**, Zhangjiajie (CN)

(72) Inventor: **Anran Man**, Zhangjiajie (CN)

(**) Term: **15 Years**

(21) Appl. No.: **29/691,569**

(22) Filed: **May 17, 2019**

(51) **LOC (11) Cl.** **12-16**

(52) **U.S. Cl.**
USPC **D12/407**

(58) **Field of Classification Search**
USPC D12/401-414; D6/610-611
See application file for complete search history.

(56) **References Cited**

U.S. PATENT DOCUMENTS

D604,207	S	*	11/2009	Selzer	D12/115
D737,196	S	*	8/2015	Pappas	D12/407
D759,570	S	*	6/2016	Pappas	D12/407
D774,422	S	*	12/2016	Greenblatt	D12/115
D834,495	S	*	11/2018	Fenoglio	D12/406
D840,322	S	*	2/2019	Luyet	D12/407
2017/0240231	A1	*	8/2017	Robinson	B62H 3/08
2017/0253188	A1	*	9/2017	Shen	B60R 9/10
2017/0349111	A1	*	12/2017	Ramsdell	B60R 9/10
2018/0111564	A1	*	4/2018	Merino	B60R 9/10
2018/0311559	A1	*	11/2018	Nesbitt	A63B 69/16
2018/0339740	A1	*	11/2018	Getchell	B62J 1/28

OTHER PUBLICATIONS

QAHKP Bicycle Parking Rack Multi-Function Bicycle Display Stand, Three Parking Modes, Retrieved May 16, 2019]. Retrieved

from Internet, https://www.amazon.com/Bikehand-Bicycle-Floor-Parking-Storage/dp/B00FLTZ26C/ref=sr_1_15?

* cited by examiner

Primary Examiner — Katrina A Betton

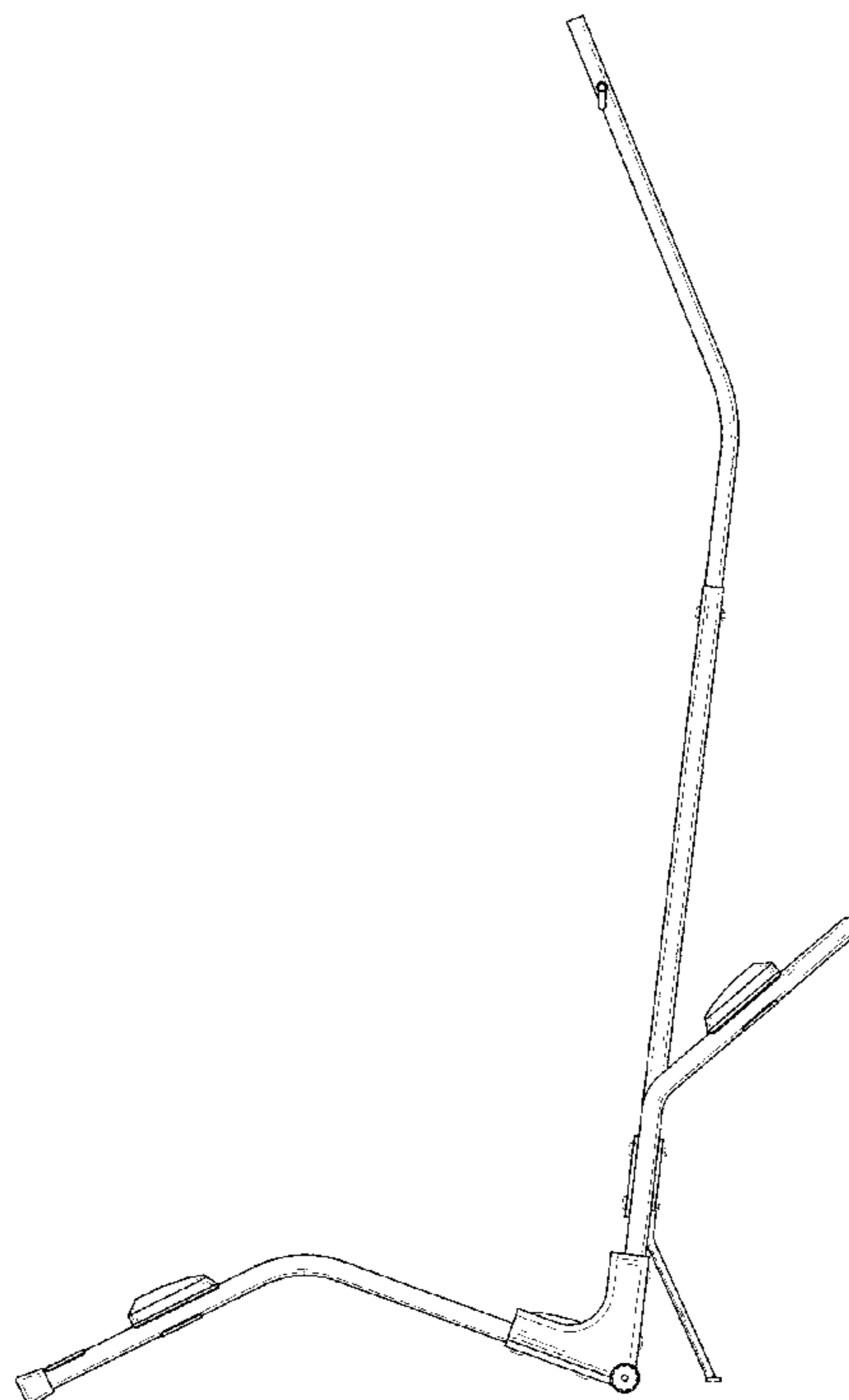
(57) **CLAIM**

The ornamental design for a bicycle rack, as shown and described.

DESCRIPTION

FIG. 1 is a perspective view of a bicycle rack showing my new design;
FIG. 2 is another perspective view thereof;
FIG. 3 is a front elevational view thereof;
FIG. 4 is a rear elevational view thereof;
FIG. 5 is a left side elevational view thereof;
FIG. 6 is a right side elevational view thereof;
FIG. 7 is a top plan view thereof;
FIG. 8 is a bottom plan view thereof.
FIG. 9 is an enlarged partial view of a circle portion 9 of FIG. 1; and,
FIG. 10 is an enlarged partial view of a circle portion 10 of FIG. 2.

1 Claim, 10 Drawing Sheets



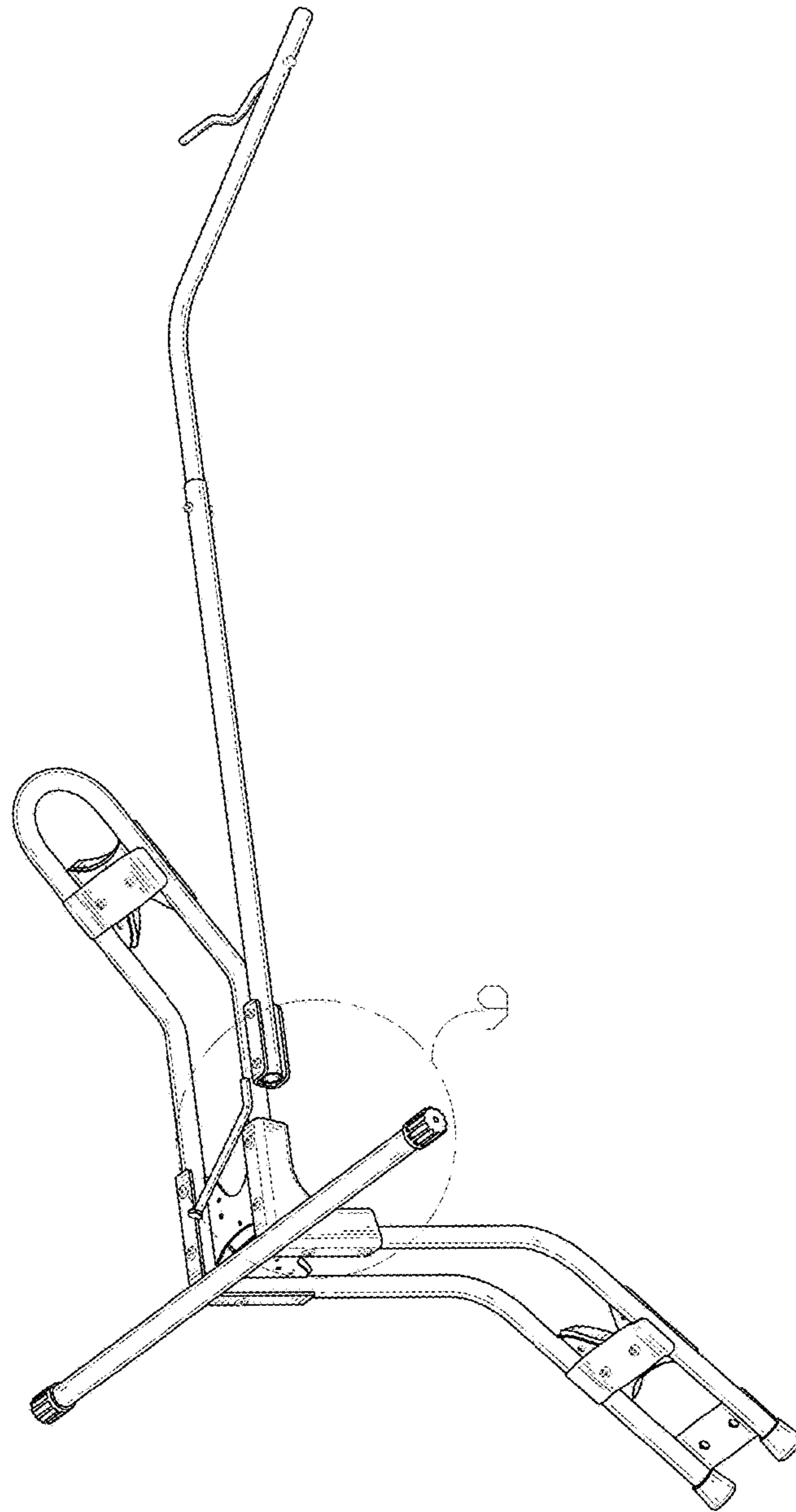


FIG. 1

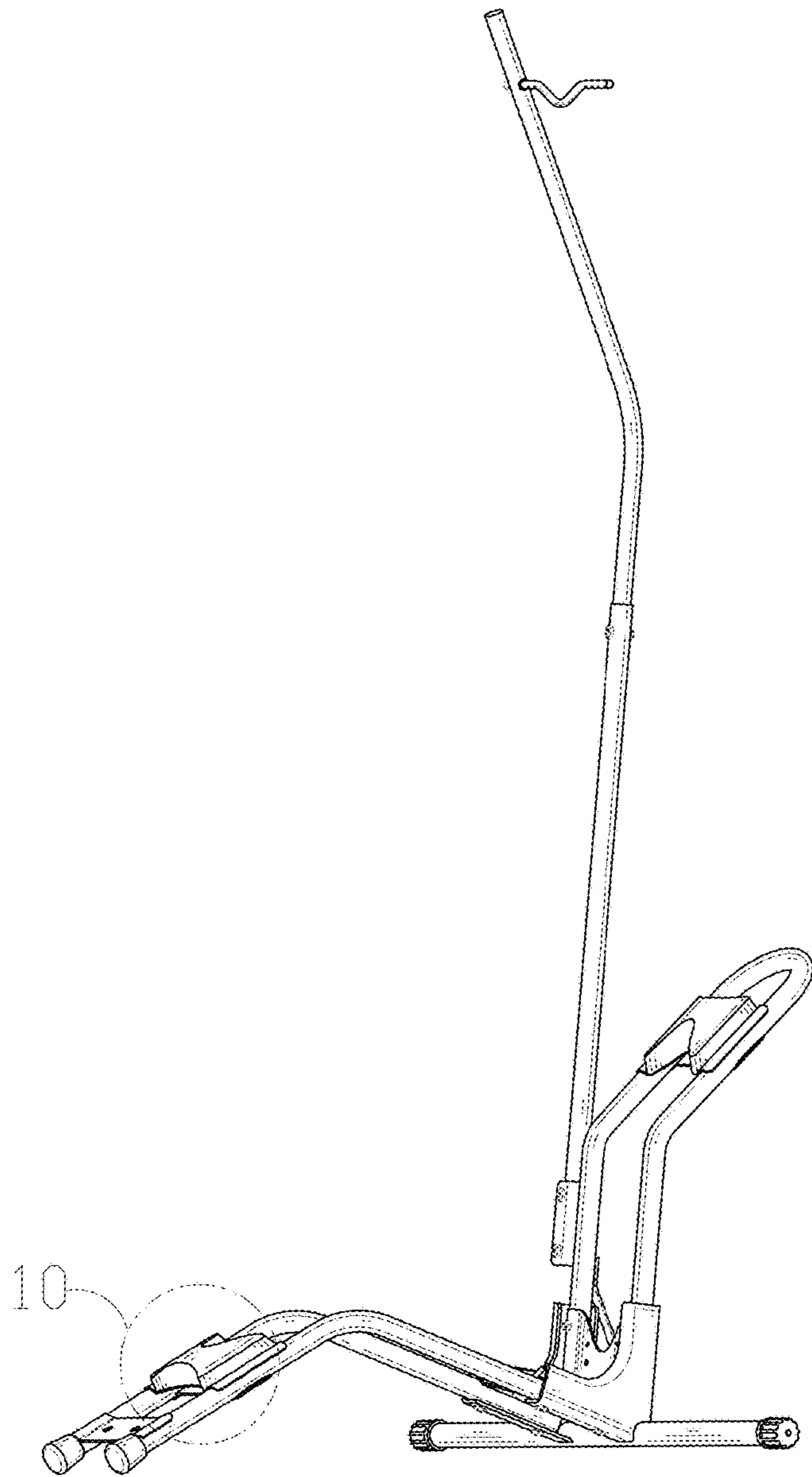


FIG. 2

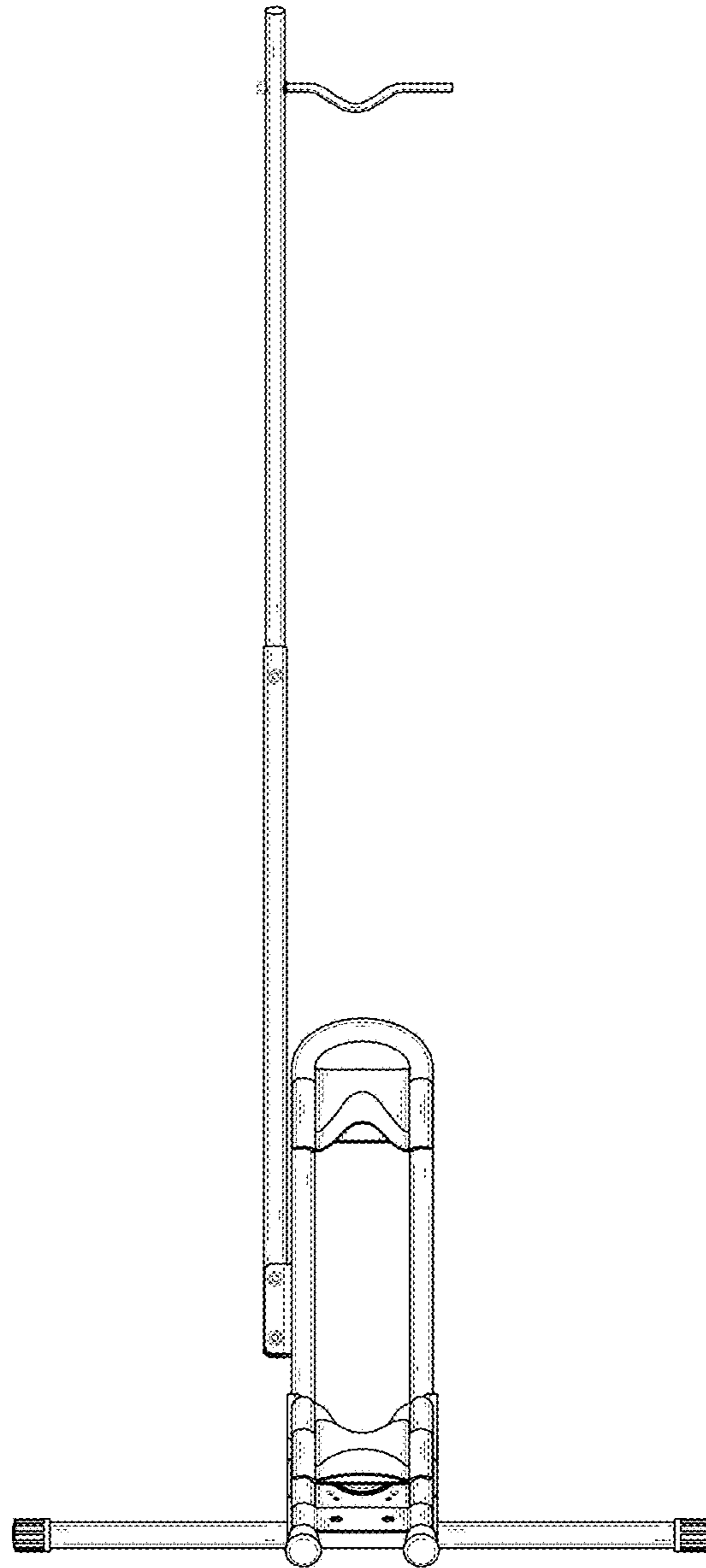


FIG. 3

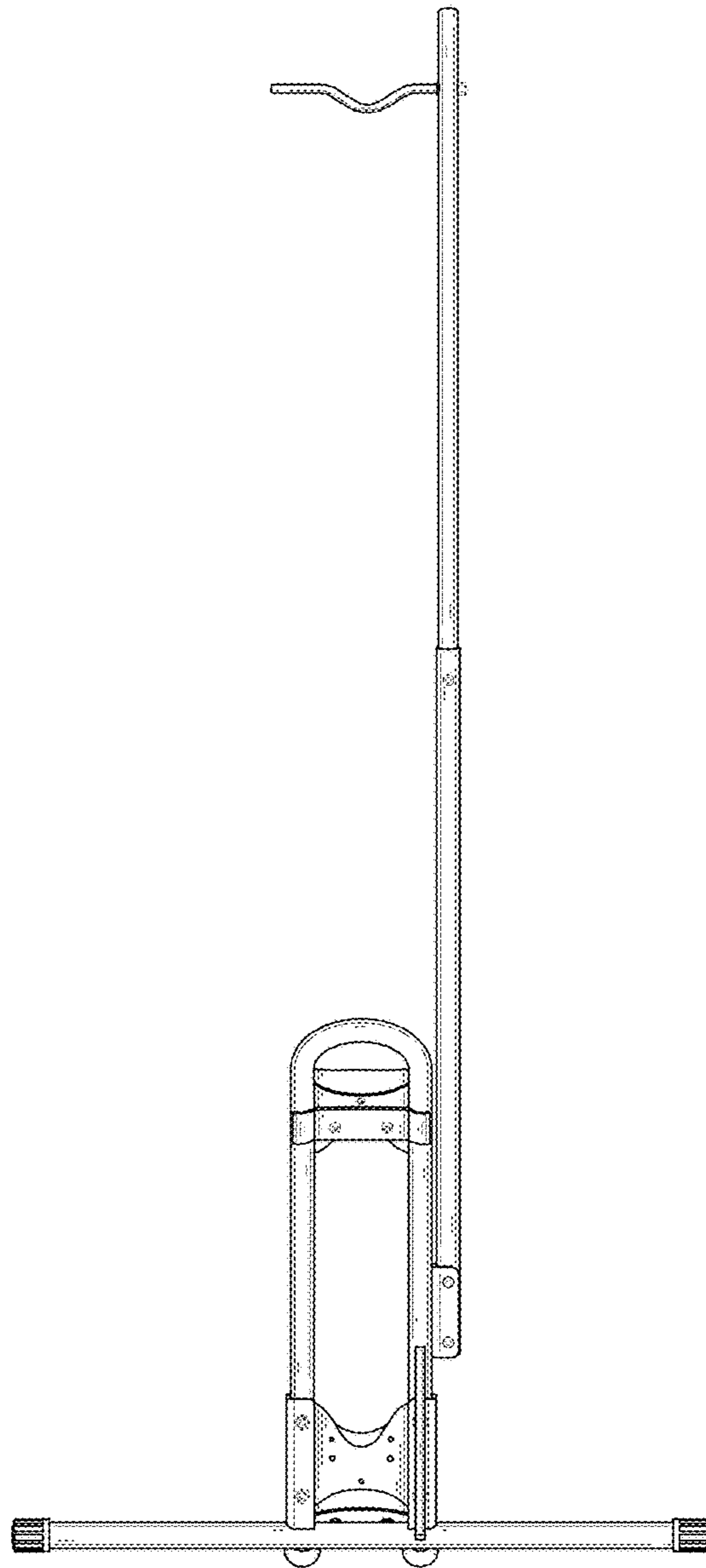


FIG. 4

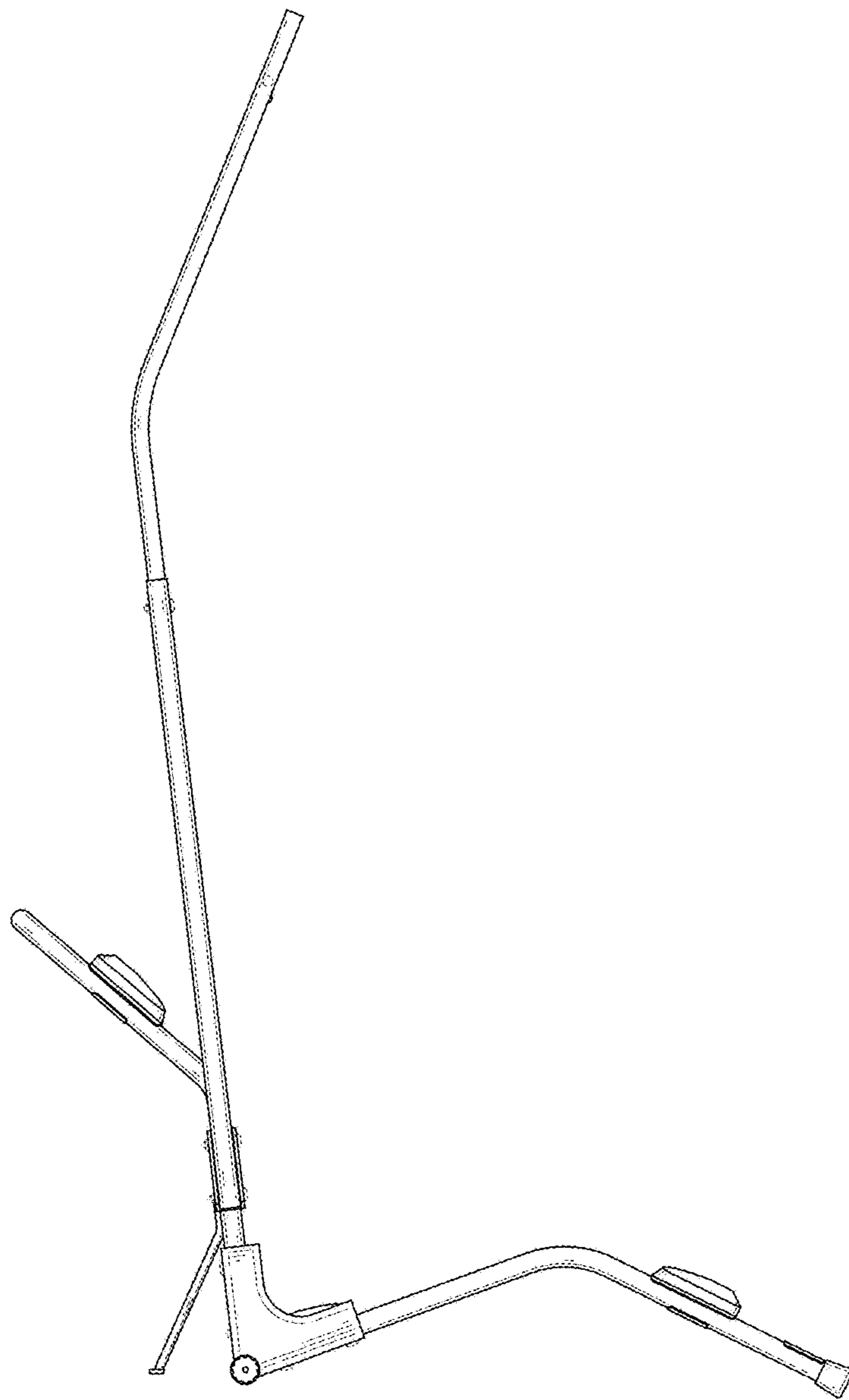


FIG. 5

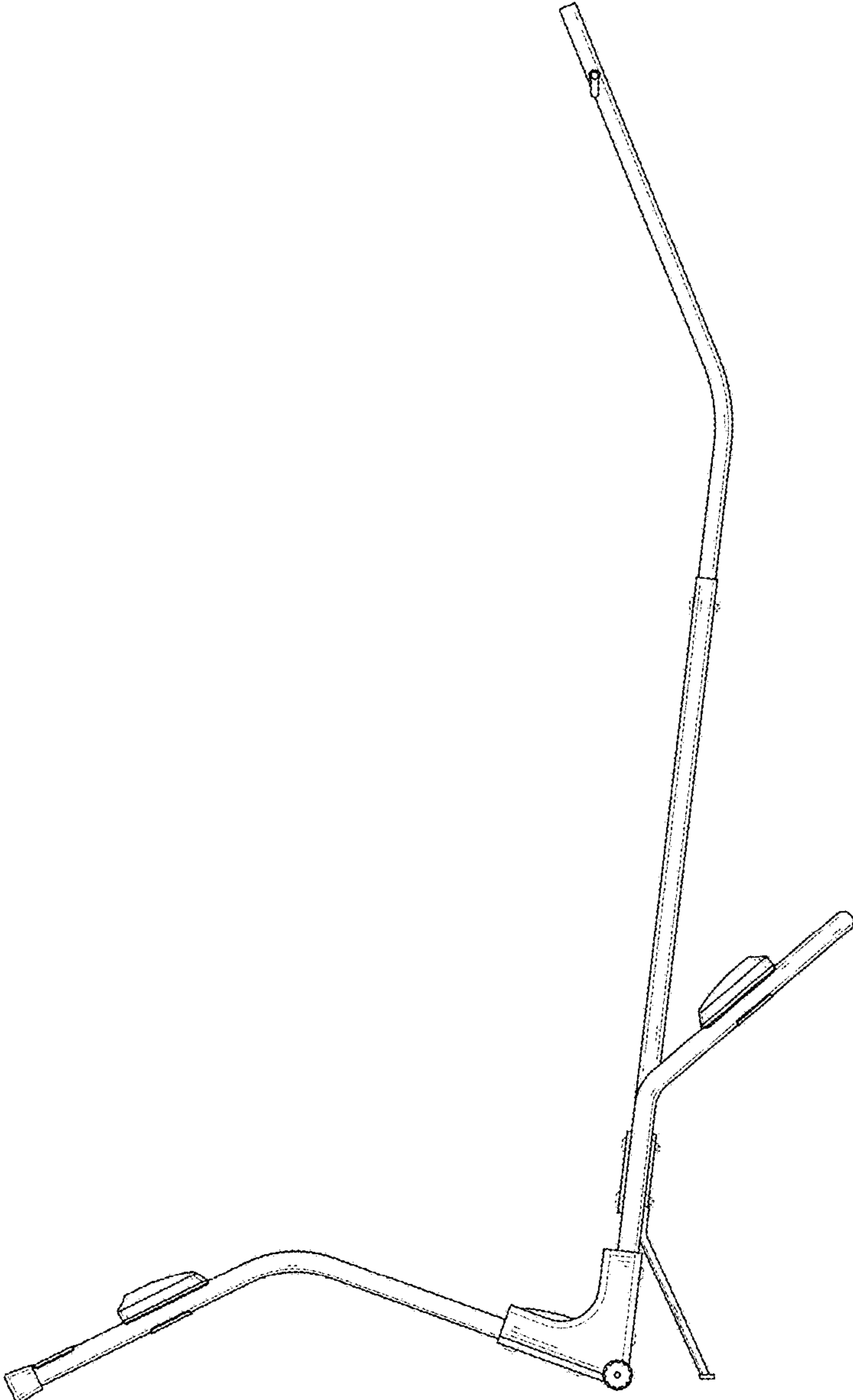


FIG. 6

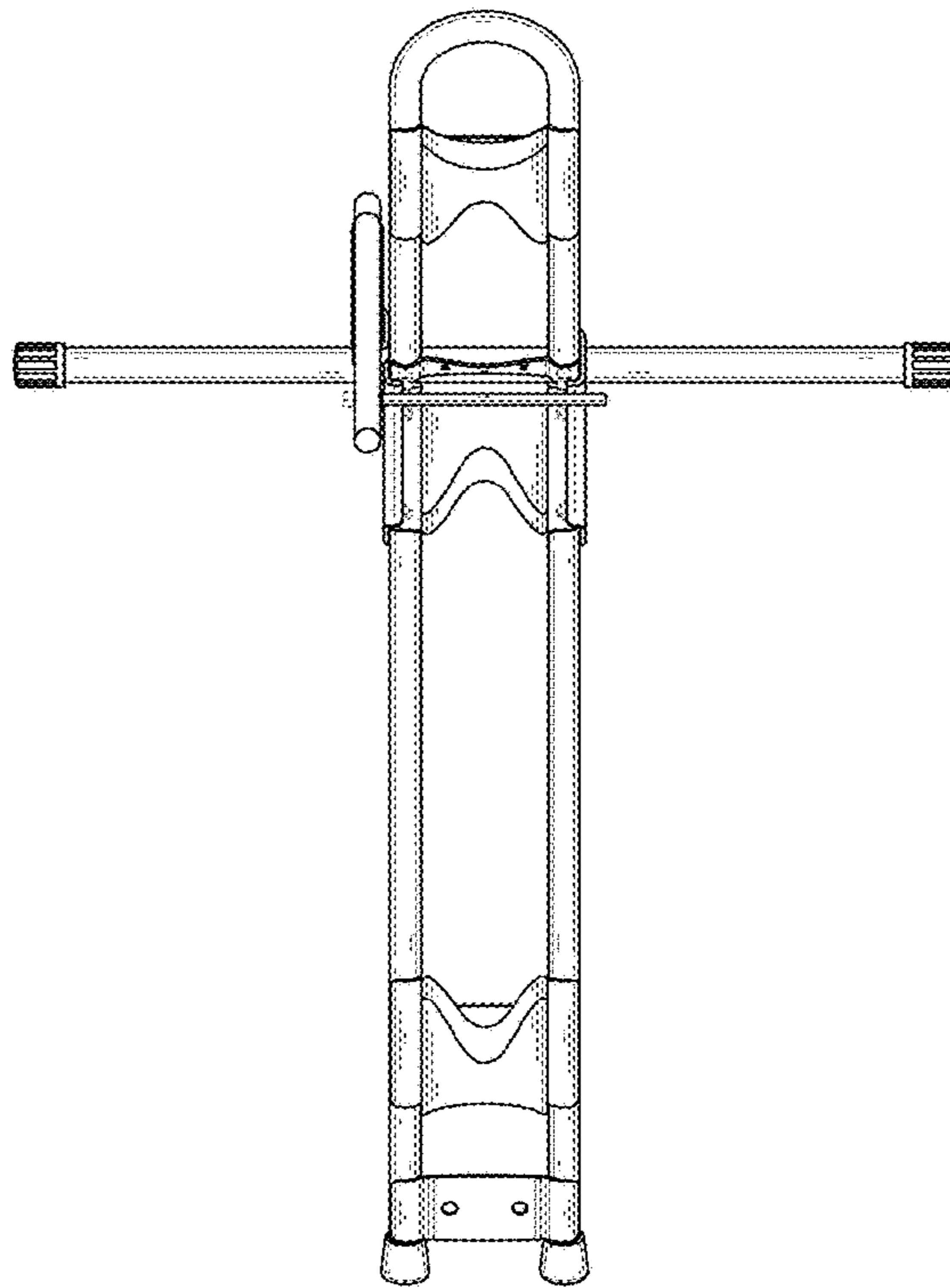


FIG. 7

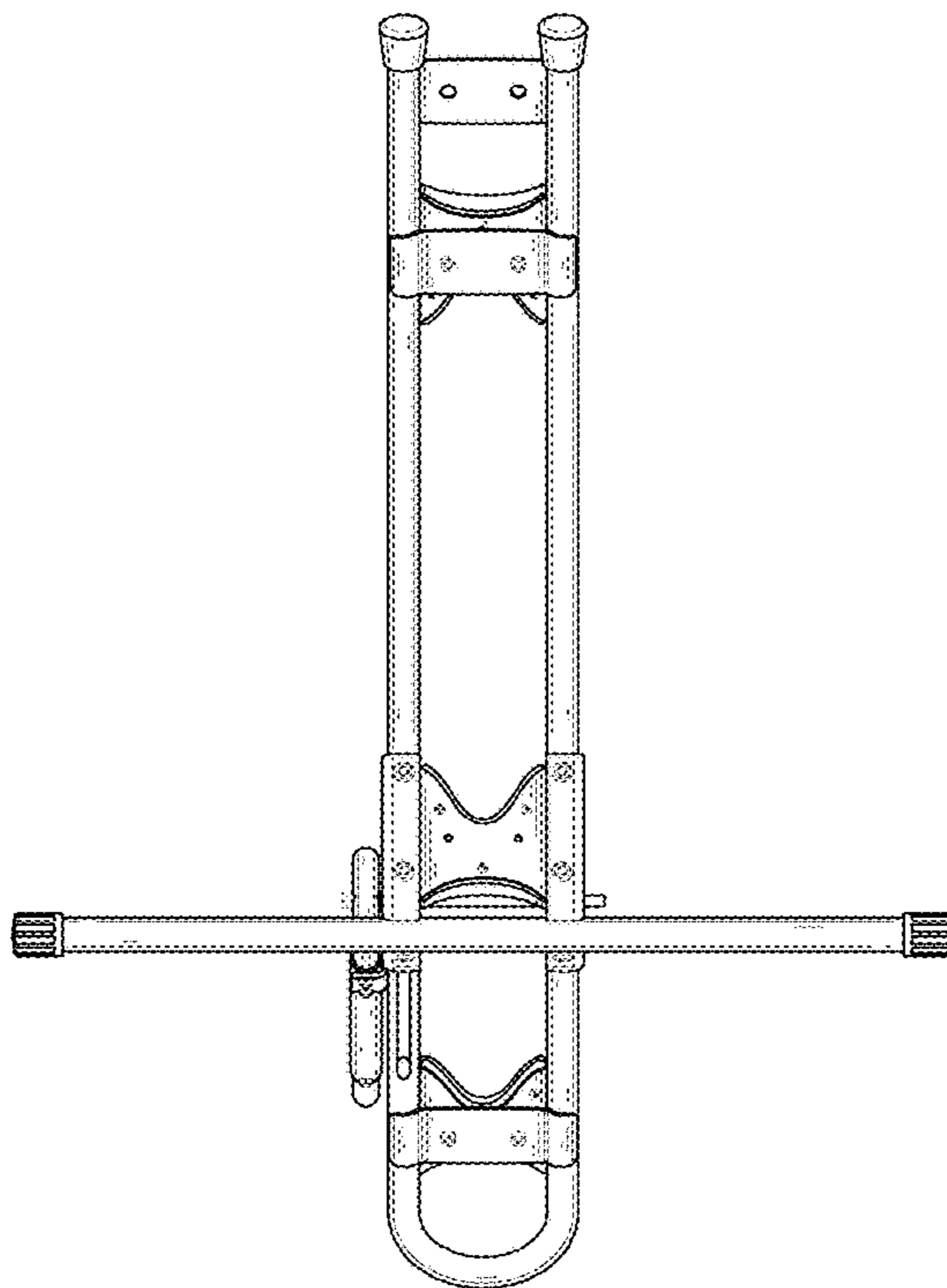


FIG. 8

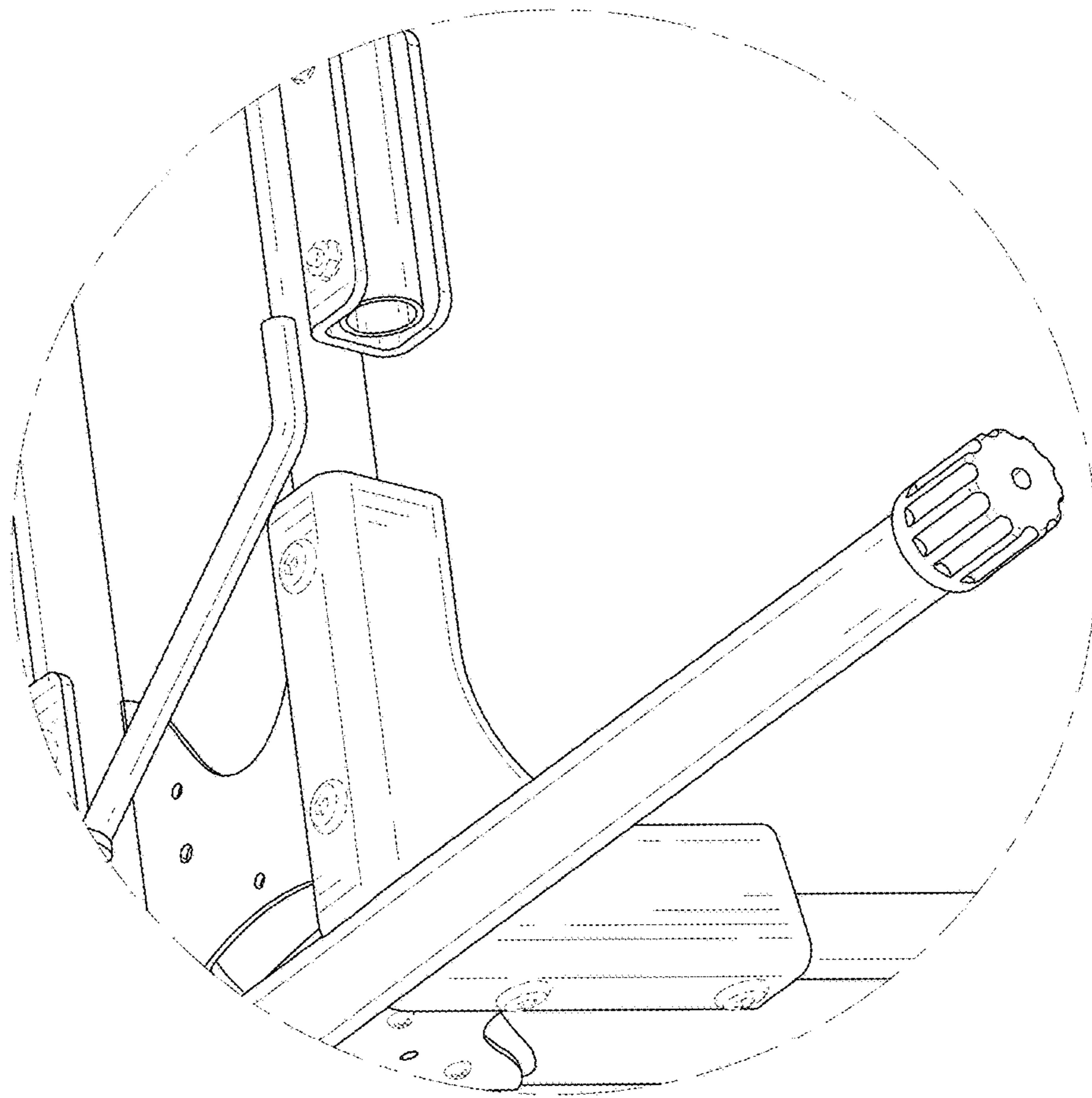


FIG. 9

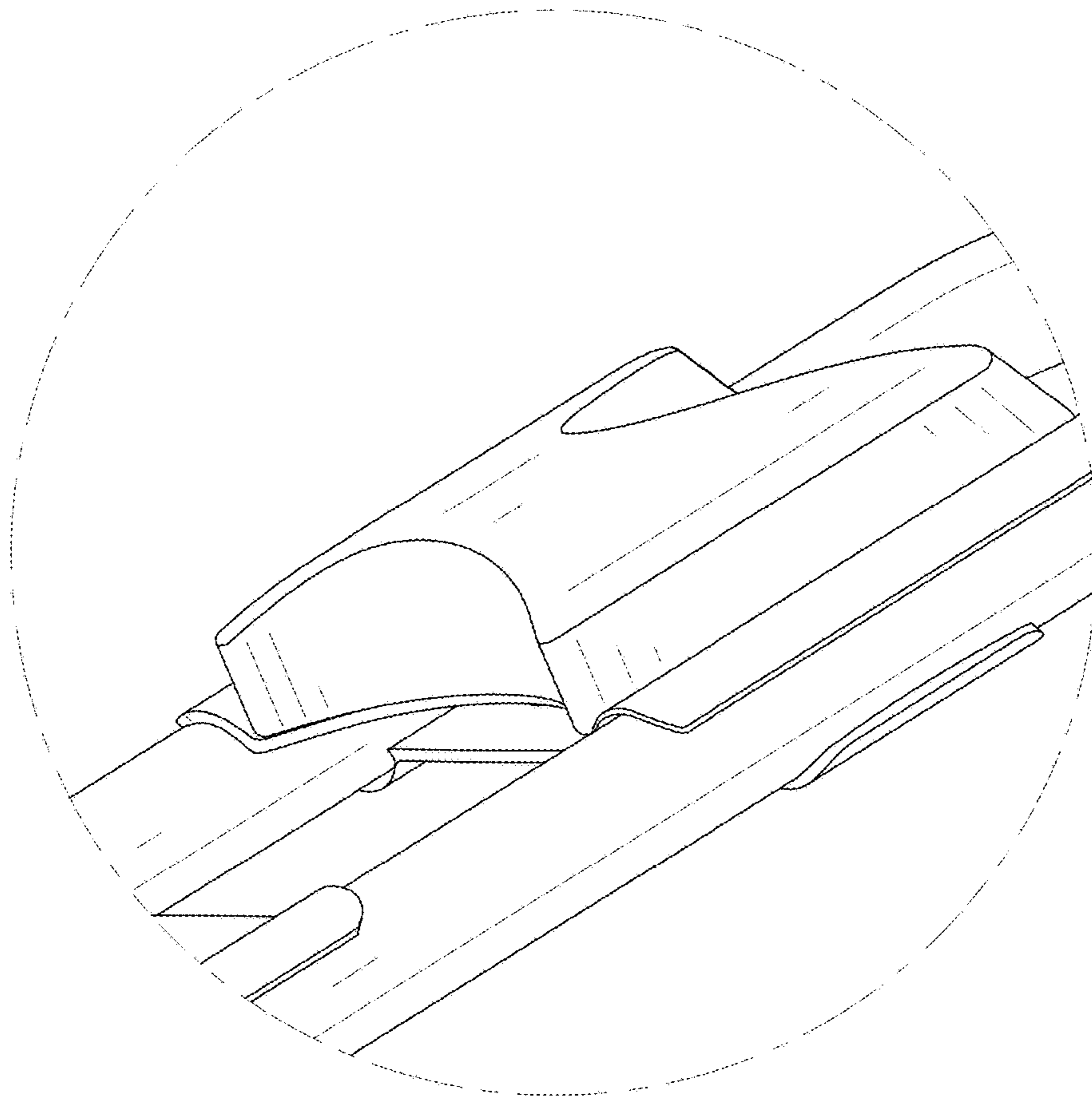


FIG. 10