



US00D855007S

(12) **United States Design Patent**  
**Hu et al.**

(10) **Patent No.:** **US D855,007 S**  
(45) **Date of Patent:** **\*\* Jul. 30, 2019**

(54) **AIRCRAFT**

(71) Applicant: **GUANGZHOU EHANG INTELLIGENT TECHNOLOGY CO., LTD.**, Guangzhou (CN)

(72) Inventors: **Huazhi Hu**, Guangzhou (CN);  
**Chunming Ma**, Guangzhou (CN)

(73) Assignee: **GUANGZHOU EHANG INTELLIGENT TECHNOLOGY CO., LTD.**, Guangzhou (CN)

(\*\*) Term: **15 Years**

(21) Appl. No.: **29/587,647**

(22) Filed: **Dec. 14, 2016**

(30) **Foreign Application Priority Data**

Aug. 12, 2016 (CN) ..... 2016 3 0385912

(51) **LOC (11) Cl.** ..... **12-07**

(52) **U.S. Cl.**  
USPC ..... **D12/328**

(58) **Field of Classification Search**  
USPC ..... D12/16.1, 319-345; D21/436, 438, 441,  
D21/442, 443, 444, 447, 448, 449, 450,  
D21/451, 452, 454

CPC ... B64C 29/00; B64C 2201/141; B64C 27/24;  
B64C 27/30; B64C 39/04; B64C 29/0033;  
B64C 29/0025

See application file for complete search history.

(56) **References Cited**

**U.S. PATENT DOCUMENTS**

D465,196 S \* 11/2002 Dammar ..... D12/328  
9,527,588 B1 \* 12/2016 Rollefstad ..... B64C 39/024

D780,062 S \* 2/2017 Wu ..... D12/16.1  
D785,541 S \* 5/2017 Du ..... D12/328  
D803,097 S \* 11/2017 Wang ..... D12/16.1  
2015/0266577 A1 \* 9/2015 Jones ..... G05D 1/102  
701/3  
2016/0001883 A1 \* 1/2016 Sanz ..... B64F 1/02  
244/17.23  
2016/0144954 A1 \* 5/2016 Daigle ..... B64C 39/024  
244/17.23  
2016/0313736 A1 \* 10/2016 Schultz ..... B64D 47/08  
2016/0340028 A1 \* 11/2016 Datta ..... B64C 39/024  
2016/0376014 A1 \* 12/2016 Alnafisah ..... B64C 39/024  
244/39

\* cited by examiner

*Primary Examiner* — Marissa J Cash

(74) *Attorney, Agent, or Firm* — Platinum Intellectual Property LLP

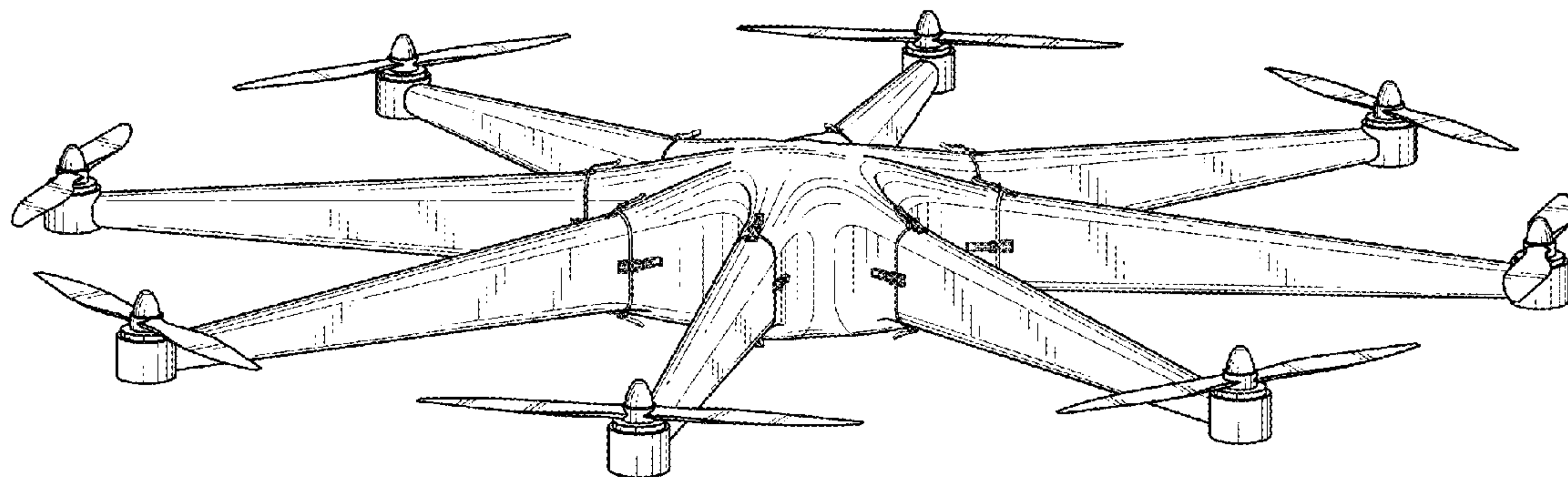
(57) **CLAIM**

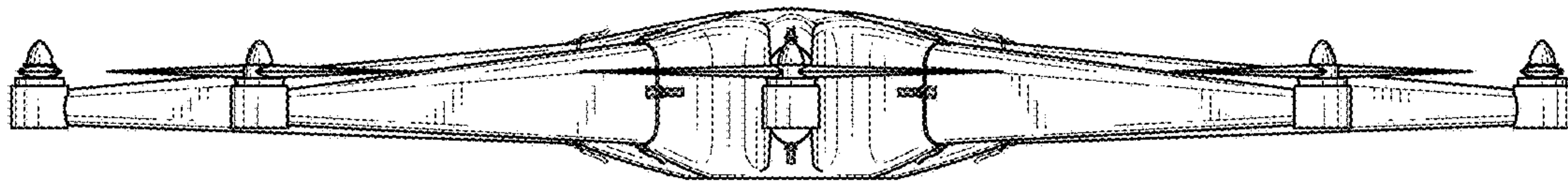
The ornamental design for an aircraft, as shown and described.

**DESCRIPTION**

FIG. 1 is a first-side elevational view of an aircraft according to the claimed design;  
FIG. 2 is a second-side elevational view thereof;  
FIG. 3 is a third-side elevational view thereof;  
FIG. 4 is a fourth-side elevational view thereof;  
FIG. 5 is a top plan view thereof;  
FIG. 6 is a bottom plan view thereof; and,  
FIG. 7 is a perspective view thereof.

**1 Claim, 7 Drawing Sheets**





*FIG. 1*

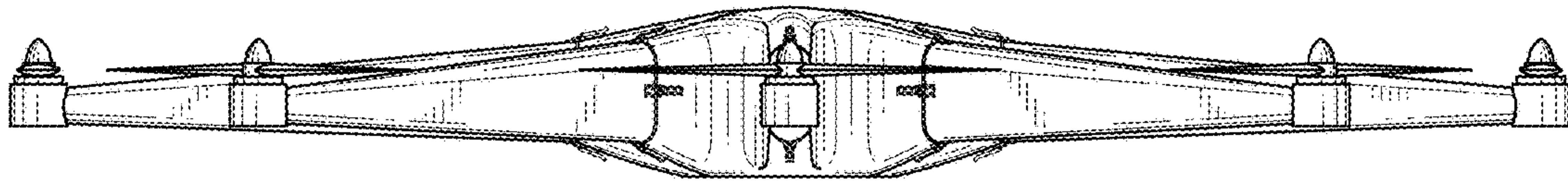


FIG. 2

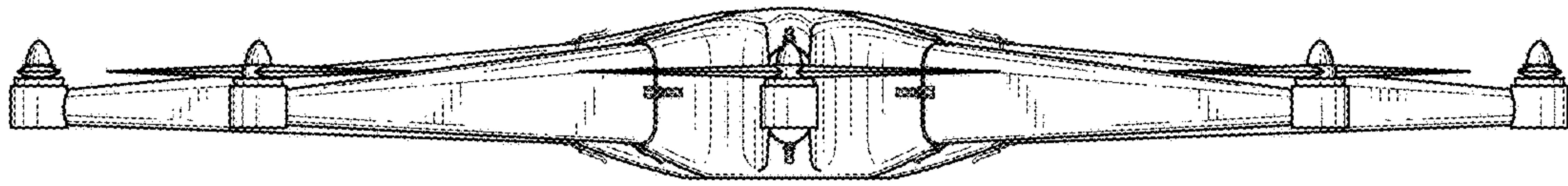


FIG. 3

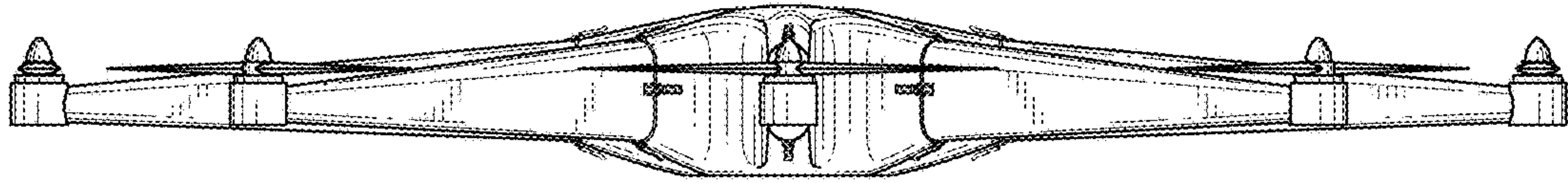


FIG. 4

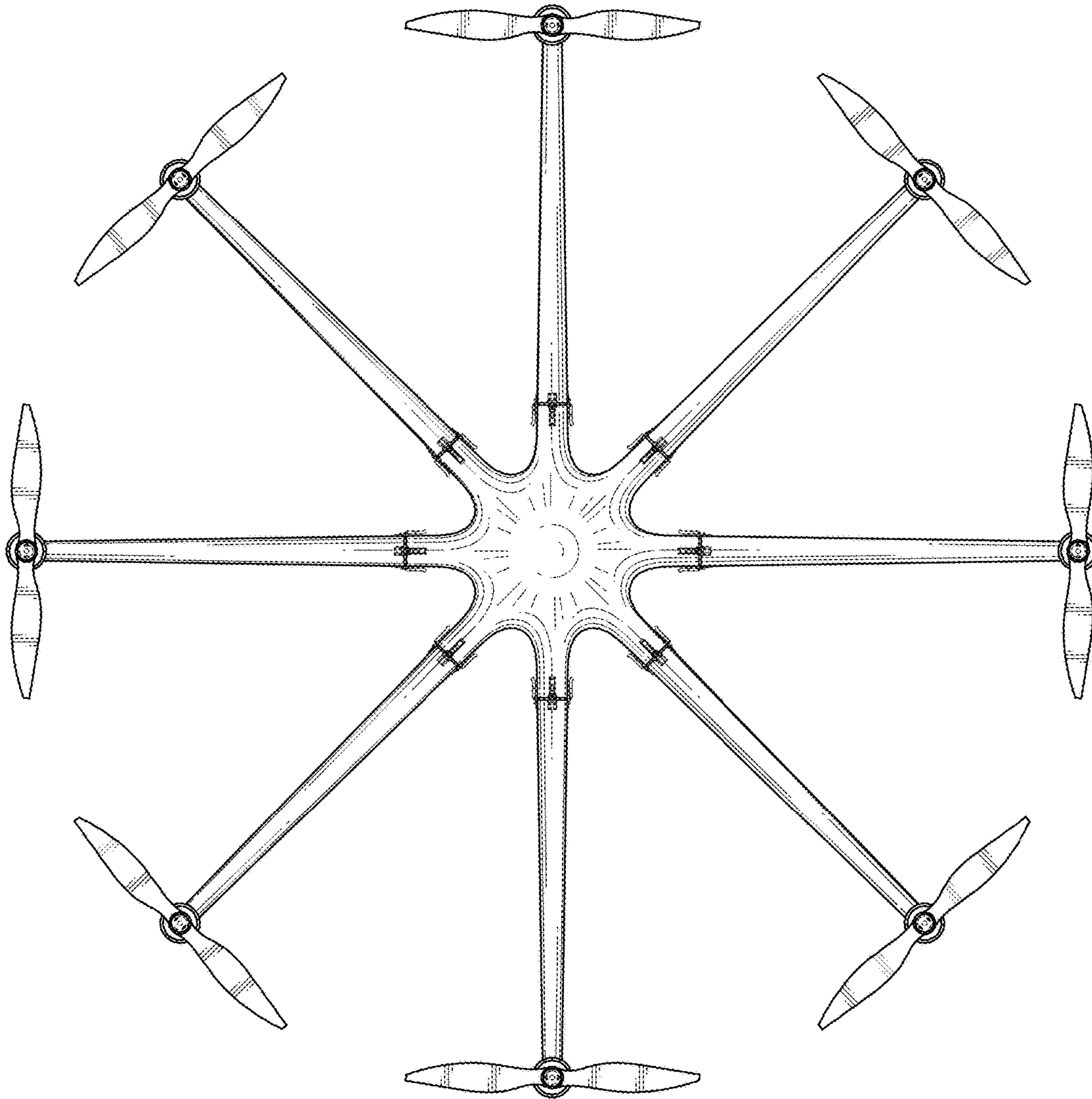


FIG. 5



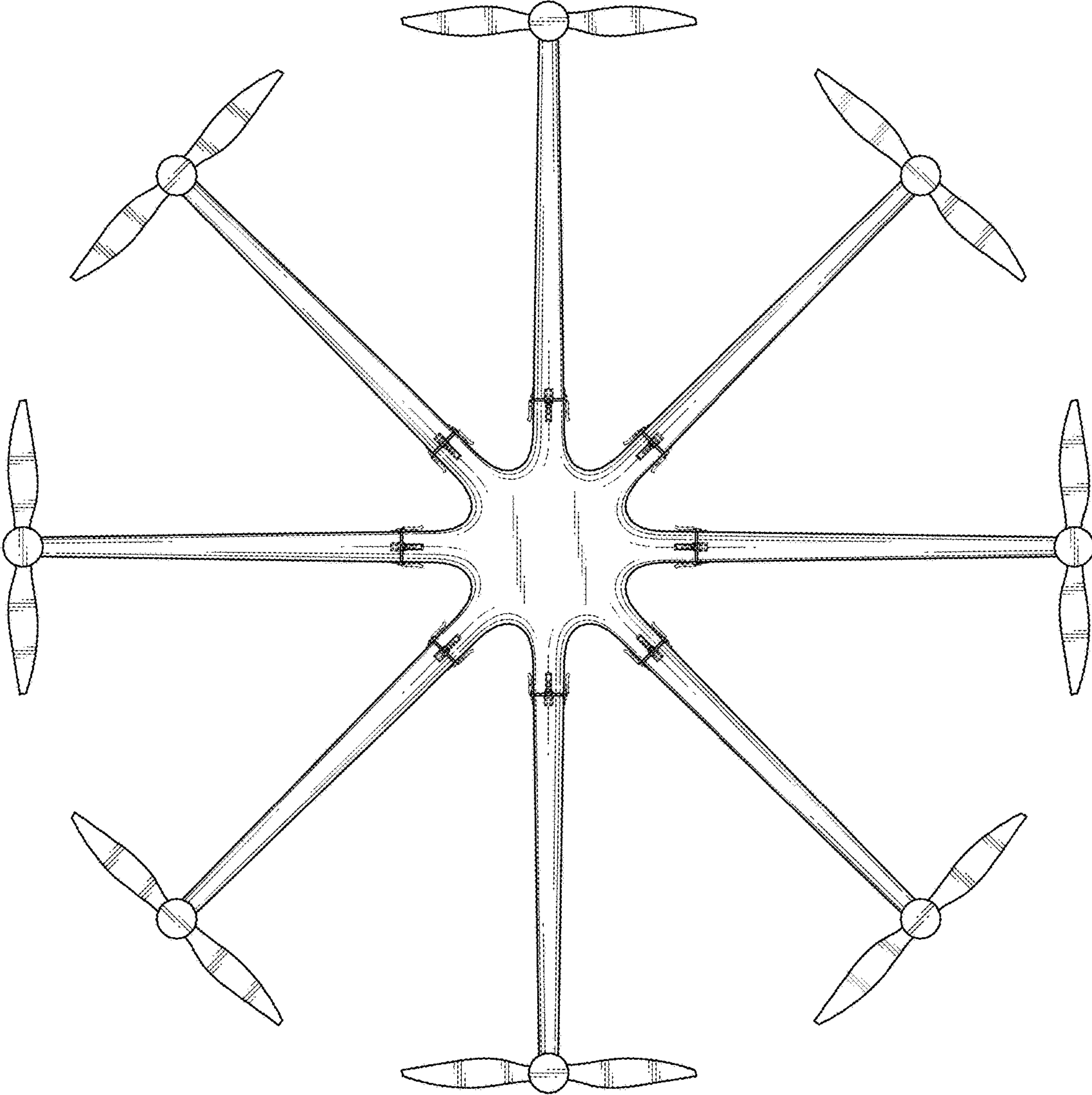


FIG. 6

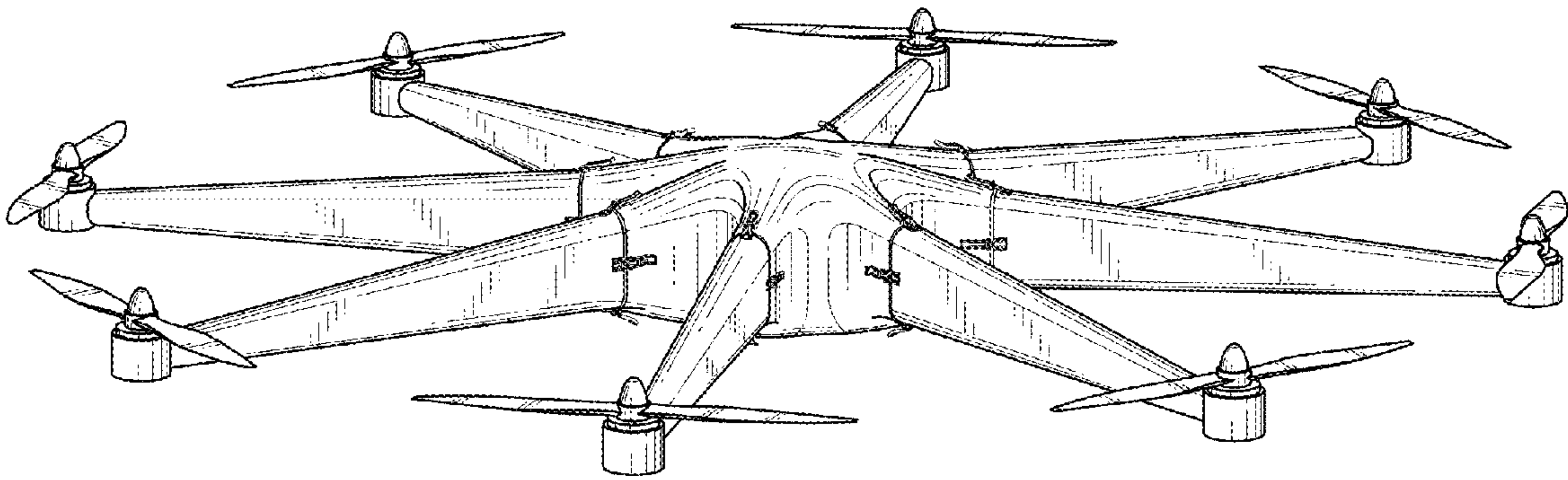


FIG. 7