



US00D855005S

(12) **United States Design Patent** (10) **Patent No.:** **US D855,005 S**  
**Delancey et al.** (45) **Date of Patent:** **\*\* Jul. 30, 2019**

(54) **CURVED WHEEL LEVELER**

(71) Applicants: **Zachary Ross Delancey**, Reidsville, NC (US); **Jacob Christopher Atwell**, Greensboro, NC (US); **David Michael Krawiec**, Greensboro, NC (US)

(72) Inventors: **Zachary Ross Delancey**, Reidsville, NC (US); **Jacob Christopher Atwell**, Greensboro, NC (US); **David Michael Krawiec**, Greensboro, NC (US)

(73) Assignee: **CAMCO MANUFACTURING, INC.**, Greensboro, NC (US)

(\*\*) Term: **15 Years**

(21) Appl. No.: **29/626,508**

(22) Filed: **Nov. 17, 2017**

(51) **LOC (11) Cl.** ..... **12-16**

(52) **U.S. Cl.**  
USPC ..... **D12/217**

(58) **Field of Classification Search**  
USPC ..... D12/217, 400; D34/32, 38; D25/113; D8/354  
See application file for complete search history.

(56) **References Cited**

U.S. PATENT DOCUMENTS

D282,459 S *	2/1986	Sauber	.....	D12/217
D493,408 S	7/2004	Chrisco et al.		
D502,139 S	2/2005	Chrisco et al.		
D503,139 S *	3/2005	Colak	.....	D12/217
D511,734 S *	11/2005	Moore	.....	D12/217
D524,222 S	7/2006	Chrisco et al.		
D531,568 S *	11/2006	Davidian	.....	D12/217
D577,651 S *	9/2008	Shaw	.....	D12/217
D594,398 S *	6/2009	Tai	.....	D12/217

(Continued)

Primary Examiner — Stacia A Cadmus

(74) *Attorney, Agent, or Firm* — Tuggle Duggins P.A.; Blake Hurt

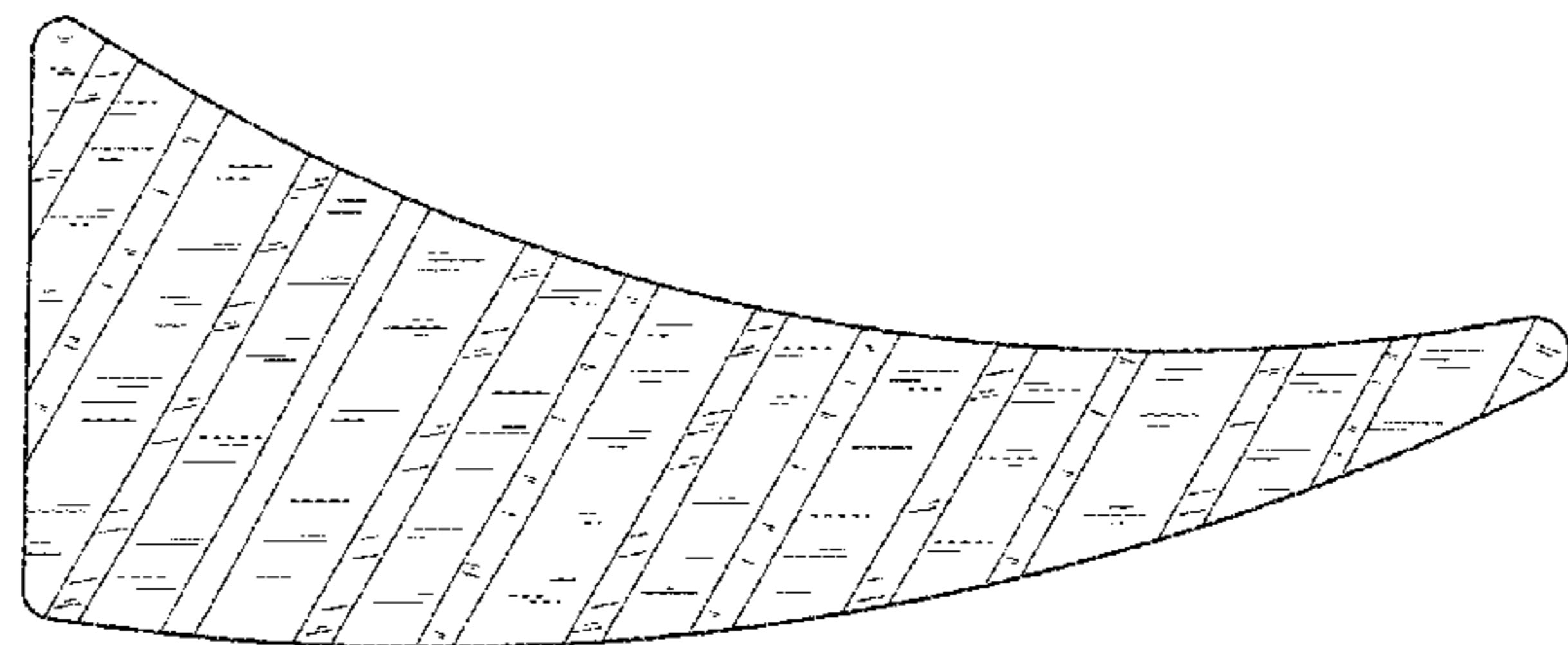
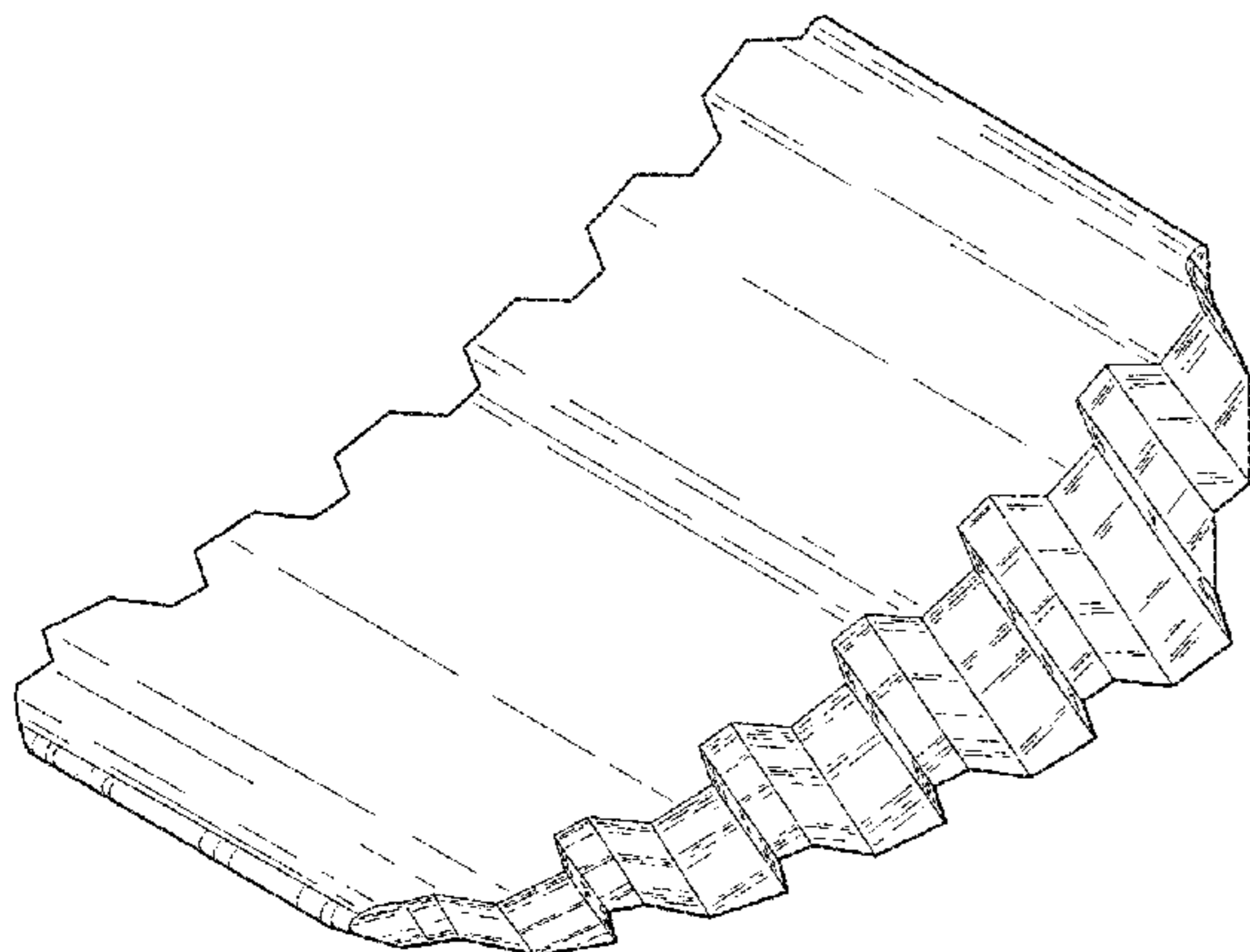
(57) **CLAIM**

The ornamental design for a curved wheel leveler, as shown and described.

**DESCRIPTION**

FIG. 1 is a top, front, right side perspective view of a curved wheel leveler showing our new design; FIG. 2 is a front elevational view thereof; FIG. 3 is a rear elevational view thereof; FIG. 4 is a top plan view thereof; FIG. 5 is a bottom plan view thereof; FIG. 6 is a left side elevational view thereof, the right side elevational view being a mirror image thereof; FIG. 7 bottom, front, right side perspective view thereof; FIG. 8 is a top, front, right side perspective view of a second embodiment of a curved wheel leveler, the dashed lines represent environmental structure only and form no part of the claimed design; FIG. 9 is a front elevational view thereof, the dashed lines represent environmental structure only and form no part of the claimed design; FIG. 10 is a rear elevational view thereof, the dashed lines represent environmental structure only and form no part of the claimed design; FIG. 11 is a top plan view thereof, the dashed lines represent environmental structure only and form no part of the claimed design; FIG. 12 is a bottom plan view thereof, the dashed lines represent environmental structure only and form no part of the claimed design; FIG. 13 is a left side elevational view thereof, the right side elevational view being a mirror image thereof; and, FIG. 14 bottom, front, right side perspective view thereof, the dashed lines represent environmental structure only and form no part of the claimed design.

**1 Claim, 14 Drawing Sheets**



(56)

**References Cited**

U.S. PATENT DOCUMENTS

D601,479	S	*	10/2009	Shaw	.....	D12/217
D646,614	S	*	10/2011	Brockington	.....	D12/217
D656,881	S	*	4/2012	Beranek	.....	D12/217
D656,882	S	*	4/2012	Beranek	.....	D12/217
D662,026	S	*	6/2012	Beranek	.....	D12/217
D673,106	S	*	12/2012	Rossman	.....	D12/217
D683,924	S	*	6/2013	Wolfenbarger	.....	D12/217
D720,278	S	*	12/2014	Pinkall	.....	D12/217
D809,988	S	*	2/2018	Angel	.....	D12/217
D830,280	S	*	10/2018	Erickson	.....	D12/217

\* cited by examiner

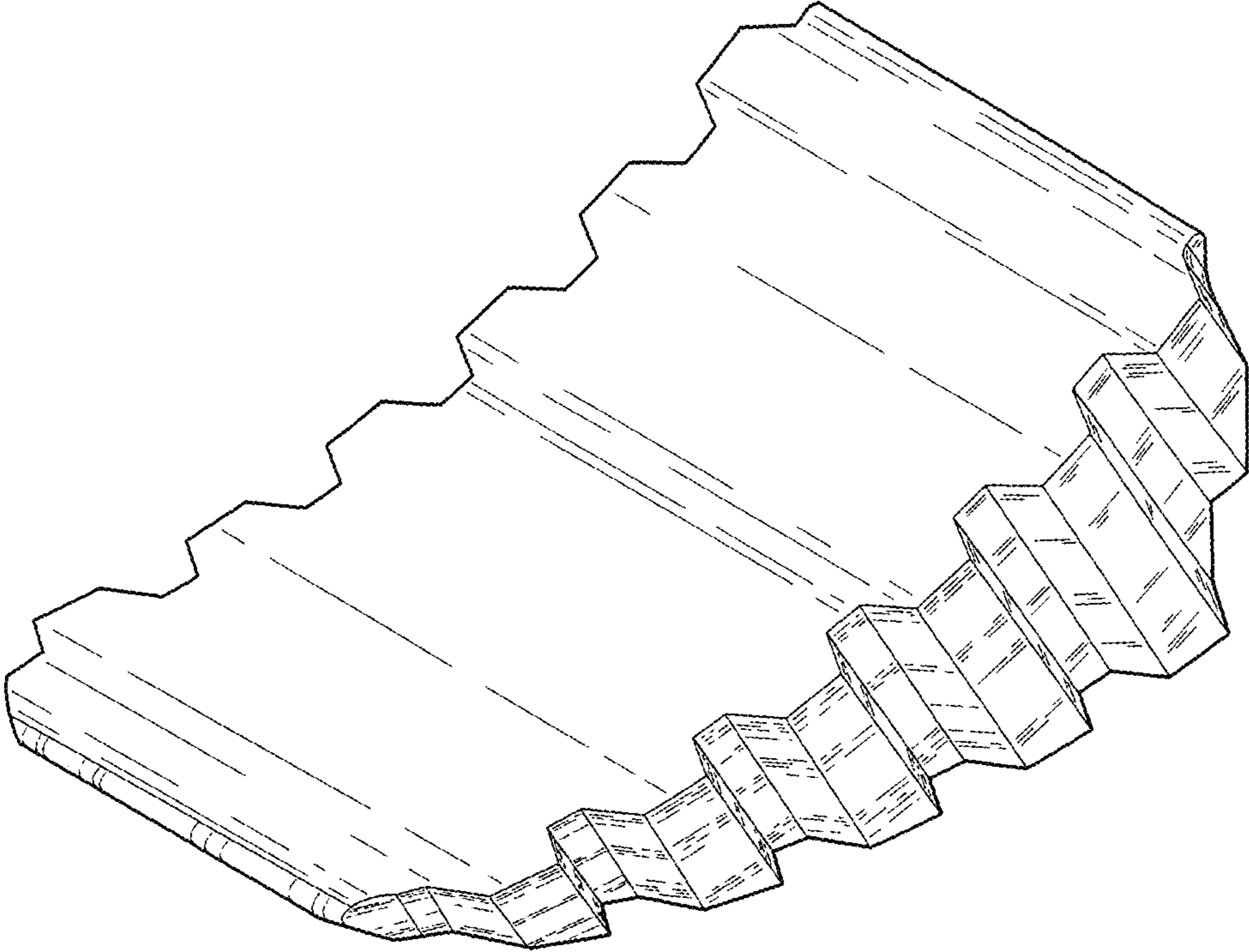


Fig. 1

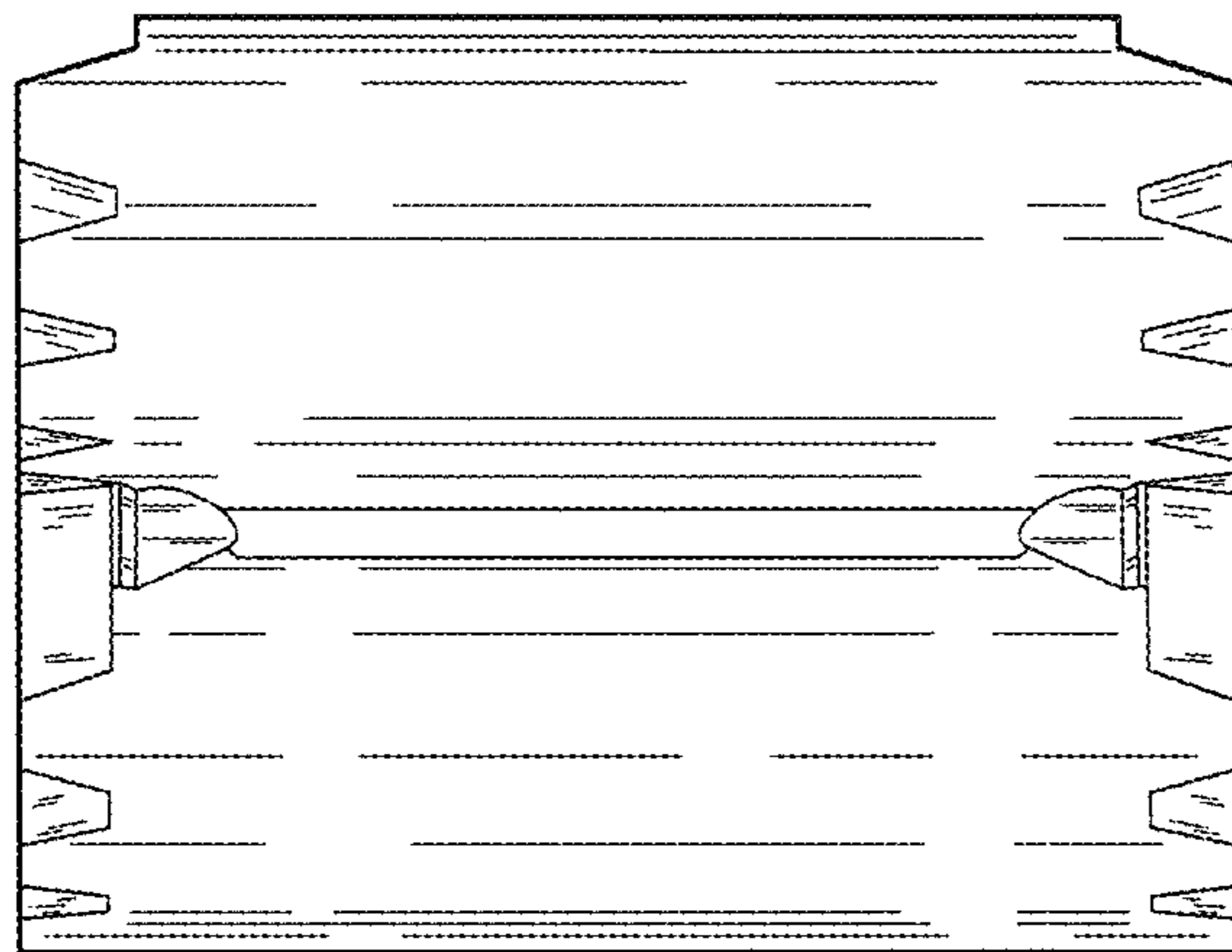


Fig. 2

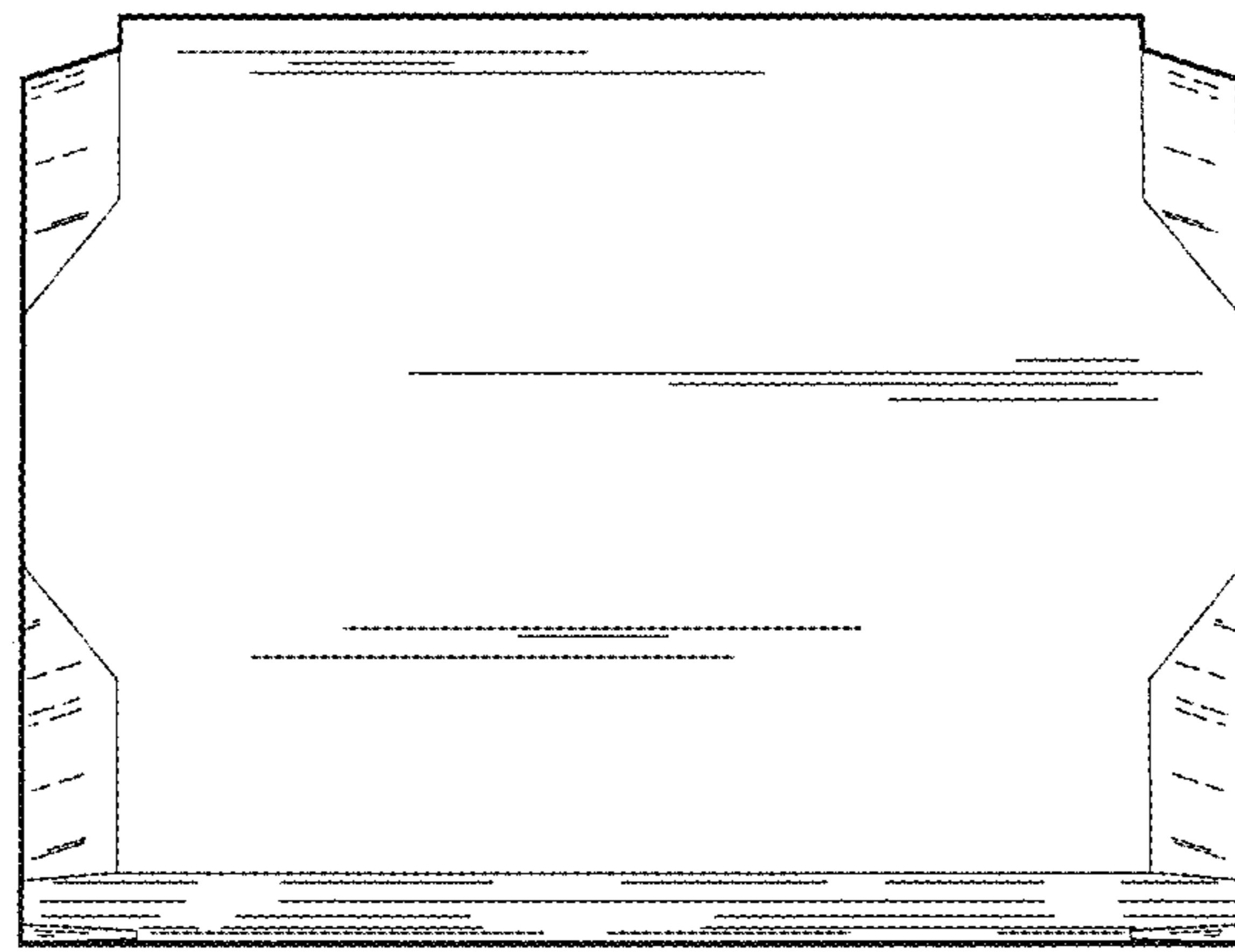


Fig. 3

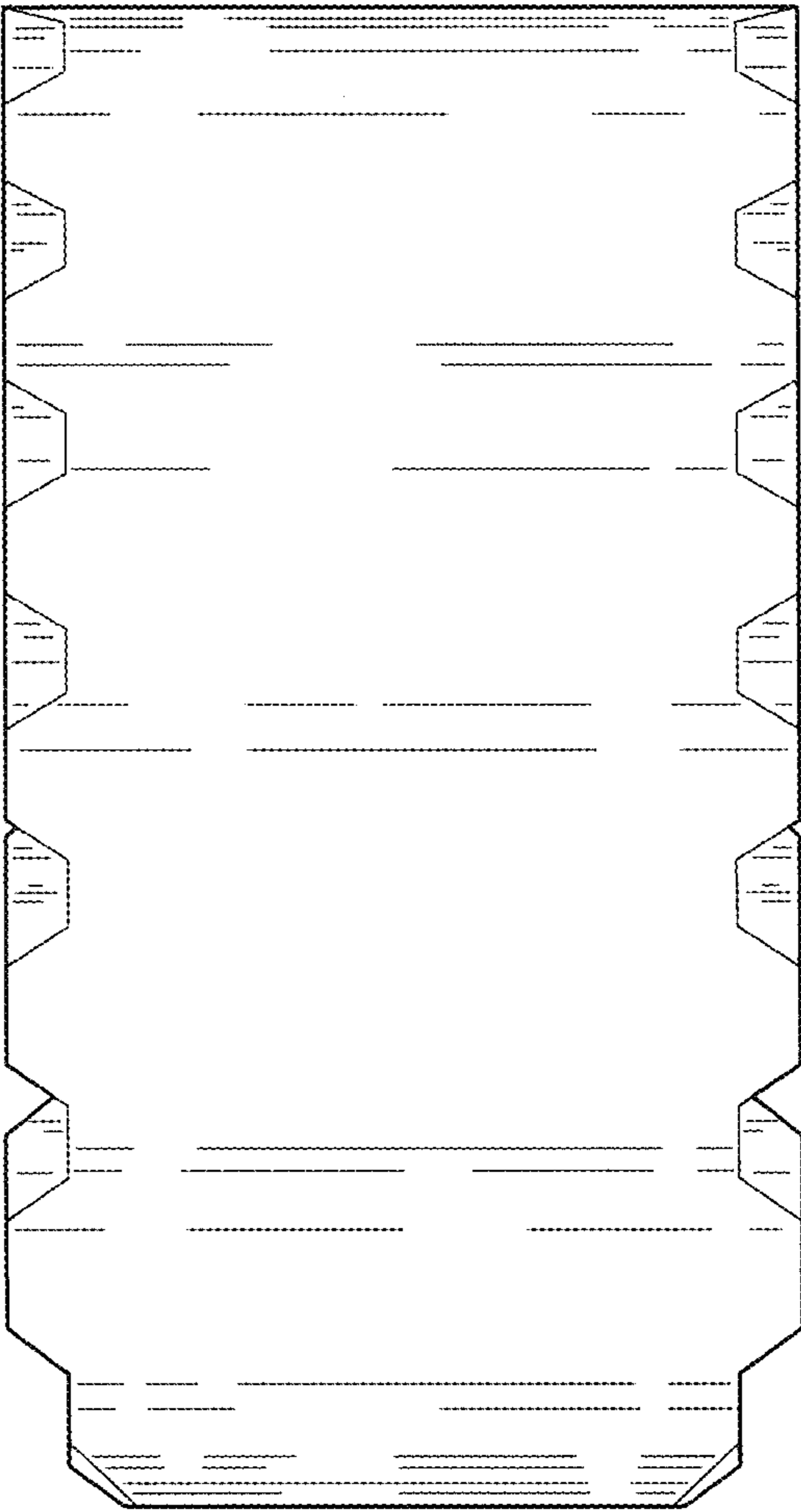


Fig. 4

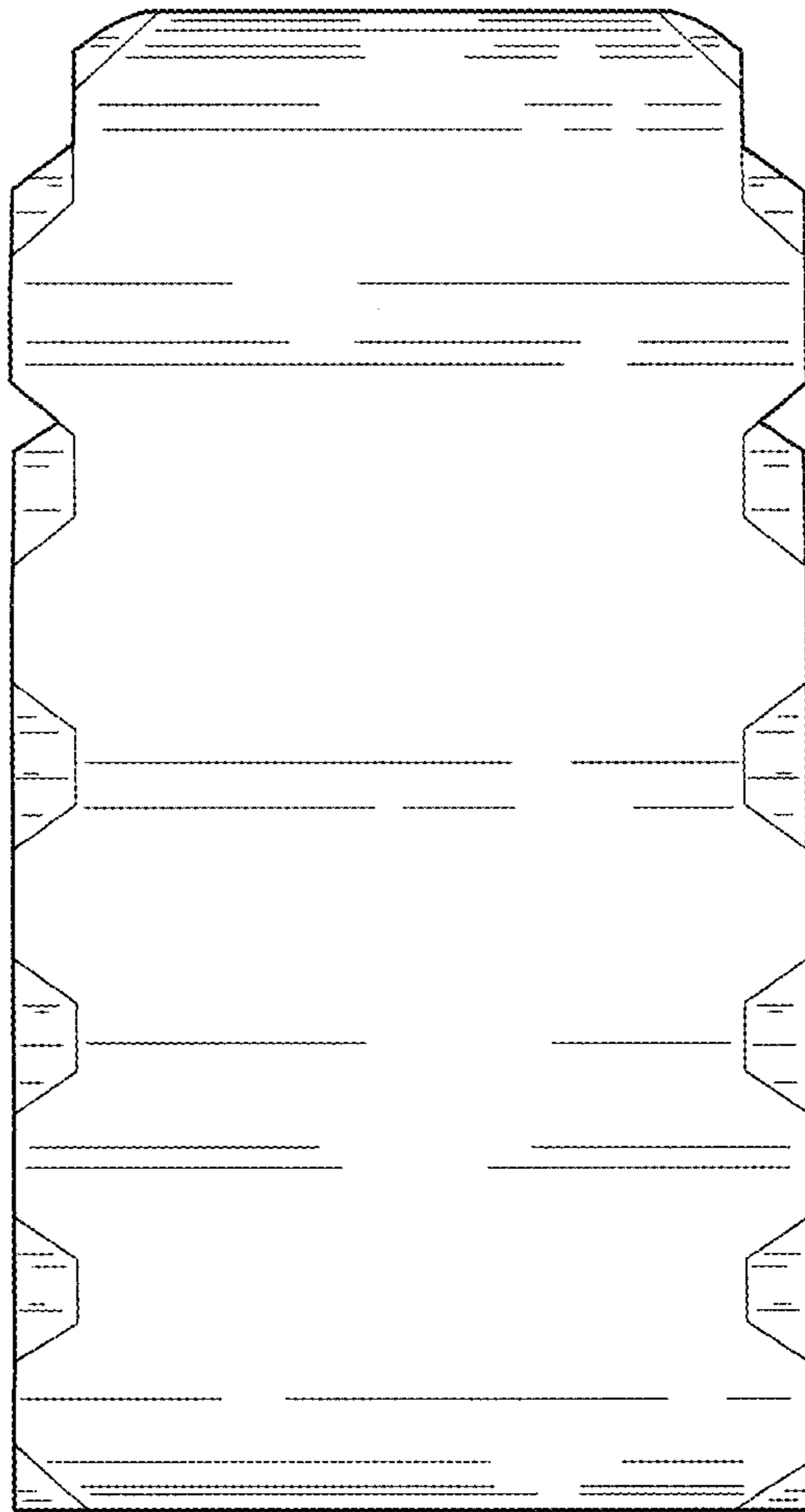


Fig. 5

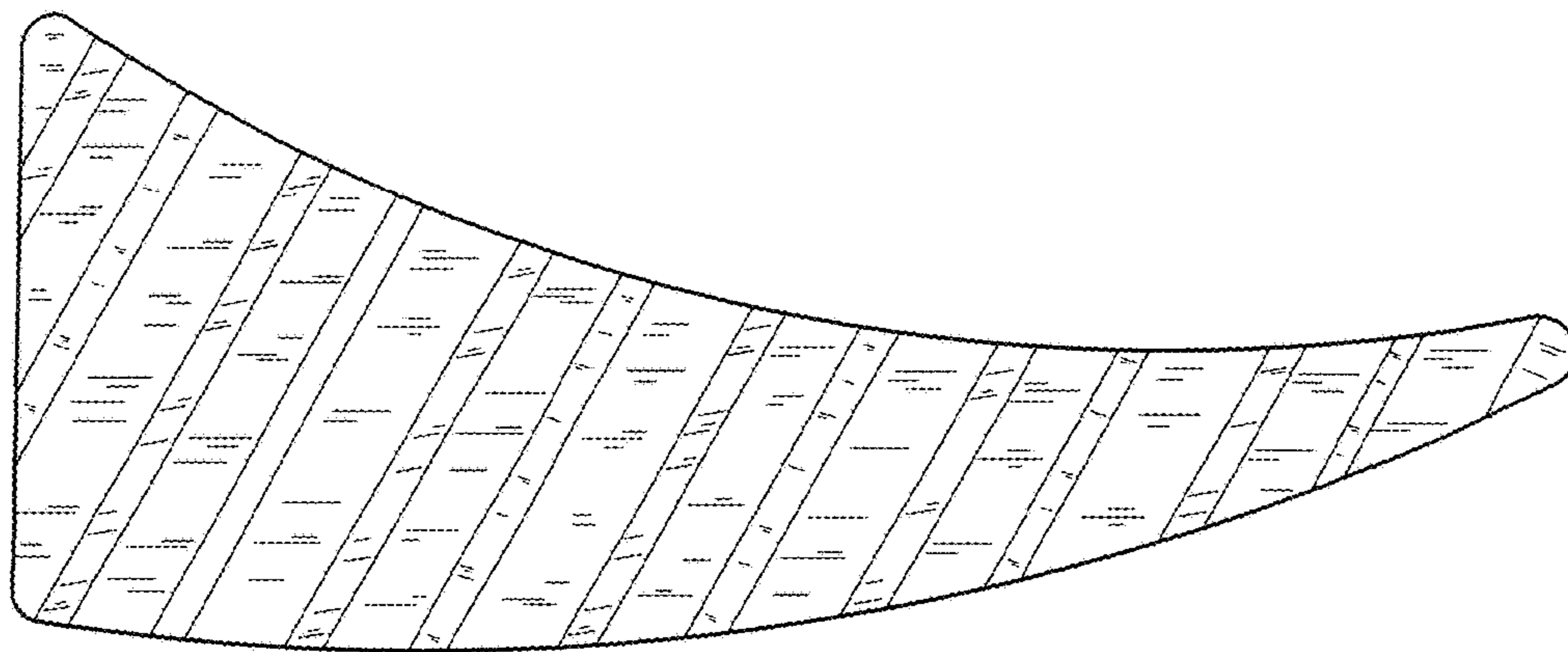


Fig. 6



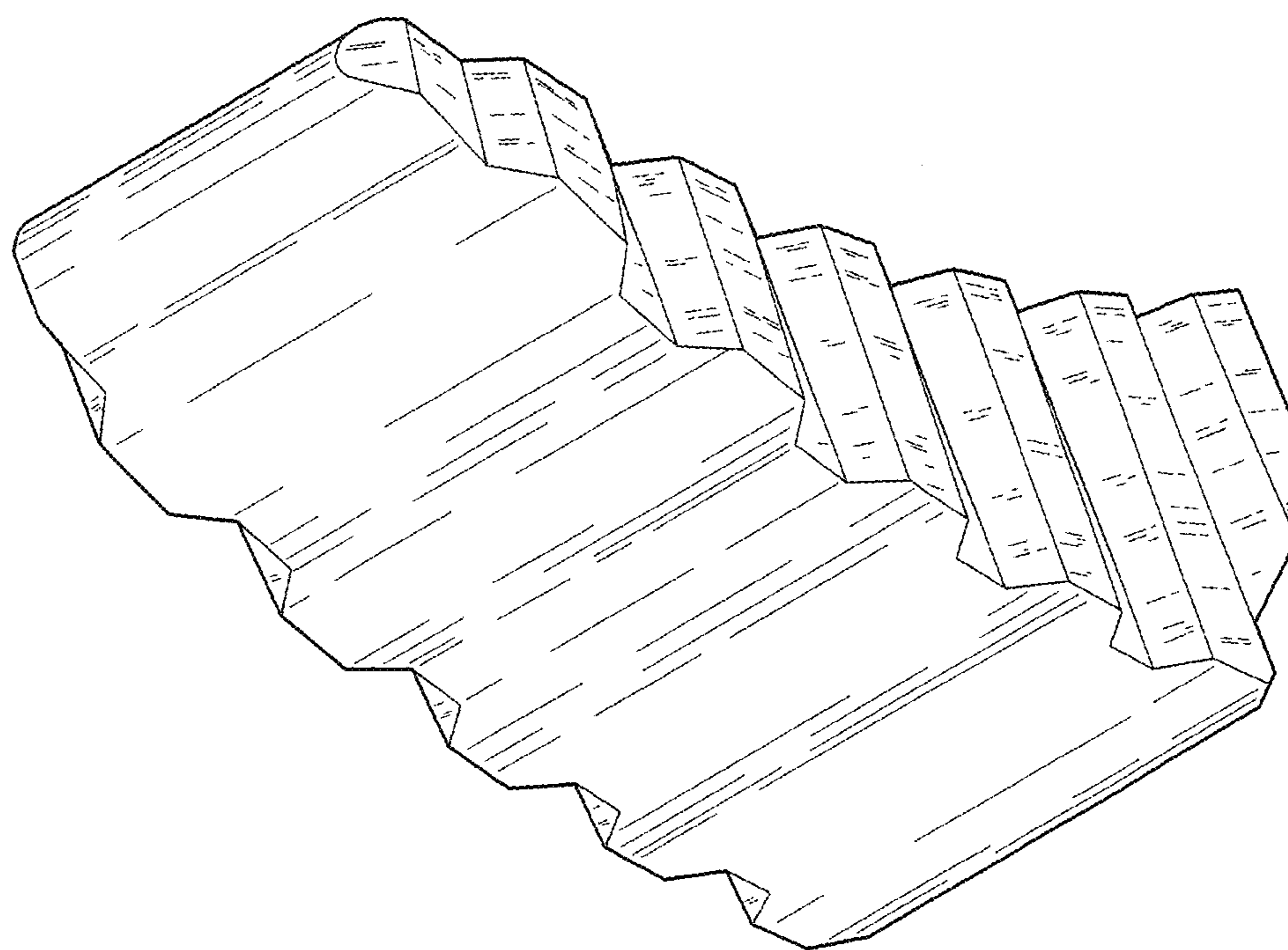


Fig. 7

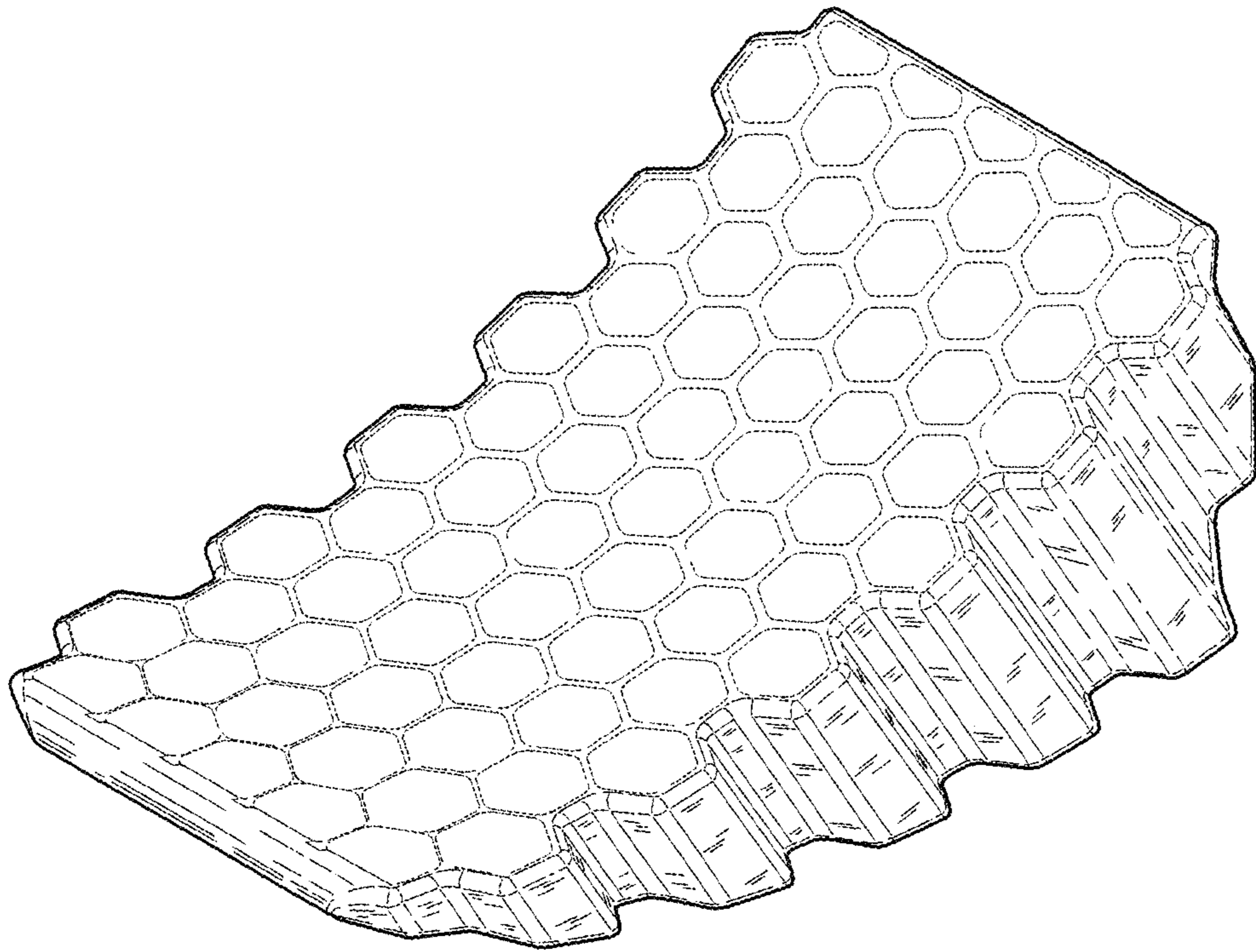


Fig. 8

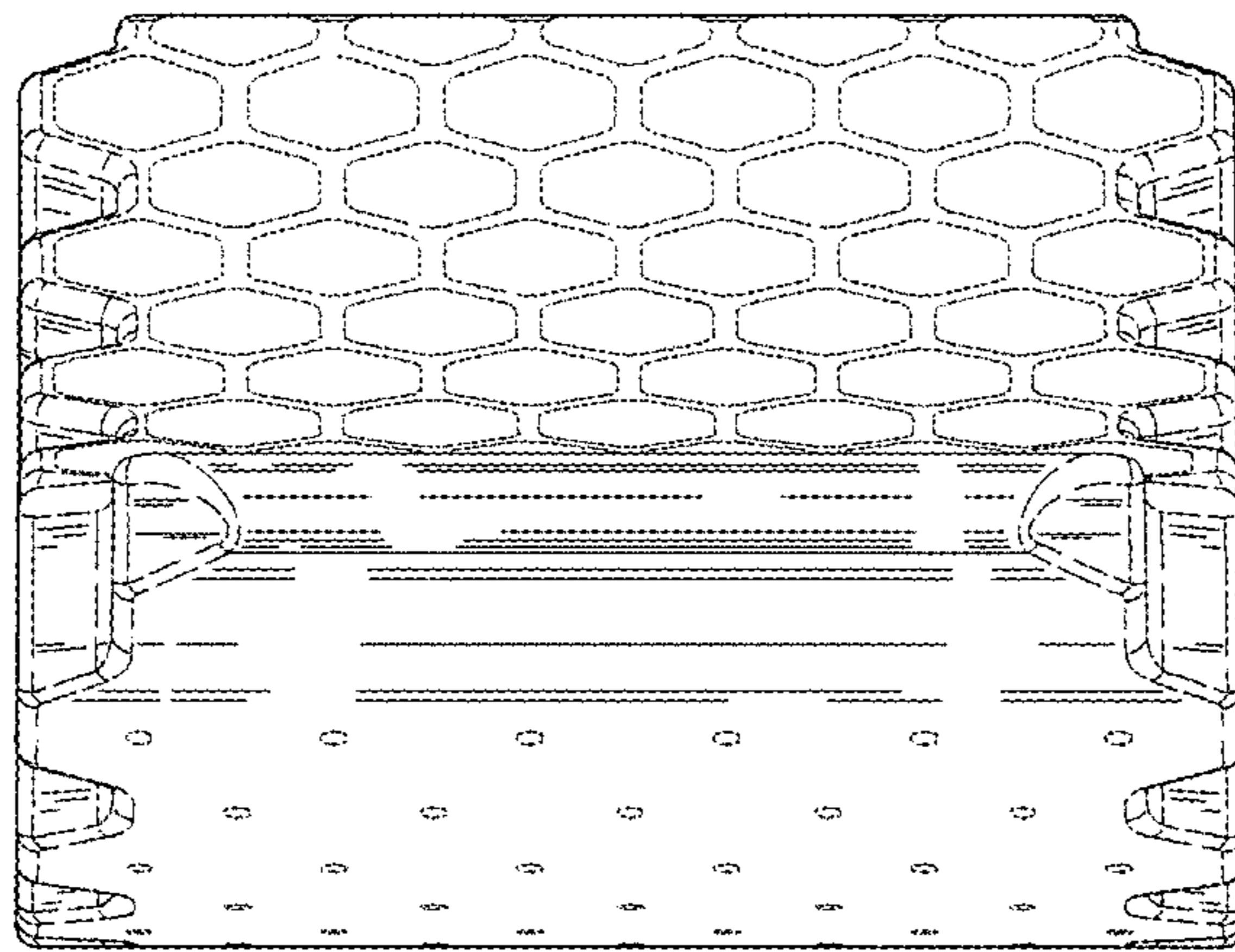


Fig. 9

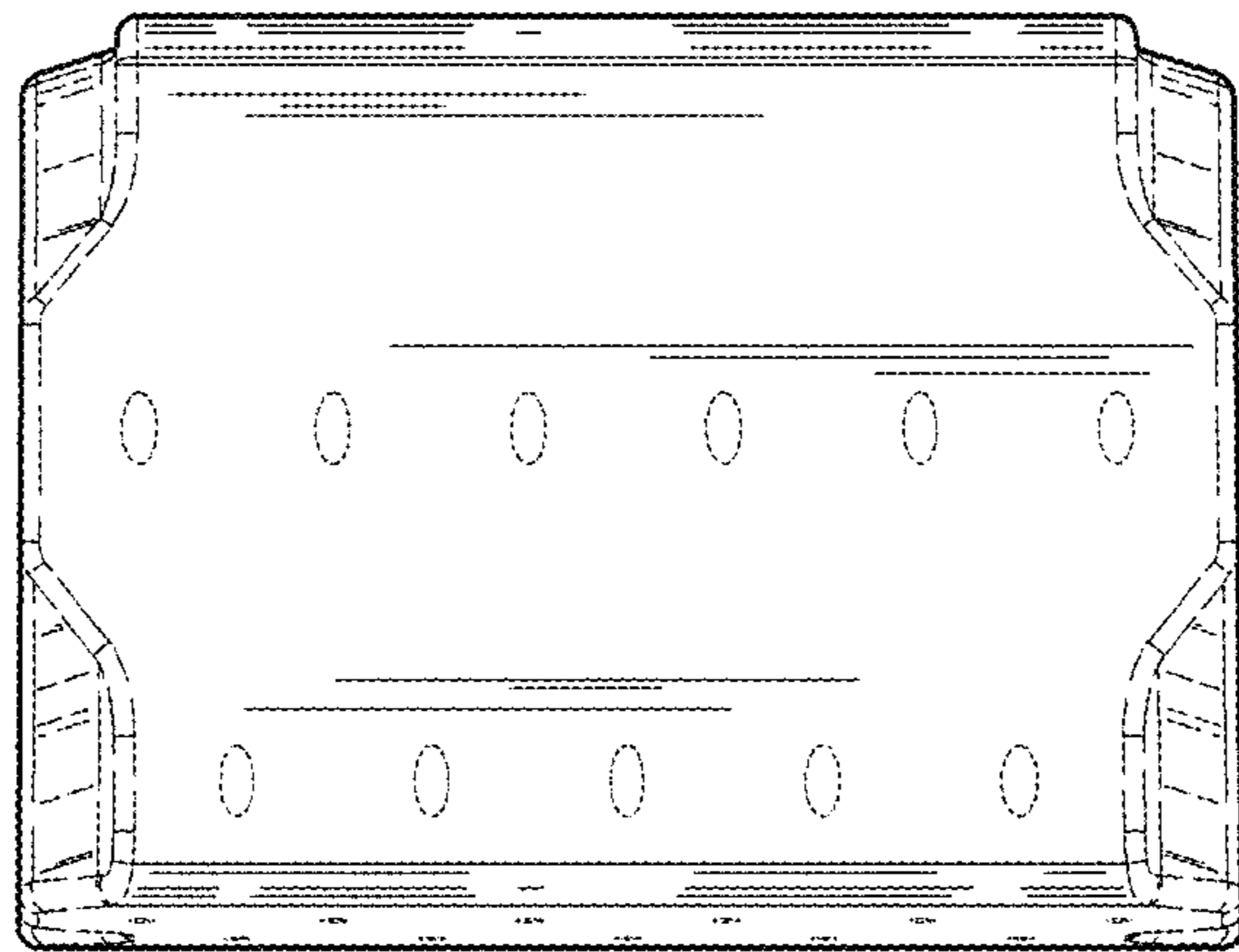


Fig. 10

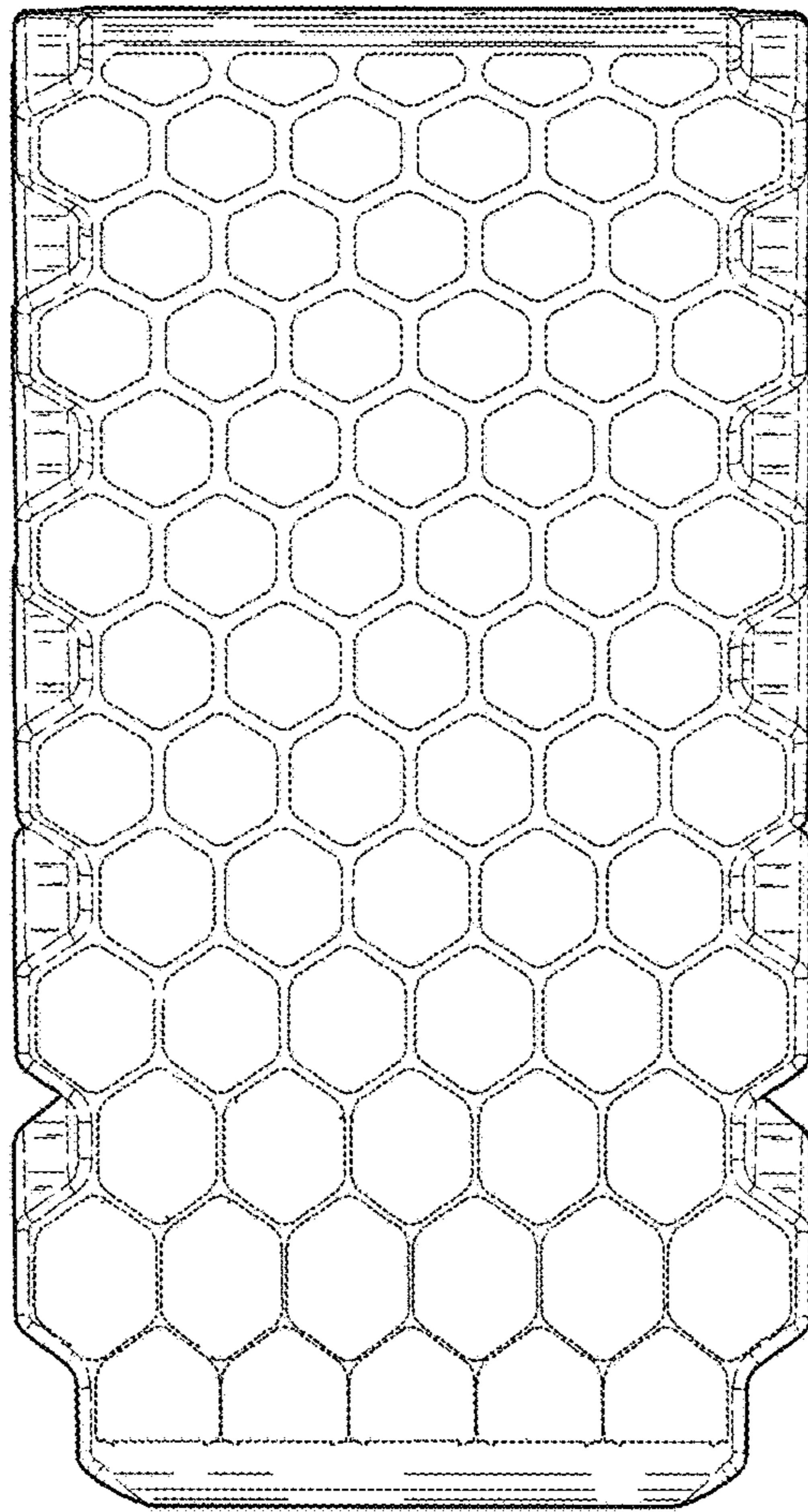


Fig. 11

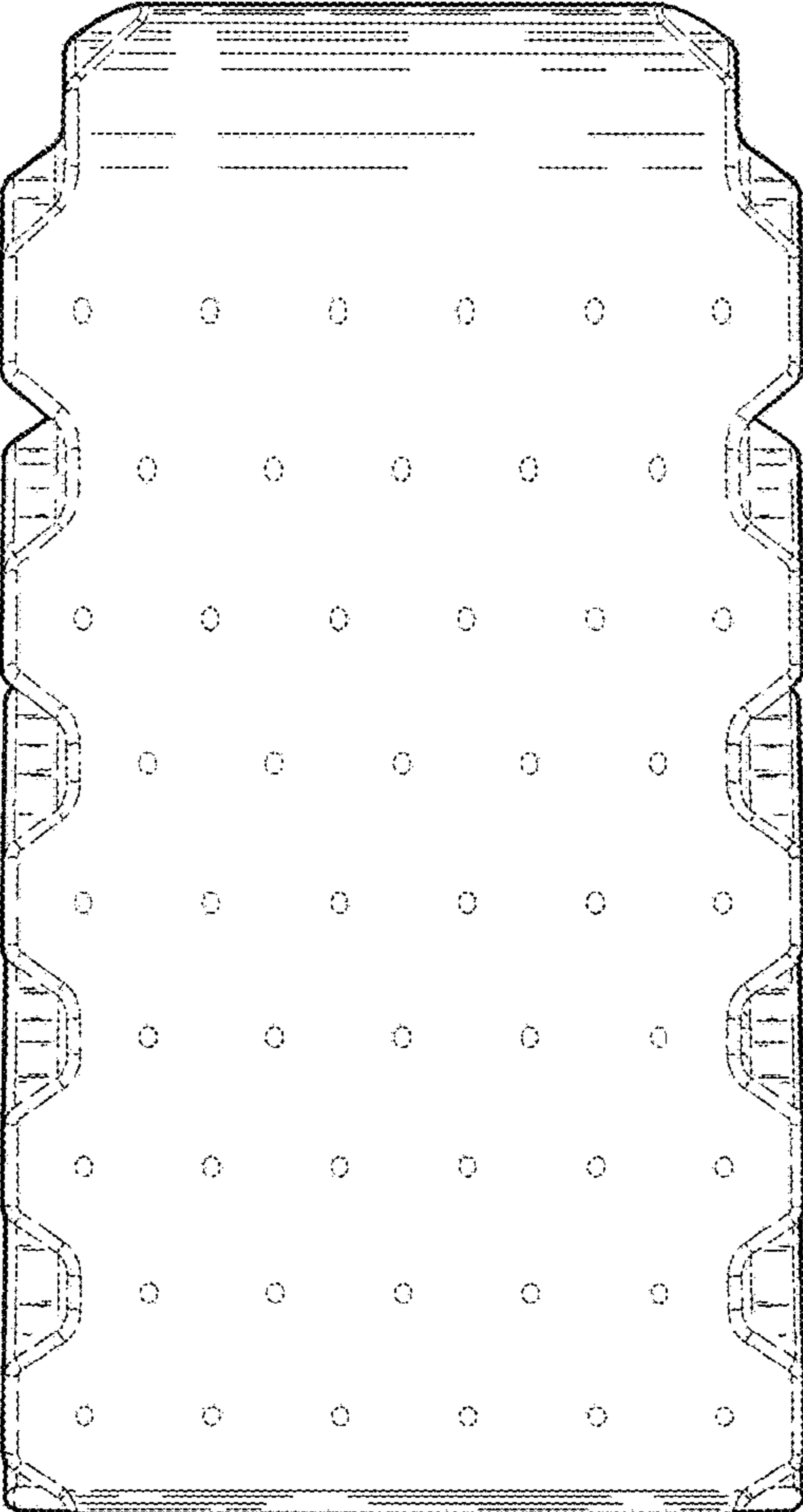


Fig. 12

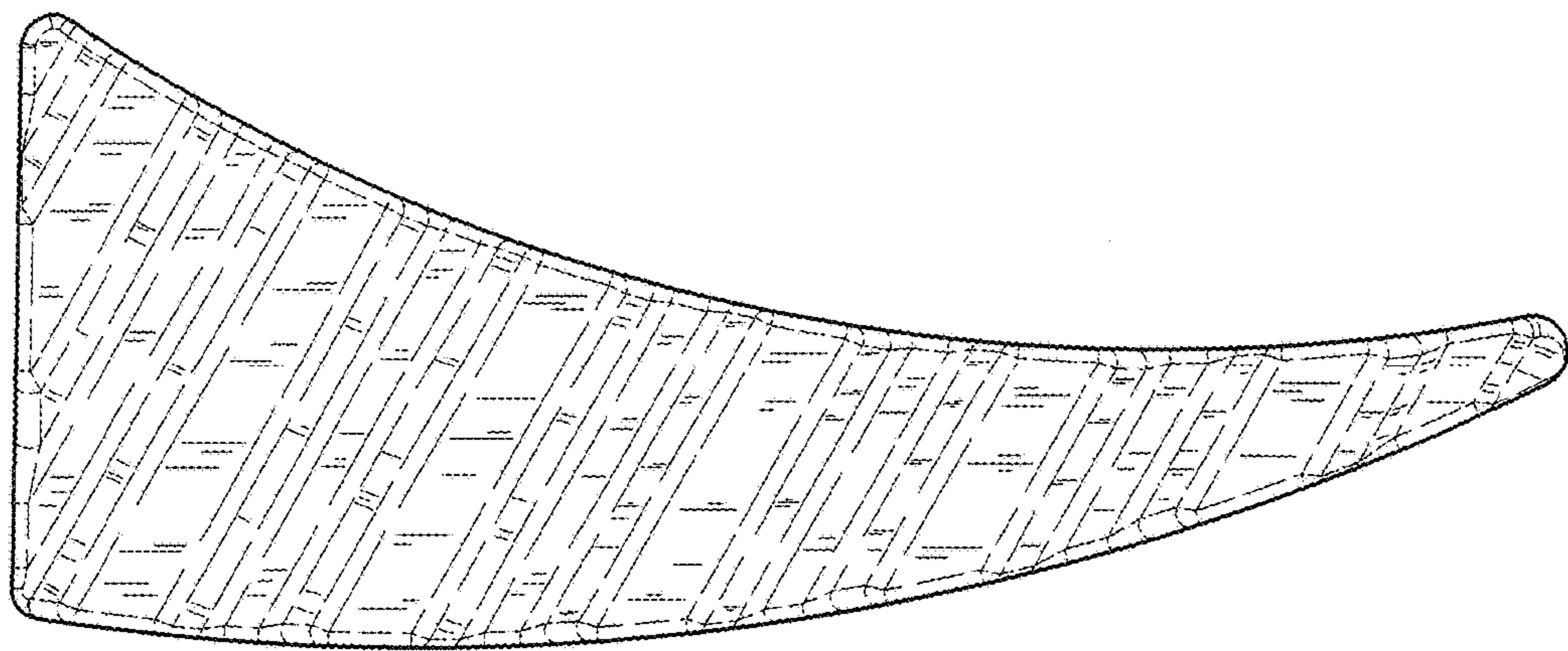


Fig. 13

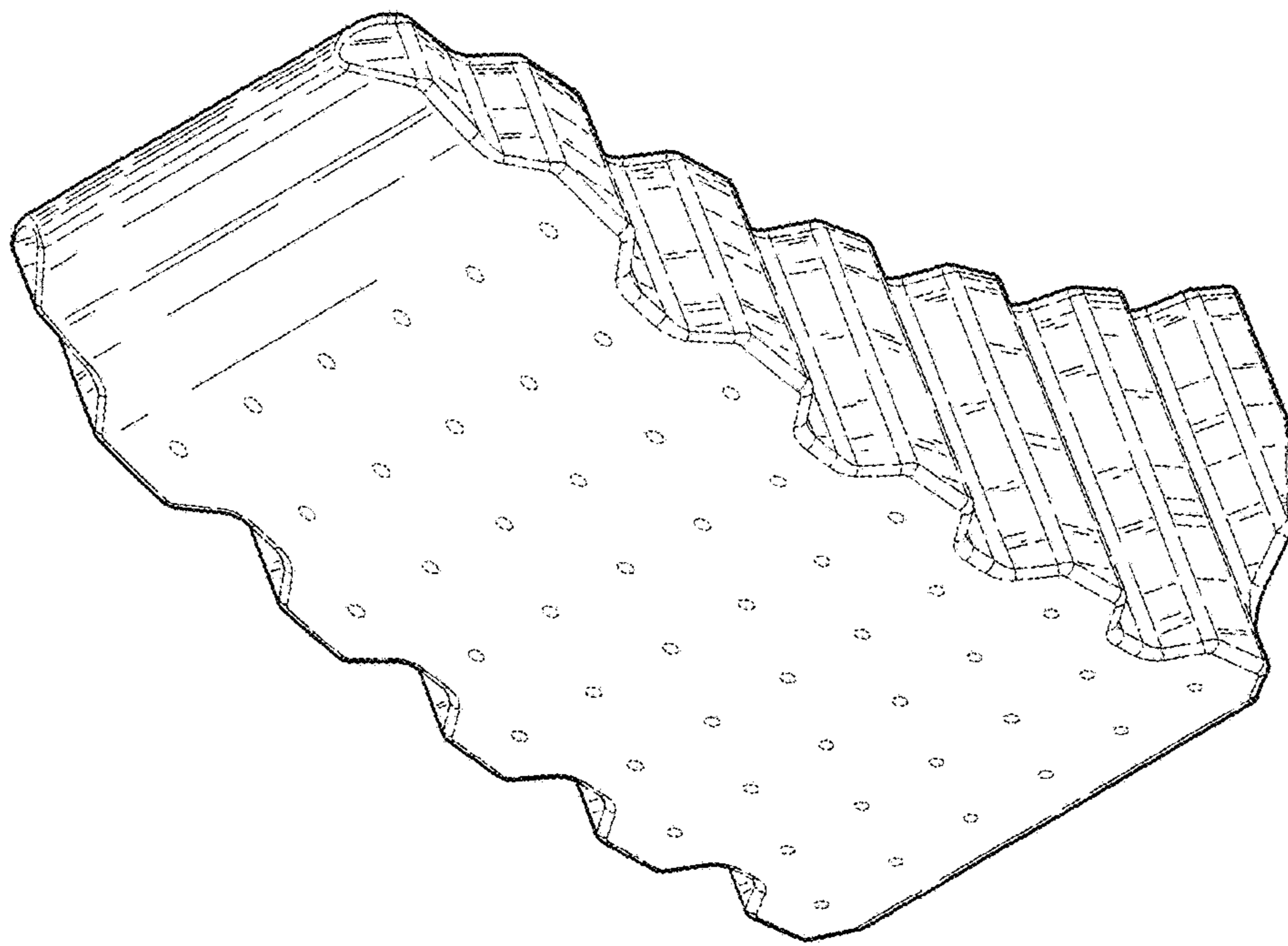


Fig. 14