



US00D855004S

(12) **United States Design Patent**
Preyss et al.

(10) **Patent No.:** **US D855,004 S**
(45) **Date of Patent:** **** Jul. 30, 2019**

(54) **VEHICLE WHEEL, TOY VEHICLE WHEEL,
AND/OR REPLICAS THEREOF**

(71) Applicant: **Bayerische Motoren Werke
Aktiengesellschaft, Munich (DE)**

(72) Inventors: **Georg Friedrich Carl Preyss, Munich
(DE); Joerg Thomas Maurer, Munich
(DE)**

(73) Assignee: **Bayerische Motoren Werke
Aktiengesellschaft, Munich (DE)**

(**) Term: **15 Years**

(21) Appl. No.: **29/642,851**

(22) Filed: **Apr. 3, 2018**

(30) **Foreign Application Priority Data**

Oct. 9, 2017 (DE) 40 2017 101 104

(51) **LOC (11) Cl.** **12-16**

(52) **U.S. Cl.**
USPC **D12/211**

(58) **Field of Classification Search**

USPC D12/204–213
CPC B60B 7/00; B60B 7/02; B60B 7/04; B60B
7/01; B60B 7/06; B60B 3/02; B60B 3/04;
B60B 3/06; B60B 3/10; B60B 1/00;
B60B 1/08; B60B 1/10; B60B 1/12

See application file for complete search history.

(56) **References Cited**

U.S. PATENT DOCUMENTS

D499,686 S * 12/2004 Song D12/211
D515,493 S 2/2006 Schaefers
D526,947 S * 8/2006 Kim D12/209
D541,724 S * 5/2007 Gallert D12/211
D583,742 S 12/2008 Juergens et al.

D593,022 S 5/2009 Forster et al.
D667,769 S * 9/2012 Pollmann D12/209
D671,060 S 11/2012 Baum
D697,008 S 1/2014 Juergens et al.
D697,011 S * 1/2014 Kang D12/209
D721,316 S * 1/2015 Amezketta D12/209
D723,996 S * 3/2015 Zhao D12/211
D768,048 S * 10/2016 Johnson D12/211
D771,542 S * 11/2016 Peat D12/211
D777,640 S * 1/2017 Bazinski D12/211

(Continued)

FOREIGN PATENT DOCUMENTS

EM 000304274-0001 5/2005
EM 000976881-0001 10/2008

(Continued)

Primary Examiner — Stacia A Cadmus

(74) *Attorney, Agent, or Firm* — Crowell & Moring LLP

(57) **CLAIM**

The ornamental design for a vehicle wheel, toy vehicle wheel, and/or replicas thereof, as shown and described.

DESCRIPTION

This application contains subject matter related to the following co-pending U.S. design patent application: Application Ser. No. 29/632,365, filed Jan. 8, 2018 and entitled “Vehicle Wheel, Toy Vehicle Wheel, and/or Replicas Thereof.”

FIG. 1 is a perspective view of a vehicle wheel, toy vehicle wheel, and/or replicas thereof according to the design;

FIG. 2 is an additional perspective view thereof;

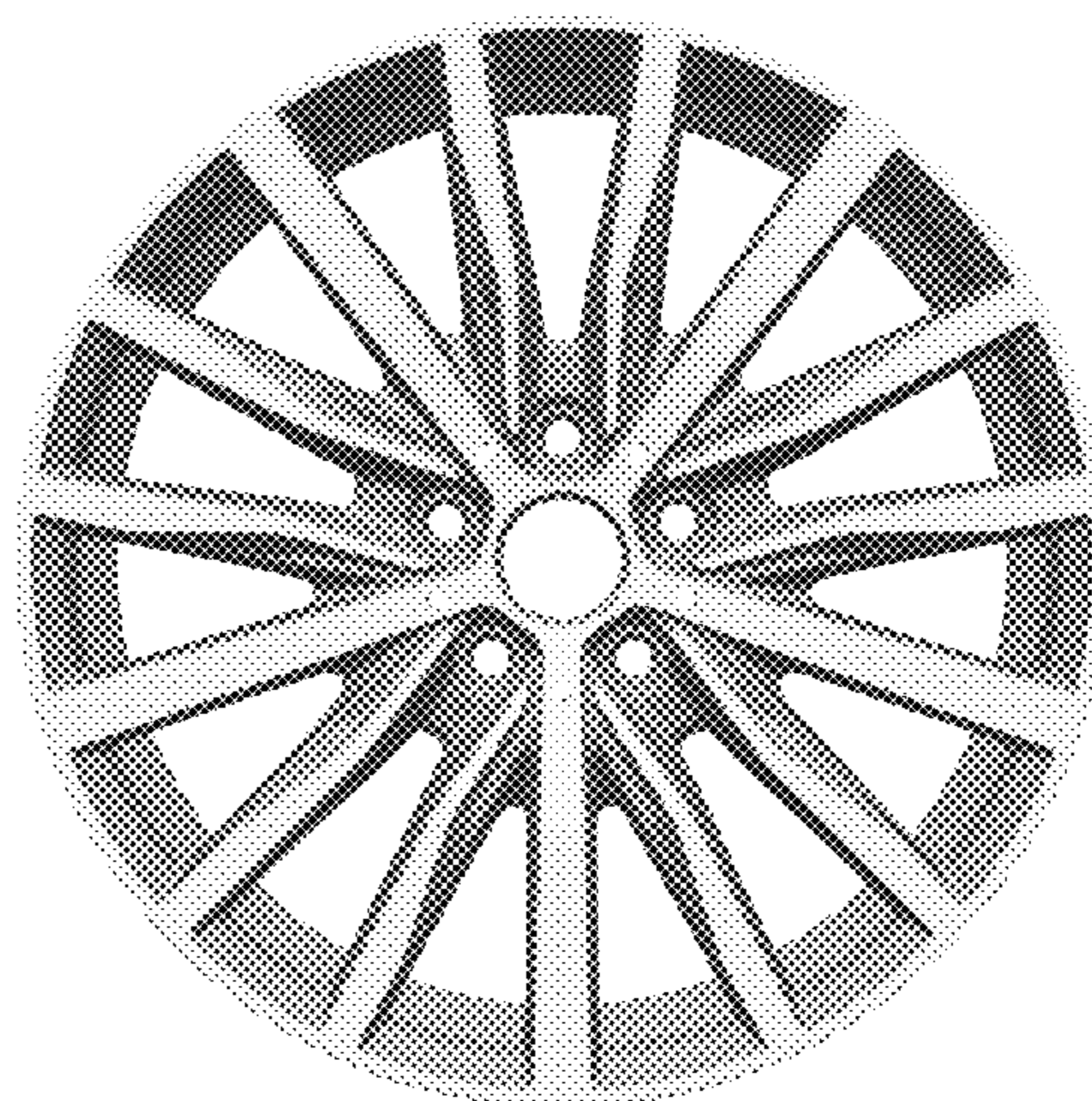
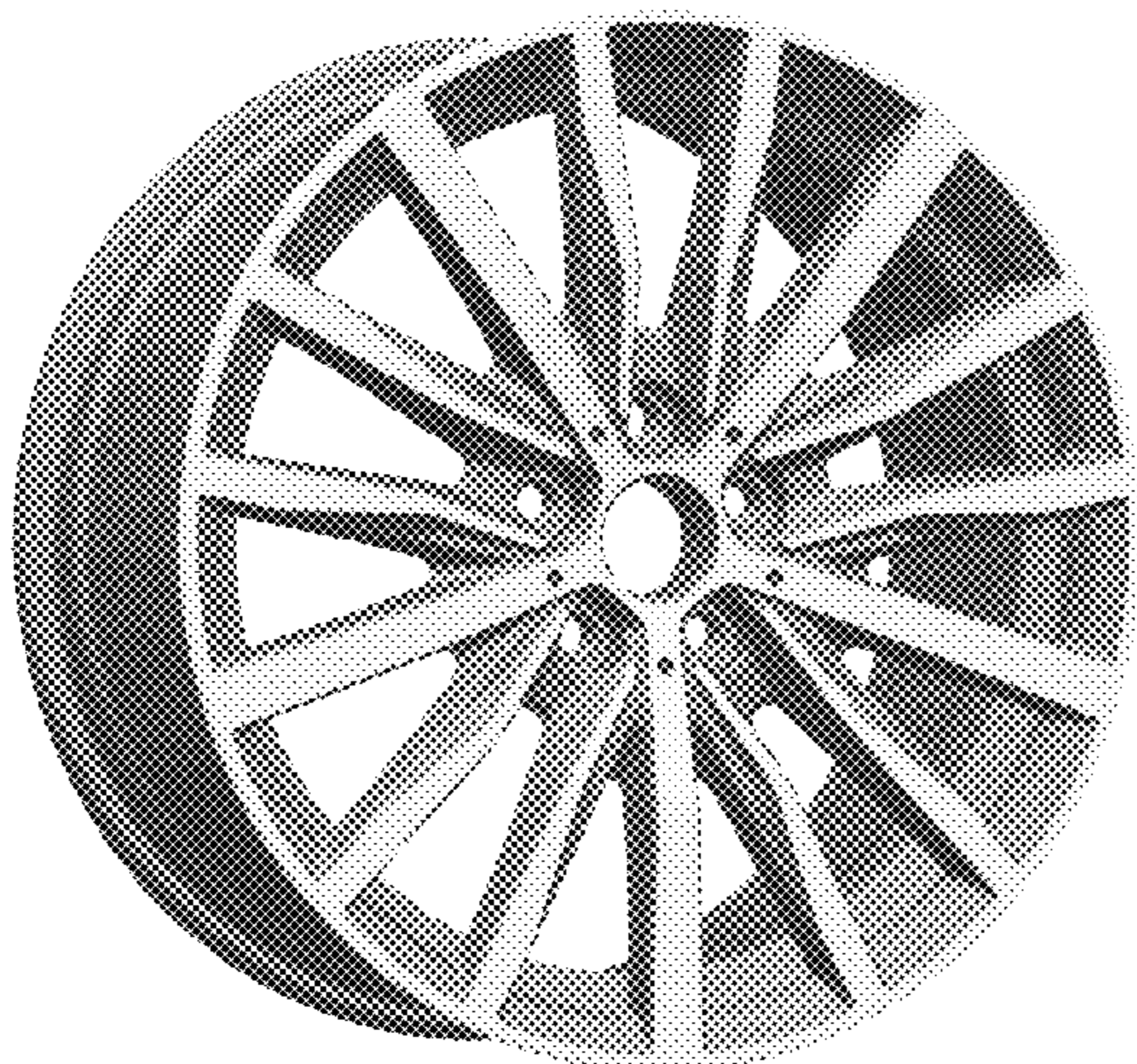
FIG. 3 is an additional perspective view thereof;

FIG. 4 is a front view thereof;

FIG. 5 is a rear view thereof in a lighter gray scale, representing environmental features that form no part of the claimed design; and,

FIG. 6 is a side view thereof.

1 Claim, 6 Drawing Sheets



(56)

References Cited

U.S. PATENT DOCUMENTS

D797,637 S * 9/2017 Wolff D12/211
D806,632 S * 1/2018 Peat D12/211
D824,311 S * 7/2018 Krause D12/209
D832,182 S * 10/2018 Peat D12/211

FOREIGN PATENT DOCUMENTS

EM 000936281-0004 11/2009
EM 002016113-0017 9/2013

* cited by examiner



Fig. 1



Fig. 2



Fig. 3

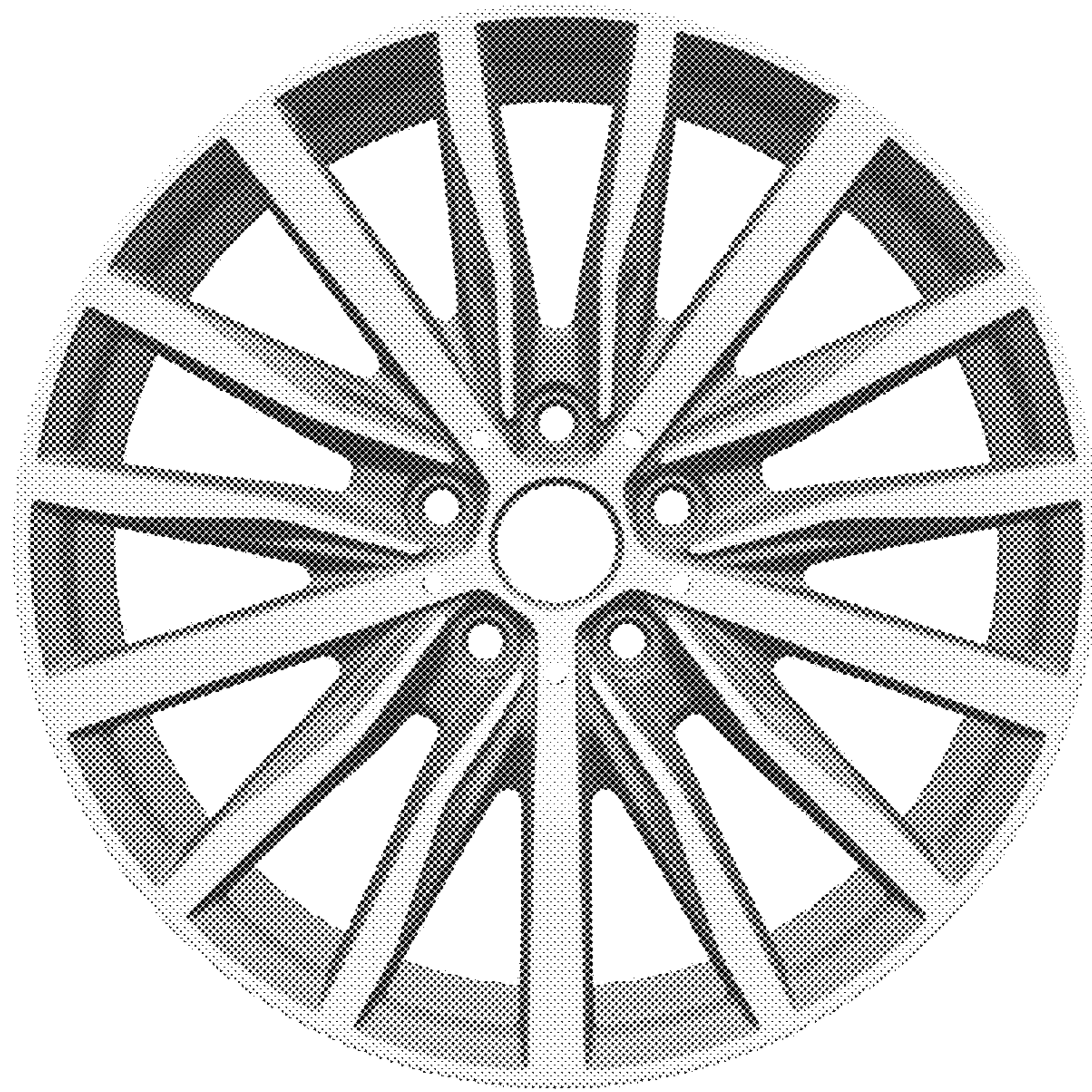


Fig. 4

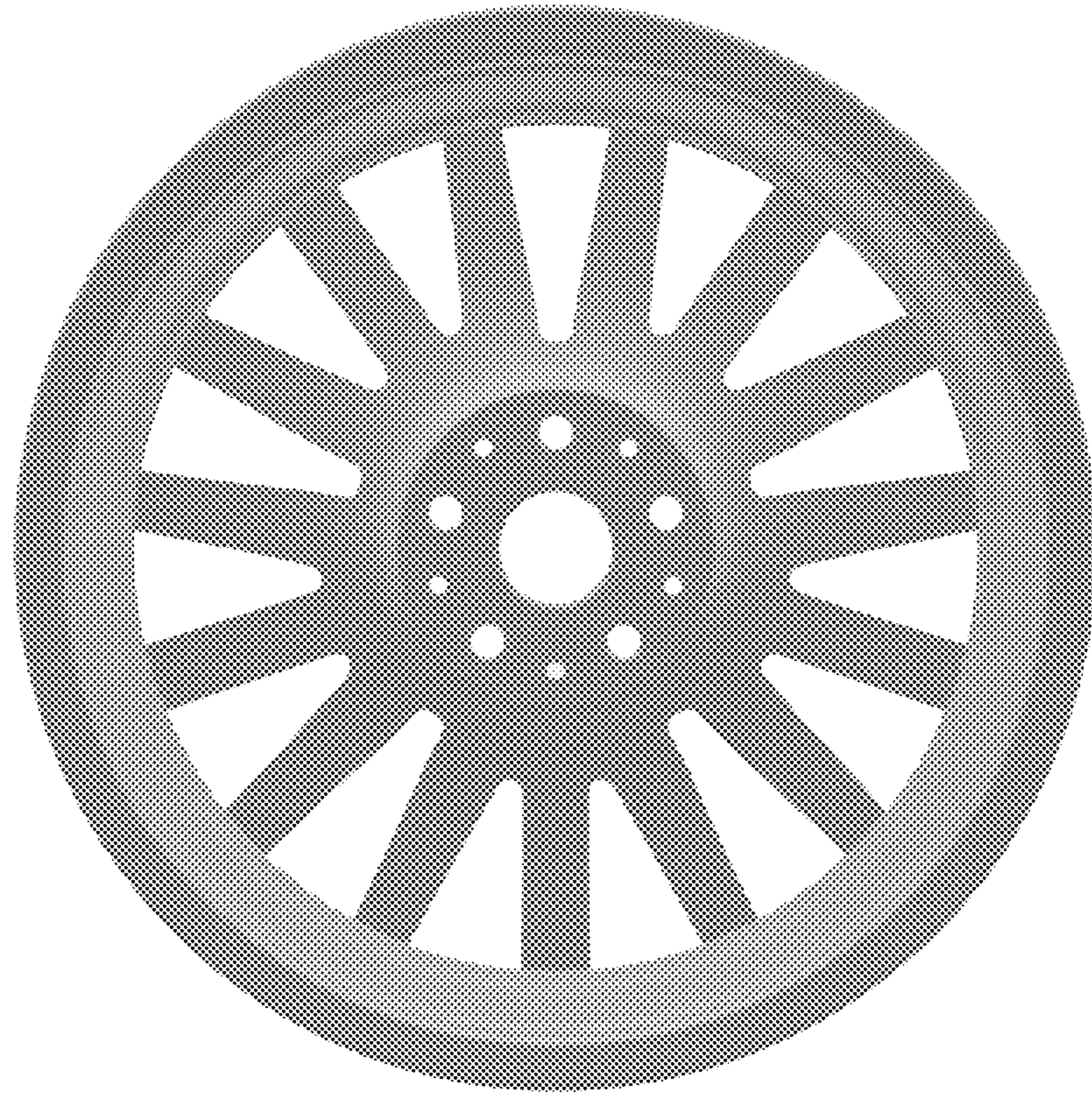


Fig. 5

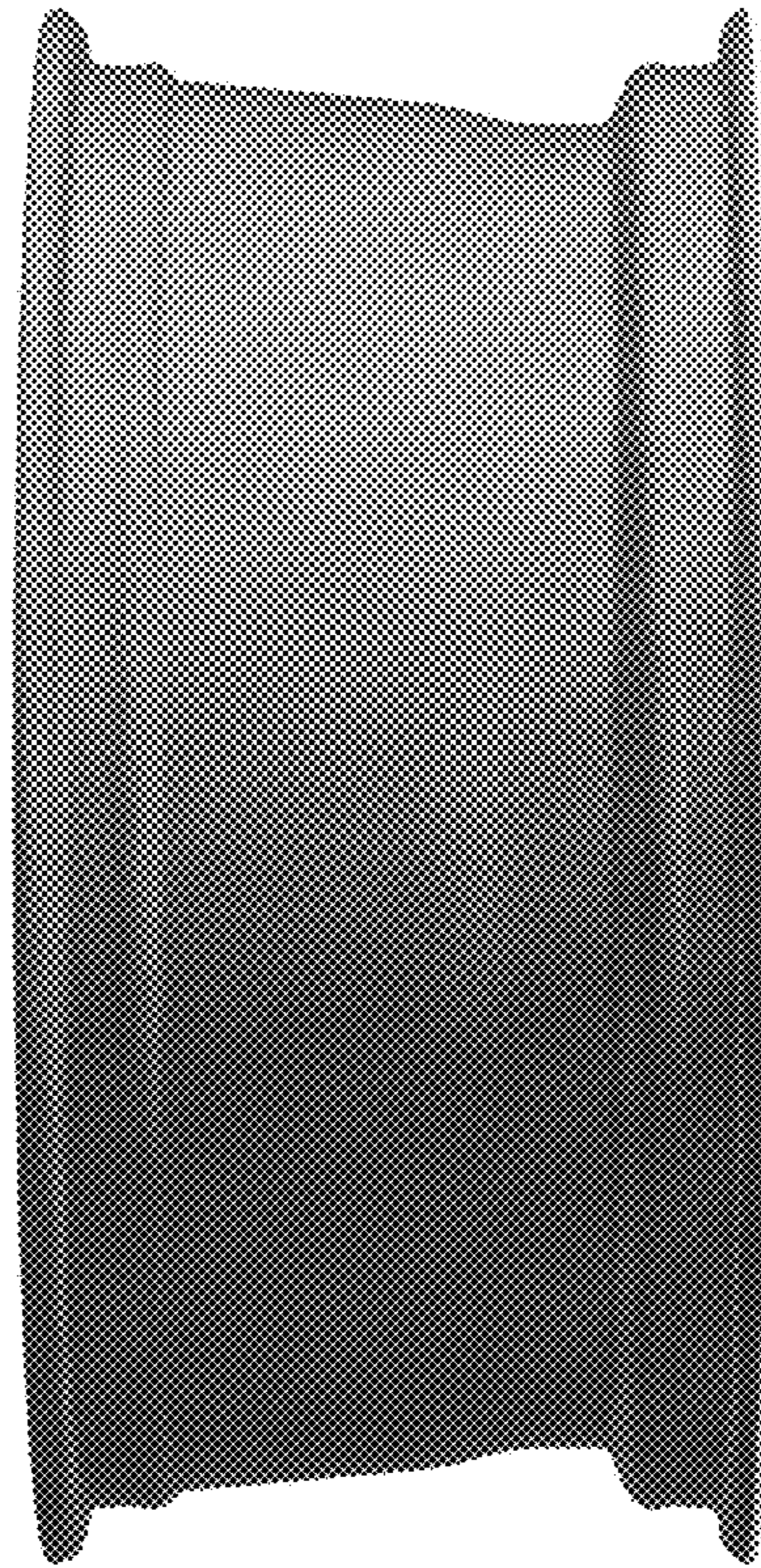


Fig. 6