



US00D855001S

(12) **United States Design Patent**
Hodges

(10) **Patent No.:** **US D855,001 S**

(45) **Date of Patent:** **** Jul. 30, 2019**

(54) **WHEEL**

(71) Applicant: **Frank J. Hodges**, Corona, CA (US)

(72) Inventor: **Frank J. Hodges**, Corona, CA (US)

(**) Term: **15 Years**

(21) Appl. No.: **29/585,199**

(22) Filed: **Nov. 21, 2016**

(51) **LOC (11) Cl.** **12-16**

(52) **U.S. Cl.**
USPC **D12/211**

(58) **Field of Classification Search**
USPC D12/204–213
CPC B60B 7/00; B60B 7/02; B60B 7/04; B60B
7/01; B60B 7/06; B60B 3/02; B60B 3/04;
B60B 3/06; B60B 3/10; B60B 1/00;
B60B 1/08; B60B 1/10; B60B 1/12
See application file for complete search history.

(56) **References Cited**

U.S. PATENT DOCUMENTS

D536,654 S * 2/2007 Moruzzi D12/211
D619,073 S * 7/2010 Groom D12/211

D628,137 S * 11/2010 Groom D12/211
D659,071 S * 5/2012 Hale, Jr. D12/211
D706,199 S * 6/2014 Chung D12/211
D749,485 S * 2/2016 Gallert D12/211
D758,277 S * 6/2016 Alfonso D12/211
D780,664 S * 3/2017 Gallert D12/211
D789,865 S * 6/2017 Giolito D12/211
D795,154 S * 8/2017 Hans D12/211
D800,632 S * 10/2017 Gonser D12/211
D840,898 S * 2/2019 Wittinger D12/209

* cited by examiner

Primary Examiner — Stacia A Cadmus

(74) *Attorney, Agent, or Firm* — Eric B. Alspaugh, APC

(57) **CLAIM**

The ornamental design for a wheel, as shown and described.

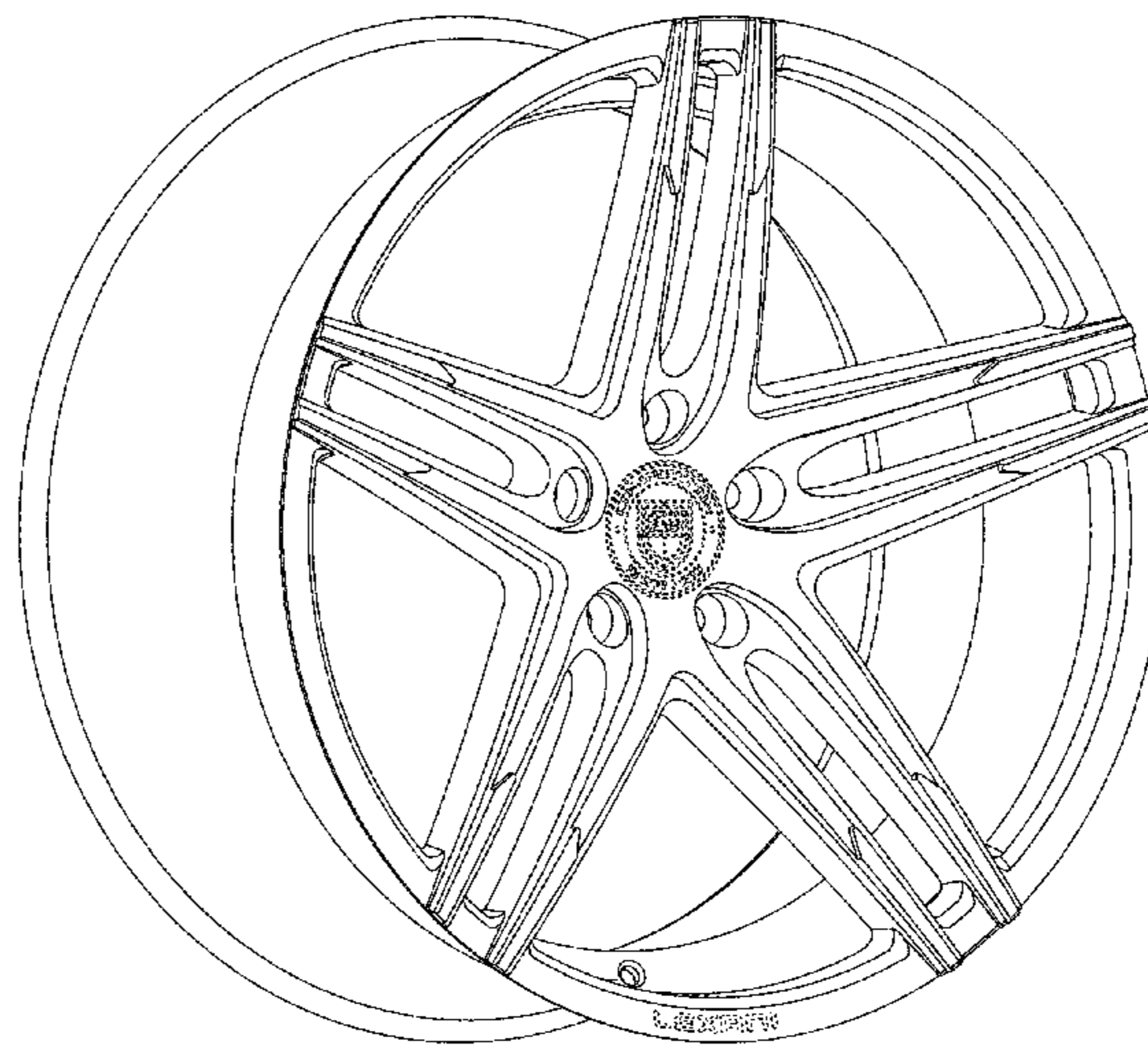
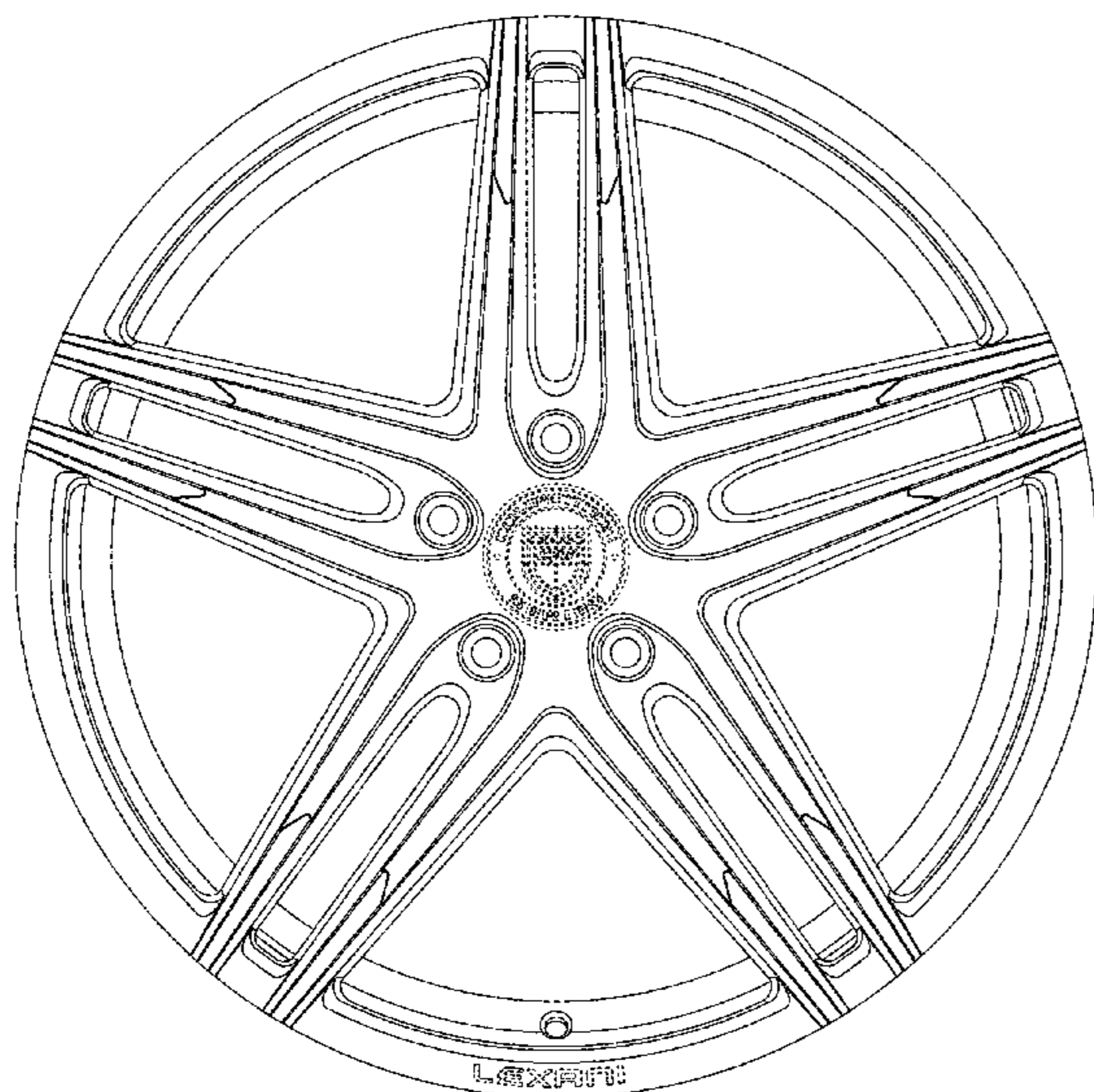
DESCRIPTION

FIG. 1 is a front view of a wheel showing my new design; and,

FIG. 2 is an oblique view thereof.

The portions shown in phantom provide context only but do not limit the claim and should not be considered part of the claimed design.

1 Claim, 2 Drawing Sheets



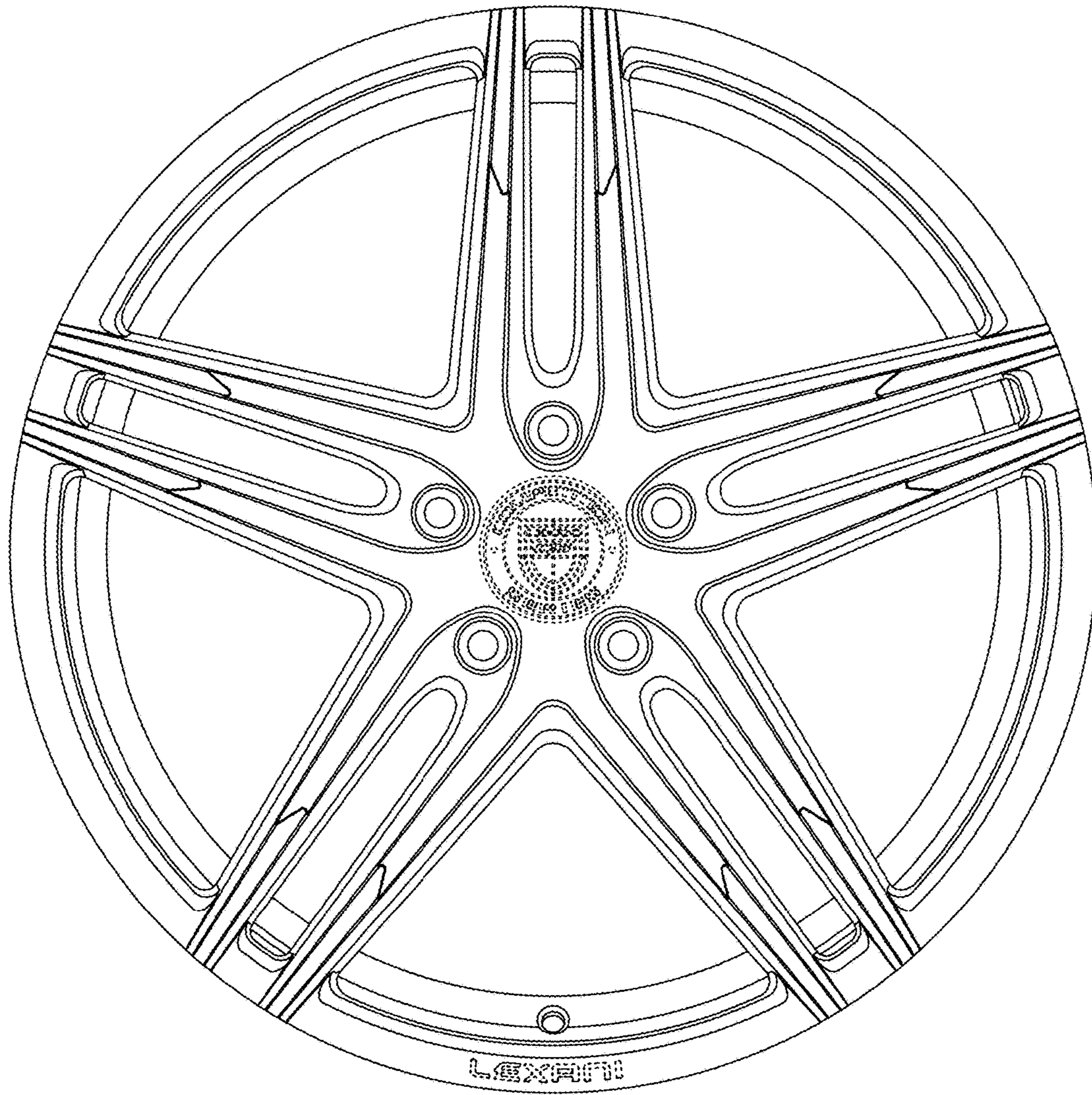


Fig. 1

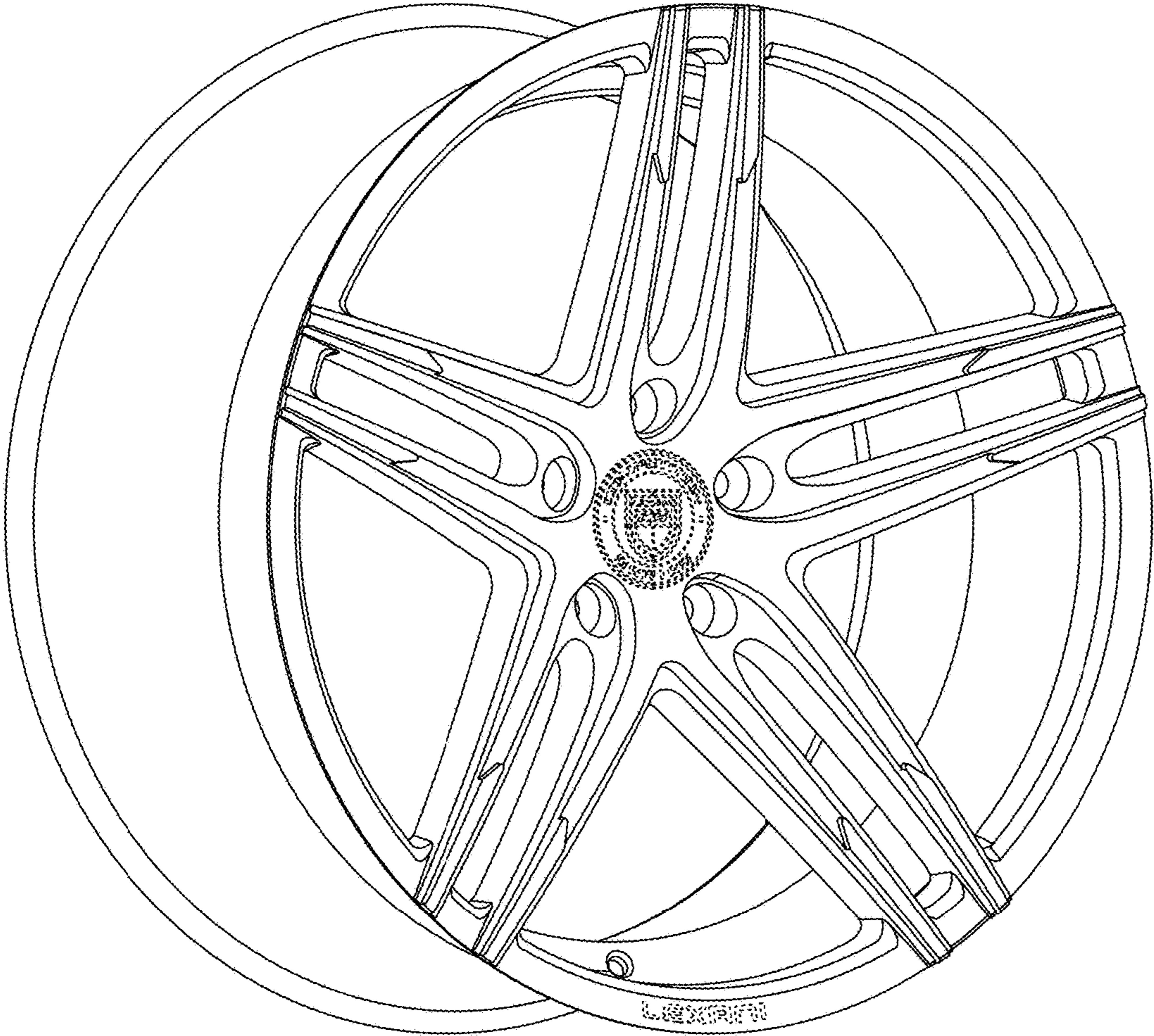


Fig. 2