



US00D855000S

(12) **United States Design Patent**  
**Gregory**

(10) **Patent No.:** **US D855,000 S**

(45) **Date of Patent:** **\*\* Jul. 30, 2019**

- (54) **WHEEL FOR MOTOR VEHICLE**
- (71) Applicant: **Bentley Motors Limited**, Crewe (GB)
- (72) Inventor: **John Paul Gregory**, Crewe (GB)
- (73) Assignee: **BENTLEY MOTORS LIMITED**,  
Crewe, Cheshire (GB)
- (\*\*) Term: **15 Years**
- (21) Appl. No.: **29/638,122**
- (22) Filed: **Feb. 23, 2018**

(30) **Foreign Application Priority Data**

Aug. 25, 2017 (EP) ..... 004164341

(51) **LOC (11) Cl.** ..... **12-16**

(52) **U.S. Cl.**  
USPC ..... **D12/209**

(58) **Field of Classification Search**  
USPC ..... D12/204–213  
CPC .... B60B 7/00; B60B 7/02; B60B 7/04; B60B  
7/01; B60B 7/06; B60B 3/02; B60B 3/04;  
B60B 3/06; B60B 3/10; B60B 1/00;  
B60B 1/08; B60B 1/10; B60B 1/12  
See application file for complete search history.

(56) **References Cited**

**U.S. PATENT DOCUMENTS**

D453,134 S *	1/2002	Murkett	.....	D12/209
D486,769 S *	2/2004	Gallert	.....	D12/209
D506,717 S *	6/2005	Gallert	.....	D12/209
D580,842 S *	11/2008	Kim	.....	D12/211
D626,052 S *	10/2010	Majdandzic	.....	D12/209
D649,503 S *	11/2011	Platto	.....	D12/209
D654,006 S *	2/2012	Baum	.....	D12/209
D673,095 S *	12/2012	Behmer	.....	D12/209
D673,100 S *	12/2012	Mueller-Stolz	.....	D12/211

D683,682 S *	6/2013	Alfonso	.....	D12/209
D707,170 S *	6/2014	Wheel	.....	D12/211
D732,454 S *	6/2015	Szews	.....	D12/211
D734,234 S *	7/2015	Juergens	.....	D12/209
D739,326 S *	9/2015	Juergens	.....	D12/209
D746,750 S *	1/2016	Curtis	.....	D12/209
D748,552 S *	2/2016	Wagener	.....	D12/209
D749,028 S *	2/2016	Henstridge	.....	D12/209
D751,482 S *	3/2016	Caswell	.....	D12/209
D753,570 S *	4/2016	Garbas	.....	D12/211
D760,139 S *	6/2016	Dionisopoulos	.....	D12/209
D765,575 S *	9/2016	Holstein	.....	D12/211
D766,153 S *	9/2016	Wheel	.....	D12/209
D773,371 S *	12/2016	Bucher	.....	D12/211
D775,574 S *	1/2017	Maher	.....	D12/209
D784,233 S *	4/2017	Hejtmanek	.....	D12/209
D792,828 S *	7/2017	Groth	.....	D12/209
D794,526 S *	8/2017	Patel	.....	D12/209
D797,635 S *	9/2017	Rueckheim	.....	D12/209
D811,979 S *	3/2018	Svensson	.....	D12/211
D827,540 S *	9/2018	Hilton	.....	D12/209

(Continued)

*Primary Examiner* — Stacia A Cadmus

(74) *Attorney, Agent, or Firm* — Schwabe Williamson & Wyatt, P.C.

(57) **CLAIM**

I claim the ornamental design for a wheel for motor vehicle, as shown and described.

**DESCRIPTION**

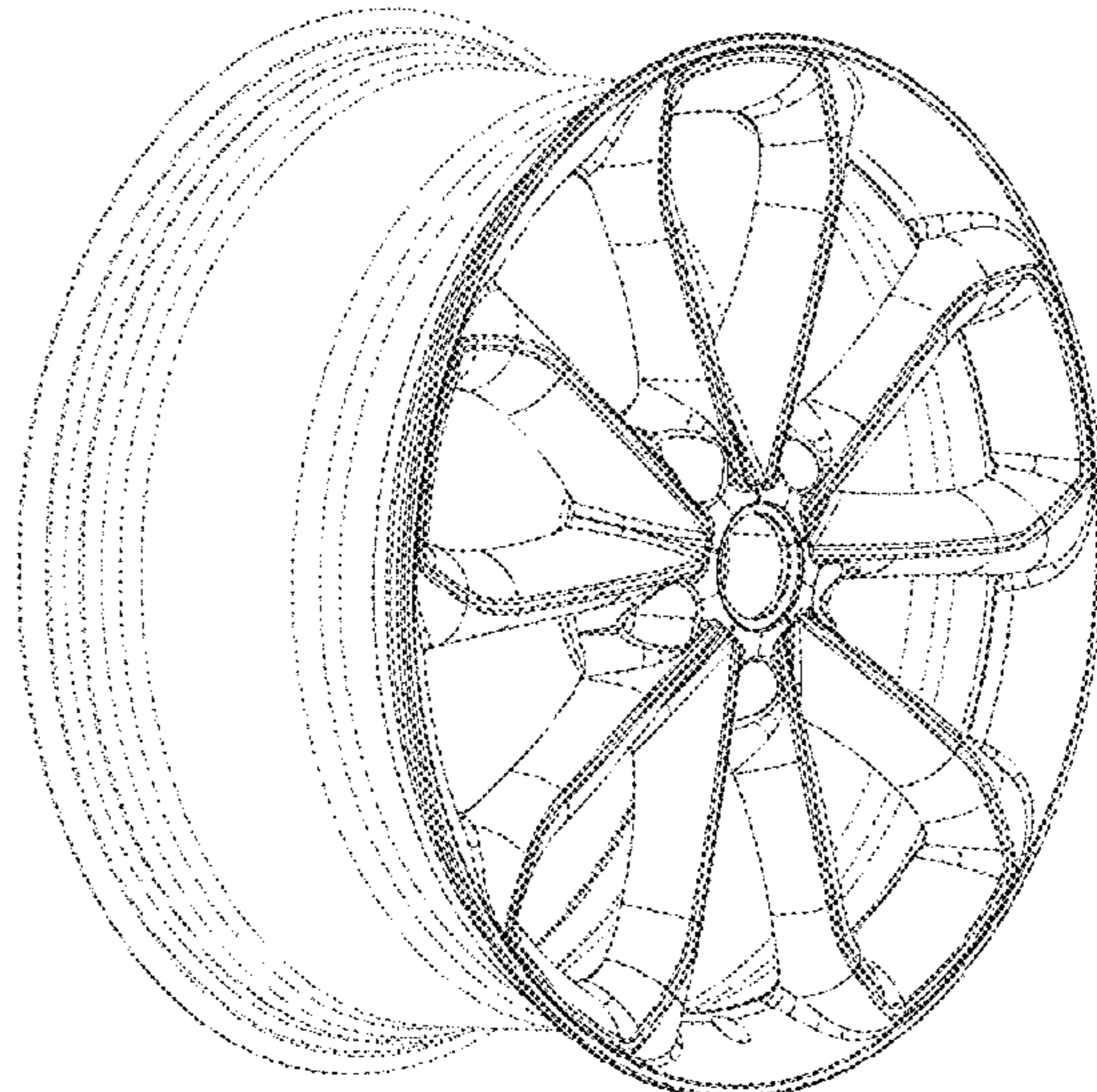
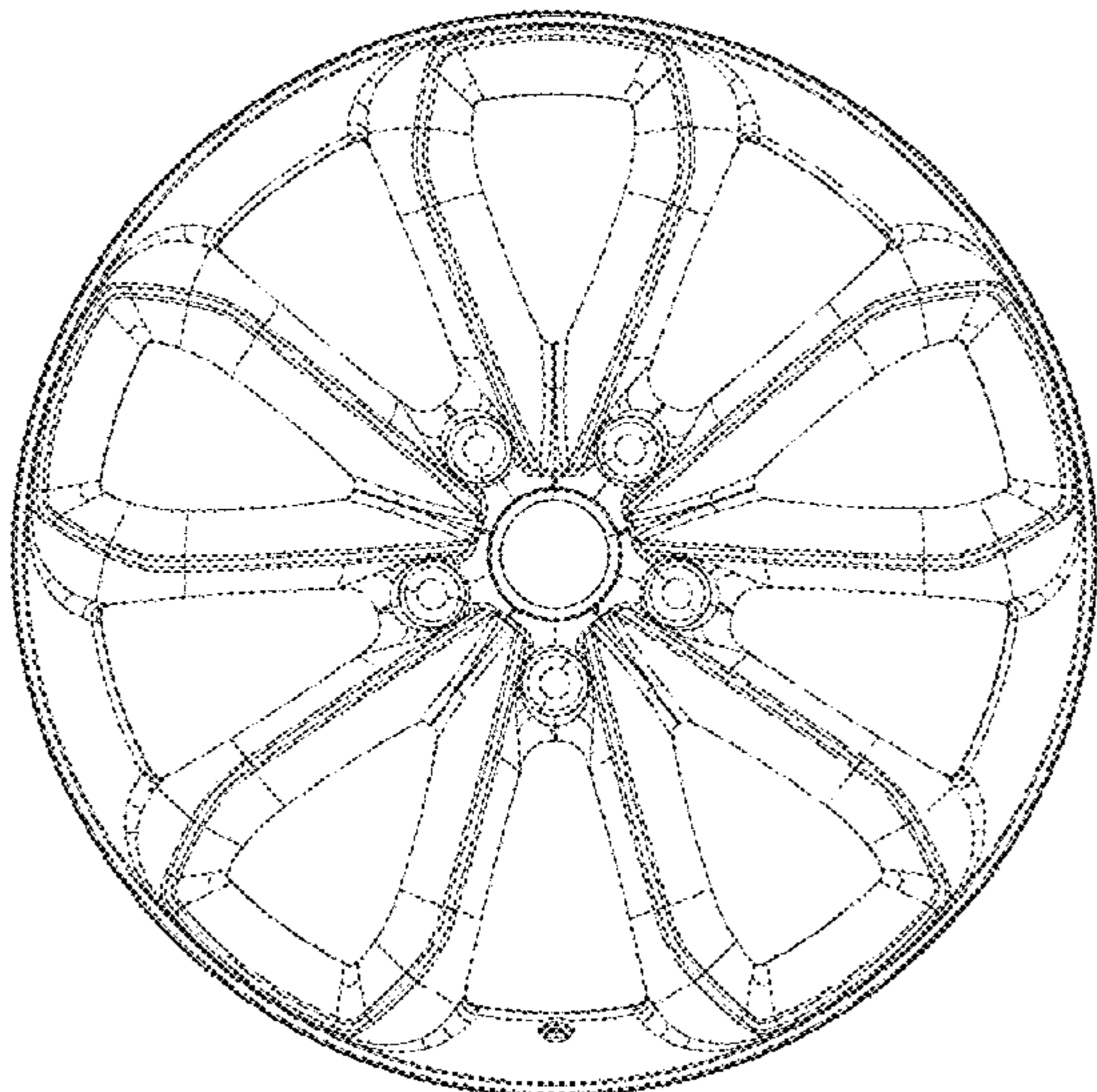
FIG. 1 is a front view of a wheel for motor vehicle, showing my design;

FIG. 2 is a perspective view thereof; and,

FIG. 3 is a side view thereof.

The additional views of the wheel not provided herein do not provide any additional claimed features of the design and thus are not represented. The broken lines are included for illustrating environmental structure and form no part of the claimed design.

**1 Claim, 3 Drawing Sheets**



(56)

**References Cited**

U.S. PATENT DOCUMENTS

D829,631 S \* 10/2018 Gallert ..... D12/209  
D832,762 S \* 11/2018 Austin ..... D12/209

\* cited by examiner

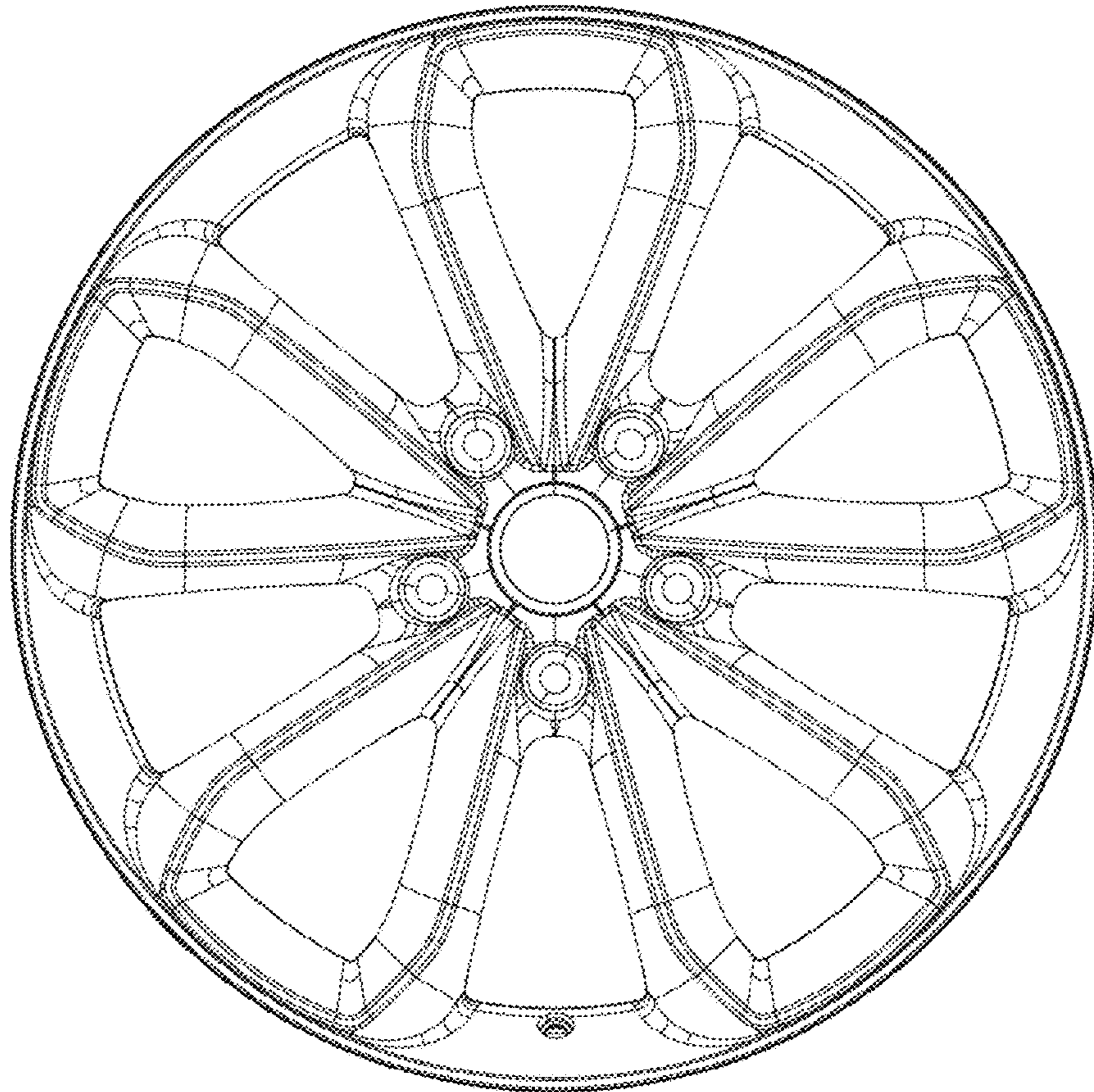


FIG. 1

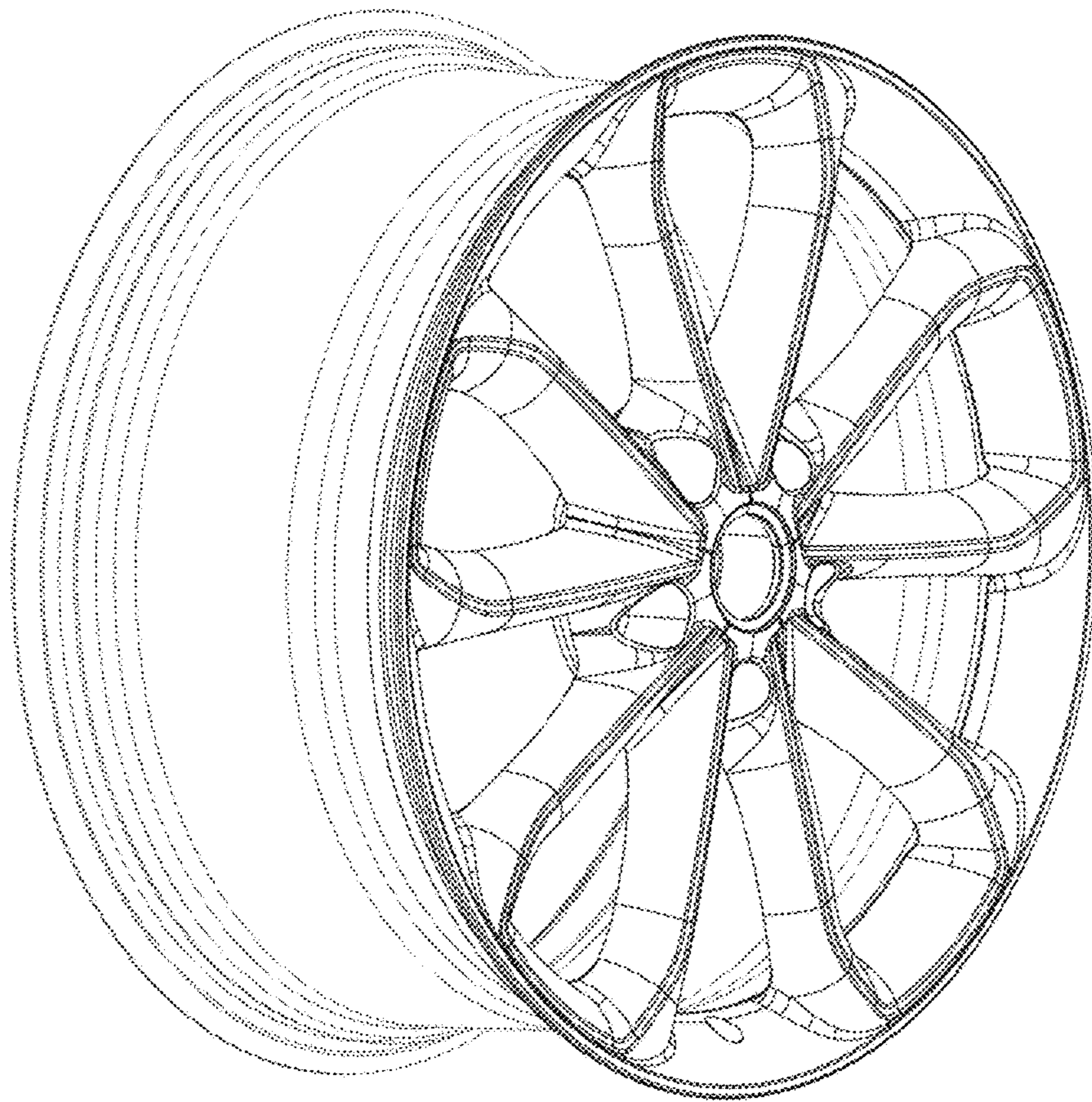


FIG. 2

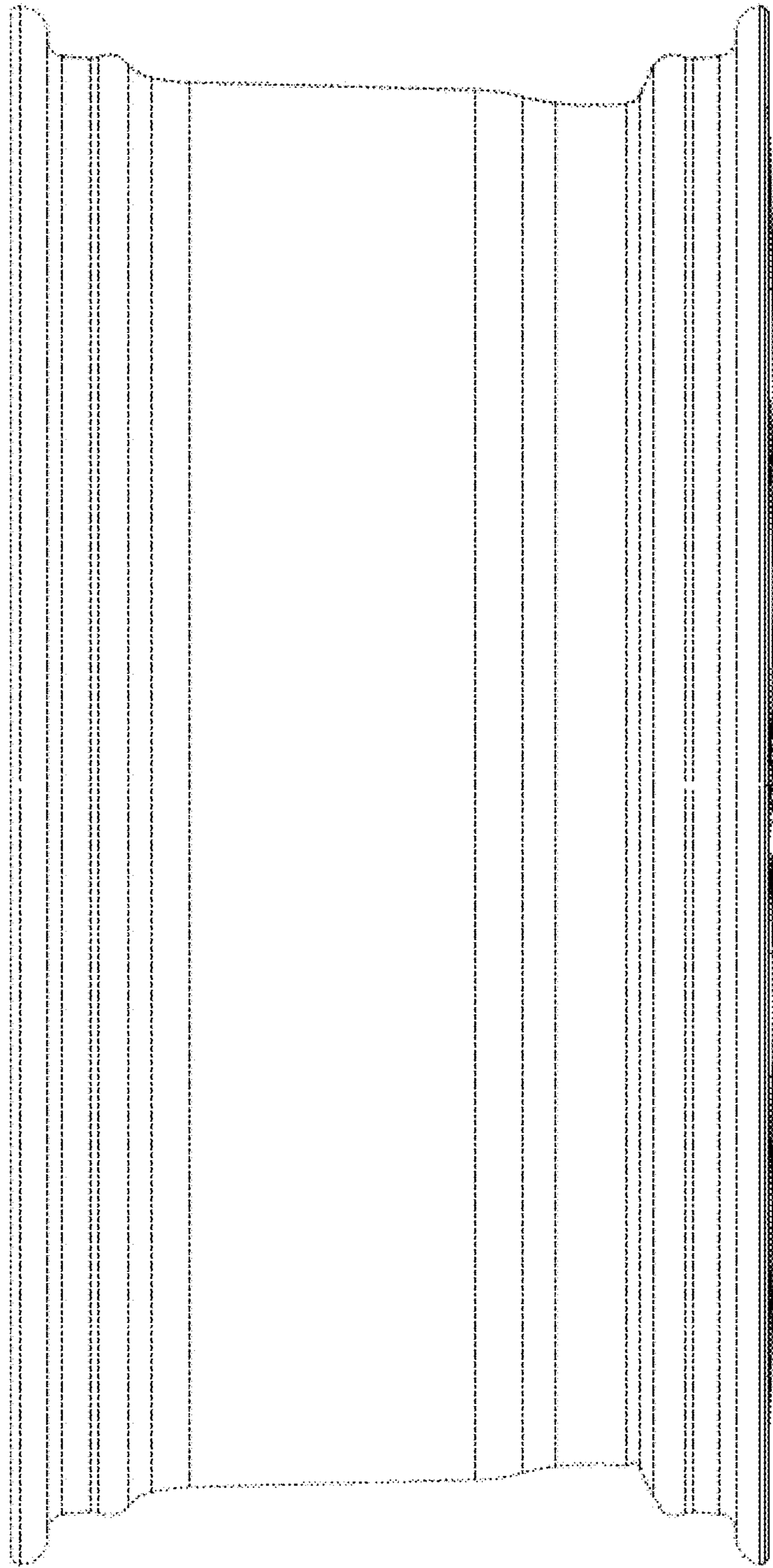


FIG. 3