



US00D854996S

(12) **United States Design Patent**  
**Chung**

(10) **Patent No.:** **US D854,996 S**

(45) **Date of Patent:** **\*\* Jul. 30, 2019**

(54) **AUTOMOTIVE WHEEL**

(71) Applicant: **Design Infini, Inc.**, Corona, CA (US)

(72) Inventor: **Suny Chung**, Anaheim, CA (US)

(73) Assignee: **Design Infini, Inc.**, Corona, CA (US)

(\*\*) Term: **15 Years**

(21) Appl. No.: **29/598,545**

(22) Filed: **Mar. 27, 2017**

**Related U.S. Application Data**

(63) Continuation of application No. 29/442,692, filed on Apr. 22, 2013, now Pat. No. Des. 782,387.

(51) **LOC (11) Cl.** ..... **12-16**

(52) **U.S. Cl.**  
USPC ..... **D12/209**

(58) **Field of Classification Search**  
USPC ..... D12/204–213  
CPC .... B60B 7/00; B60B 7/02; B60B 7/04; B60B 7/01; B60B 7/06; B60B 3/02; B60B 3/04; B60B 3/06; B60B 3/10; B60B 1/00; B60B 1/08; B60B 1/10; B60B 1/12  
See application file for complete search history.

(56) **References Cited**

**U.S. PATENT DOCUMENTS**

D188,536 S	8/1960	Nixon	
D191,354 S	9/1961	Zierhut	
D191,394 S	9/1961	Garcia	
3,025,110 A	3/1962	Lyon	
D202,774 S	11/1965	Nash	
D297,632 S	9/1988	Marshall	
D367,031 S	2/1996	Hubbach	
D392,240 S	3/1998	Kingsland	
D392,929 S	3/1998	Lombard	
D401,205 S	11/1998	Fischer	
D406,092 S *	2/1999	Baumgartner	..... D12/211

D407,362 S	3/1999	Schardt	
D430,526 S *	9/2000	Fitzgerald	..... D12/211
D452,838 S	1/2002	Hieke	
D453,914 S	2/2002	Dumigan	
D458,886 S	6/2002	Bhambra	
D480,673 S	10/2003	Bhambra et al.	
D485,523 S	1/2004	Takechi	
D486,112 S	2/2004	Lecher	
D491,866 S	6/2004	Warming	
D495,985 S	9/2004	Lai	
D497,339 S	10/2004	Heinrich	
D503,916 S	4/2005	Clarke	
D515,996 S	2/2006	Baumgartner	
D533,825 S *	12/2006	Baumgartner	..... D12/211
D535,240 S	1/2007	Chang	
D539,205 S	3/2007	Hosoi	
D541,202 S *	4/2007	Baumgartner	..... D12/211
D542,211 S	5/2007	Rieke	
D622,196 S *	8/2010	Gallert	..... D12/209

(Continued)

**OTHER PUBLICATIONS**

Sema Preview, ATD 2012 Wheel Lineup, 2012, pp. 6, 10, American Tire Distributors, published Nov. 2011.

*Primary Examiner* — Stacia A Cadmus

(74) *Attorney, Agent, or Firm* — Knobbe, Martens, Olson & Bear, LLP

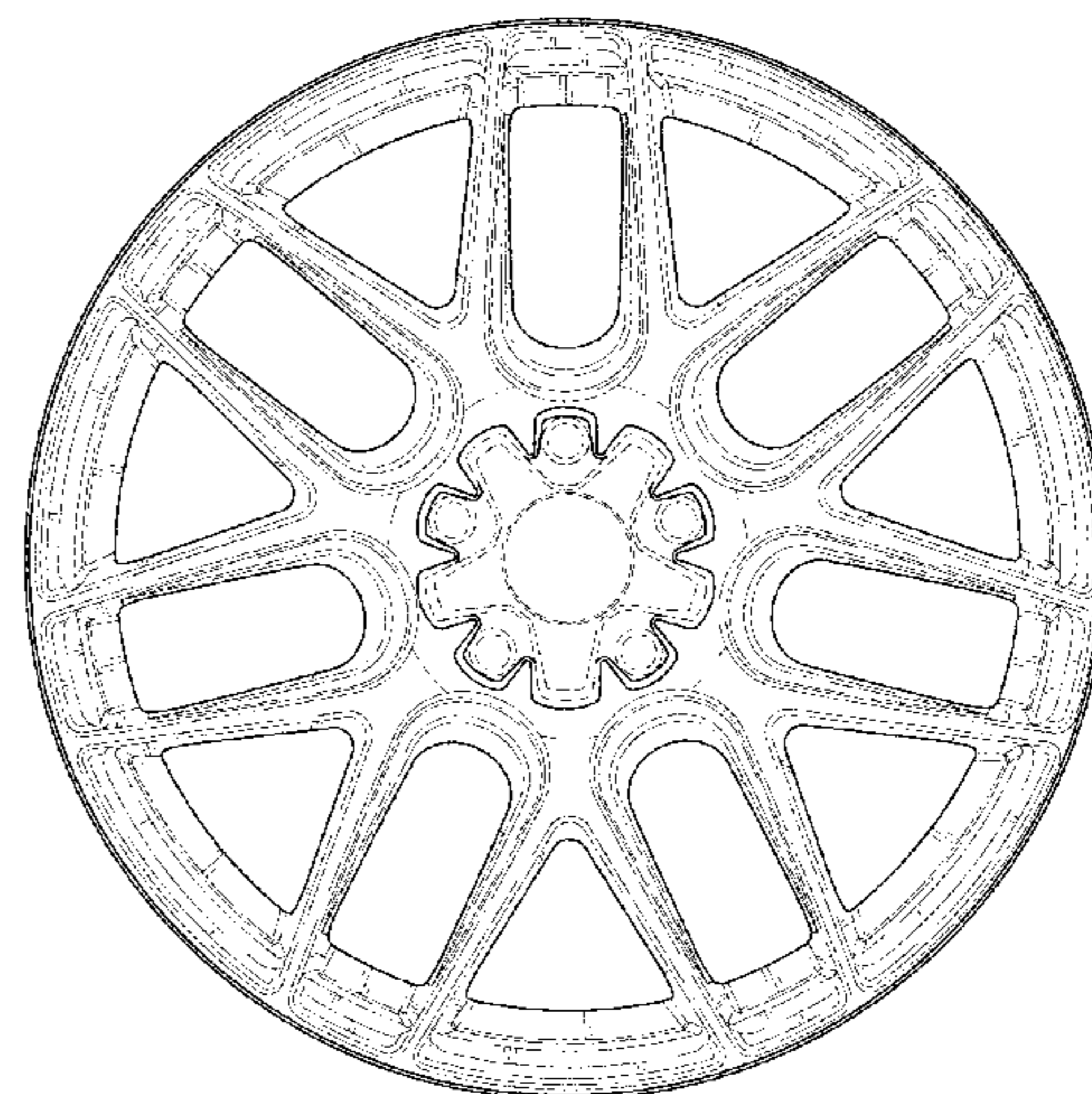
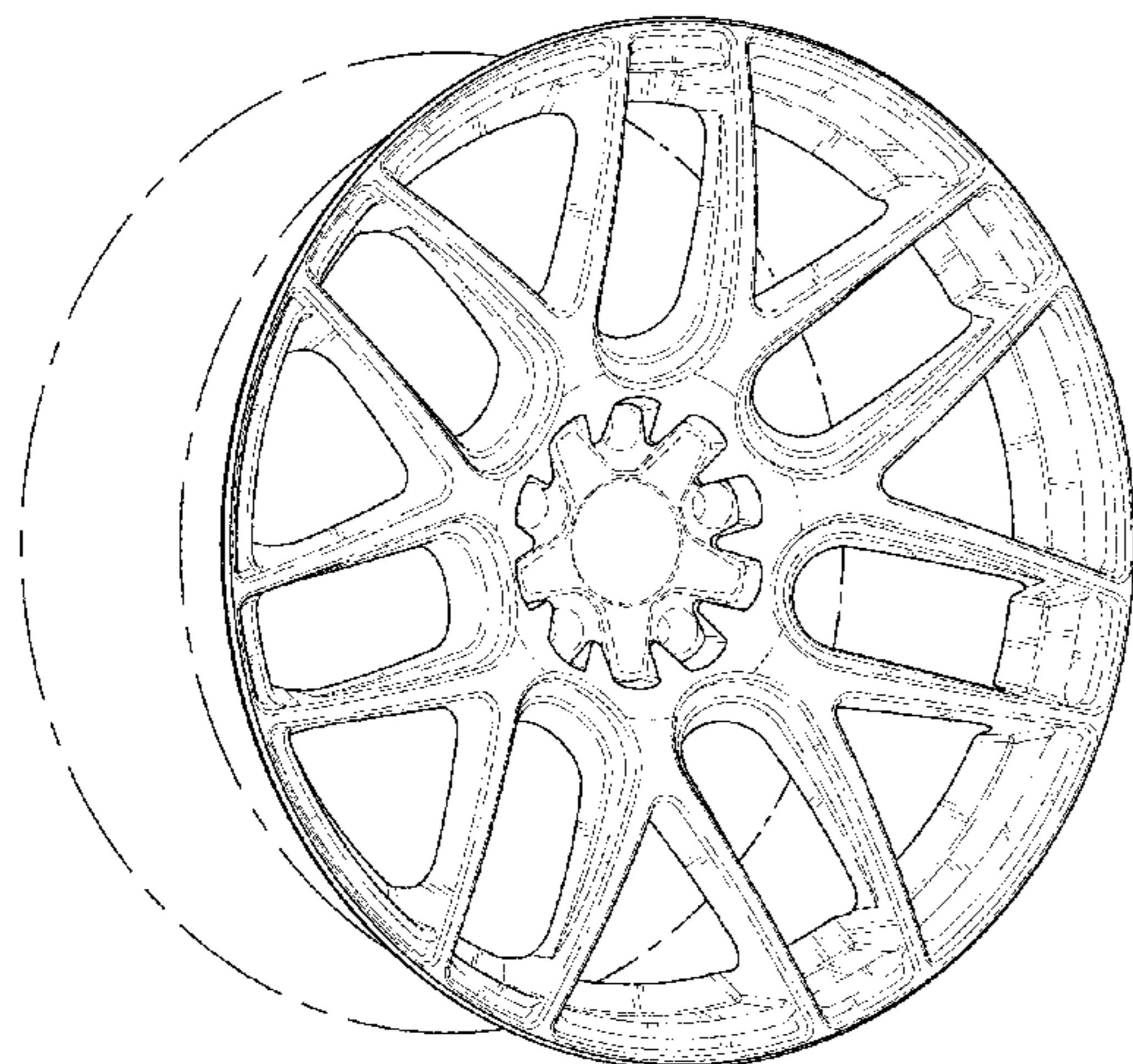
(57) **CLAIM**

I claim the ornamental design for an automotive wheel, as shown and described.

**DESCRIPTION**

FIG. 1 is a perspective view of an automotive wheel, showing my new design; and, FIG. 2 is a front view thereof. The broken lines in the drawings are included for the purpose of illustration and form no part of the claimed design.

**1 Claim, 2 Drawing Sheets**



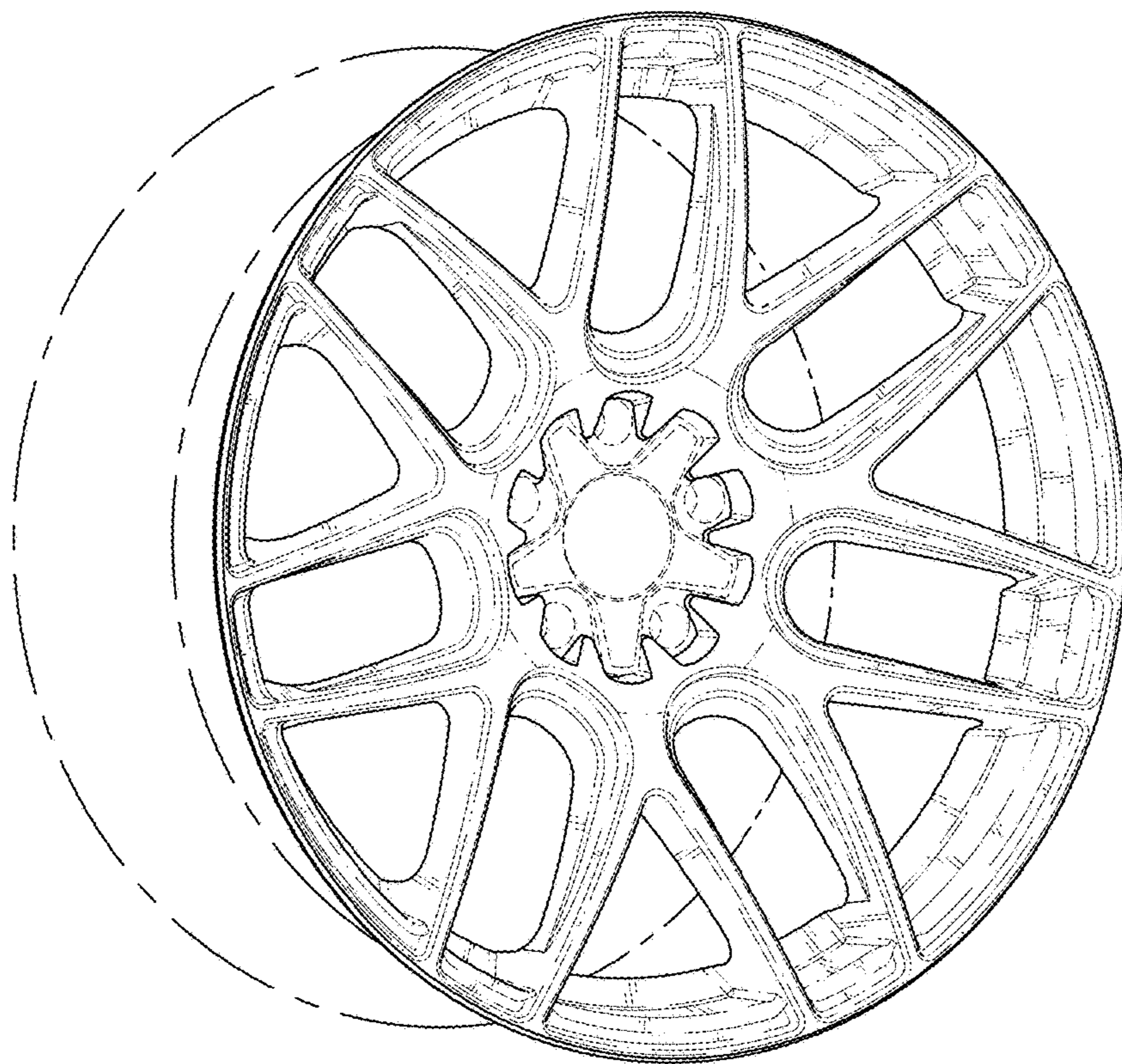
(56)

**References Cited**

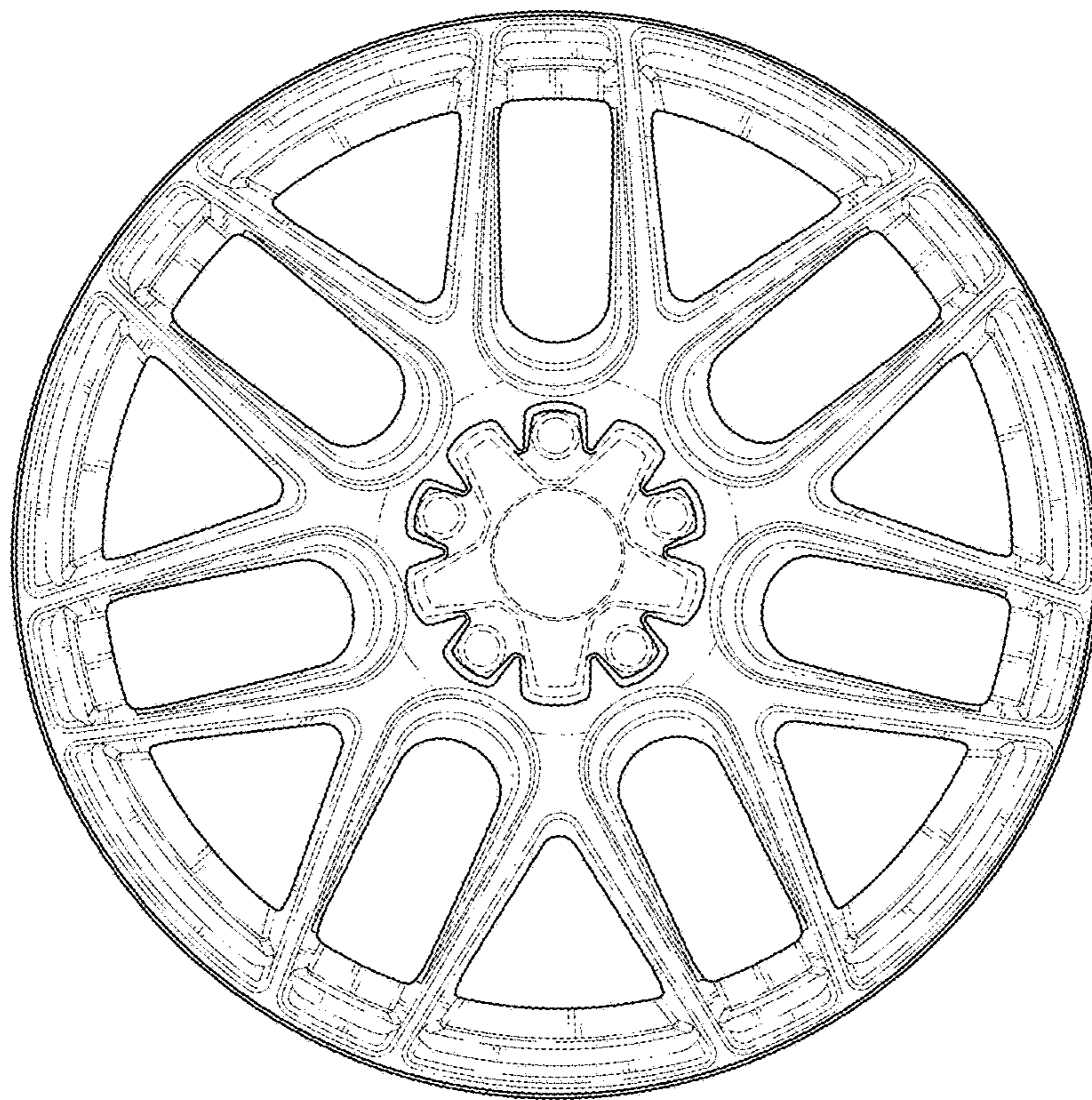
U.S. PATENT DOCUMENTS

D622,199	S	*	8/2010	Gallert	.....	D12/211
D638,762	S		5/2011	Hilpert		
D639,220	S		6/2011	Zhao		
D641,302	S		7/2011	Ettensberger		
D660,769	S	*	5/2012	Pollmann	.....	D12/211
D682,765	S		5/2013	Alfonso		
D695,183	S	*	12/2013	Chung	.....	D12/209
D702,174	S		4/2014	Gordon		
D722,545	S		2/2015	Chung		
D757,627	S	*	5/2016	Chung	.....	D12/211
D758,224	S	*	6/2016	Bolea	.....	G01N 21/76 D10/81
D760,142	S	*	6/2016	Chu	.....	D12/211
D778,223	S	*	2/2017	Chu	.....	D12/211
D778,799	S	*	2/2017	Gallert	.....	D12/211
D780,659	S	*	3/2017	Liffick	.....	D12/211
D782,387	S	*	3/2017	Chung	.....	D12/213
D787,408	S	*	5/2017	Alfonso	.....	D12/211
D795,775	S	*	8/2017	Simpson	.....	D12/211
D810,647	S	*	2/2018	Heizmann	.....	D12/209
D811,978	S	*	3/2018	Hodges	.....	D12/211
D830,935	S	*	10/2018	Zhao	.....	D12/209
D840,896	S	*	2/2019	Schmolz	.....	D12/209

\* cited by examiner



*FIG. 1*



*FIG. 2*

UNITED STATES PATENT AND TRADEMARK OFFICE  
**CERTIFICATE OF CORRECTION**

PATENT NO. : D854,996 S  
APPLICATION NO. : 29/598545  
DATED : July 30, 2019  
INVENTOR(S) : Suny Chung

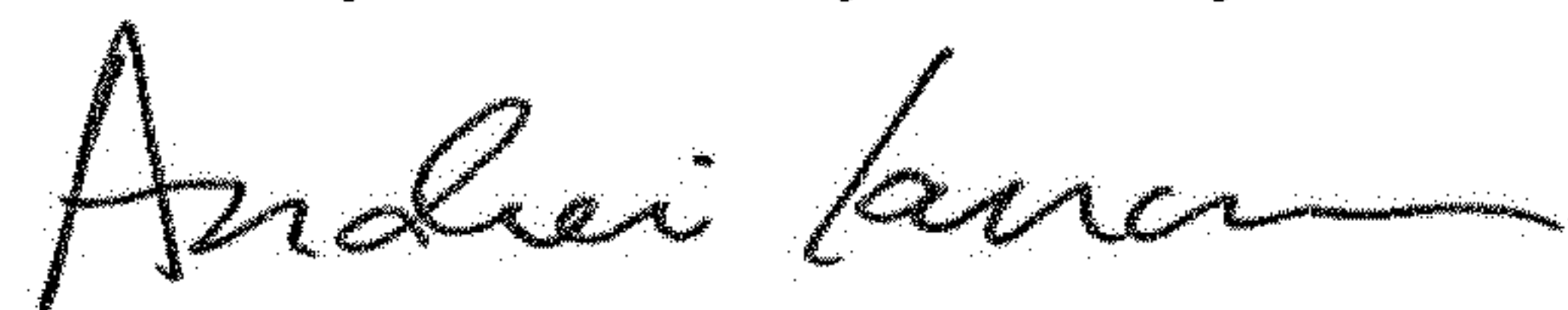
Page 1 of 1

It is certified that error appears in the above-identified patent and that said Letters Patent is hereby corrected as shown below:

On the Title Page

Item [63], delete "29/442,692," and insert --29/442,694,--.

Signed and Sealed this  
Twenty-sixth Day of May, 2020



Andrei Iancu  
*Director of the United States Patent and Trademark Office*