



US00D854991S

(12) **United States Design Patent** (10) **Patent No.:** **US D854,991 S**  
**Whitla et al.** (45) **Date of Patent:** **\*\* Jul. 30, 2019**

(54) **VEHICLE SIDE MIRROR**  
(71) Applicant: **GM GLOBAL TECHNOLOGY OPERATIONS LLC**, Detroit, MI (US)  
(72) Inventors: **Guy W. Whitla**, Rochester Hills, MI (US); **Hakan Demir**, Istanbul (TR)  
(73) Assignee: **GM GLOBAL TECHNOLOGY OPERATIONS LLC**, Detroit, MI (US)  
(\*\*) Term: **15 Years**  
(21) Appl. No.: **29/586,309**  
(22) Filed: **Dec. 2, 2016**  
(51) **LOC (11) Cl.** ..... **12-16**  
(52) **U.S. Cl.**  
USPC ..... **D12/187**  
(58) **Field of Classification Search**  
USPC ..... D12/187, 188, 189, 195, 179, 192;  
D6/300, 309  
CPC ..... B60R 1/06; B60R 1/074; B60R 1/076;  
B60R 1/082; B60R 1/081; B60R 1/08;  
B60R 1/078; G02B 7/18; G02B 7/182;  
G02B 5/08  
See application file for complete search history.

D608,691 S 1/2010 Zak, Jr. et al.  
D609,608 S 2/2010 Boniface et al.  
D611,387 S 3/2010 Thompson et al.  
D612,297 S 3/2010 Peters et al.  
D613,645 S 4/2010 Song et al.  
D615,458 S 5/2010 Thompson et al.  
D618,595 S 6/2010 Ware et al.  
D619,946 S \* 7/2010 Lamm ..... D12/187  
D623,090 S 9/2010 Cox et al.  
D627,262 S 11/2010 Ikeda et al.  
D635,488 S 4/2011 Phipps  
D644,147 S 8/2011 Suh et al.  
D644,567 S 9/2011 Kozub  
D657,718 S 4/2012 Zipfel et al.  
D659,052 S 5/2012 Ware et al.  
D659,053 S 5/2012 Ware et al.  
D668,182 S 10/2012 Barba Franco et al.  
D668,183 S 10/2012 Smart  
D678,820 S 3/2013 Son et al.  
D678,821 S 3/2013 Ikeda et al.  
D680,909 S 4/2013 Munson et al.  
D680,910 S 4/2013 David  
(Continued)

*Primary Examiner* — Susan E Krakower  
*Assistant Examiner* — Jerry Shiuan-Hua Hsu

(57) **CLAIM**

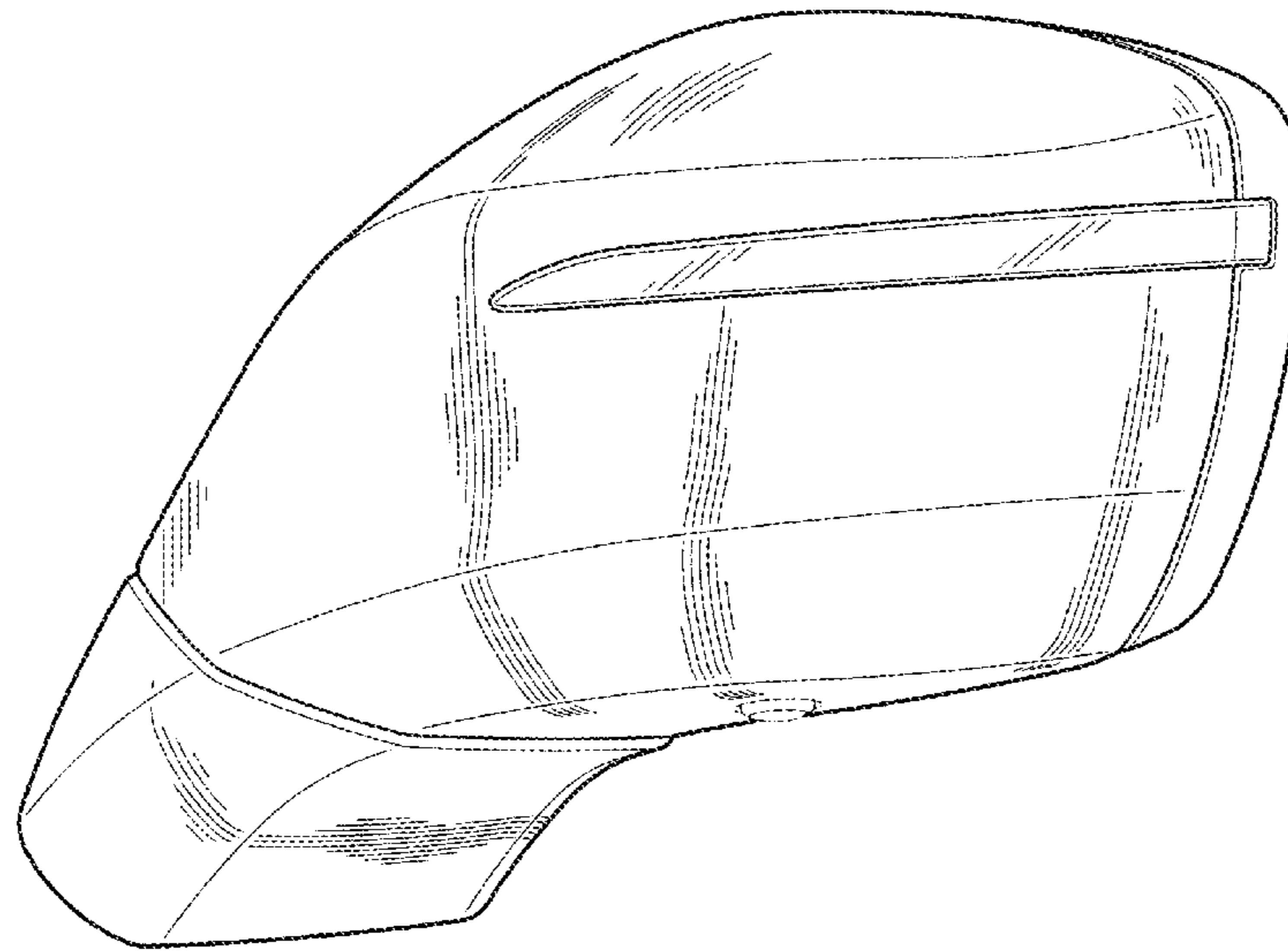
The ornamental design for a vehicle side mirror, as shown and described.

**DESCRIPTION**

FIG. 1 is a perspective view of the vehicle side mirror;  
FIG. 2 is a front view thereof;  
FIG. 3 is a side view thereof;  
FIG. 4 is a rear view thereof;  
FIG. 5 is a top view thereof; and,  
FIG. 6 is a bottom view thereof.  
The broken lines shown in the drawings depict portions of the vehicle side mirror that form no part of the claimed design.

**1 Claim, 3 Drawing Sheets**

(56) **References Cited**  
U.S. PATENT DOCUMENTS  
D592,105 S 5/2009 Dean et al.  
D597,447 S 8/2009 Folden  
D600,595 S 9/2009 Nakamura et al.  
D601,925 S 10/2009 O'Donnell  
D603,755 S 11/2009 Peters  
D604,203 S 11/2009 O'Donnell  
D605,082 S 12/2009 Munson  
D605,083 S 12/2009 Manoogian, II et al.  
D605,977 S 12/2009 Zipfel et al.  
D605,978 S 12/2009 Wolff et al.  
D608,690 S 1/2010 Folden et al.



(56)

**References Cited**

U.S. PATENT DOCUMENTS

D684,899	S	6/2013	Baker	
D691,078	S *	10/2013	Hwang .....	D12/187
D691,531	S *	10/2013	Rupar .....	D12/187
D718,689	S *	12/2014	Blanski .....	D12/187
D724,510	S	3/2015	McMahan et al.	
D746,196	S *	12/2015	Di Buduo .....	D12/187
D761,173	S *	7/2016	Faghihzadeh .....	D12/187
D782,379	S *	3/2017	Wassell .....	D12/187
D783,478	S *	4/2017	Suzuki .....	D12/187
D784,226	S *	4/2017	Cheng .....	D12/187
D793,311	S *	8/2017	Whitla .....	D12/187
D798,208	S *	9/2017	Zavatski .....	D12/187
D798,782	S *	10/2017	Tseng .....	D12/187
D800,039	S *	10/2017	Bucher .....	D12/187
D804,379	S *	12/2017	McMahan .....	D12/187
D805,979	S *	12/2017	Kubota .....	D12/187
D813,126	S *	3/2018	Scheinhutte .....	D12/187
2017/0253184	A1 *	9/2017	Nishimoto .....	B60R 1/06

\* cited by examiner

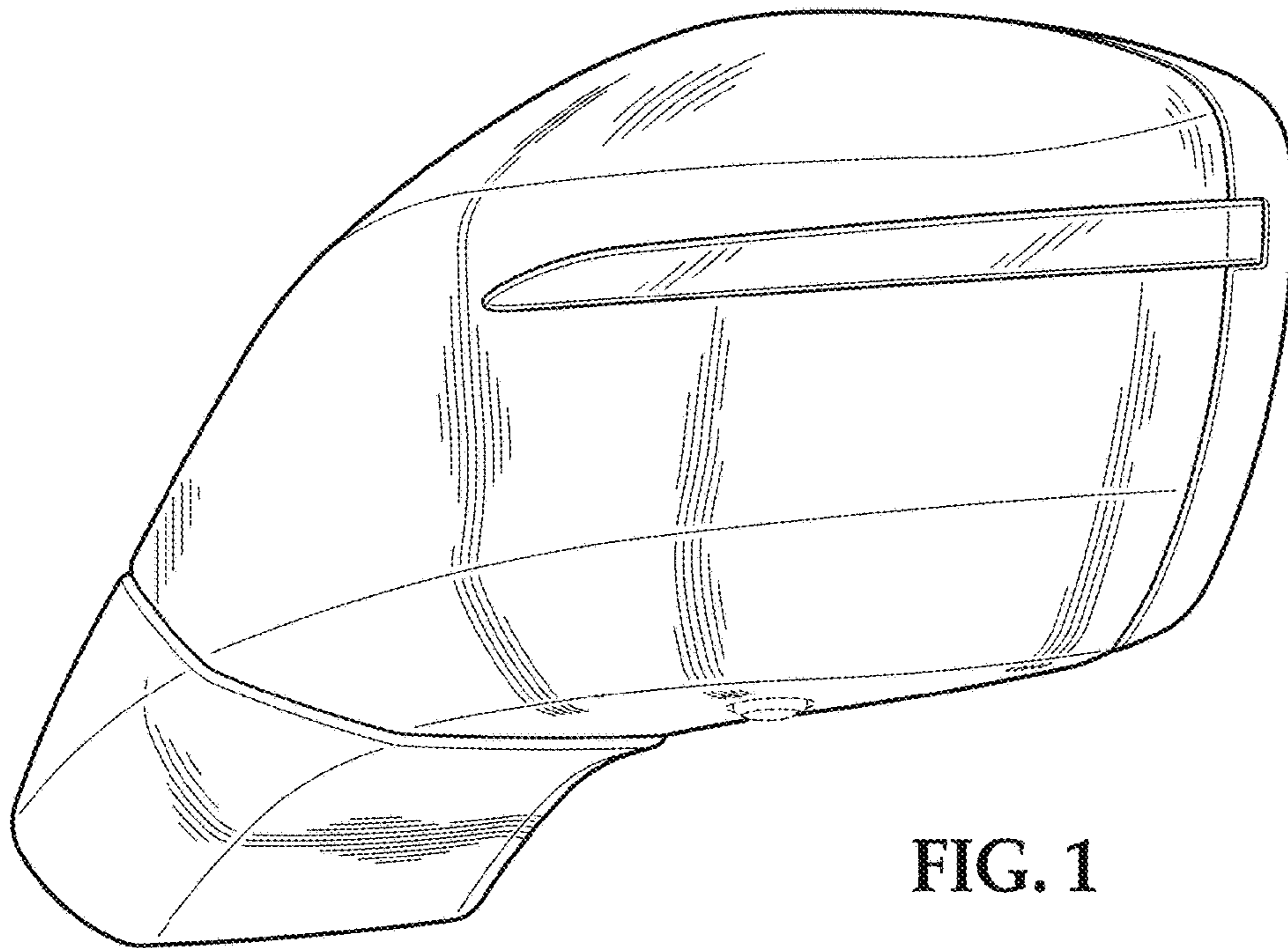
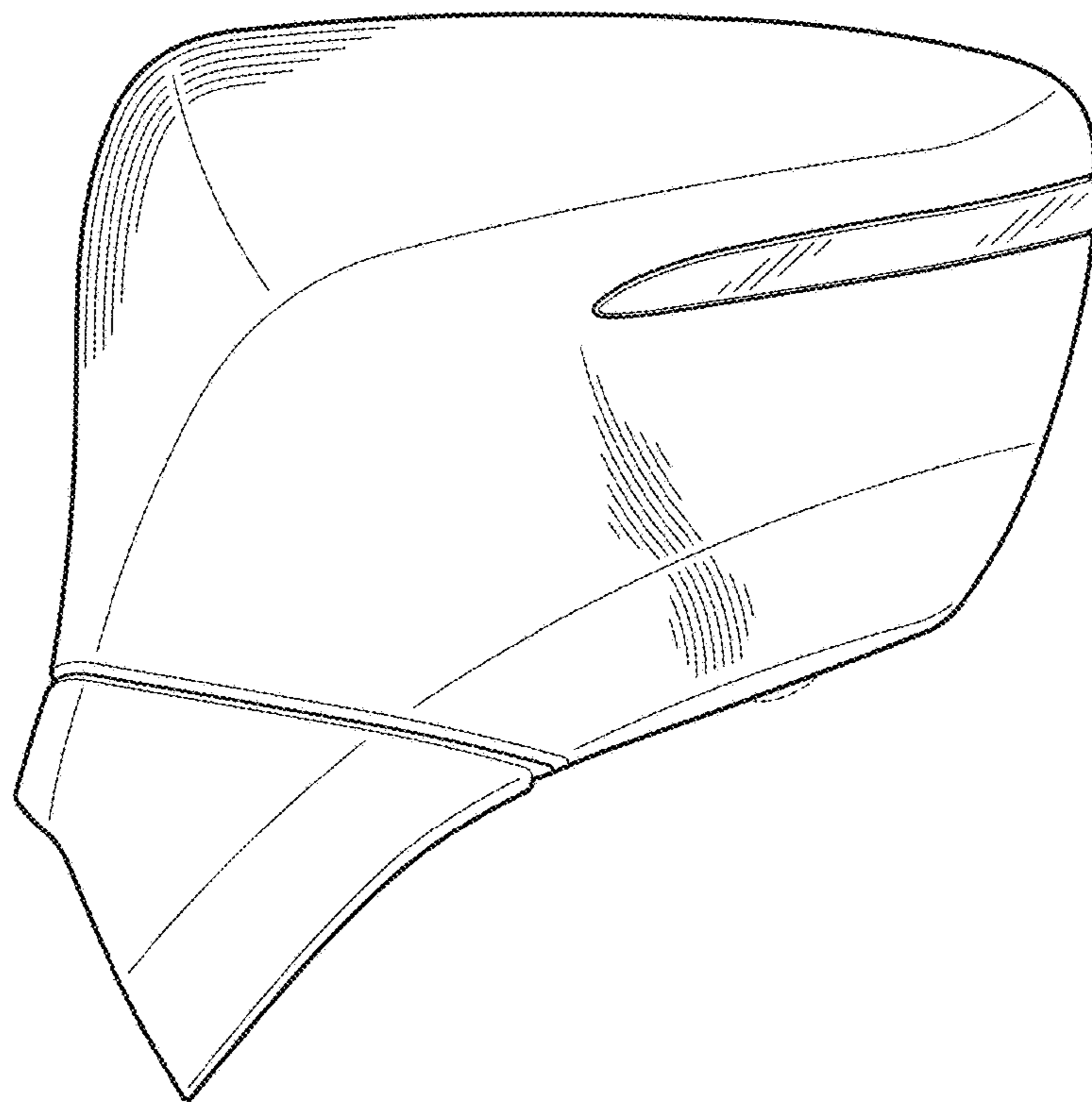


FIG. 1

FIG. 2



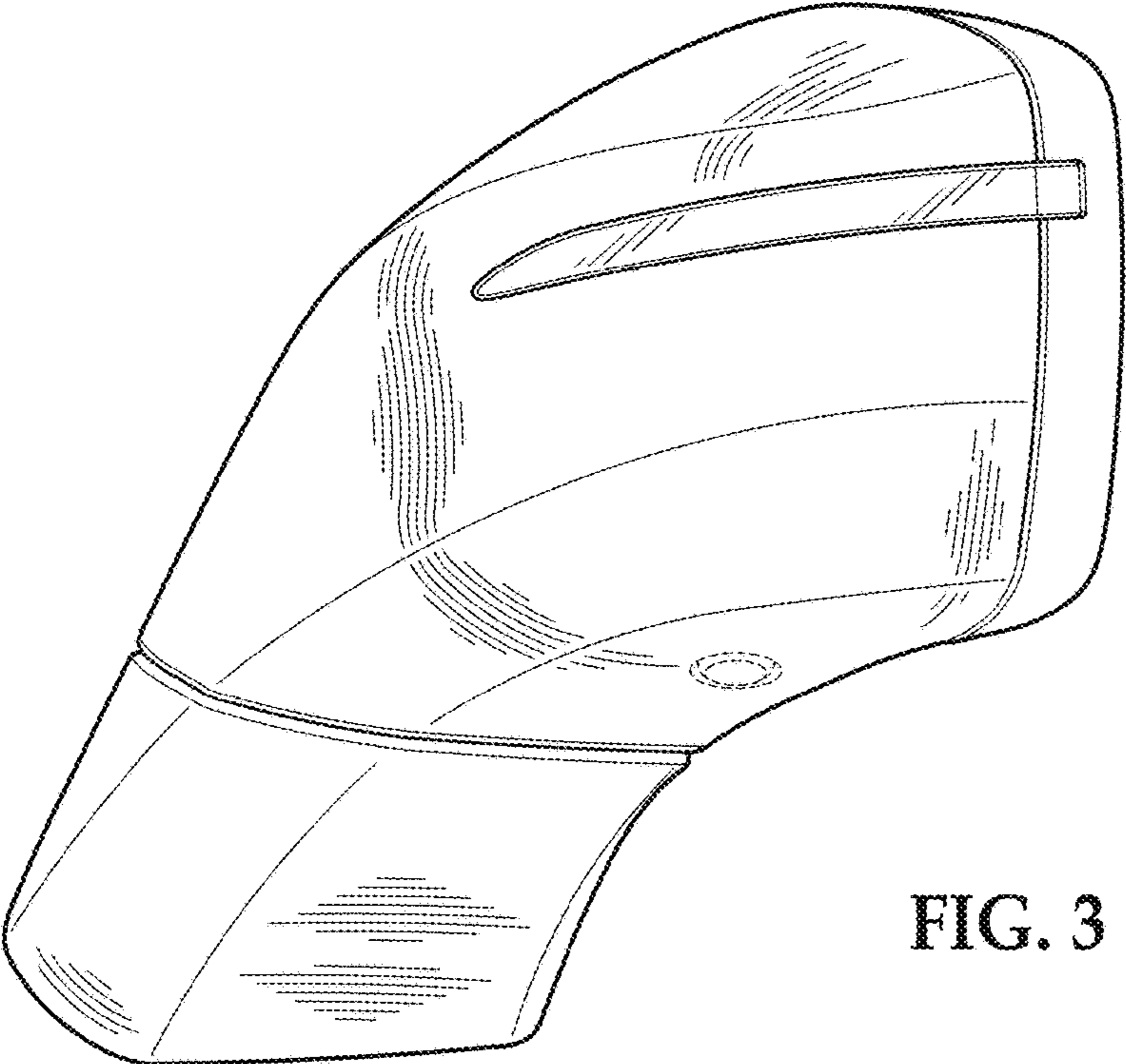


FIG. 3

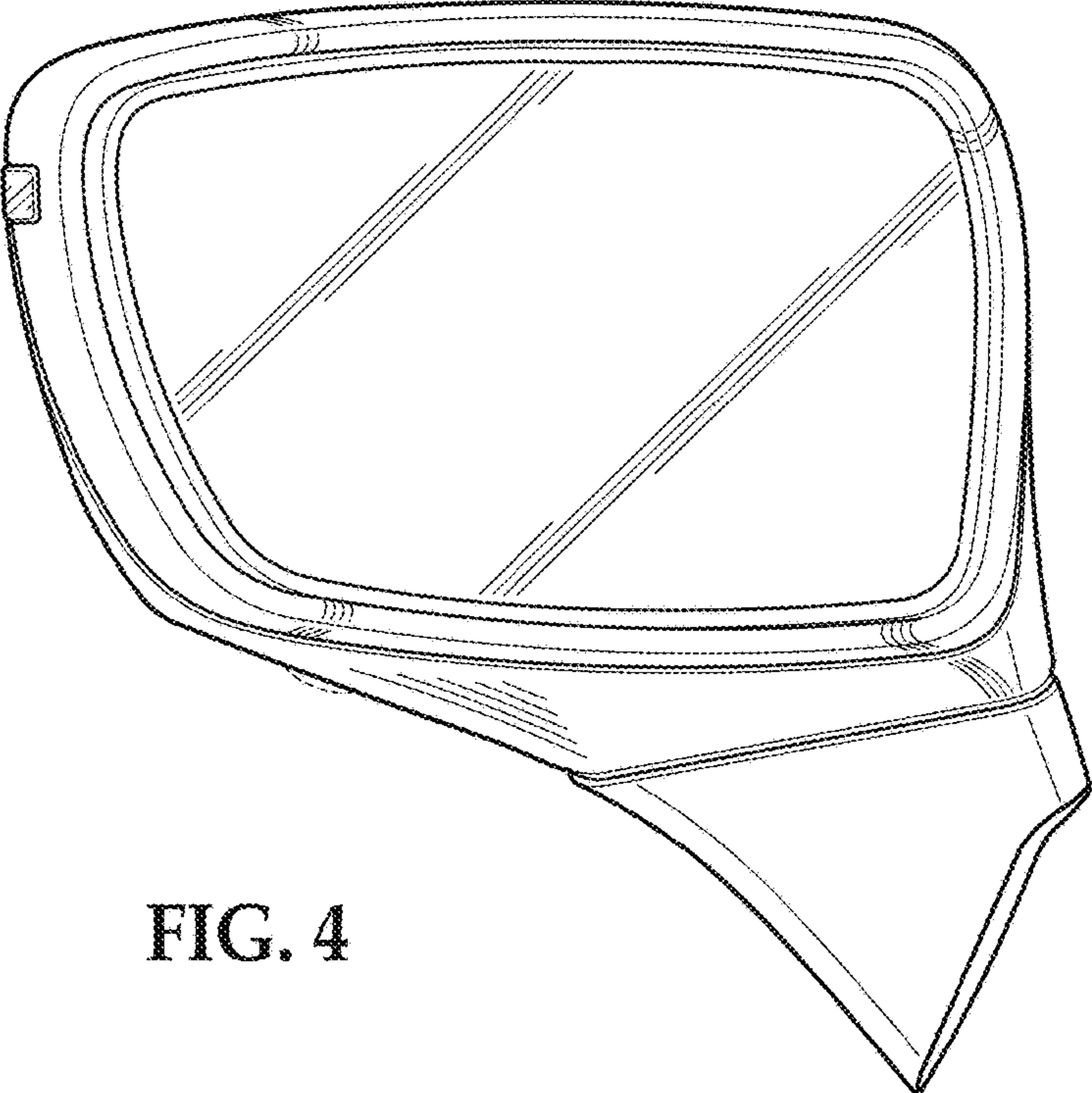


FIG. 4

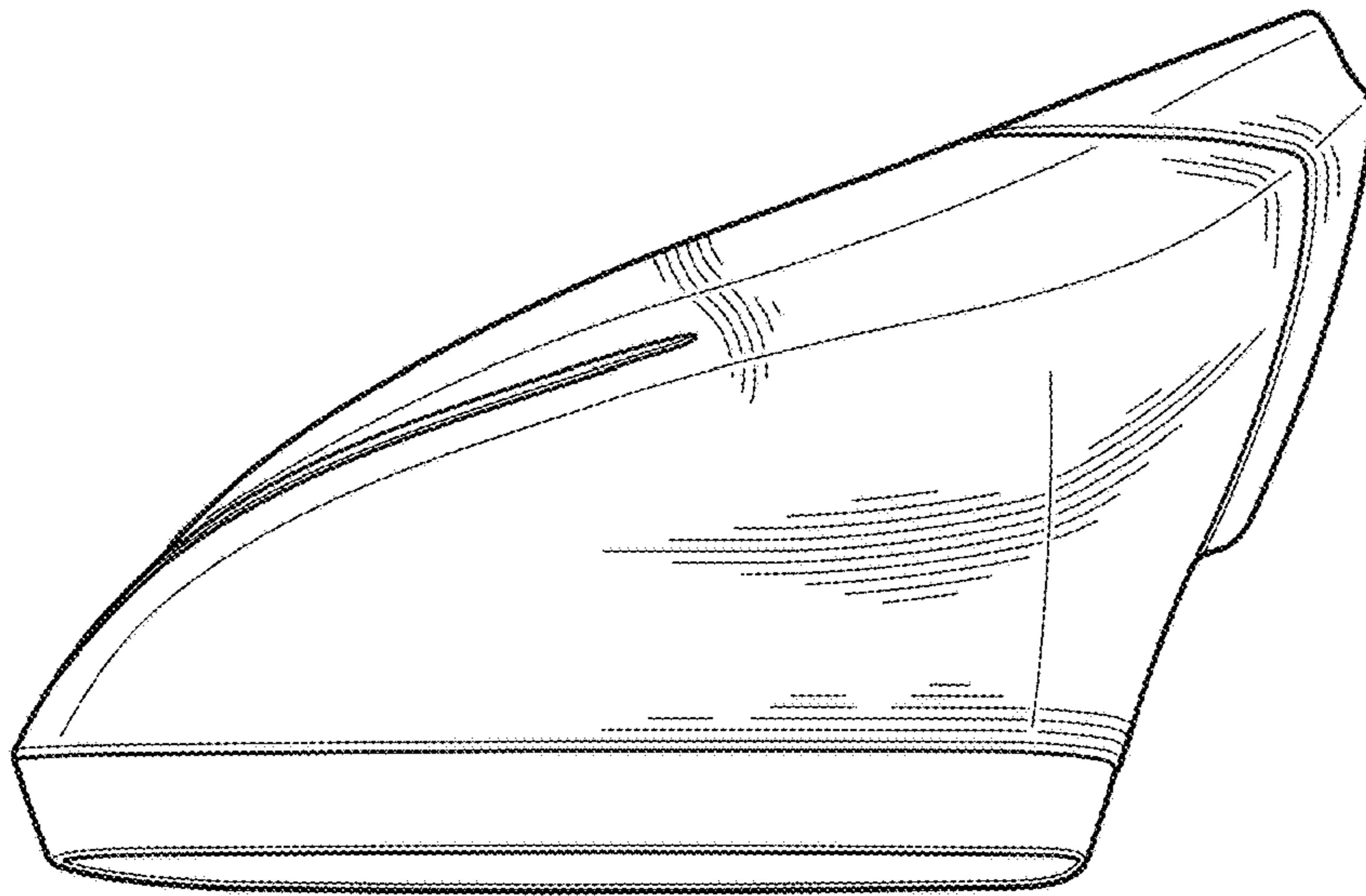


FIG. 5

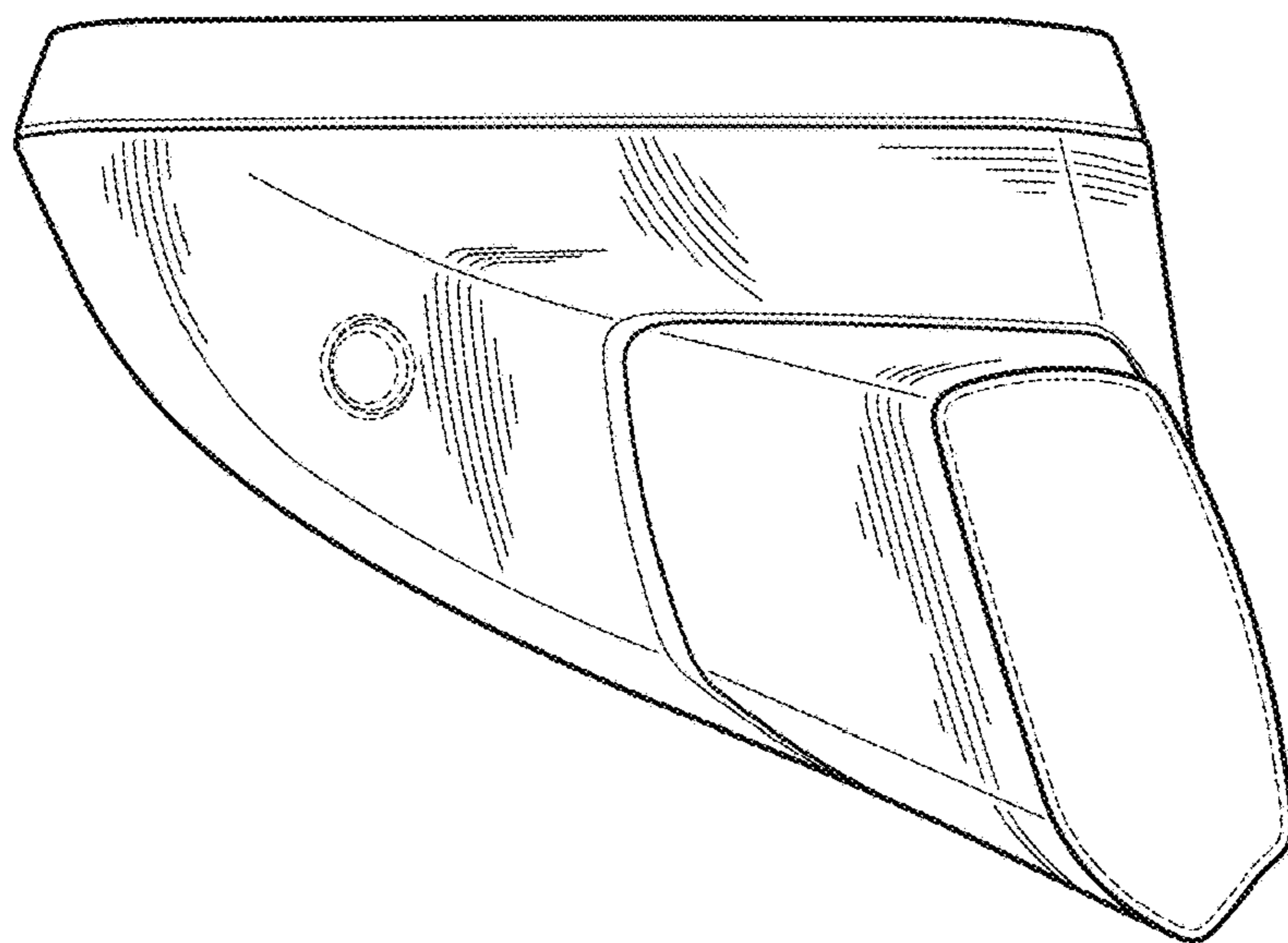


FIG. 6