



US00D854985S

(12) **United States Design Patent**
Comenduli et al.

(10) **Patent No.:** **US D854,985 S**

(45) **Date of Patent:** **** Jul. 30, 2019**

(54) **DISC BRAKE CALIPER**

(71) Applicant: **FRENI BREMBO S.p.A.**, Curno,
Bergamo (IT)

(72) Inventors: **Alberto Comenduli**, Curno (IT);
Roberto Arienti, Curno (IT); **Carlo Cantoni**, Curno (IT)

(73) Assignee: **FRENI BREMBO S.p.A.** (IT)

(**) Term: **15 Years**

(21) Appl. No.: **29/608,110**

(22) Filed: **Jun. 19, 2017**

(30) **Foreign Application Priority Data**

Dec. 19, 2016 (IT) 402016000128146

(51) **LOC (11) Cl.** **12-16**

(52) **U.S. Cl.**
USPC **D12/180**

(58) **Field of Classification Search**

USPC D12/123, 179, 180
CPC F16D 55/224; F16D 55/227; F16D 55/00;
F16D 65/0977; F16D 65/18

See application file for complete search history.

(56) **References Cited**

U.S. PATENT DOCUMENTS

D520,924 S * 5/2006 Gotti D12/180
D555,555 S * 11/2007 Ikuzawa D12/180
D619,063 S * 7/2010 Veneziano D12/180
D642,100 S * 7/2011 Crippa D12/180
D785,520 S * 5/2017 Bonetti D12/180

D790,417 S * 6/2017 Bertone D12/180
D804,375 S * 12/2017 Crippa D12/180
D812,534 S * 3/2018 Scheibe D12/180
9,970,495 B2 * 5/2018 Crippa F16D 65/0977
2008/0017458 A1 * 1/2008 Aydt F16D 55/00
188/73.1
2015/0027821 A1 * 1/2015 Nessi F16D 55/224
188/72.3
2016/0208872 A1 * 7/2016 Morio F16D 65/18
2018/0031060 A1 * 2/2018 Huang F16D 55/227

* cited by examiner

Primary Examiner — Susan E Krakower

Assistant Examiner — Jerry Shiuan-Hua Hsu

(74) *Attorney, Agent, or Firm* — Saidman DesignLaw Group, LLC

(57) **CLAIM**

The ornamental design for a disc brake caliper, as shown and described.

DESCRIPTION

FIG. 1 is a front perspective view of a disc brake caliper showing our new design;

FIG. 2 is a rear perspective view thereof;

FIG. 3 is a front view thereof;

FIG. 4 is a rear view thereof;

FIG. 5 is a left side view thereof;

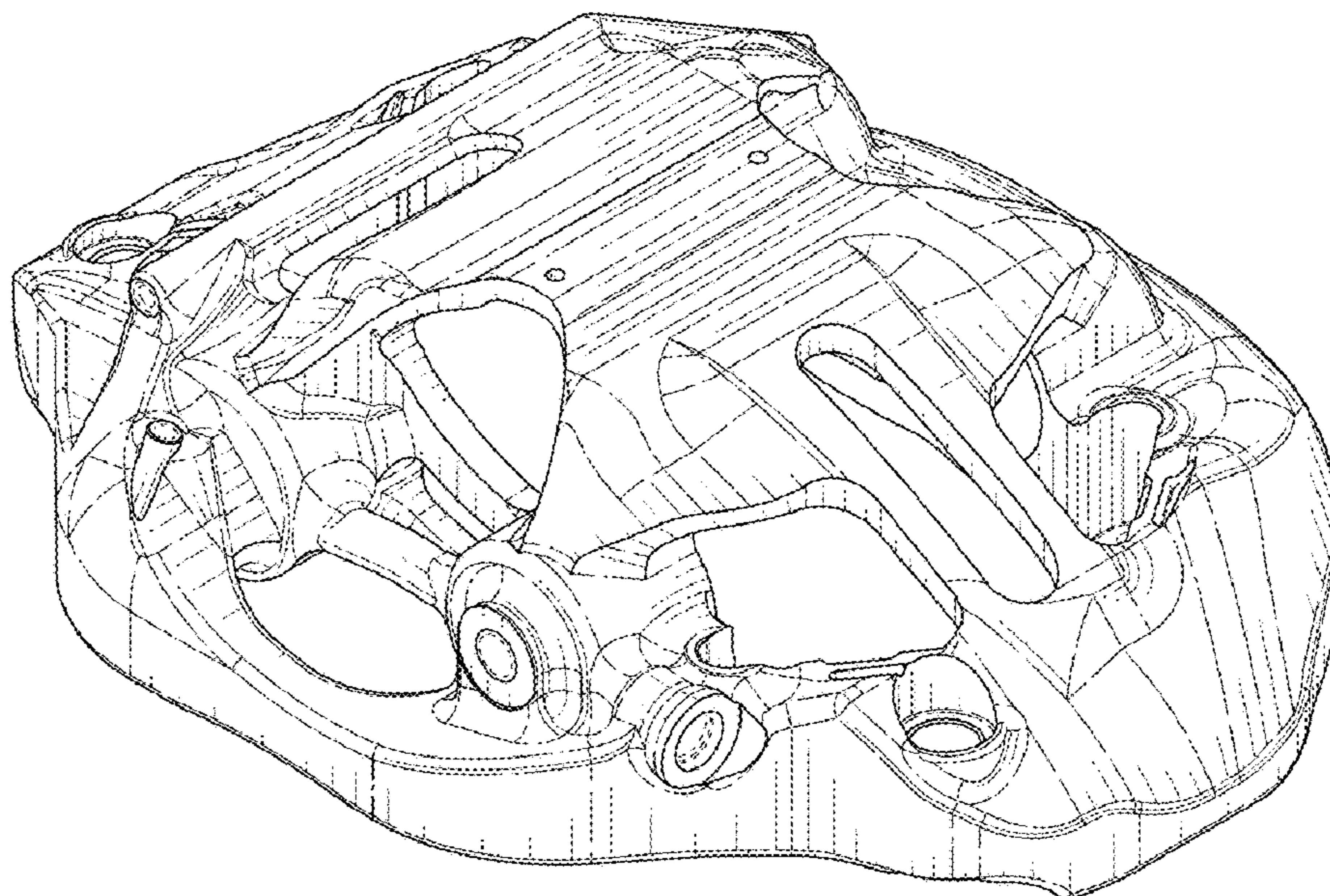
FIG. 6 is a right side view thereof;

FIG. 7 is a top view thereof; and,

FIG. 8 is a bottom view thereof.

The broken lines illustrate portions of the disc brake caliper which form no part of the claimed design.

1 Claim, 5 Drawing Sheets



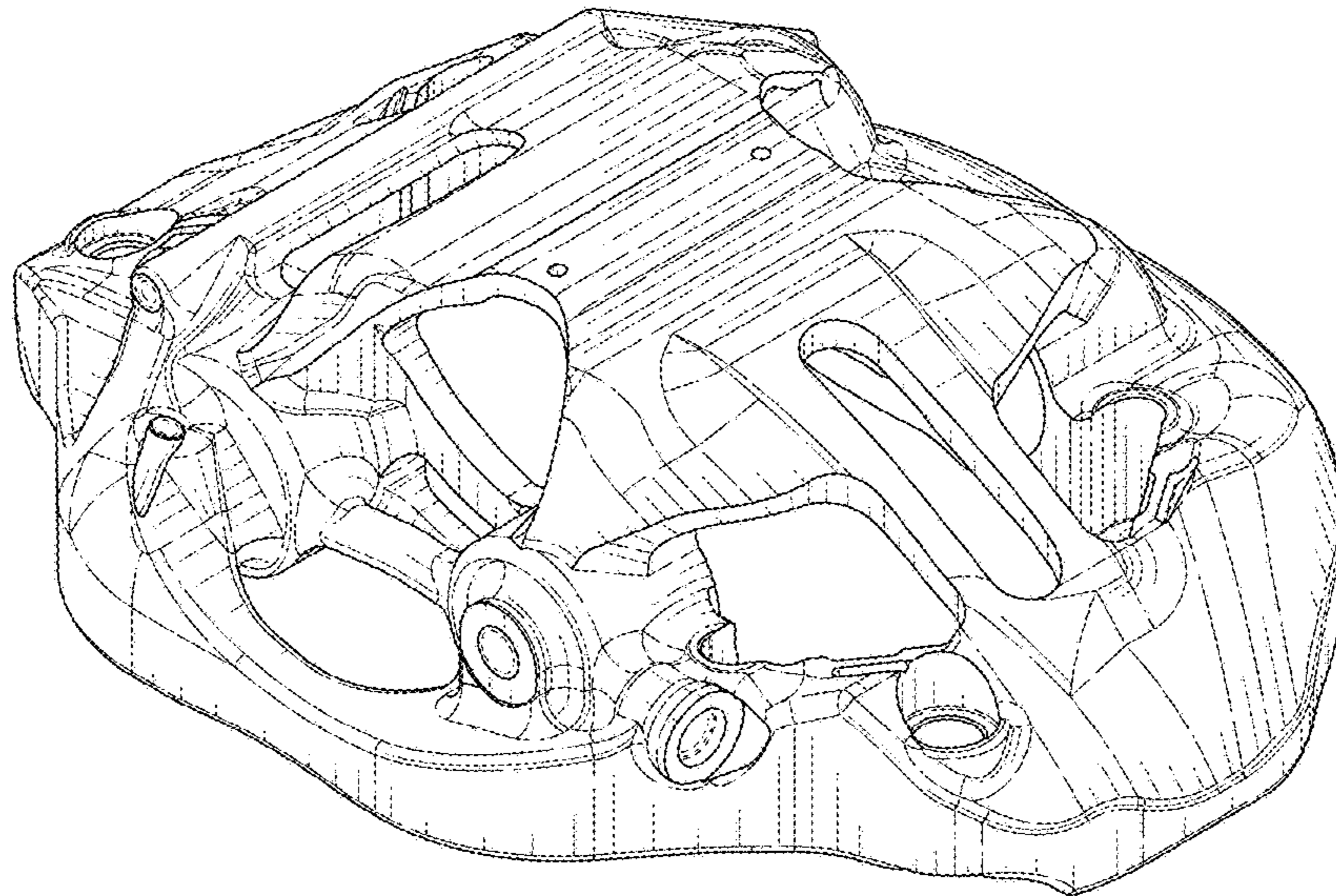


FIG. 1

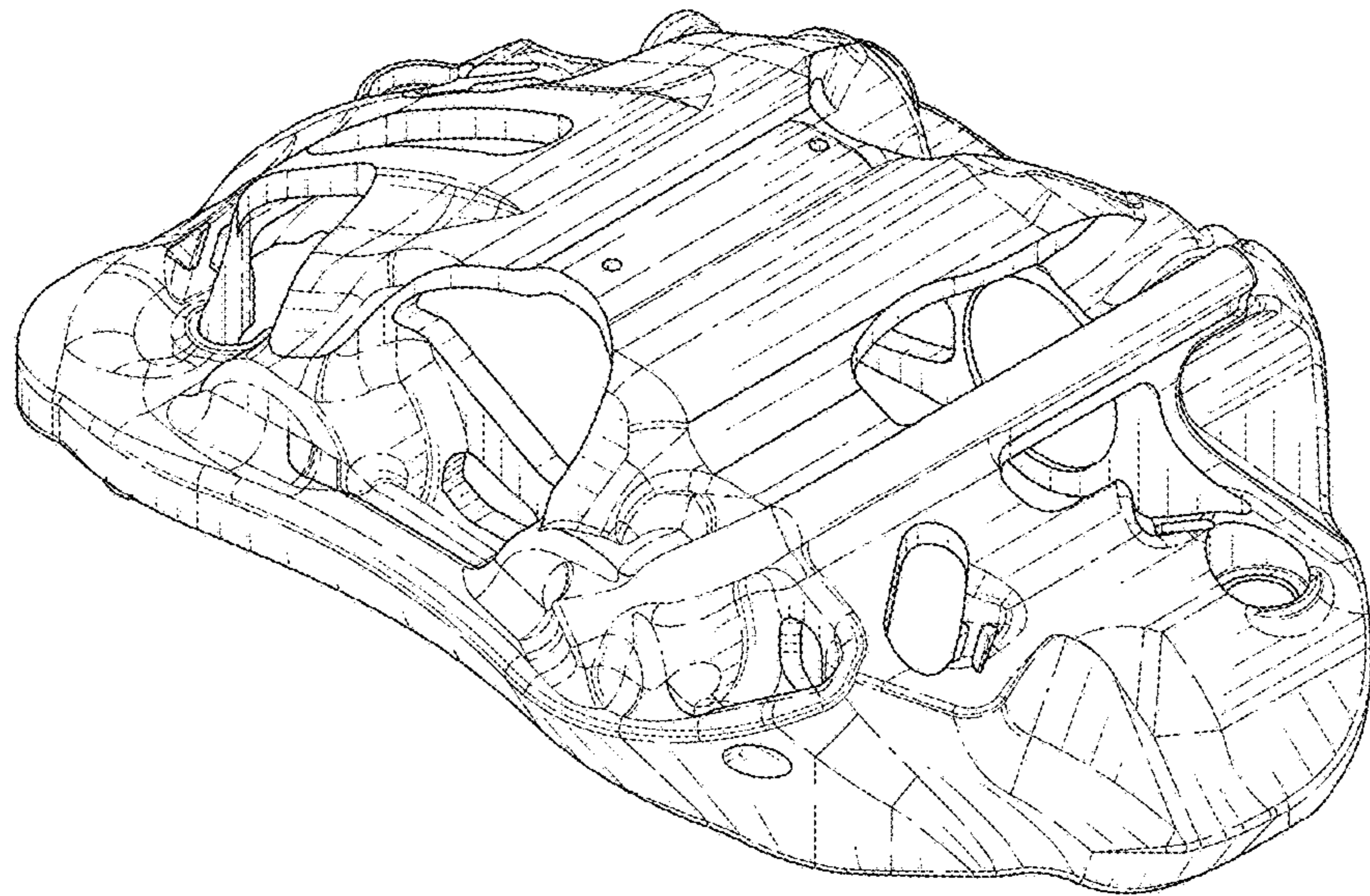


FIG. 2

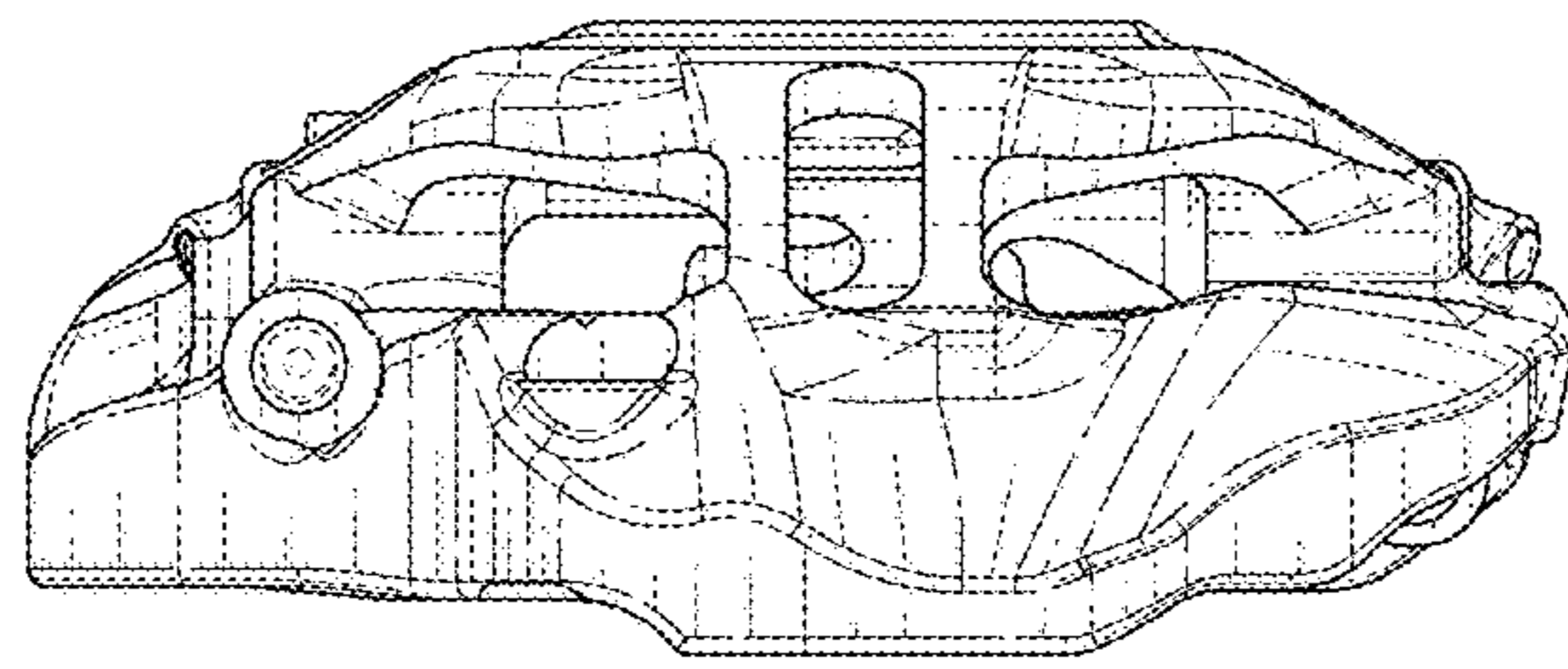


FIG. 3

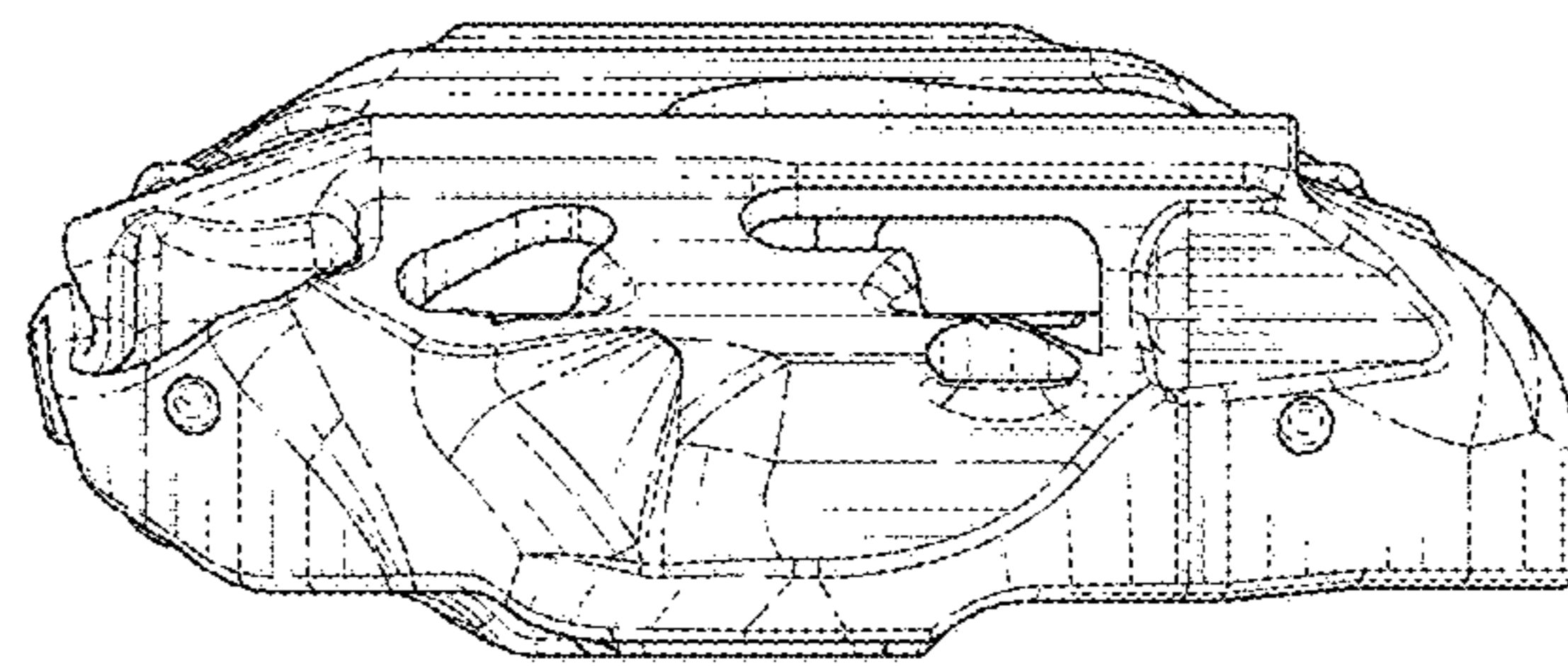


FIG. 4

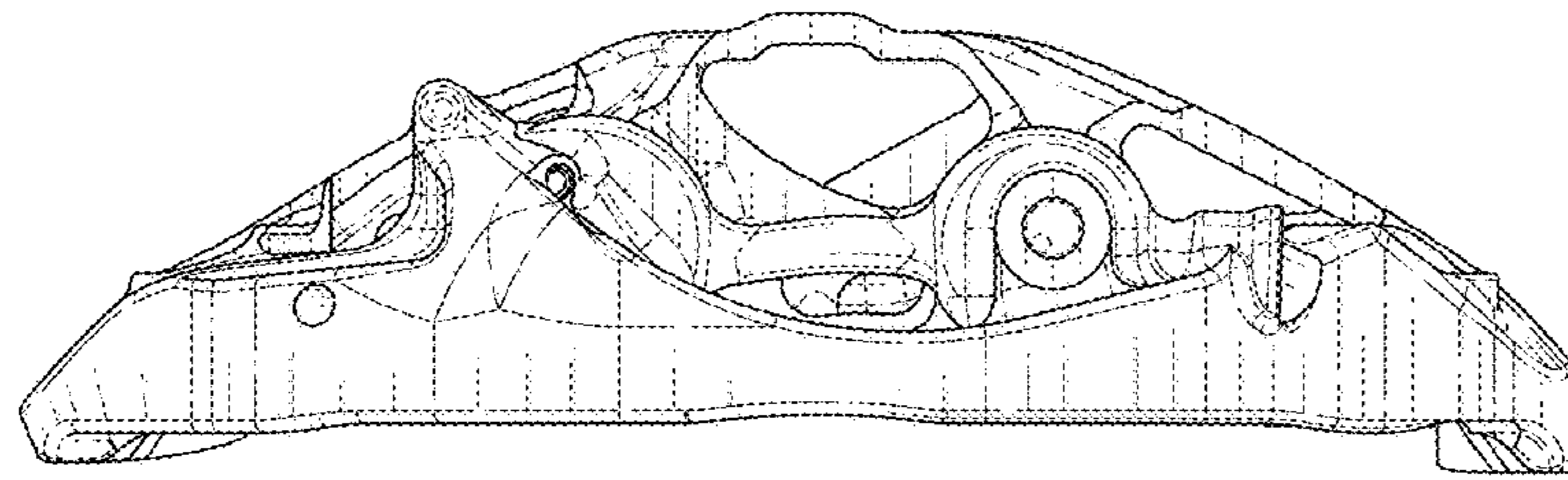


FIG. 5

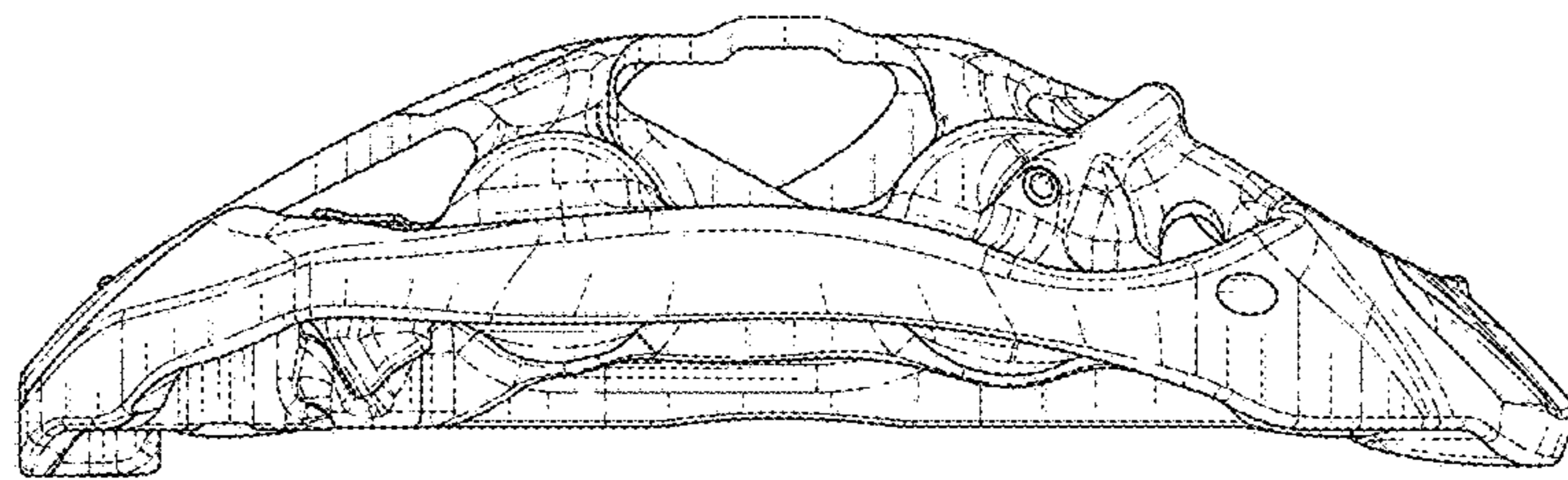


FIG. 6

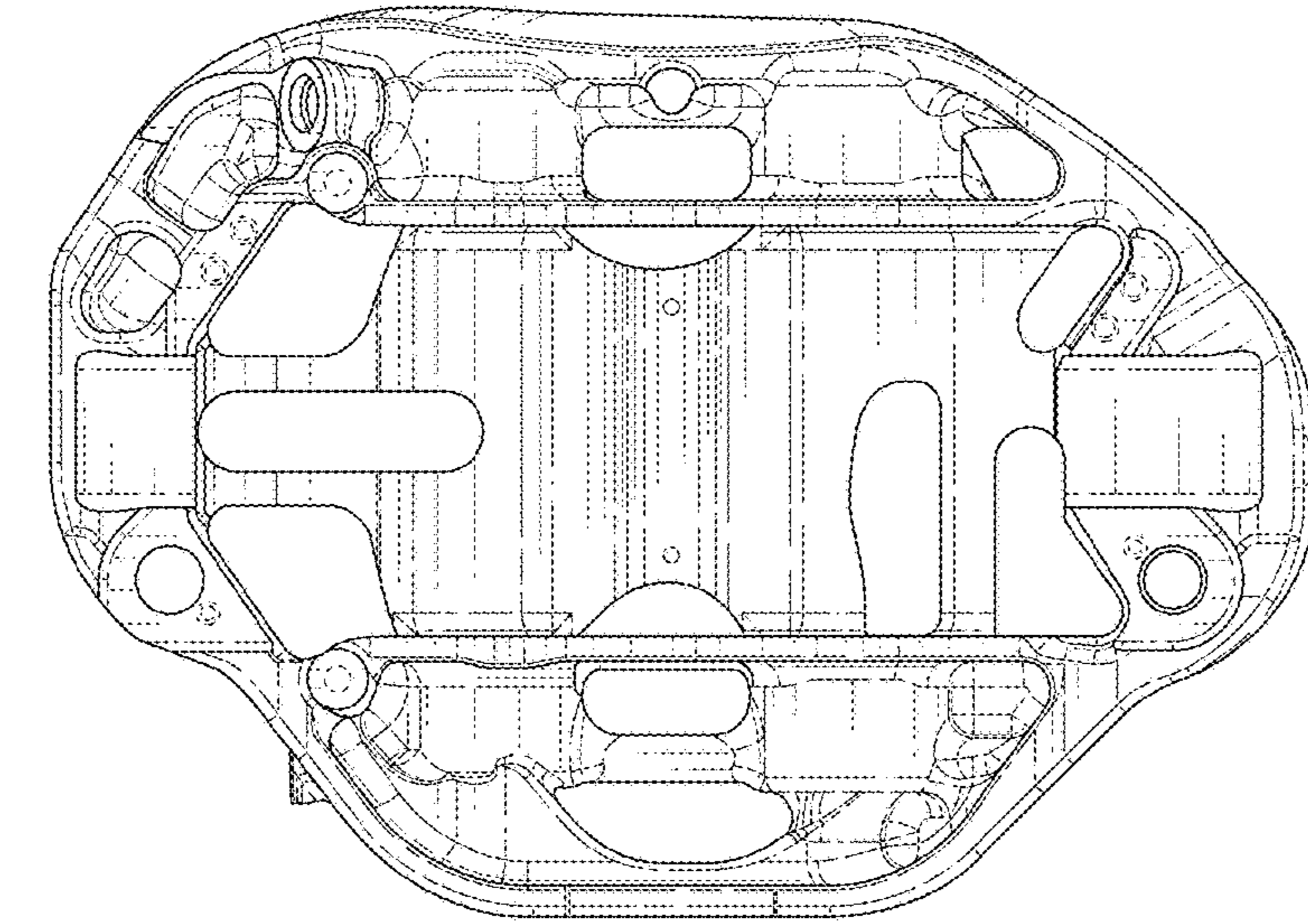


FIG. 7

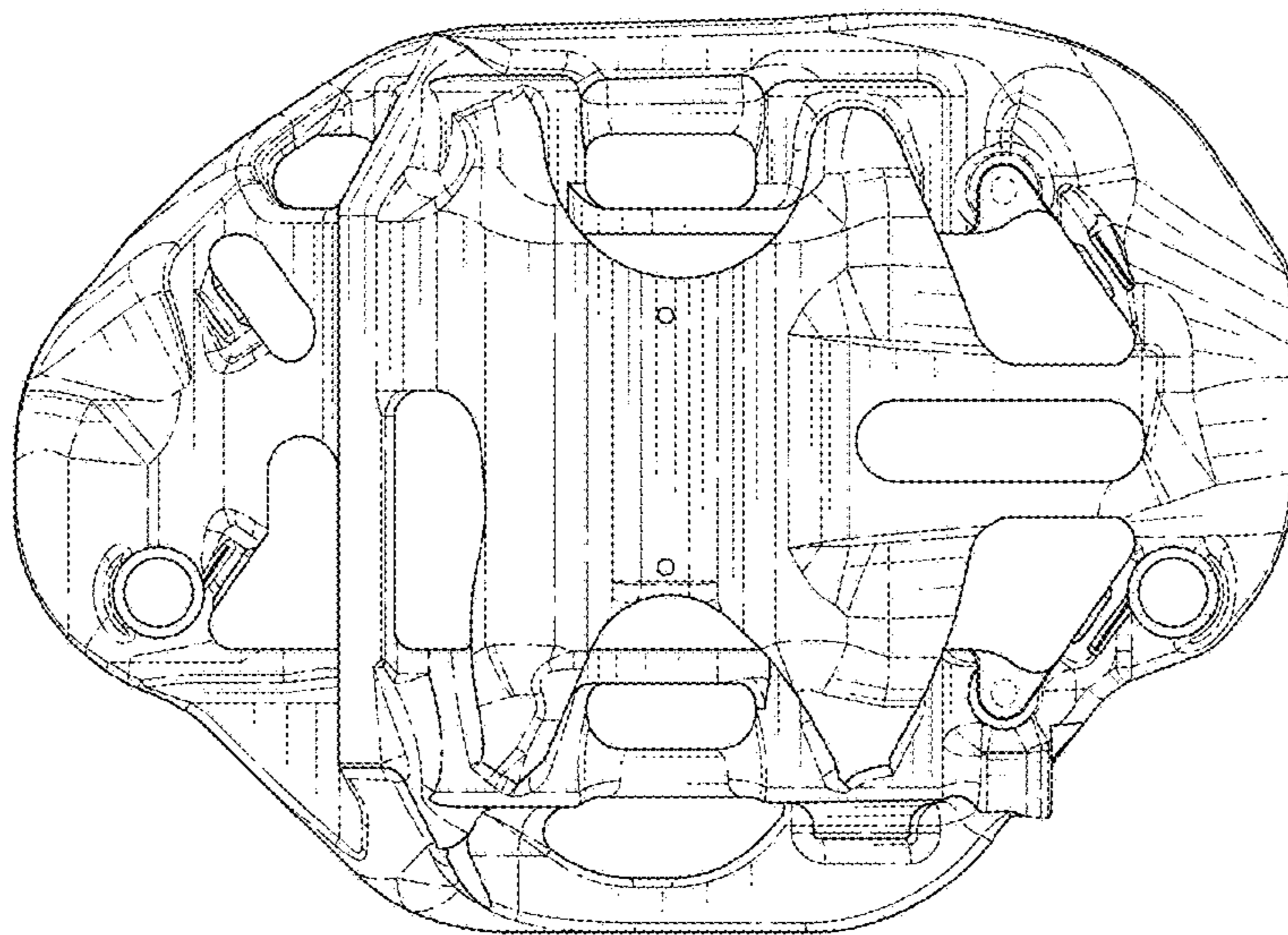


FIG. 8