



US00D854983S

(12) **United States Design Patent**
Katou

(10) **Patent No.:** **US D854,983 S**

(45) **Date of Patent:** **** Jul. 30, 2019**

(54) **REAR BUMPER FOR AUTOMOBILE**

(71) Applicant: **Nissan Motor Co., Ltd.**, Yokohama,
Kanagawa (JP)

(72) Inventor: **Tadashi Katou**, Kanagawa (JP)

(73) Assignee: **Nissan Motor Co., Ltd.**, Yokohama
(JP)

(**) Term: **15 Years**

(21) Appl. No.: **29/644,169**

(22) Filed: **Apr. 16, 2018**

(30) **Foreign Application Priority Data**

Oct. 17, 2017 (JP) 2017-022896

(51) **LOC (11) Cl.** **12-16**

(52) **U.S. Cl.**
USPC **D12/169**

(58) **Field of Classification Search**
USPC D12/169, 216, 90-92, 86, 171, 196, 163,
D12/190; 293/193.11; 296/180.1, 180.2;
180/68.1, 68.6
CPC B62D 25/08; B62B 9/16; B60K 11/08;
B60R 19/52; B60R 19/02; B60R 19/04

See application file for complete search history.

(56) **References Cited**

U.S. PATENT DOCUMENTS

D653,593 S * 2/2012 Nishihama D12/169
D683,285 S * 5/2013 Yoshida D12/169

D705,140 S * 5/2014 Kawasaki D12/169
D745,838 S * 12/2015 Yamamoto D12/169
D779,395 S * 2/2017 Horie D12/169
D791,654 S * 7/2017 Cartabiano D12/169
D807,799 S * 1/2018 Kimura D12/169
D814,990 S * 4/2018 Ino D12/169
D830,905 S * 10/2018 Nakajima D12/91

* cited by examiner

Primary Examiner — Melody N Brown

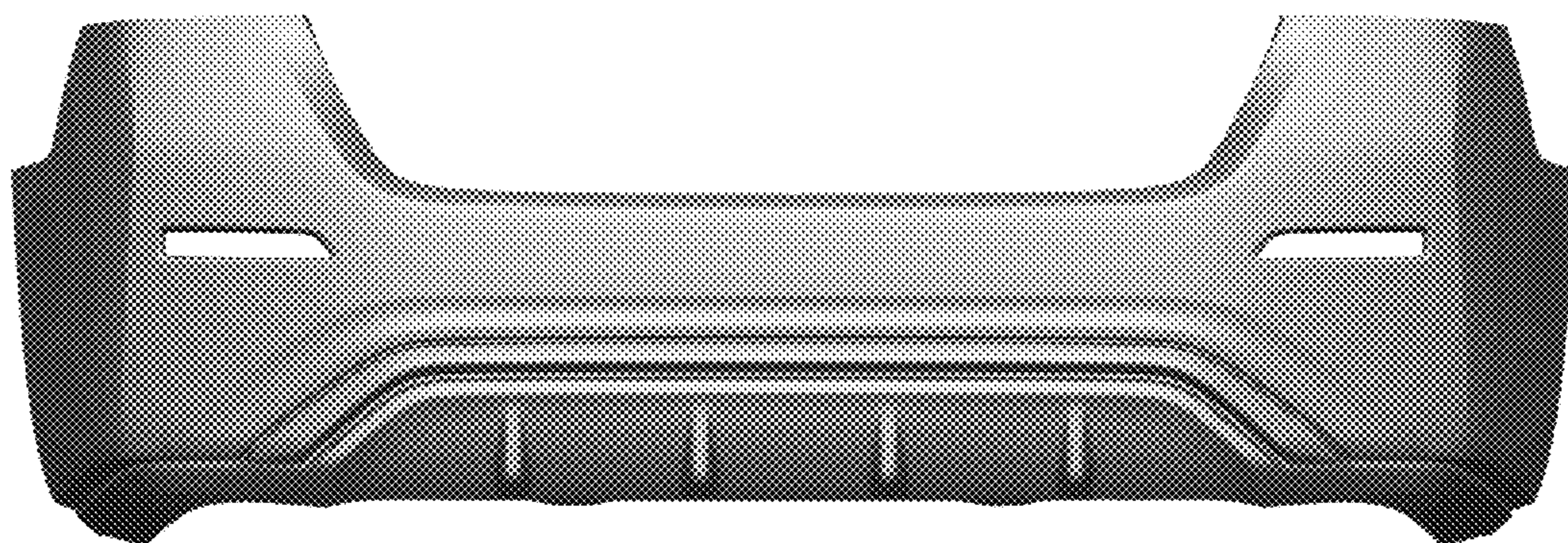
(57) **CLAIM**

The ornamental design for a rear bumper for automobile, as shown and described.

DESCRIPTION

FIG. 1 is a front elevational view of a rear bumper for automobile in accordance with my new design;
FIG. 2 is a top plan view thereof;
FIG. 3 is a bottom plan view thereof;
FIG. 4 is a left side elevational view thereof;
FIG. 5 is a right side elevational view thereof;
FIG. 6 is a bottom, front and left side perspective view thereof; and,
FIG. 7 is a top, front and right side perspective view thereof.
The rear view of the rear bumper for automobile forms no part of the claimed design. The inside surfaces of the rear bumper for automobile, shown in broken lines in FIGS. 2, 6 and 7, form no part of the claimed design since the inside surfaces are hidden when the rear bumper for automobile is mounted to the automobile.

1 Claim, 7 Drawing Sheets



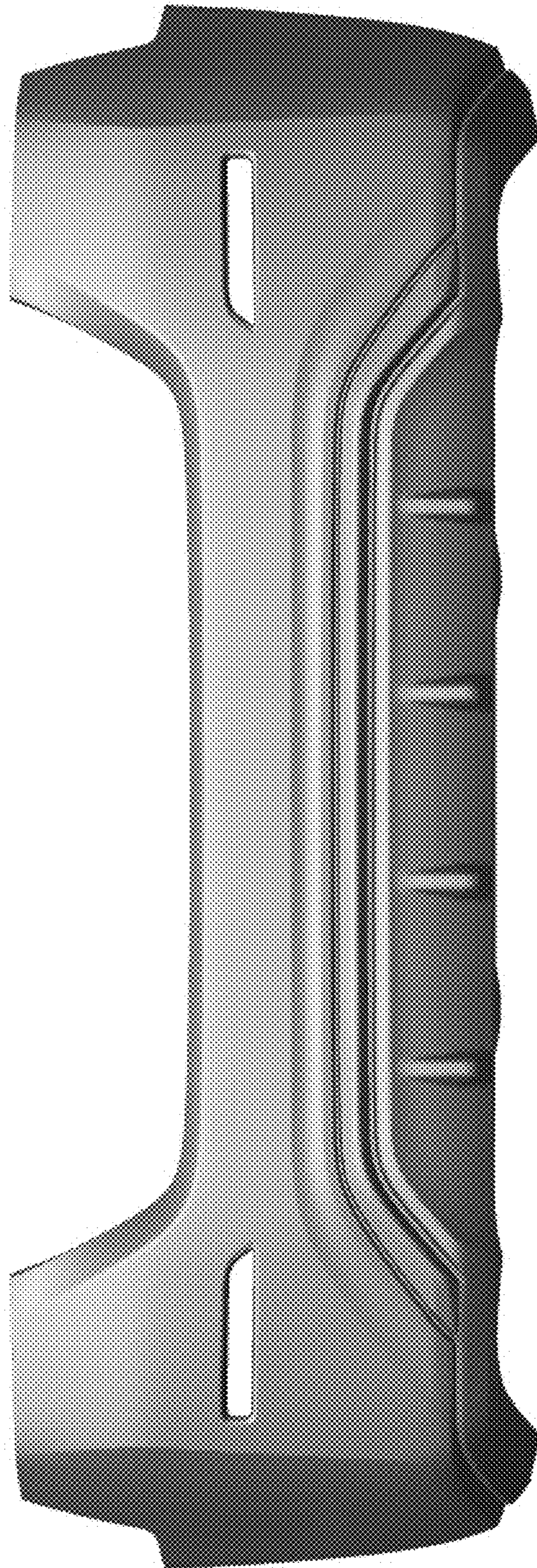


FIG. 1

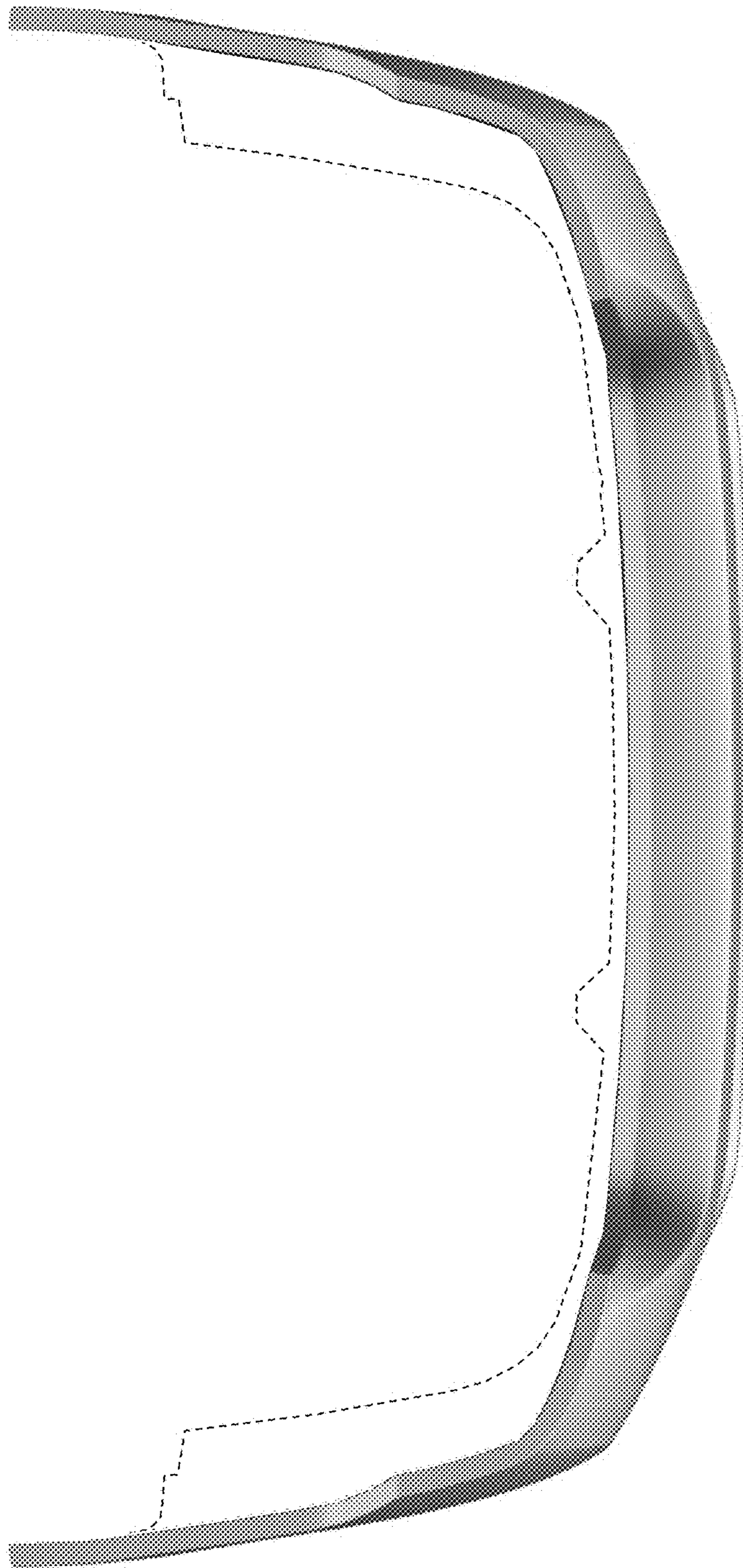


FIG. 2

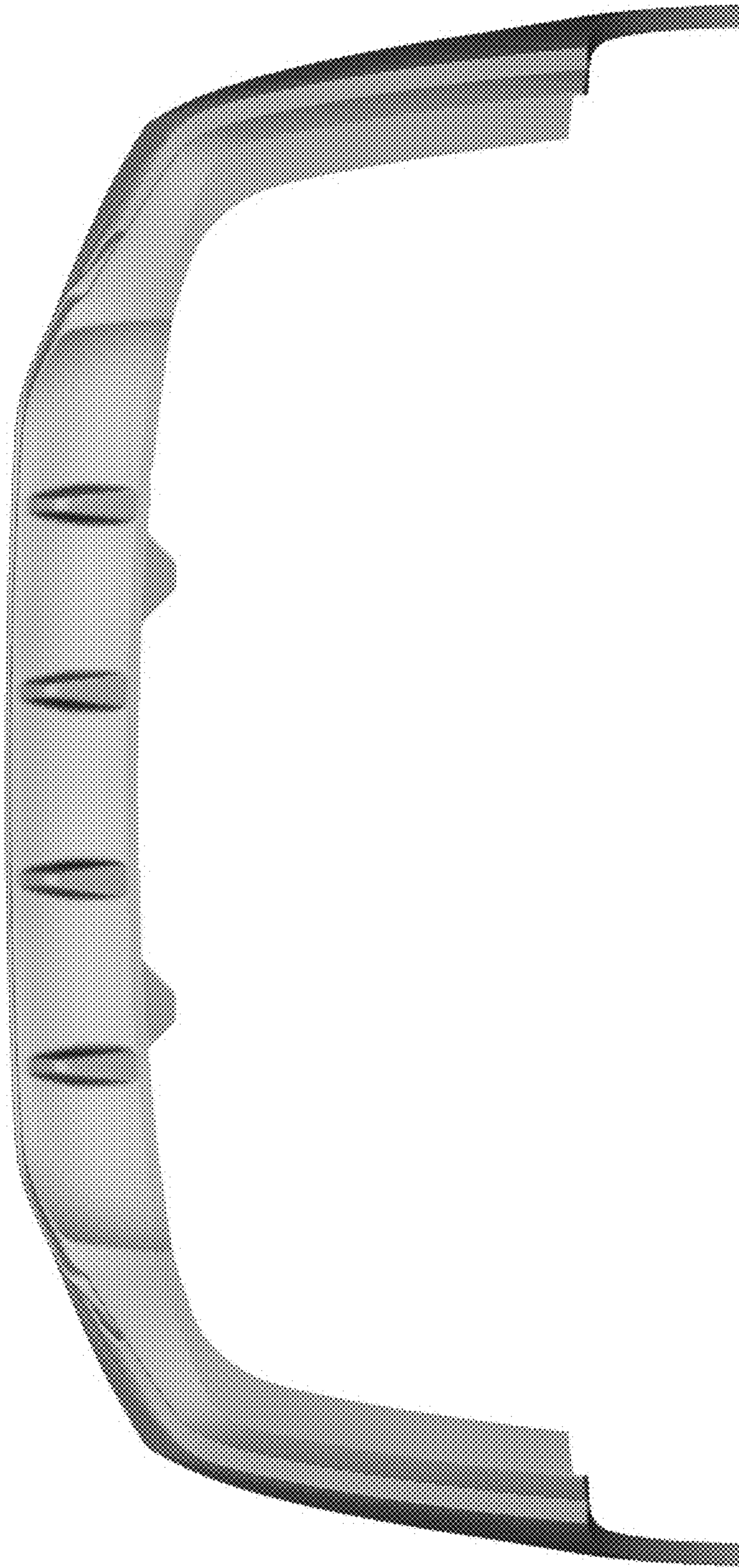


FIG. 3

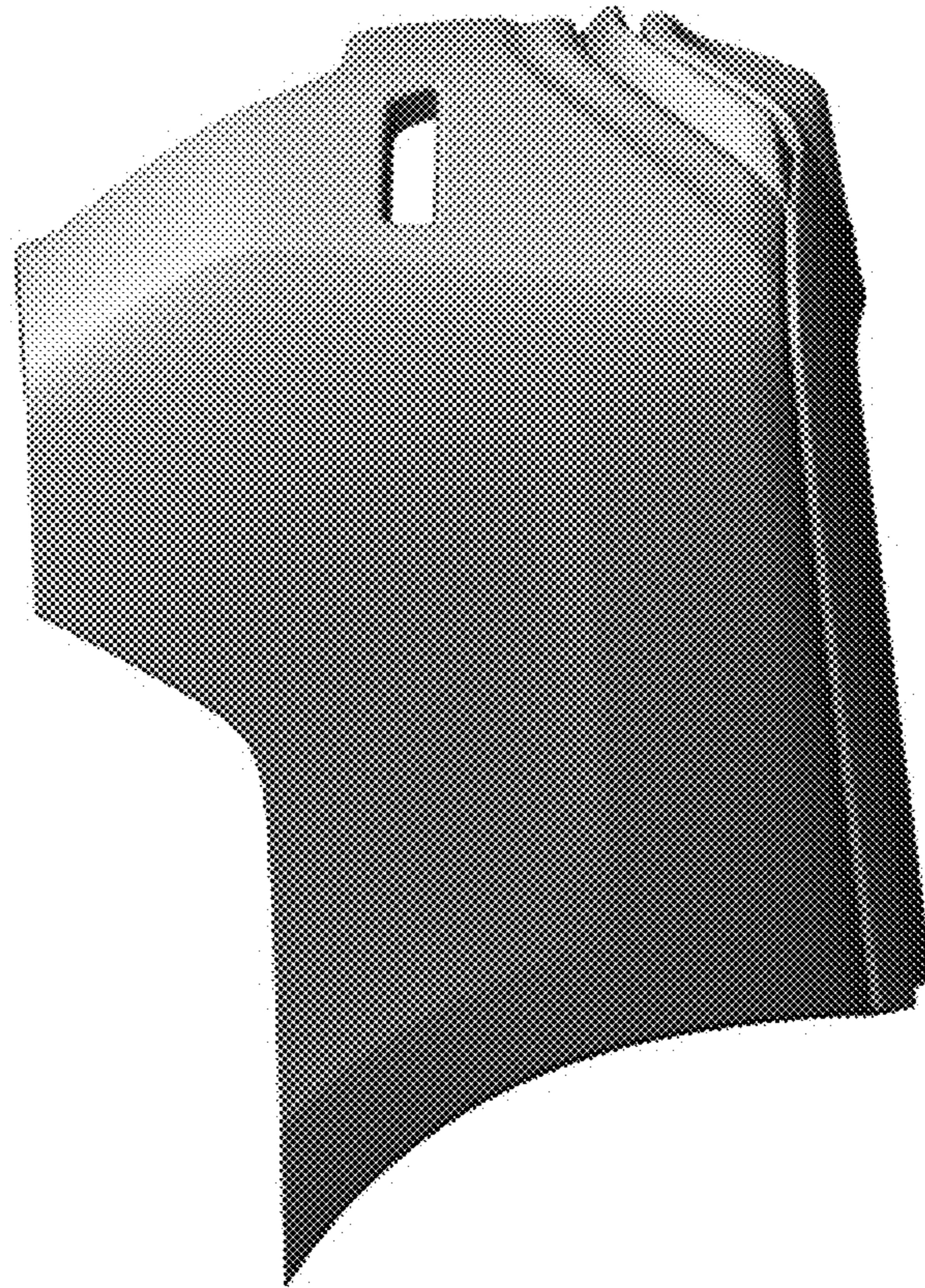


FIG. 4

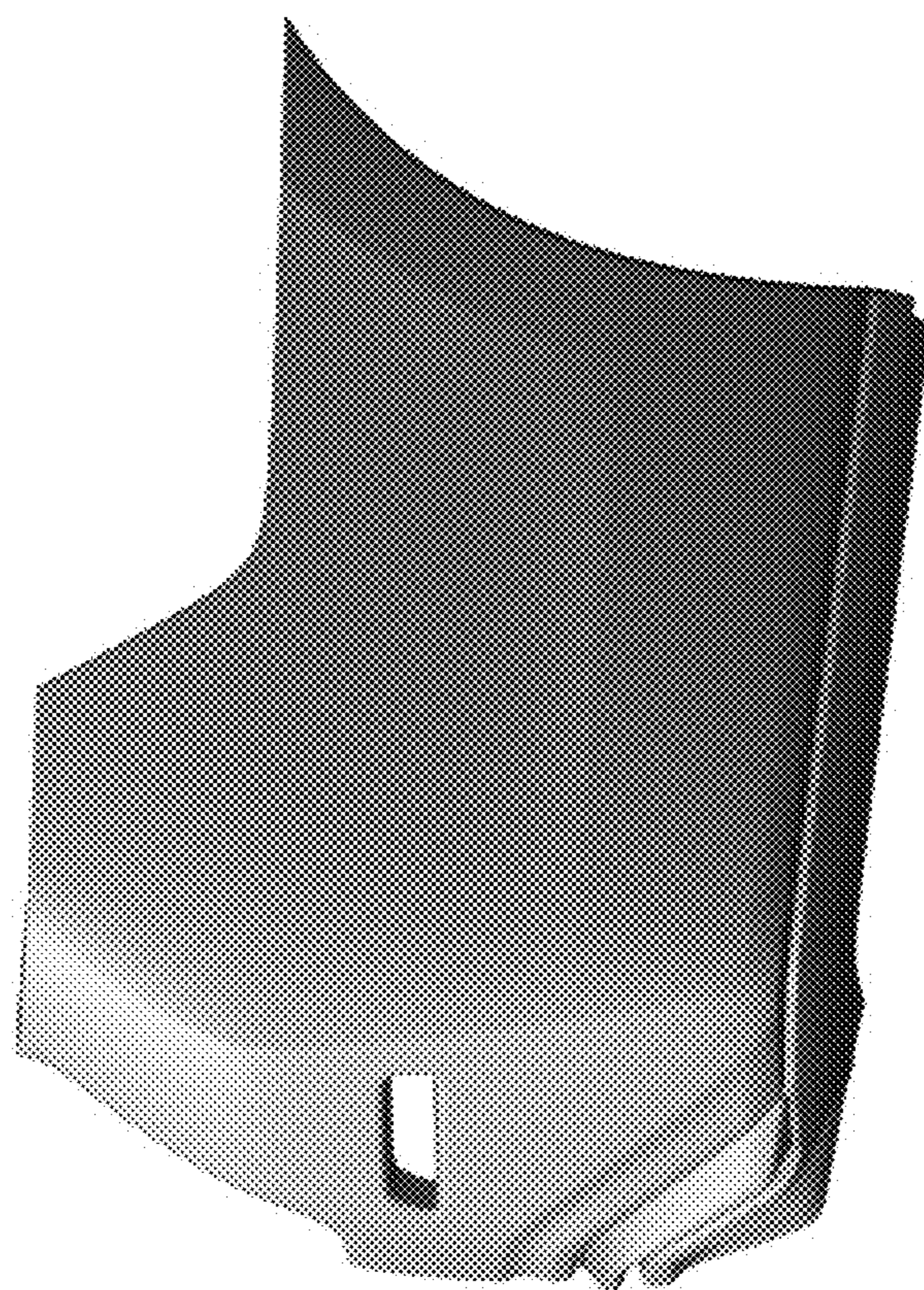


FIG. 5

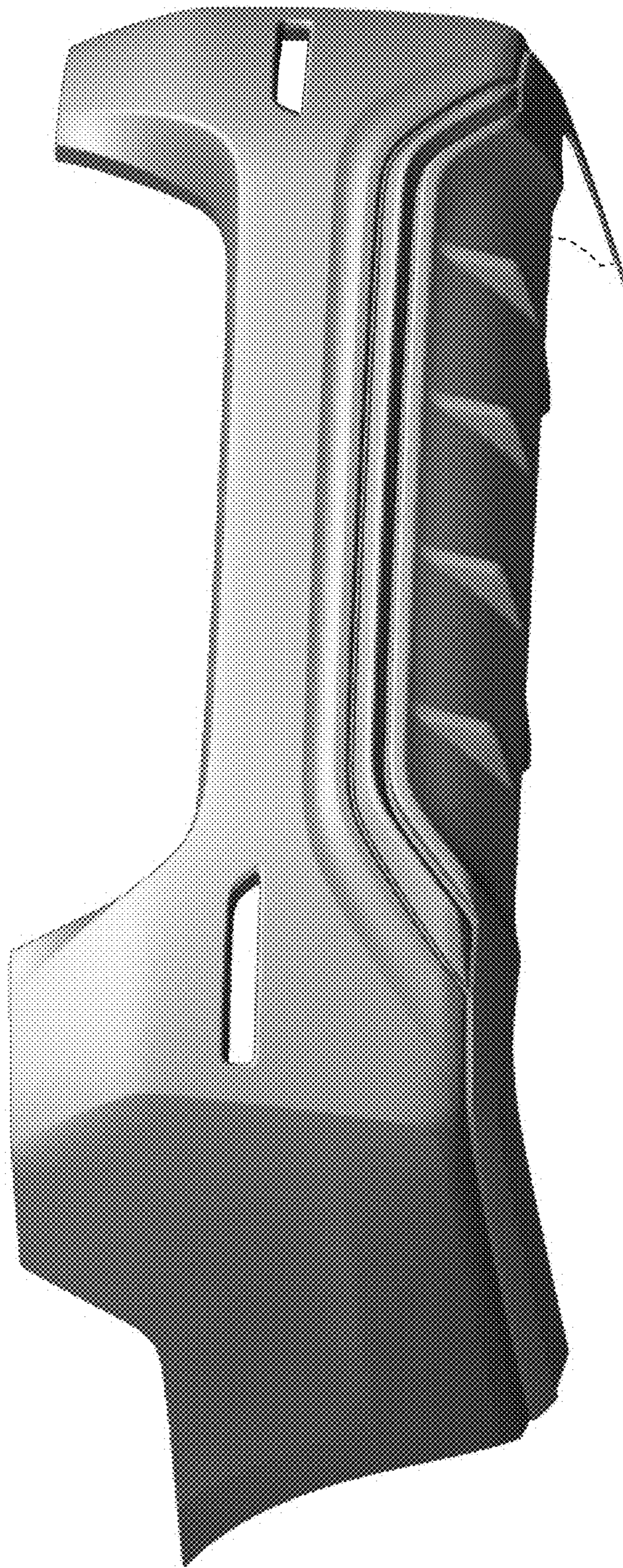


FIG. 6

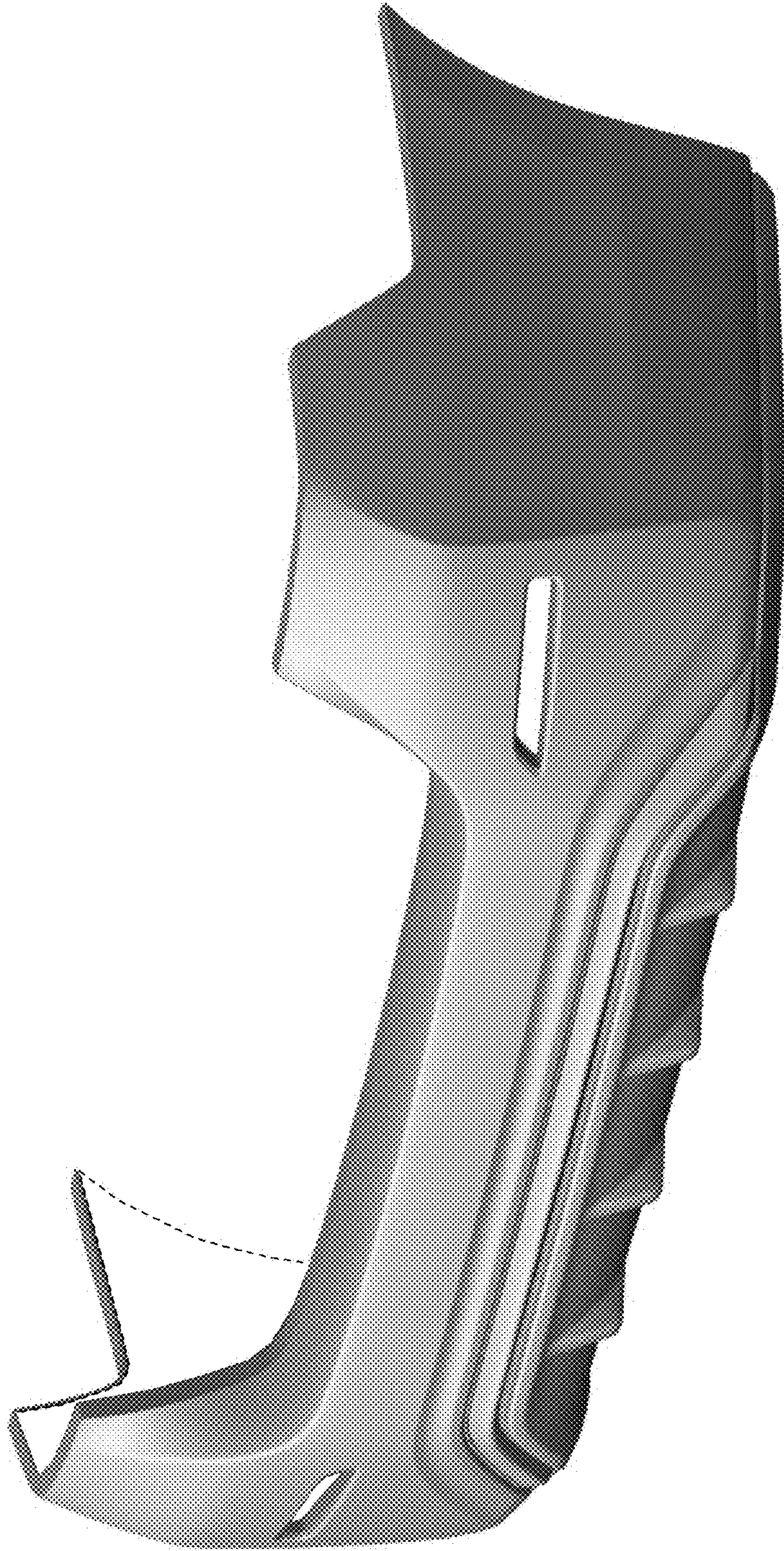


FIG. 7