



US00D854980S

(12) **United States Design Patent** (10) **Patent No.:** **US D854,980 S**
Bucher et al. (45) **Date of Patent:** **** Jul. 30, 2019**

(54) **VEHICLE REAR UPPER BUMPER COVER**

(71) Applicant: **Ford Global Technologies, LLC**,
Dearborn, MI (US)
(72) Inventors: **George Bucher**, Dearborn, MI (US);
Craig S. Metros, Bloomfield, MI (US);
Dean Carbis, Bloomfield Hills, MI
(US); **Steven Gilmore**, Farmington
Hills, MI (US); **Shawn Sung Yu**,
Canton, MI (US)

(73) Assignee: **Ford Global Technologies, LLC**,
Dearborn, MI (US)

(**) Term: **15 Years**

(21) Appl. No.: **29/632,027**

(22) Filed: **Jan. 4, 2018**

(51) **LOC (11) Cl.** **12-16**

(52) **U.S. Cl.**
USPC **D12/169**

(58) **Field of Classification Search**
USPC D12/169, 216, 90-92, 86, 171, 196, 163,
D12/190; 293/193.11; 296/180.1, 180.2;
180/68.1, 68.6
CPC B62D 25/08; B62B 9/16; B60K 11/08;
B60R 19/52; B60R 19/02; B60R 19/04
See application file for complete search history.

(56) **References Cited**

U.S. PATENT DOCUMENTS

D600,604 S * 9/2009 Lamm D12/169
D600,605 S * 9/2009 Lamm D12/169

D792,294 S * 7/2017 McCabe D12/169
D798,203 S * 9/2017 Shiu D12/169
D799,388 S * 10/2017 Smock D12/169
D807,801 S * 1/2018 Piscitelli D12/169
D815,572 S * 4/2018 Perkins D12/169
D818,402 S * 5/2018 Kawakami D12/169
D821,940 S * 7/2018 Platto D12/169

* cited by examiner

Primary Examiner — Melody N Brown

(74) *Attorney, Agent, or Firm* — Vichit Chea

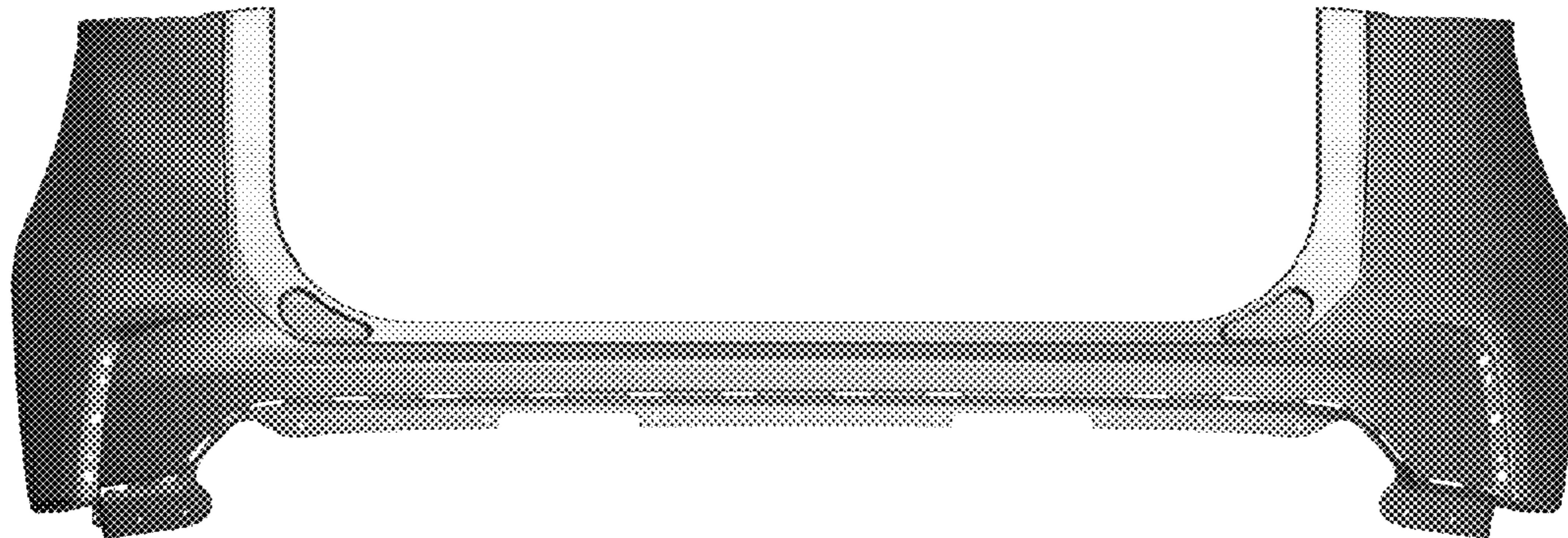
(57) **CLAIM**

The ornamental design for a vehicle rear upper bumper cover, as shown and described.

DESCRIPTION

FIG. 1 is a front elevational view of a vehicle rear upper bumper cover, showing our new design;
FIG. 2 is a rear elevational view thereof;
FIG. 3 is a left side elevational view thereof;
FIG. 4 is a right side elevational view thereof;
FIG. 5 is a top plan view thereof;
FIG. 6 is a bottom plan view thereof;
FIG. 7 is a top, front, and left side perspective view thereof;
FIG. 8 is a bottom, front, and left side perspective view thereof; and,
FIG. 9 is a top, rear, and left side perspective view thereof.

1 Claim, 9 Drawing Sheets



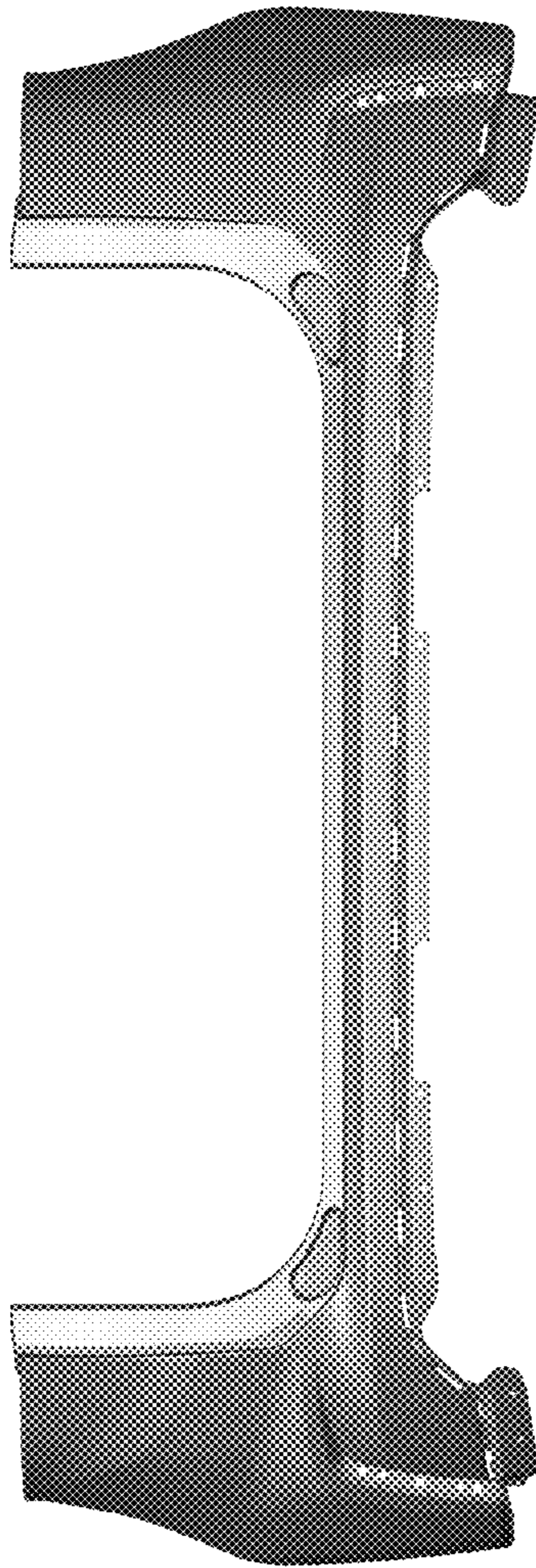


FIG. 1

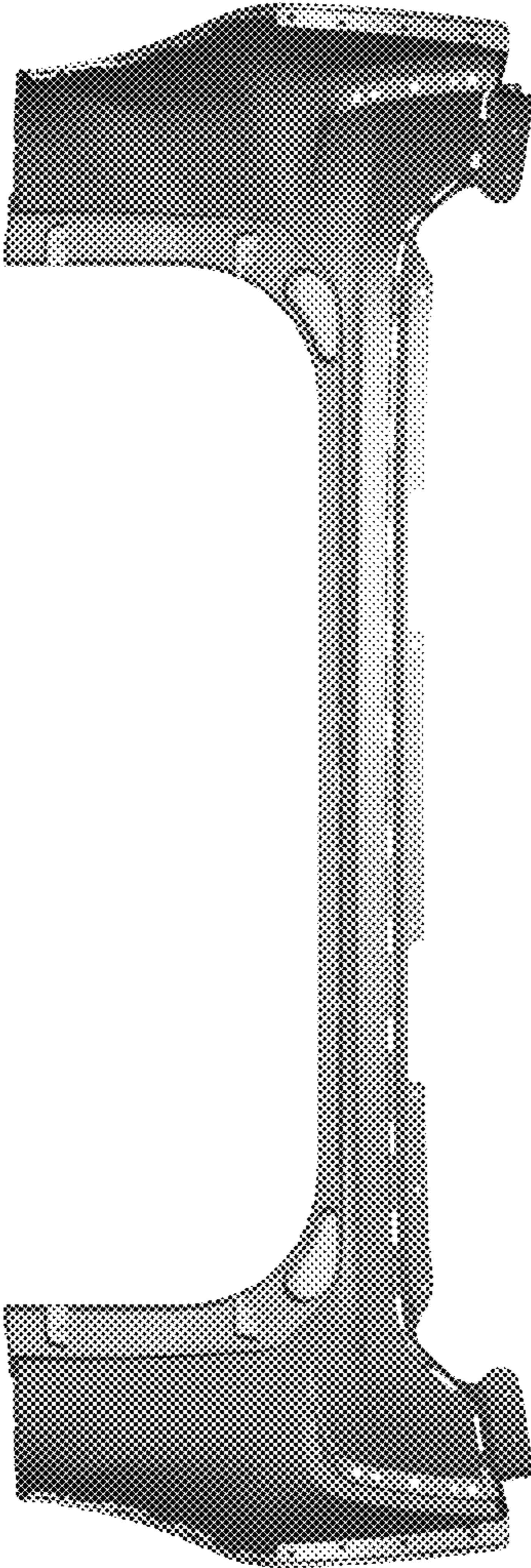


FIG. 2

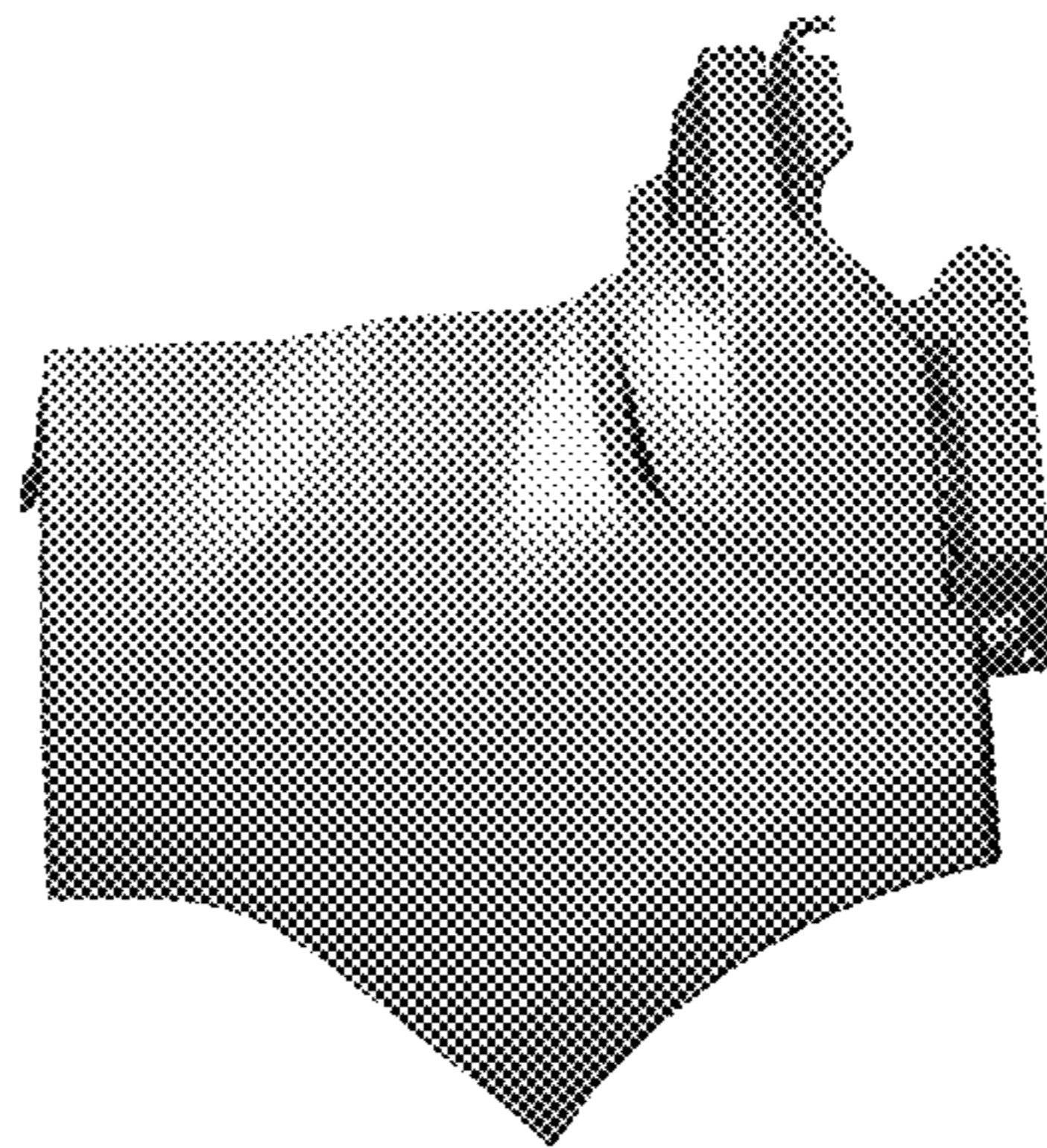


Fig. 3

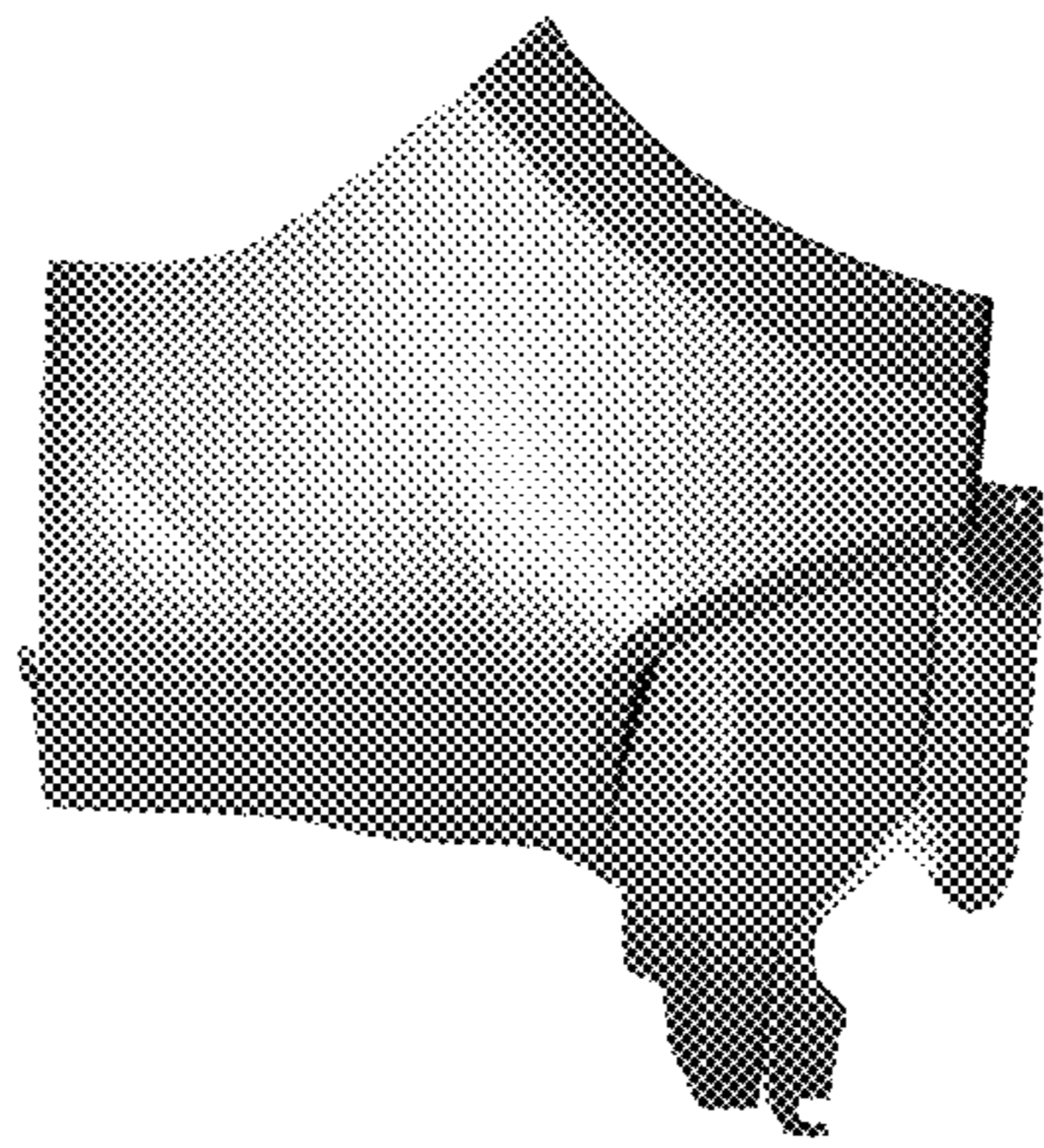


Fig. 4

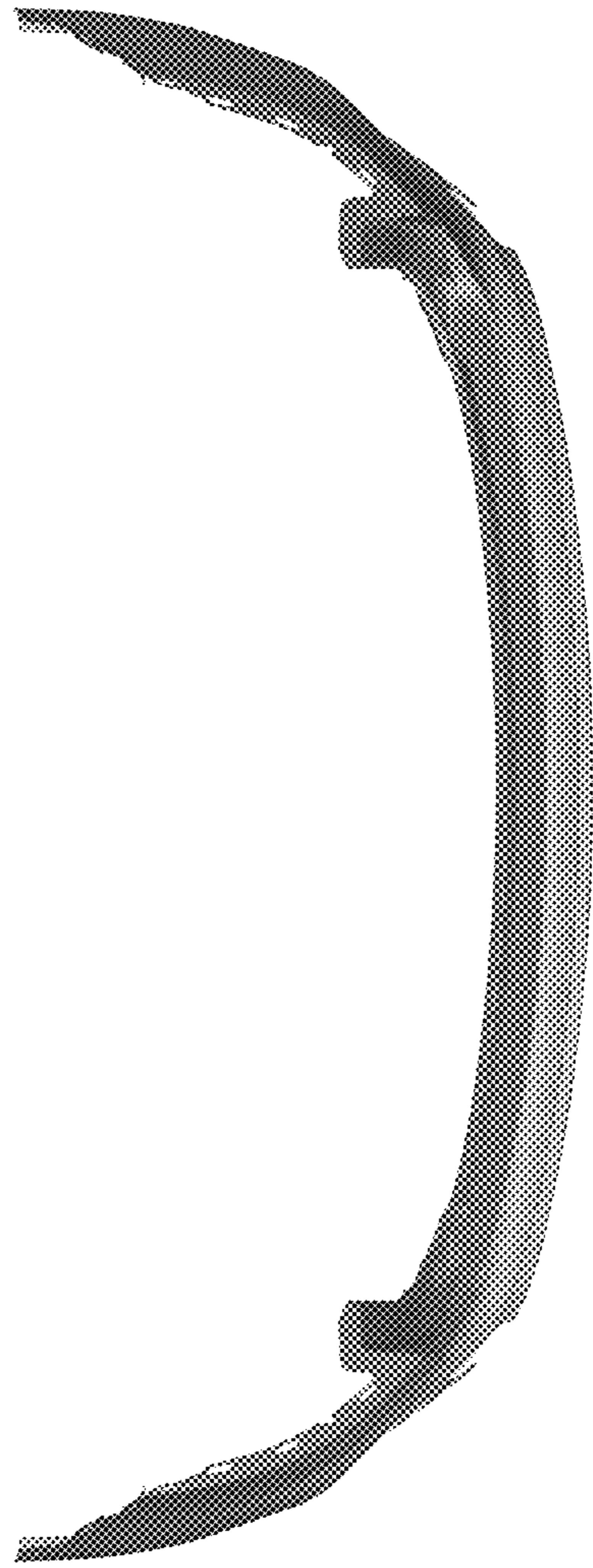


Fig. 5

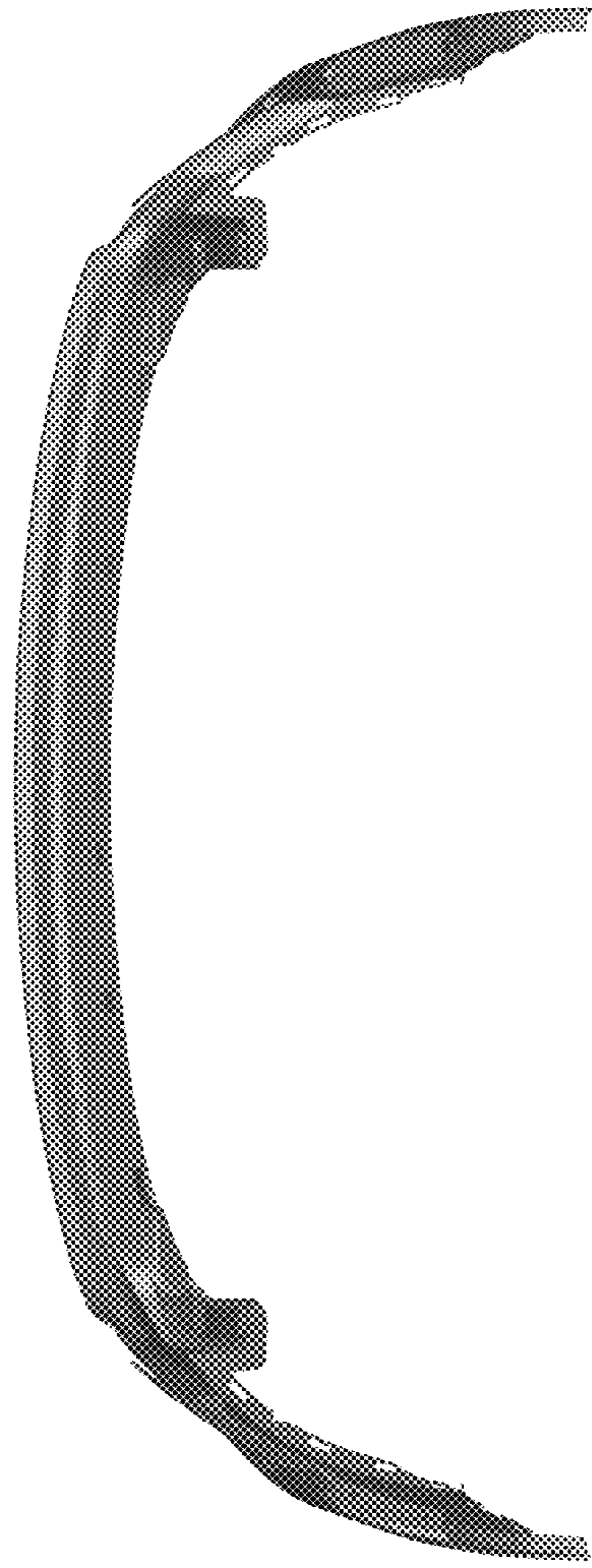
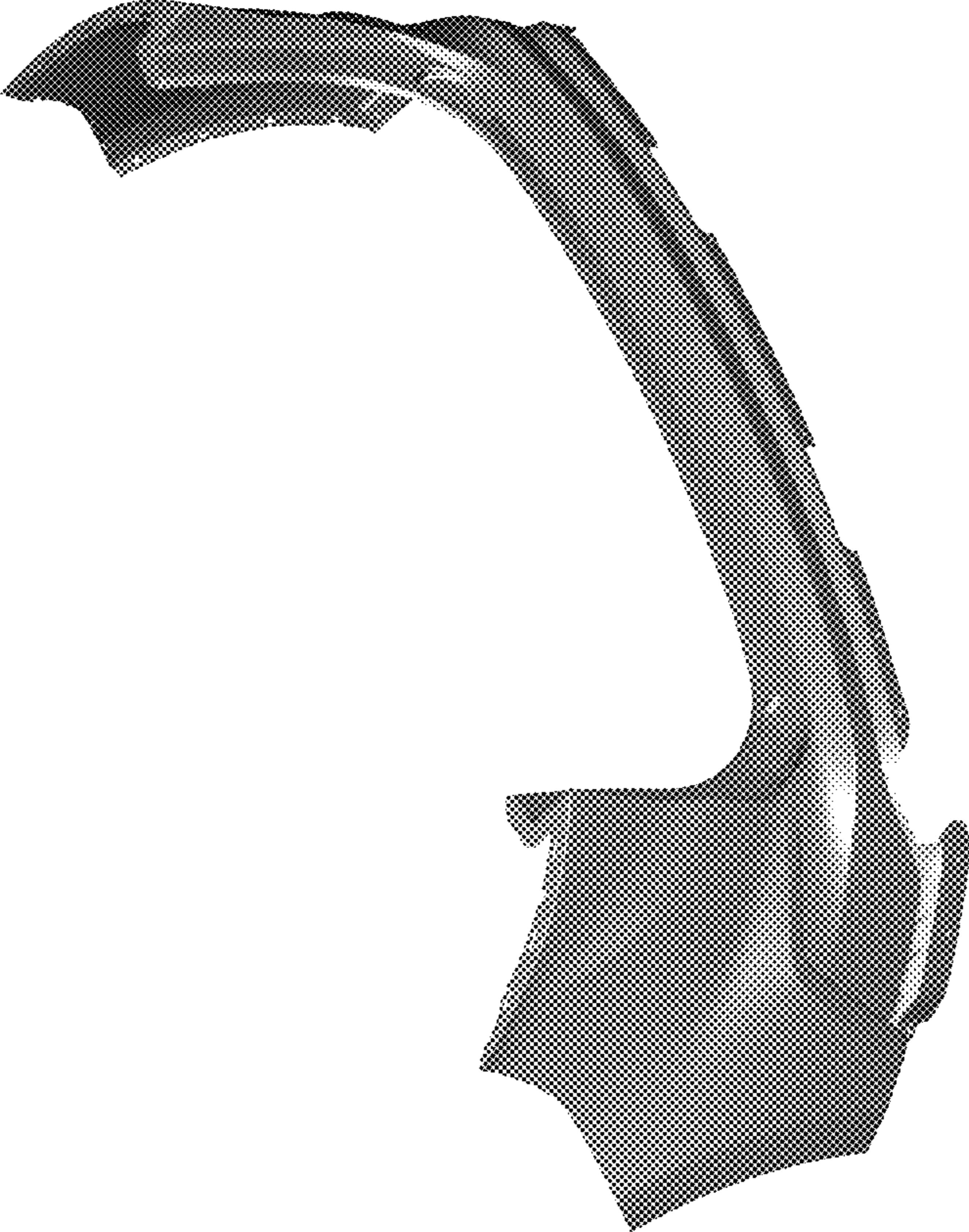


Fig. 6

Fig. 7



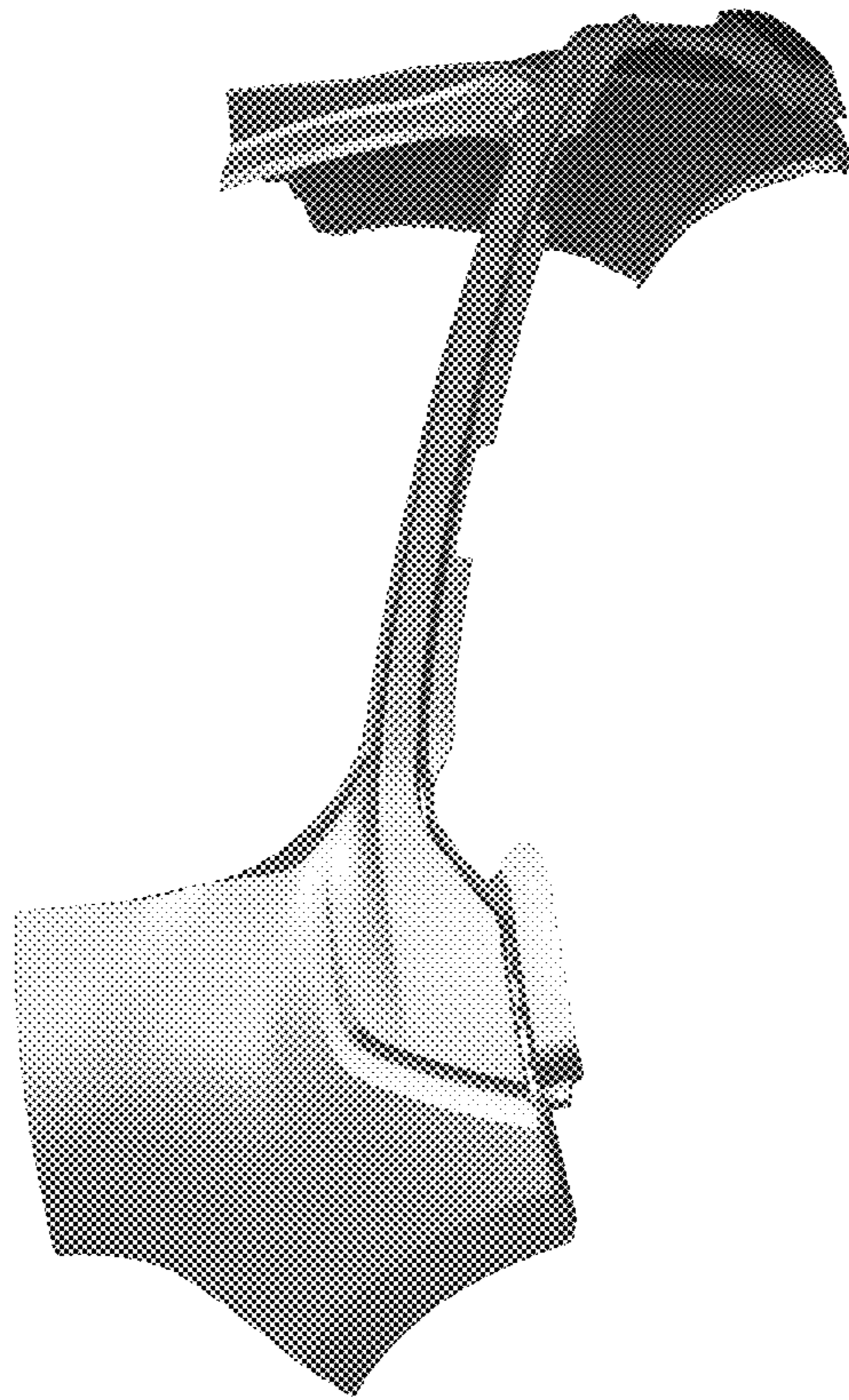


Fig. 8

Fig. 9

